

User Manual

Video Projector

EN DE FR
IT ES JP

LC350

Contents

EN

| | |
|--------------------------------------|----|
| Attentions | 2 |
| Keys Introduction | 3 |
| Machine buttons | |
| Remote controller | |
| Operation | 5 |
| Connection Instructions | 7 |
| Select an input source | |
| Multimedia connection | |
| HDMI device connection | |
| VGA input (PC) connection | |
| AV video device connection | |
| Audio devices connection | |
| Main Menu | 13 |
| Specifications | 14 |
| Basic parameters | |
| Projection distance and screen size | |
| Warranty | 16 |

Attentions

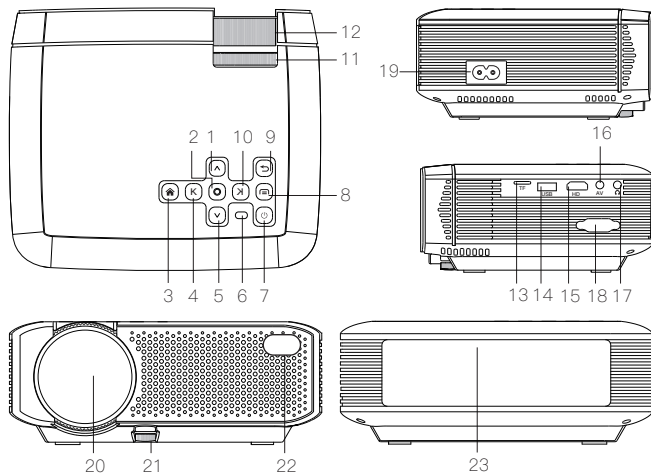
EN

- Please use the included power cord to power the machine.
- It is normal that this machine produces heat during operation.
- When cleaning up the lens, please use a lens cleaner or special lens wipe paper.
- Do not look straight into the projector lens while it is working, as it may burn your eyes.
- Do not place the machine in a hot or humid place, as it may lead to internal components break down.
- Do not disassemble this machine. Our company will not cover warranty services for man-made damage.
- Please contact seller for technical support when having product problem. Contact details is revealed at the end of this manual.

Keys Introduction

Machine buttons

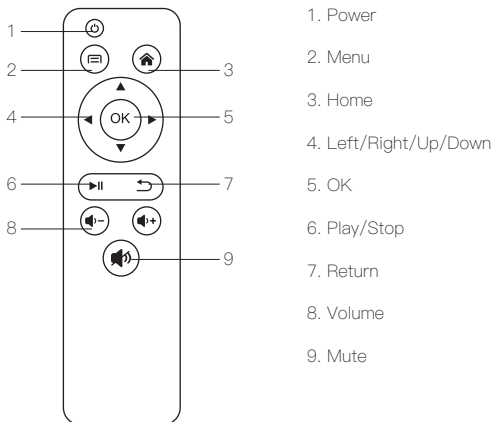
EN



- | | | |
|-----------------|--------------------|---------------------------|
| 1. Up | 9. Return | 17. Audio Output |
| 2. OK | 10. Right | 18. VGA Input |
| 3. Home | 11. Keystone Wheel | 19. Power Input |
| 4. Left | 12. Focus Wheel | 20. Lens |
| 5. Down | 13. TF Card Slot | 21. Height Adjustment Nut |
| 6. Indicator | 14. USB Input | 22. IR Lamp |
| 7. Power Switch | 15. HDMI Interface | 23. Speaker |
| 8. Menu | 16. AV Input | |

Remote Controller

EN

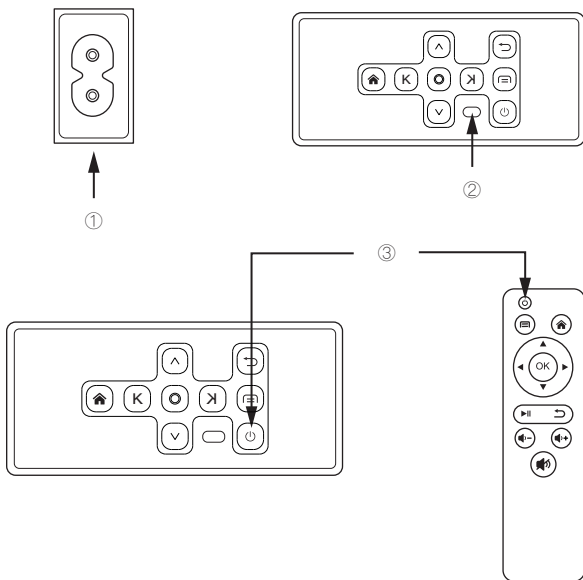


- Notes:**
1. Do not combine new batteries with old ones in remote controller, which can cause operation failure due to insufficient power supply.
 2. When using the remote controller, please make sure that the signal transmitter of the remote controller aims at infrared signal receiver of the projector.
 3. If you are not using the remote controller for an extended period, please take out batteries to prevent battery leakage.

Operation

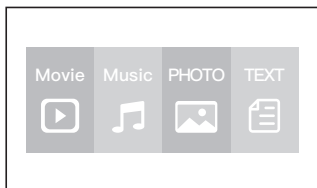
EN

- As shown in Picture 1, connect the included AC power cord to the power input port of the projector.
- As shown in Picture 2, projector gets into standby as the indicator on the top of the projector lighted up in red.
- As shown in Picture 3, turn on the projector by pressing the power switch button or remote controller. Start-up succeeds, indicator turns blue.

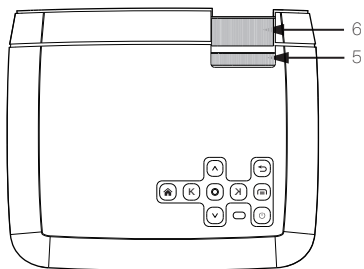


- As shown in Picture 4, main screen appears after starting up.

EN



- As shown in Picture 5 and 6, adjust keystone correction and lens focus thumb wheels until you have a clear picture.

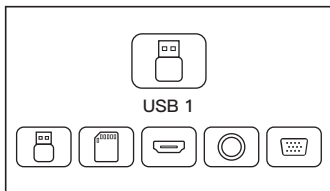
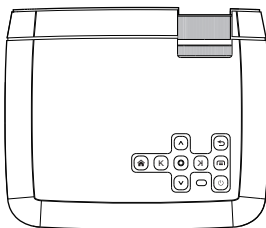
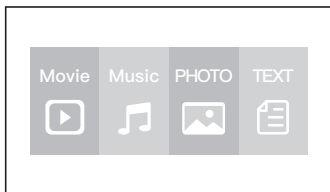


Connection Instructions

EN

Select an input source.

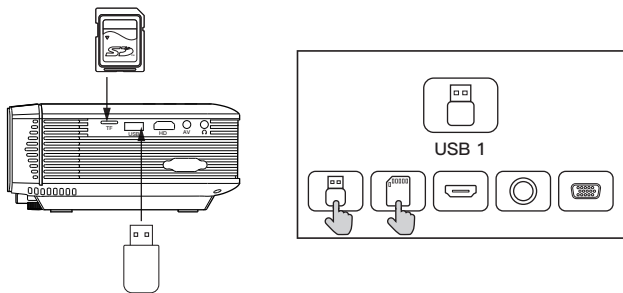
- 1. When projector turns on, main screen appears as shown below. Video, Music, Picture, and Text files are available.
- 2. You can choose USB/TF/HDMI/VGA/AV different sources in, by touch "  " at projector touch panel, or remote controller.
- 3. You can connect different devices with the projector , according to the following connection instruction.



Multimedia connection

EN

- Put USB / Micro SD card into corresponding ports (as shown in picture).
- Select "Video", "Music", "Picture", or "Text" to enter the content you want to play.

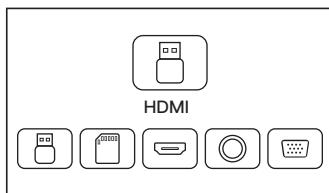
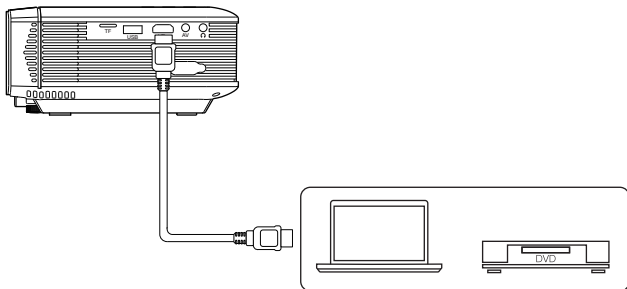


| File Type | Format |
|-----------|------------------------------|
| Video | MP4/AVI/WMV/RMVB |
| Music | MP3/WMA/OGG/AAC/FLAC/APE/WAV |
| Picture | JPEG/BMP/PNG |
| Text | .txt |

HDMI device connection

Projector can connect to devices with HDMI output function. Compatible with Laptop, DVD players, Blu-ray players, Chromecast, TV Stick, and etc.. HDMI cable is included.

EN



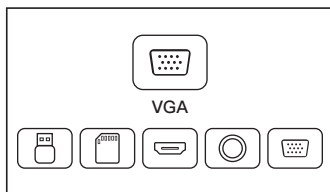
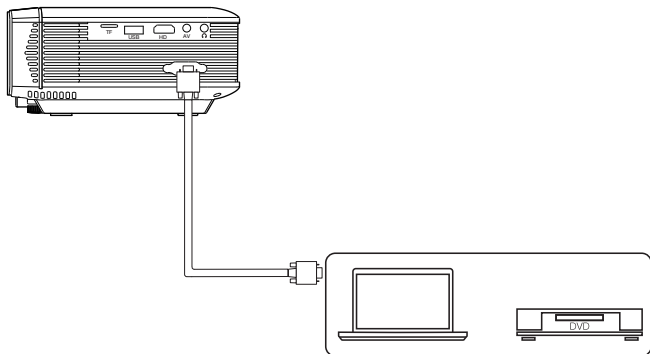
VGA input (PC) connection

EN

Use an universal VGA cable(not included) to connect the projector with computer and other devices with VGA signal output function.

For most of the Windows 7 computers, press [Windows]+[P] to make projection.

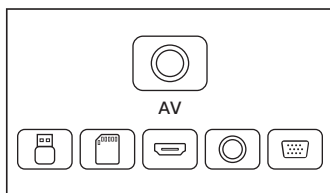
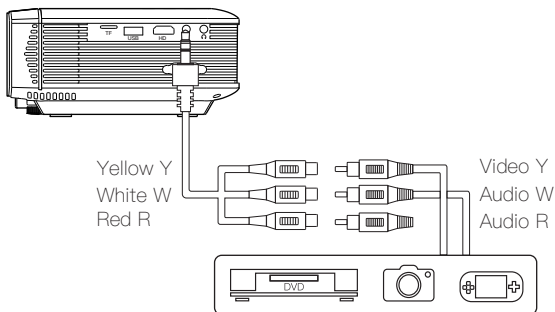
For other Windows computers, Google or contact your computer service center for projection instruction.



AV video device connection

Connect the projector AV interface with 3 in 1 AV cable (included) , as shown in pictures.

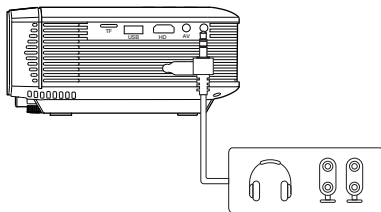
EN



Audio devices connection

EN

It can connect to headphone and wired audio equipment with 3.5mm jack (not included).



Tip: Due to Dolby copyright, this model does not support Dolby audio decoding currently.

Main Menu

EN

You can adjust projector settings in projector main menu. Touch menu key on projector panel or remote controller.

Picture:

Picture Mode, Aspect Ratio, Flip.

Sound:

Sound Mode, Balance, Auto Volume, Surround Sound.

Time:

Clock, Off Time, On Time, Sleep Timer, Auto Sleep.

Option:

OSD Language, Restore Factory Default, Software Update(USB).

Specifications

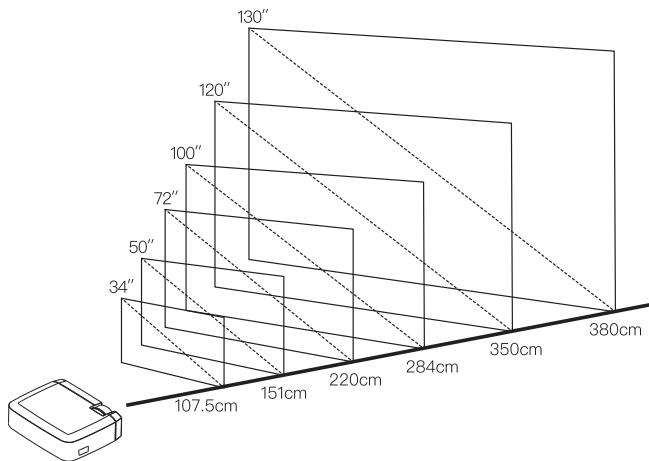
EN

Basic parameters

| | |
|------------------------|------------------------------------|
| Imaging Technology | 4.0 "LCD |
| Maximum Resolution | 1080P Supported |
| Light Source | LED |
| Lens Life | 45000 Hours |
| Lens Specifications | Multi-coated lens f=125 |
| Speakers Included | Built-in Dual Speaker, 2*3W |
| Aspect Ratio | 4:3/16:9 |
| Projection Size | 34-180 inches |
| Connectors | HDMI/USB/VGA/TF/AV/Audio |
| Input Voltage (V): | 110V-240V ($\pm 10\%$) , 50-60Hz |
| Power Consumption (W): | 55W(MAX) |

Projection distance and screen size

EN



Warranty

EN

This product carries a one-year warranty from purchase date.

Please feel free to let us know what we can do to assist you when you have any product problem.

Apeman customer service email addresses: