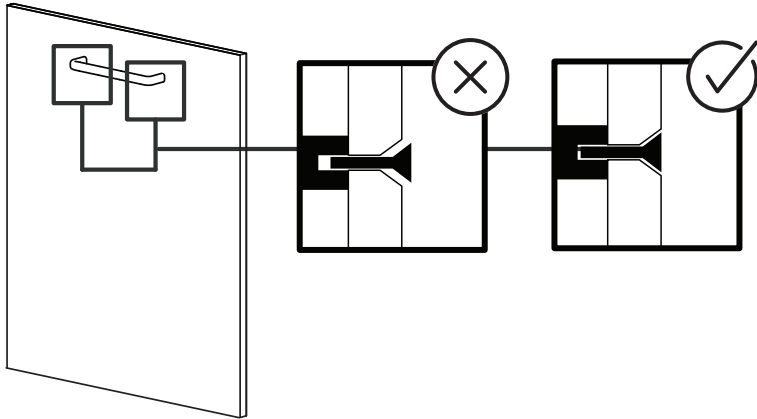
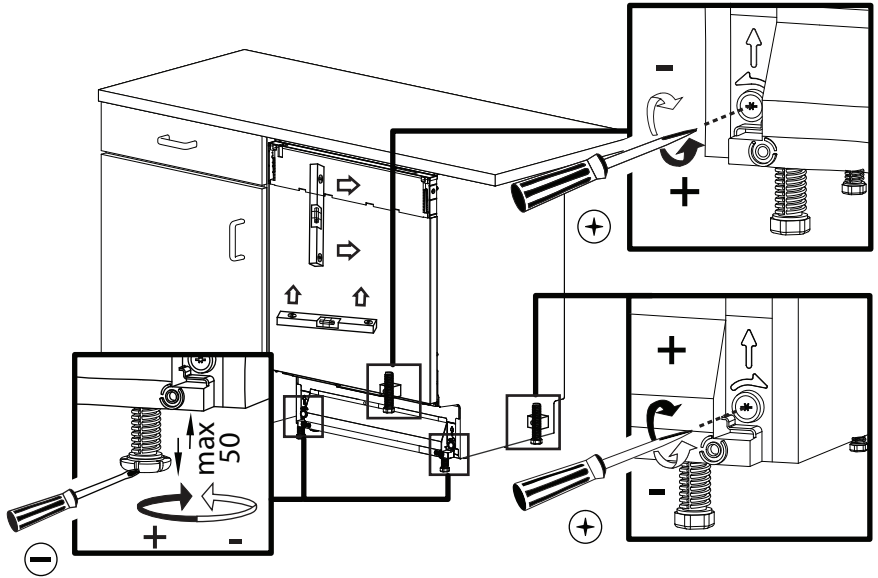
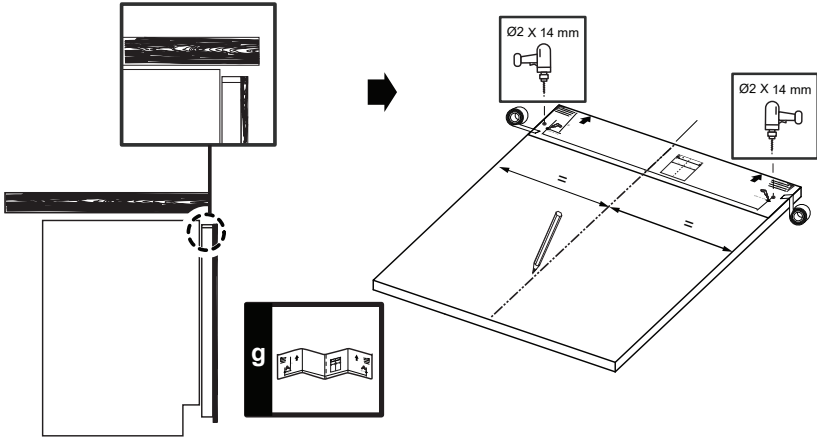
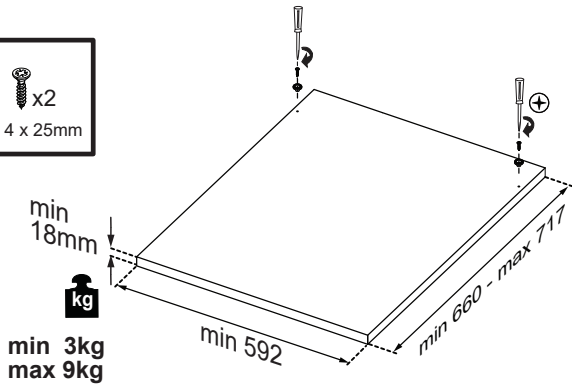
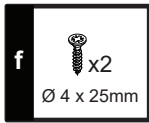
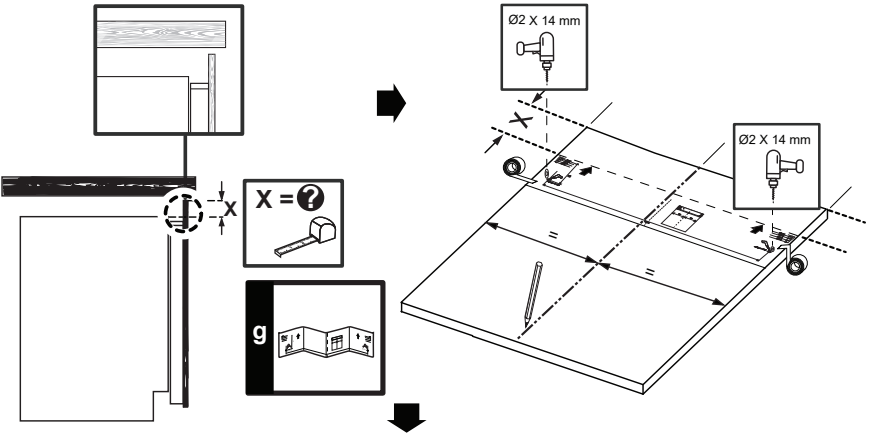


5

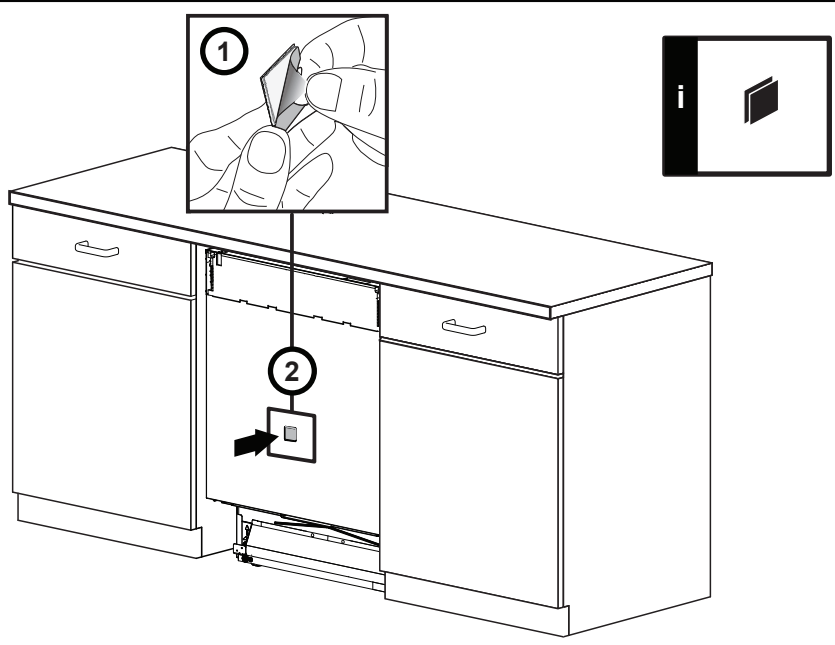




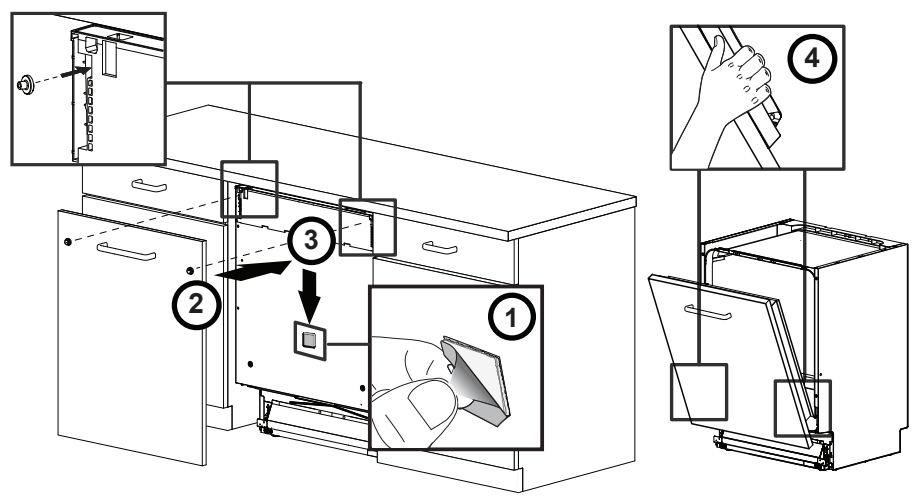
6

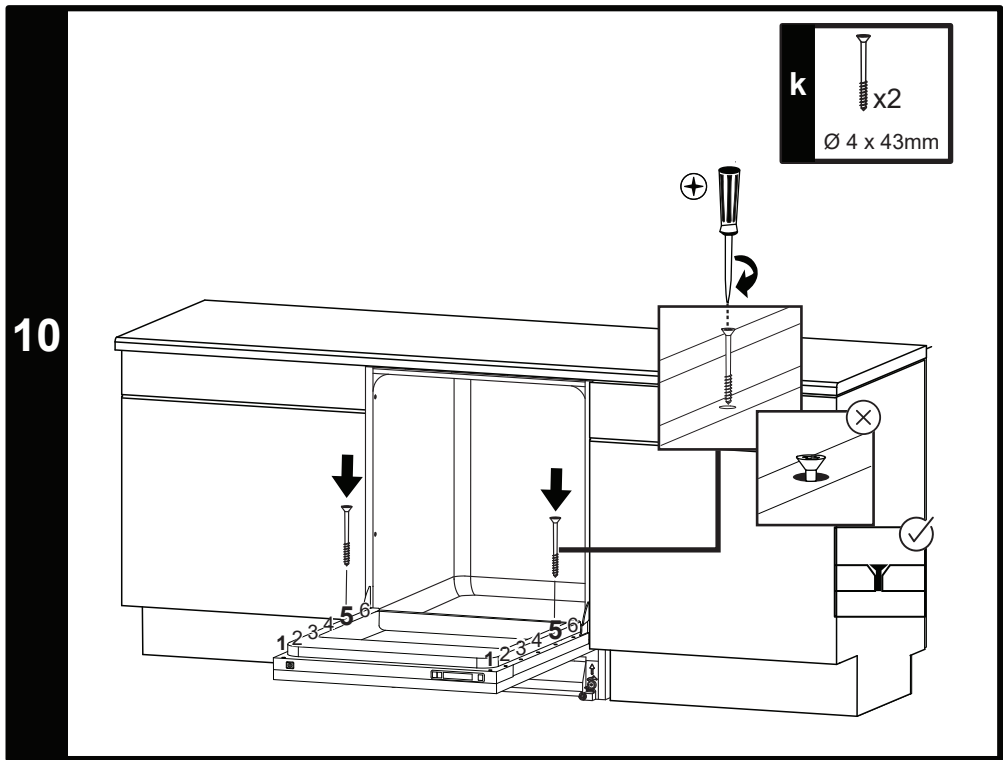
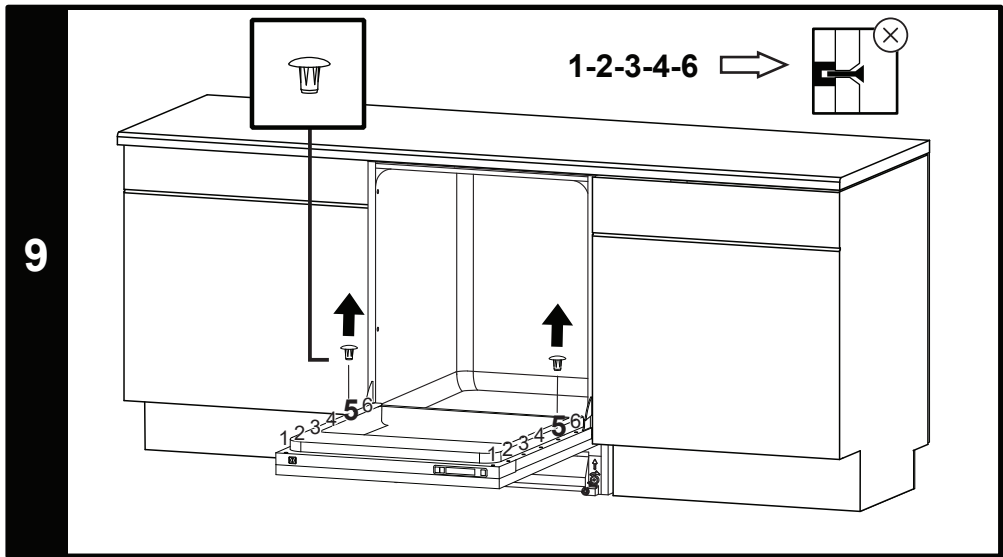


7

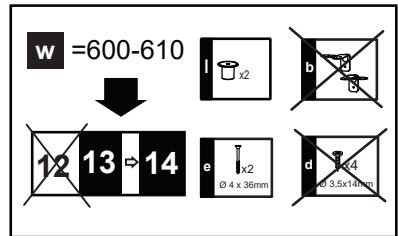
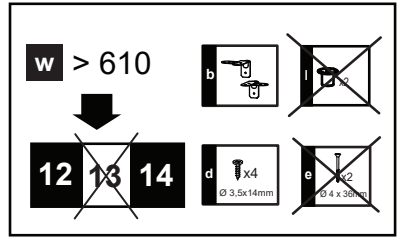
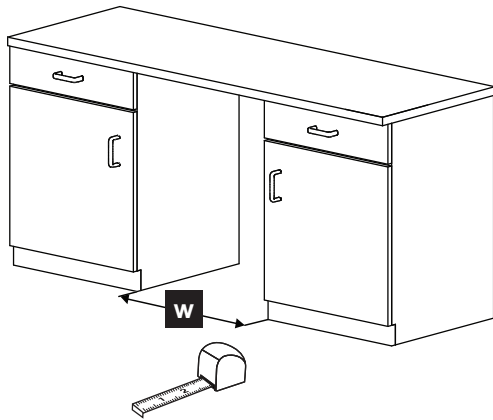


8

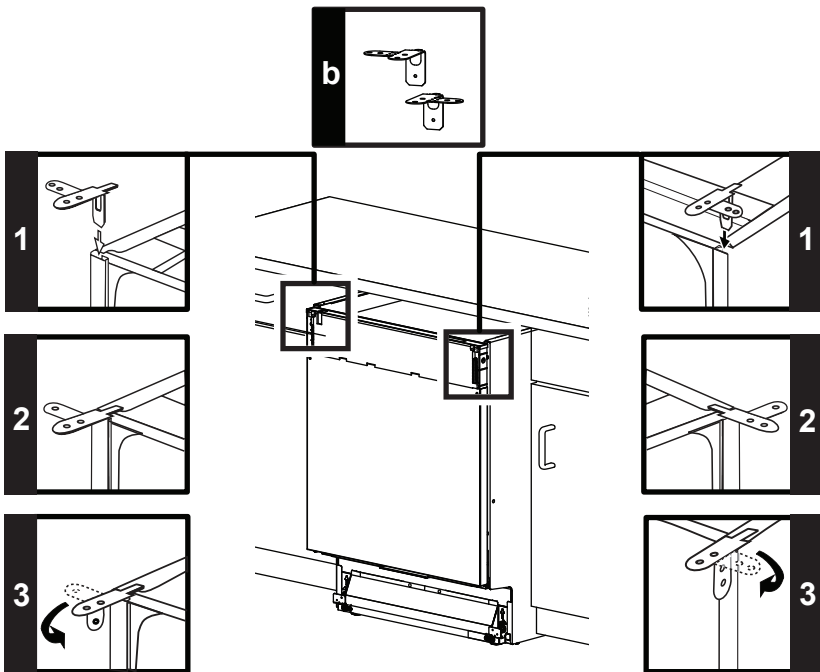




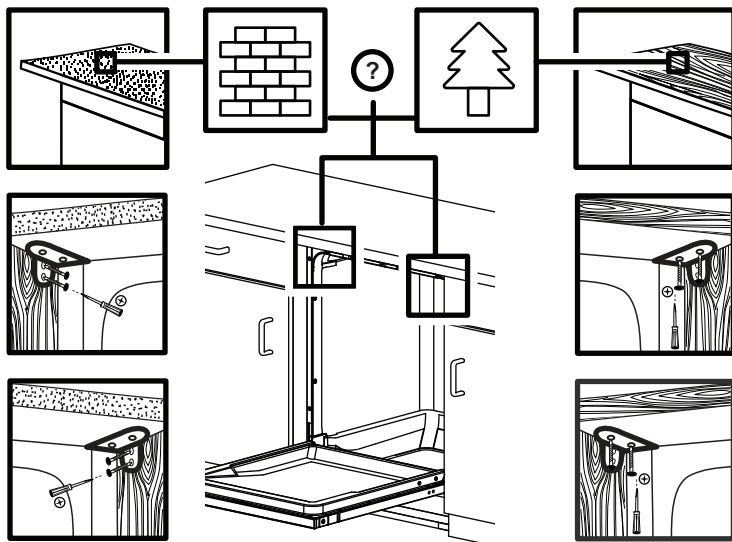
11
⚠




12
a

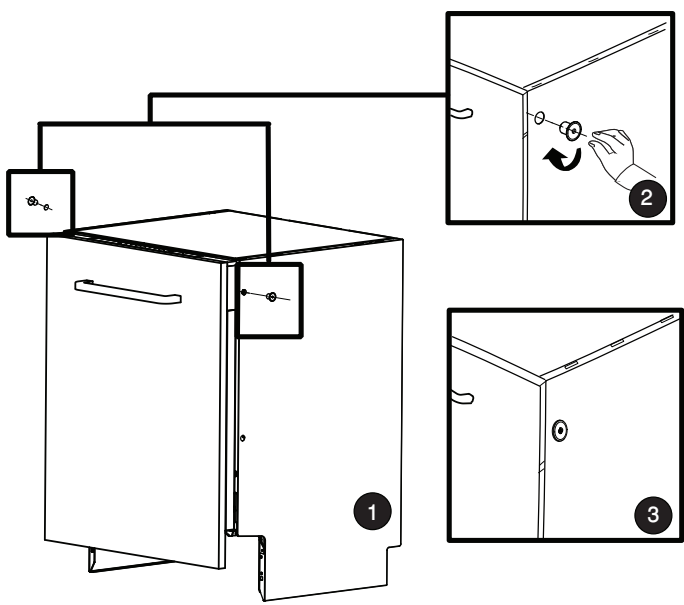



12
-
b

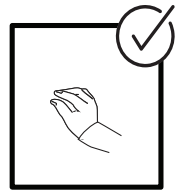
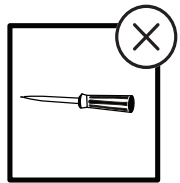


d  x4
Ø 3,5x14mm

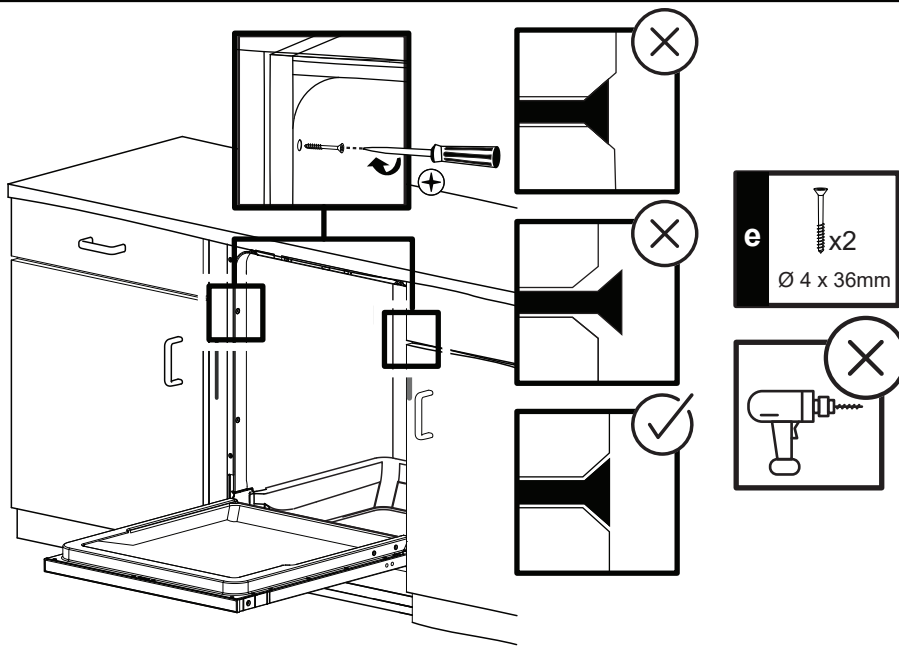
13
-
a



 x2



13
b



14

