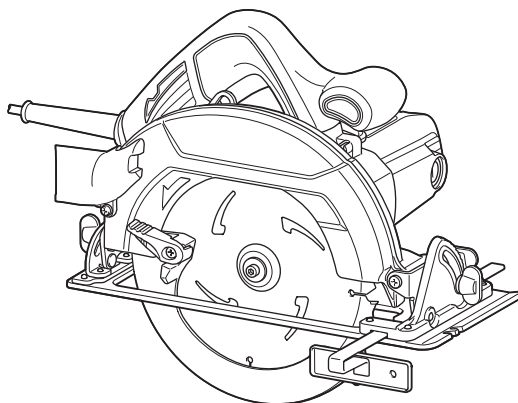
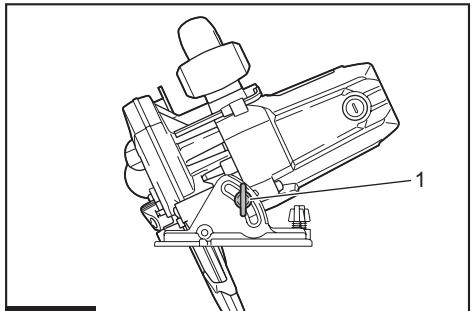
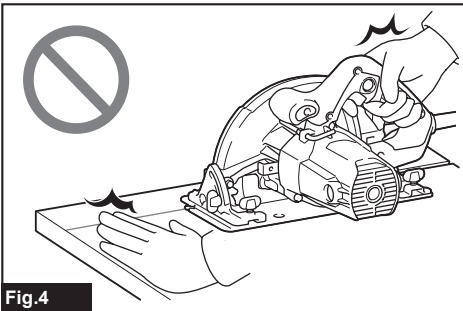
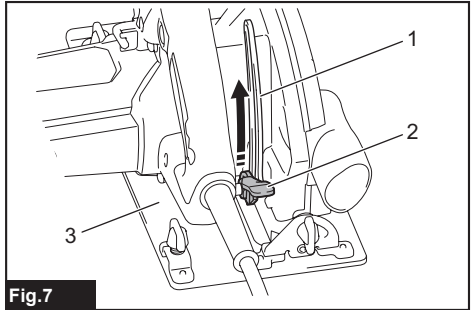
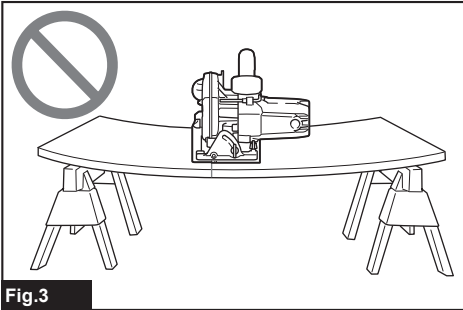
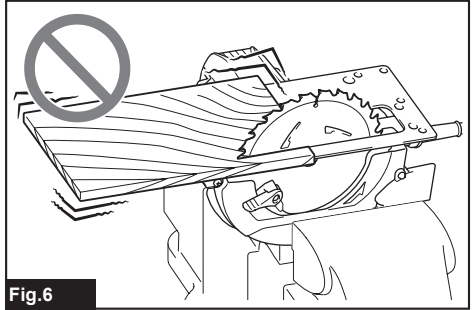
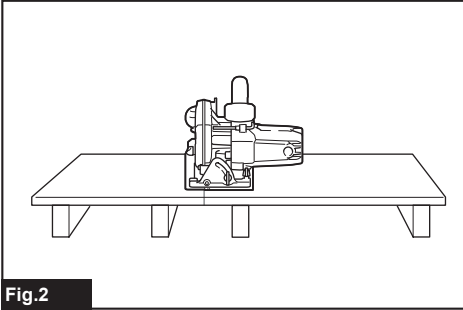
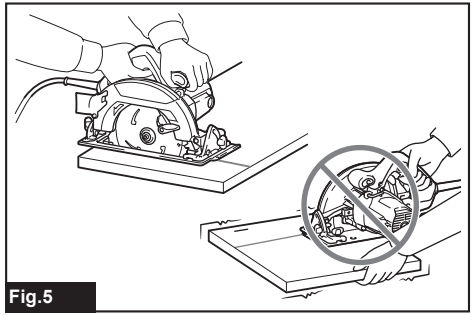
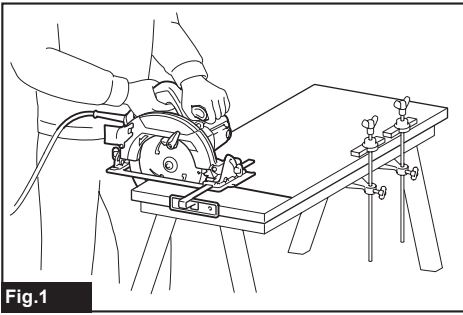




EN	Circular Saw	INSTRUCTION MANUAL	6
PL	Ręczna Pilarka Tarczowa	INSTRUKCJA OBSŁUGI	12
HU	Körfűrész	HASZNÁLATI KÉZIKÖNYV	19
SK	Kotúčová píla	NÁVOD NA OBSLUHU	26
CS	Okružní pila	NÁVOD K OBSLUZE	32
UK	Циркулярна пила	ІНСТРУКЦІЯ З ЕКСПЛУАТАЦІЇ	38
RO	Ferăstrău circular	MANUAL DE INSTRUCȚIUNI	45
DE	Handkreissäge	BETRIEBSANLEITUNG	51

HS7611





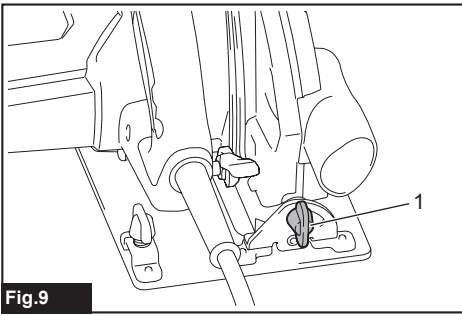


Fig.9

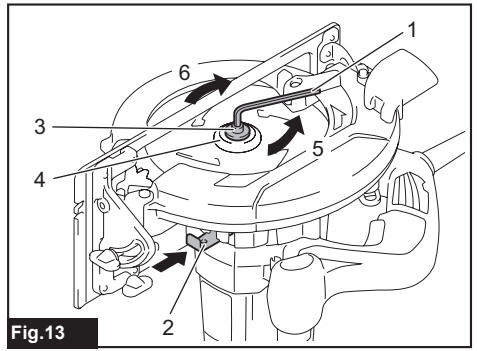


Fig.13

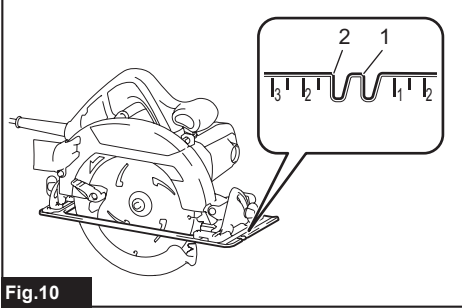


Fig.10

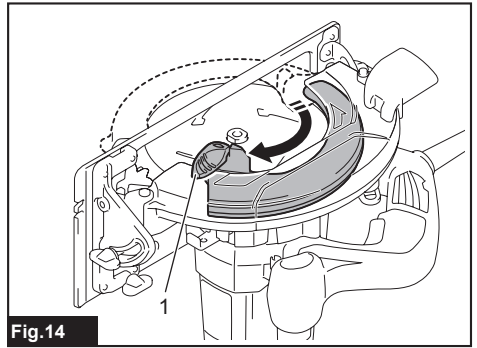


Fig.14

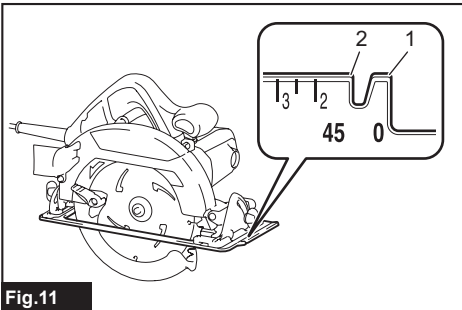


Fig.11

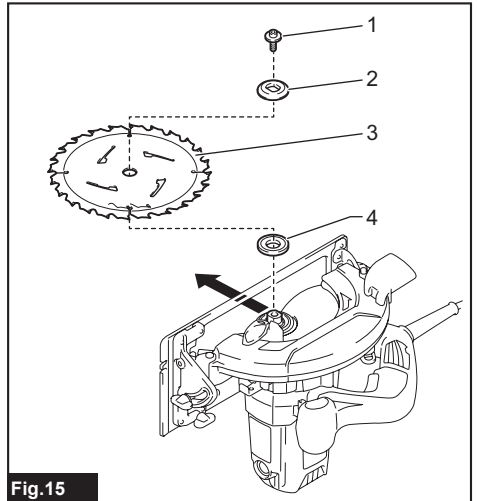


Fig.15

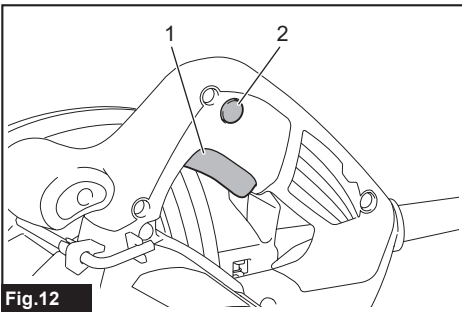


Fig.12

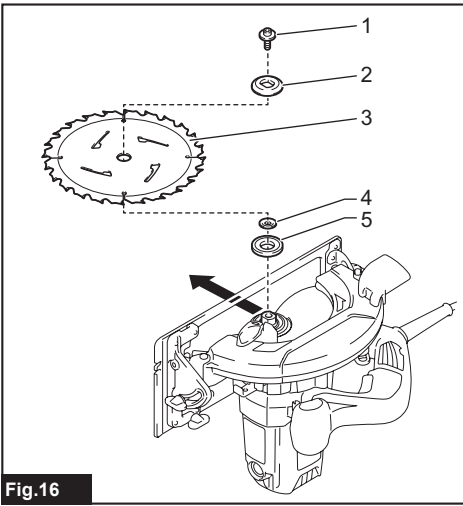


Fig.16

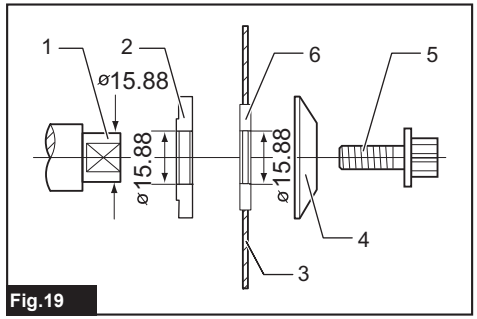


Fig.19

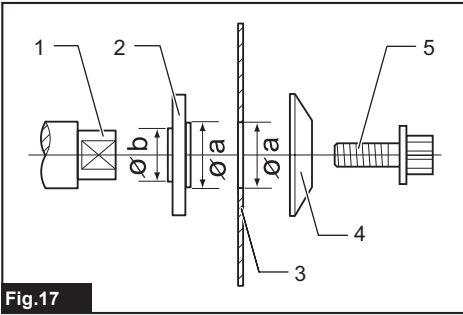


Fig.17

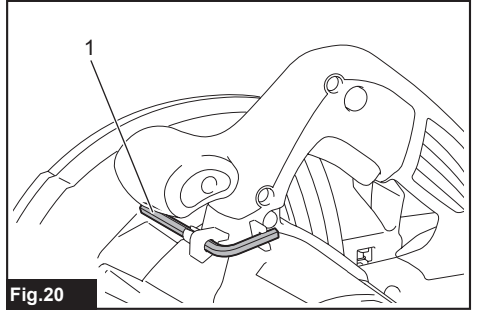


Fig.20

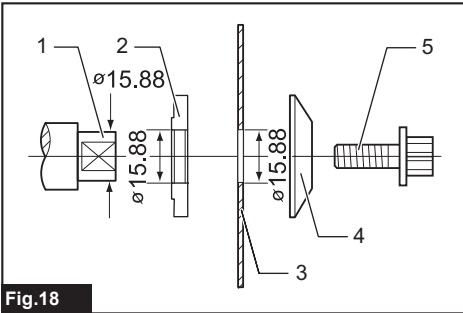


Fig.18

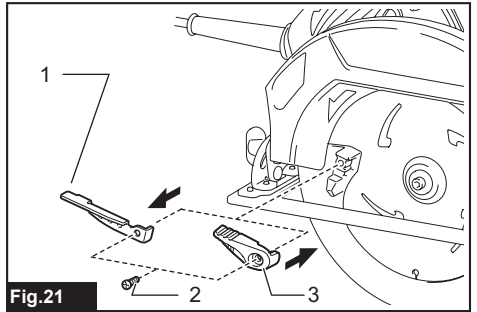


Fig.21

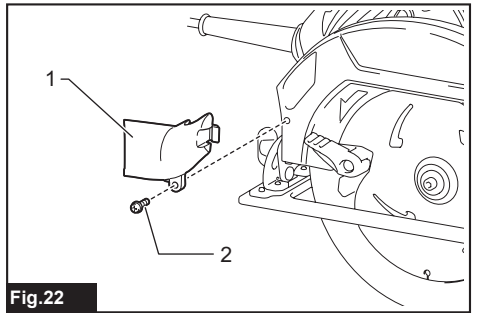


Fig.22

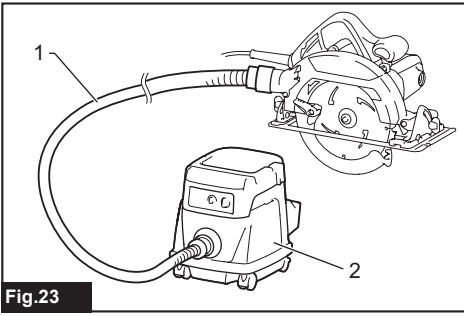


Fig.23

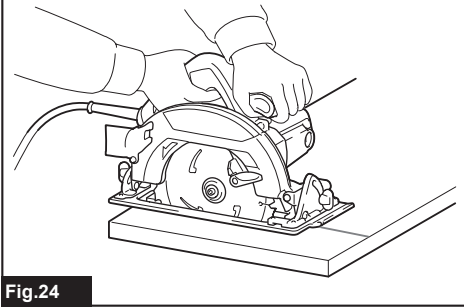


Fig.24

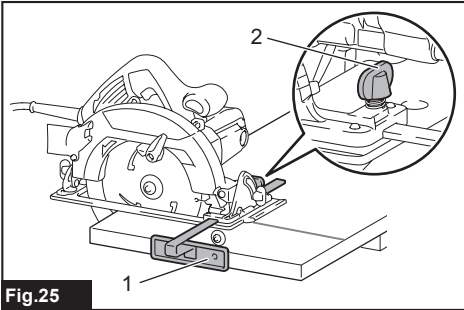


Fig.25

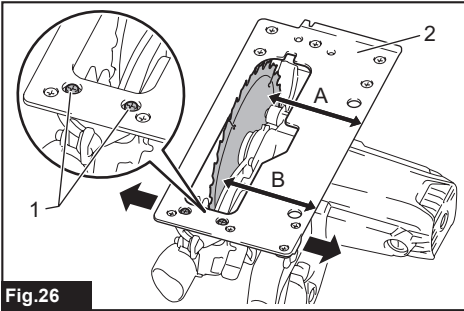


Fig.26

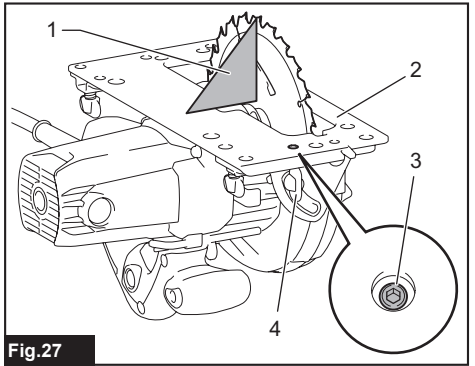


Fig.27

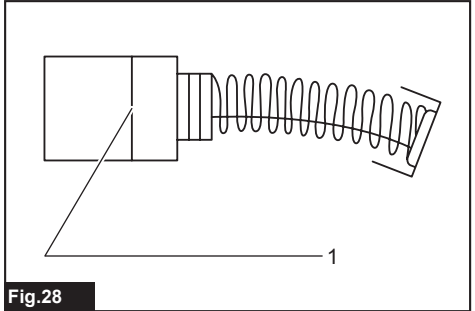


Fig.28

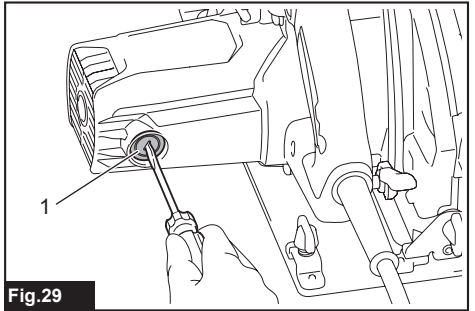


Fig.29

SPECIFICATIONS

Model:		HS7611
Blade diameter		185 - 190 mm
Max. Cutting depth	at 0°	63 - 65 mm
	at 45° bevel	44 - 45 mm
No load speed		5,500 min ⁻¹
Overall length		311 mm
Net weight		3.9 kg
Safety class		▣/II

- Due to our continuing program of research and development, the specifications herein are subject to change without notice.
- Specifications may differ from country to country.
- Weight according to EPTA-Procedure 01/2014

Intended use

The tool is intended for performing lengthways and cross-ways straight cuts and mitre cuts with angles in wood while in firm contact with the workpiece. With appropriate Makita genuine saw blades, other materials can also be sawed.

Power supply

The tool should be connected only to a power supply of the same voltage as indicated on the nameplate, and can only be operated on single-phase AC supply. They are double-insulated and can, therefore, also be used from sockets without earth wire.

For public low-voltage distribution systems of between 220 V and 250 V

Switching operations of electric apparatus cause voltage fluctuations. The operation of this device under unfavorable mains conditions can have adverse effects to the operation of other equipment. With a mains impedance equal or less than 0.33 Ohms it can be presumed that there will be no negative effects. The mains socket used for this device must be protected with a fuse or protective circuit breaker having slow tripping characteristics.

Noise

The typical A-weighted noise level determined according to EN62841:

Sound pressure level (L_{pA}): 95 dB(A)

Sound power level (L_{WA}): 106 dB (A)

Uncertainty (K): 3 dB(A)

⚠ WARNING: Wear ear protection.

Vibration

The vibration total value (tri-axial vector sum) determined according to EN62841:

Work mode: cutting wood

Vibration emission ($a_{R,W}$): 2.5 m/s² or less

Uncertainty (K): 1.5 m/s²

NOTE: The declared vibration emission value has been measured in accordance with the standard test method and may be used for comparing one tool with another.

NOTE: The declared vibration emission value may also be used in a preliminary assessment of exposure.

⚠ WARNING: The vibration emission during actual use of the power tool can differ from the declared emission value depending on the ways in which the tool is used.

⚠ WARNING: Be sure to identify safety measures to protect the operator that are based on an estimation of exposure in the actual conditions of use (taking account of all parts of the operating cycle such as the times when the tool is switched off and when it is running idle in addition to the trigger time).

EC Declaration of Conformity

For European countries only

The EC declaration of conformity is included as Annex A to this instruction manual.

SAFETY WARNINGS

General power tool safety warnings

⚠ WARNING: Read all safety warnings, instructions, illustrations and specifications provided with this power tool. Failure to follow all instructions listed below may result in electric shock, fire and/or serious injury.

Save all warnings and instructions for future reference.

The term "power tool" in the warnings refers to your mains-operated (corded) power tool or battery-operated (cordless) power tool.

Circular saw safety warnings

Cutting procedures

1. **⚠ DANGER:** Keep hands away from cutting area and the blade. Keep your second hand on auxiliary handle, or motor housing. If both hands are holding the saw, they cannot be cut by the blade.
2. **Do not reach underneath the workpiece.** The guard cannot protect you from the blade below the workpiece.
3. **Adjust the cutting depth to the thickness of the workpiece.** Less than a full tooth of the blade teeth should be visible below the workpiece.
4. **Never hold the workpiece in your hands or across your leg while cutting. Secure the workpiece to a stable platform.** It is important to support the work properly to minimise body exposure, blade binding, or loss of control.

► Fig.1

5. **Hold the power tool by insulated gripping surfaces, when performing an operation where the cutting tool may contact hidden wiring or its own cord.** Contact with a "live" wire will also make exposed metal parts of the power tool "live" and could give the operator an electric shock.
6. **When ripping, always use a rip fence or straight edge guide.** This improves the accuracy of cut and reduces the chance of blade binding.
7. **Always use blades with correct size and shape (diamond versus round) of arbour holes.** Blades that do not match the mounting hardware of the saw will run off-centre, causing loss of control.
8. **Never use damaged or incorrect blade washers or bolt.** The blade washers and bolt were specially designed for your saw, for optimum performance and safety of operation.

Kickback causes and related warnings

- kickback is a sudden reaction to a pinched, jammed or misaligned saw blade, causing an uncontrolled saw to lift up and out of the workpiece toward the operator;
- when the blade is pinched or jammed tightly by the kerf closing down, the blade stalls and the motor reaction drives the unit rapidly back toward the operator;
- if the blade becomes twisted or misaligned in the cut, the teeth at the back edge of the blade can dig into the top surface of the wood causing the blade to climb out of the kerf and jump back toward the operator.

Kickback is the result of saw misuse and/or incorrect operating procedures or conditions and can be avoided by taking proper precautions as given below.

1. **Maintain a firm grip with both hands on the saw and position your arms to resist kickback forces. Position your body to either side of the blade, but not in line with the blade.** Kickback could cause the saw to jump backwards, but kickback forces can be controlled by the operator, if proper precautions are taken.
2. **When blade is binding, or when interrupting a cut for any reason, release the trigger and hold the saw motionless in the material until the blade comes to a complete stop. Never attempt to remove the saw from the work or pull the saw backward while the blade is in motion or kickback may occur.** Investigate and take corrective actions to eliminate the cause of blade binding.

3. **When restarting a saw in the workpiece, centre the saw blade in the kerf so that the saw teeth are not engaged into the material.** If a saw blade binds, it may walk up or kickback from the workpiece as the saw is restarted.
4. **Support large panels to minimise the risk of blade pinching and kickback.** Large panels tend to sag under their own weight. Supports must be placed under the panel on both sides, near the line of cut and near the edge of the panel.

► Fig.2

► Fig.3

5. **Do not use dull or damaged blades.** Unsharpened or improperly set blades produce narrow kerf causing excessive friction, blade binding and kickback.
6. **Blade depth and bevel adjusting locking levers must be tight and secure before making the cut.** If blade adjustment shifts while cutting, it may cause binding and kickback.
7. **Use extra caution when sawing into existing walls or other blind areas.** The protruding blade may cut objects that can cause kickback.
8. **ALWAYS hold the tool firmly with both hands. NEVER place your hand, leg or any part of your body under the tool base or behind the saw, especially when making cross-cuts.** If kickback occurs, the saw could easily jump backwards over your hand, leading to serious personal injury.

► Fig.4

9. **Never force the saw. Push the saw forward at a speed so that the blade cuts without slowing.** Forcing the saw can cause uneven cuts, loss of accuracy, and possible kickback.

Lower guard function

1. **Check the lower guard for proper closing before each use. Do not operate the saw if the lower guard does not move freely and close instantly. Never clamp or tie the lower guard into the open position.** If the saw is accidentally dropped, the lower guard may be bent. Raise the lower guard with the retracting handle and make sure it moves freely and does not touch the blade or any other part, in all angles and depths of cut.
2. **Check the operation of the lower guard spring. If the guard and the spring are not operating properly, they must be serviced before use.** Lower guard may operate sluggishly due to damaged parts, gummy deposits, or a build-up of debris.
3. **The lower guard may be retracted manually only for special cuts such as "plunge cuts" and "compound cuts". Raise the lower guard by the retracting handle and as soon as the blade enters the material, the lower guard must be released.** For all other sawing, the lower guard should operate automatically.
4. **Always observe that the lower guard is covering the blade before placing the saw down on bench or floor.** An unprotected, coasting blade will cause the saw to walk backwards, cutting whatever is in its path. Be aware of the time it takes for the blade to stop after switch is released.

5. To check lower guard, open lower guard by hand, then release and watch guard closure. Also check to see that retracting handle does not touch tool housing. Leaving blade exposed is VERY DANGEROUS and can lead to serious personal injury.

Additional safety warnings

1. Use extra caution when cutting damp wood, pressure treated lumber, or wood containing knots. Maintain smooth advancement of tool without decrease in blade speed to avoid overheating the blade tips.
2. Do not attempt to remove cut material when blade is moving. Wait until blade stops before grasping cut material. Blades coast after turn off.
3. Avoid cutting nails. Inspect for and remove all nails from lumber before cutting.
4. Place the wider portion of the saw base on that part of the workpiece which is solidly supported, not on the section that will fall off when the cut is made. If the workpiece is short or small, clamp it down. **DO NOT TRY TO HOLD SHORT PIECES BY HAND!**

► Fig.5

5. Before setting the tool down after completing a cut, be sure that the guard has closed and the blade has come to a complete stop.
6. Never attempt to saw with the circular saw held upside down in a vise. This is extremely dangerous and can lead to serious accidents.

► Fig.6

7. Some material contains chemicals which may be toxic. Take caution to prevent dust inhalation and skin contact. Follow material supplier safety data.
8. Do not stop the blades by lateral pressure on the saw blade.
9. Do not use any abrasive wheels.
10. Only use the saw blade with the diameter that is marked on the tool or specified in the manual. Use of an incorrectly sized blade may affect the proper guarding of the blade or guard operation which could result in serious personal injury.
11. Keep blade sharp and clean. Gum and wood pitch hardened on blades slows saw and increases potential for kickback. Keep blade clean by first removing it from tool, then cleaning it with gum and pitch remover, hot water or kerosene. Never use gasoline.
12. Wear a dust mask and hearing protection when use the tool.
13. Always use the saw blade intended for cutting the material that you are going to cut.
14. Only use the saw blades that are marked with a speed equal or higher than the speed marked on the tool.
15. (For European countries only)
Always use the blade which conforms to EN847-1.

SAVE THESE INSTRUCTIONS.

⚠ WARNING: DO NOT let comfort or familiarity with product (gained from repeated use) replace strict adherence to safety rules for the subject product. MISUSE or failure to follow the safety rules stated in this instruction manual may cause serious personal injury.

FUNCTIONAL DESCRIPTION

⚠ CAUTION: Always be sure that the tool is switched off and unplugged before adjusting or checking function on the tool.

Adjusting depth of cut

⚠ CAUTION: After adjusting the depth of cut, always tighten the lever securely.

Loosen the lever on the depth guide and move the base up or down. At the desired depth of cut, secure the base by tightening the lever.

For cleaner, safer cuts, set cut depth so that no more than one blade tooth projects below workpiece. Using proper cut depth helps to reduce potential for dangerous KICKBACKS which can cause personal injury.

► Fig.7: 1. Depth gauge 2. Lever 3. Base

Bevel cutting

⚠ CAUTION: After adjusting the bevel angle, always tighten the clamping screws securely.

Loosen the front and rear clamping screws. Set for the desired angle (0° - 45°) by tilting accordingly, then tighten the front and rear clamping screws securely.

► Fig.8: 1. Clamping screw

► Fig.9: 1. Clamping screw

Sighting

For straight cuts, align the 0° position on the front of the base with your cutting line. For 45° bevel cuts, align the 45° position with it.

► Fig.10: 1. Cutting line (0° position) 2. Cutting line (45° position)

► Fig.11: 1. Cutting line (0° position) 2. Cutting line (45° position)

Switch action

⚠ WARNING: Before plugging in the tool, always check to see that the switch trigger actuates properly and returns to the "OFF" position when released.

► Fig.12: 1. Switch trigger 2. Lock-off button

To prevent the switch trigger from being accidentally pulled, a lock-off button is provided. To start the tool, press the lock-off button and pull the switch trigger. Release the switch trigger to stop.

⚠WARNING: NEVER defeat the lock-off button by taping down or some other means. A switch with a negated lock-off button may result in unintentional operation and serious personal injury.

⚠WARNING: NEVER use the tool if it runs when you simply pull the switch trigger without pressing the lock-off button. A switch in need of repair may result in unintentional operation and serious personal injury. Return tool to a Makita service center for proper repairs BEFORE further usage.

NOTICE: Do not pull the switch trigger hard without pressing in the lock-off button. This can cause switch breakage.

ASSEMBLY

⚠CAUTION: Always be sure that the tool is switched off and unplugged before carrying out any work on the tool.

Removing or installing circular saw blade

⚠CAUTION: Be sure the circular saw blade is installed with teeth pointing up at the front of the tool.

⚠CAUTION: Use only the Makita wrench to install or remove the circular saw blade.

1. To remove the circular saw blade, press the shaft lock fully so that the circular saw blade cannot revolve and use the hex wrench to loosen the hex bolt counter-clockwise.

▶ **Fig.13:** 1. Hex wrench 2. Shaft lock 3. Hex bolt 4. Outer flange 5. Loosen 6. Tighten

2. Remove the hex bolt and outer flange.

3. Turn the lever to open the blade guard.

▶ **Fig.14:** 1. Lever

4. Remove the blade and ring (country specific).

For tool without the ring

▶ **Fig.15:** 1. Hex bolt 2. Outer flange 3. Circular saw blade 4. Inner flange

For tool with the ring

▶ **Fig.16:** 1. Hex bolt 2. Outer flange 3. Circular saw blade 4. Ring 5. Inner flange

To install the circular saw blade, follow the removal procedure in reverse.

For tool with the inner flange for other than 15.88 mm hole-diameter saw blade

The inner flange has a certain diameter protrusion on one side of it and a different diameter protrusion on the other side. Choose a correct side on which protrusion fits into the saw blade hole perfectly. Mount the inner flange onto the mounting shaft so that the correct side of protrusion on the inner flange faces outward and then place saw blade and outer flange.

▶ **Fig.17:** 1. Mounting shaft 2. Inner flange 3. Circular saw blade 4. Outer flange 5. Hex bolt

⚠WARNING: BE SURE TO TIGHTEN THE HEX BOLT CLOCKWISE SECURELY. Also be careful not to tighten the bolt forcibly. Slipping your hand from the hex wrench can cause a personal injury.

⚠WARNING: Make sure that the protrusion "a" on the inner flange that is positioned outside fits into the saw blade hole "a" perfectly. Mounting the blade on the wrong side can result in the dangerous vibration.

For tool with the inner flange for a 15.88 mm hole-diameter saw blade (country specific)

Mount the inner flange with its recessed side facing outward onto the mounting shaft and then place saw blade (with the ring attached if needed), outer flange and hex bolt.

For tool without the ring

▶ **Fig.18:** 1. Mounting shaft 2. Inner flange 3. Circular saw blade 4. Outer flange 5. Hex bolt

For tool with the ring

▶ **Fig.19:** 1. Mounting shaft 2. Inner flange 3. Circular saw blade 4. Outer flange 5. Hex bolt 6. Ring

⚠WARNING: BE SURE TO TIGHTEN THE HEX BOLT CLOCKWISE SECURELY. Also be careful not to tighten the bolt forcibly. Slipping your hand from the hex wrench can cause a personal injury.

⚠WARNING: If the ring is needed to mount the blade onto the spindle, always be sure that the correct ring for the blade's arbor hole you intend to use is installed between the inner and the outer flanges. Use of the incorrect arbor hole ring may result in the improper mounting of the blade causing blade movement and severe vibration resulting in possible loss of control during operation and in serious personal injury.

Blade guard cleaning

When changing the circular saw blade, make sure to also clean the upper and lower blade guards of accumulated sawdust as discussed in the Maintenance section. Such efforts do not replace the need to check lower guard operation before each use.

Hex wrench storage

When not in use, store the hex wrench as shown in the figure to keep it from being lost.

► **Fig.20:** 1. Hex wrench

Connecting a vacuum cleaner

Optional accessory

When you wish to perform clean cutting operation, connect a Makita vacuum cleaner to your tool using the dust nozzle.

1. If your circular saw has a long lever (country specific), replace it with the short lever supplied with the dust nozzle.

► **Fig.21:** 1. Long lever (country specific) 2. Screw
3. Short lever

Do not use the dust nozzle with the long lever attached. You will not be able to make a cut because the lower guard movement is hindered by the dust nozzle.

2. Install the dust nozzle on the tool using the screw.

► **Fig.22:** 1. Dust nozzle 2. Screw

3. Connect a hose of the vacuum cleaner to the dust nozzle.

► **Fig.23:** 1. Hose 2. Vacuum cleaner

OPERATION

CAUTION: Be sure to move the tool forward in a straight line gently. Forcing or twisting the tool will result in overheating the motor and dangerous kickback, possibly causing severe injury.

CAUTION: Always use a front grip and rear handle and firmly hold the tool by both front grip and rear handle during operations.

► **Fig.24**

Hold the tool firmly. The tool is provided with both a front grip and rear handle. Use both to best grasp the tool. If both hands are holding saw, they cannot be cut by the circular saw blade. Set the base on the workpiece to be cut without the circular saw blade making any contact. Then turn the tool on and wait until the circular saw blade attains full speed. Now simply move the tool forward over the workpiece surface, keeping it flat and advancing smoothly until the sawing is completed.

To get clean cuts, keep your sawing line straight and your speed of advance uniform. If the cut fails to properly follow your intended cut line, do not attempt to turn or force the tool back to the cut line. Doing so may bind the circular saw blade and lead to dangerous kickback and possible serious injury. Release switch, wait for circular saw blade to stop and then withdraw tool. Realign tool on new cut line, and start cut again. Attempt to avoid positioning which exposes operator to chips and wood dust being ejected from saw. Use eye protection to help avoid injury.

Rip fence (Guide rule)

Optional accessory

► **Fig.25:** 1. Rip fence (Guide rule) 2. Clamping screw

The handy rip fence allows you to do extra-accurate straight cuts. Simply slide the rip fence up snugly against the side of the workpiece and secure it in position with the clamping screw on the front of the base. It also makes repeated cuts of uniform width possible.

MAINTENANCE

CAUTION: Always be sure that the tool is switched off and unplugged before attempting to perform inspection or maintenance.

CAUTION: Clean out the guard to ensure there is no accumulated sawdust and chips which may impede the operation of the guarding system. A dirty guarding system may limit the proper operation which could result in serious personal injury. The most effective way to accomplish this cleaning is with compressed air. **If the dust is being blown out of the guard, be sure the proper eye and breathing protection is used.**

NOTICE: Never use gasoline, benzine, thinner, alcohol or the like. Discoloration, deformation or cracks may result.

Adjusting the parallelism

This adjustment has been made at the factory. But if it is off, you can adjust it as the following procedure.

1. Make sure all levers and screws are tightened. Slightly loosen the screw illustrated.

► **Fig.26:** 1. Screw 2. Base

2. While opening the lower guard, move the rear of the base so that the distance A and B becomes equal.

3. Tighten the screws and make a test cut to check the parallelism.

Adjusting 0°-cut accuracy

This adjustment has been made at the factory. But if it is off, you can adjust it as the following procedure.

1. Slightly loosen the clamping screws on the front and rear of the tool.

2. Make the base perpendicular to the blade using a triangular rule or square rule by turning the adjusting screw.

► **Fig.27:** 1. Triangular rule 2. Base 3. Adjusting screw
4. Clamping screw

3. Tighten the clamping screws and then make a test cut to check the verticalness.

Replacing carbon brushes

► Fig.28: 1. Limit mark

Check the carbon brushes regularly. Replace them when they wear down to the limit mark. Keep the carbon brushes clean and free to slip in the holders. Both carbon brushes should be replaced at the same time. Use only identical carbon brushes.

1. Use a screwdriver to remove the brush holder caps.
2. Take out the worn carbon brushes, insert the new ones and secure the brush holder caps.

► Fig.29: 1. Brush holder cap

To maintain product SAFETY and RELIABILITY, repairs, any other maintenance or adjustment should be performed by Makita Authorized or Factory Service Centers, always using Makita replacement parts.

OPTIONAL ACCESSORIES

⚠ CAUTION: These accessories or attachments are recommended for use with your Makita tool specified in this manual. The use of any other accessories or attachments might present a risk of injury to persons. Only use accessory or attachment for its stated purpose.

If you need any assistance for more details regarding these accessories, ask your local Makita Service Center.

- Circular saw blade
- Rip fence (Guide rule)
- Hex wrench
- Dust nozzle (with lever)
- Dust nozzle (without lever)
- Guide rail
- Bevel guide
- Clamp
- Sheet
- Rubber sheet
- Position sheet
- Guide rail adapter
- Rule bar

NOTE: Some items in the list may be included in the tool package as standard accessories. They may differ from country to country.

DANE TECHNICZNE

Model:		HS7611
Średnica tarczy		185 - 190 mm
Maks. głębokość cięcia	pod kątem 0°	63 - 65 mm
	pod kątem 45° w pionie	44 - 45 mm
Prędkość bez obciążenia		5 500 min ⁻¹
Długość całkowita		311 mm
Masa netto		3,9 kg
Klasa bezpieczeństwa		□/II

- W związku ze stale prowadzonym przez naszą firmę programem badawczo-rozwojowym niniejsze dane mogą ulec zmianom bez wcześniejszego powiadomienia.
- Dane techniczne mogą różnić się w zależności od kraju.
- Ciężar podany zgodnie z procedurą EPTA 01/2014

Przeznaczenie

Narzędzie przeznaczone jest do wykonywania wzdłużnych i poprzecznych cięć prostych oraz cięć pod kątem w drewnie, gdy spoczywa ono pewnie na obrabianym elemencie. Stosując odpowiednie oryginalne tarcze tnące firmy Makita, istnieje możliwość cięcia również innych materiałów.

Zasilanie

Narzędzie wolno podłączać tylko do źródeł zasilania o napięciu zgodnym z napięciem podanym na tabliczce znamionowej. Można je zasilать wyłącznie jednofazowym prądem przemiennym. Narzędzie ma podwójną izolację, dlatego też można je zasilać z gniazda elektrycznego bez uziemienia.

Dotyczy niskonapięciowych sieci elektroenergetycznych o napięciu pomiędzy 220 V a 250 V

Włączanie i wyłączanie urządzeń elektrycznych powoduje wahania napięcia. Posługiwanie się narzędziem przy niesprzyjających parametrach zasilania może mieć niekorzystny wpływ na działanie innych urządzeń. Jeśli impedancja sieci elektrycznej jest mniejsza lub równa 0,33 Ω można założyć, że niekorzystne efekty nie wystąpią. Gniazdo sieciowe używane do podłączenia tego urządzenia powinno być zabezpieczone bezpiecznikiem lub wyłącznikiem o zwłocznej charakterystyce wyłączania.

Hałas

Typowy równoważny poziom dźwięku A określony w oparciu o normę EN62841:

Poziom ciśnienia akustycznego (L_{pA}): 95 dB(A)

Poziom mocy akustycznej (L_{WA}): 106 dB (A)

Niepewność (K): 3 dB(A)

⚠ OSTRZEŻENIE: Nosić ochronniki słuchu.

Drgania

Całkowita wartość poziomu drgań (suma wektorów w 3 osiach) określona zgodnie z normą EN62841:

Tryb pracy: Cięcie drewna

Emisja drgań ($a_{h,w}$): 2,5 m/s² lub mniej

Niepewność (K): 1,5 m/s²

WSKAZÓWKA: Deklarowana wartość wytwarzanych drgań została zmierzona zgodnie ze standardową metodą testową i można ją wykorzystać do porównywania narzędzi.

WSKAZÓWKA: Deklarowaną wartość wytwarzanych drgań można także wykorzystać we wstępnej ocenie narażenia.

⚠ OSTRZEŻENIE: Drgania wytwarzane podczas rzeczywistego użytkowania elektronarzędzia mogą się różnić od wartości deklarowanej, w zależności od sposobu jego użytkowania.

⚠ OSTRZEŻENIE: W oparciu o szacowane narażenie w rzeczywistych warunkach użytkowania należy określić środki bezpieczeństwa w celu ochrony operatora (uwzględniając wszystkie elementy cyklu działania, tj. czas, kiedy narzędzie jest wyłączone i kiedy pracuje na biegu jałowym, a także czas, kiedy jest włączone).

Deklaracja zgodności WE

Dotyczy tylko krajów europejskich

Deklaracja zgodności WE jest dołączona jako załącznik A do niniejszej instrukcji obsługi.

OSTRZEŻENIA DOTYCZĄCE BEZPIECZEŃSTWA

Ogólne zasady bezpiecznej eksploatacji elektronarzędzi

⚠️ OSTRZEŻENIE: Należy zapoznać się z ostrzeżeniami dotyczącymi bezpieczeństwa, instrukcjami, ilustracjami i danymi technicznymi dołączonymi do tego elektronarzędzia. Niezastosowanie się do podanych poniżej instrukcji może prowadzić do porażenia prądem, pożaru i/lub poważnych obrażeń ciała.

Wszystkie ostrzeżenia i instrukcje należy zachować do wykorzystania w przyszłości.

Pojęcie „elektonarzędzie”, występujące w wymienionych tu ostrzeżeniach, odnosi się do elektronarzędzia zasilanego z sieci elektrycznej (z przewodem zasilającym) lub do elektronarzędzia akumulatorowego (bez przewodu zasilającego).

Ostrzeżenia dotyczące bezpieczeństwa dla pilarki tarczowej

Procedury cięcia

- ⚠️ NIEBEZPIECZEŃSTWO:** Trzymać ręce z dala od obszaru cięcia oraz tarczy. Drugą dłoń trzymać na dodatkowym uchwycie lub na obudowie silnika. Jeśli obie dłonie trzymają pilarkę, nie mogą zostać przecięte przez tarczę.
 - Nie wolno sięgać rękoma pod spód obrabianego elementu. Ostrona nie chroni użytkownika przed tarczą wychodzącą spod spodu obrabianego elementu.
 - Głębokość cięcia należy dostosować do grubości obrabianego elementu. Spód spodu obrabianego elementu może wystawać najwyżej niecały ząb tarczy.
 - Obrabianego elementu nie wolno trzymać w rękach ani na nogach. Obrabiany element należy przymocować do stabilnej podstawy. Prawidłowe podparcie elementu jest istotne, ponieważ minimalizuje zagrożenia dla operatora i ryzyko zakleszczenia się tarczy oraz utraty kontroli.
- Rys.1
- Trzymać elektronarzędzie za izolowane powierzchnie rękojeści podczas wykonywania prac, przy których narzędzie tnące może dotknąć niewidocznej instalacji elektrycznej. Zetknięcie z przewodem elektrycznym znajdującym się pod napięciem spowoduje, że odsonięte elementy metalowe narzędzia również znajdą się pod napięciem, grożąc porażeniem operatora prądem elektrycznym.

- Podczas cięcia wzdłużnego należy zawsze stosować prowadnicę wzdłużną lub szynę prowadzącą. Zwiększa to dokładność cięcia i zmniejsza prawdopodobieństwo zakleszczenia tarczy.
- Zawsze należy używać tarcz o prawidłowym rozmiarze i kształcie (romb lub koło) otworu na wałek. Tarcze, które nie pasują do osprzętu do ich montażu w narzędziu, będą obracać się mimośrodowo, powodując utratę kontroli.
- Nie wolno używać uszkodzonych ani niewłaściwych podkładek i śrub do mocowania tarczy. Podkładki i śruba do mocowania tarczy zostały zaprojektowane specjalnie dla opisywanego narzędzia w celu zapewnienia jego optymalnego działania i bezpieczeństwa obsługi.

Przyczyny odrzutu i związane z tym ostrzeżenia:

- odrzut stanowi nagłą reakcję zakleszczonej, zablokowanej lub wygiętej tarczy, polegającą na niekontrolowanym uniesieniu pilarki w górę i wyrzuceniu jej z obrabianego elementu w kierunku operatora;
- gdy w skutek zaciskania się lub zablokowania materiału z obu stron rządu tarcza zakleszczy się, wówczas reakcja silnika spowoduje gwałtowne wypchnięcie urządzenia w tył w kierunku operatora;
- jeśli podczas cięcia prowadzona w materiale tarcza zostanie skrzywiona lub wygięta, zęby znajdujące się na jej tylnej krawędzi mogą wkląć się w górną powierzchnię drewna, wypychając tarczę z rządu i powodując odskoczenie narzędzia do tyłu w kierunku operatora.

Odrzut jest wynikiem nieprawidłowego używania pilarki i/lub niewłaściwych procedur lub warunków jej obsługi. Można tego uniknąć, podejmując odpowiednie środki ostrożności, które podano poniżej.

- Przez cały czas pilarkę należy trzymać mocno oburącz, ustawiając ręce w taki sposób, aby przeciwdziałać siłom odrzutu. Nie wolno stawać na linii tarczy, lecz po jednej albo po drugiej jej stronie. Odrzut może spowodować odskoczenie pilarki w tył. Operator może jednak kontrolować siły odrzutu, jeśli zostaną podjęte odpowiednie środki ostrożności.
- W przypadku zakleszczenia się tarczy lub przerwania operacji cięcia z jakiegokolwiek powodu należy zwolnić spust przełącznika, trzymając pilarkę w materiale do momentu całkowitego zatrzymania się tarczy. Nie wolno wyciągać ani wycofywać pilarki z przecinanego elementu, gdy tarcza znajduje się w ruchu, bowiem w przeciwnym razie może wystąpić odrzut. Zbadać przyczynę zakleszczenia się tarczy i podjąć stosowne działania, aby wyeliminować problem.
- Przed ponownym uruchomieniem pilarki znajdującej się w obrabianym elemencie należy ustawić tarczę tnącą w środku rządu tak, żeby zęby tarczy nie były wbite w materiał. Jeśli tarcza tnąca zablokuje się, wówczas w momencie uruchomienia pilarki może zostać wypchnięta ku górze albo wystąpić odrzut.

4. **Duże płyty należy podierać, aby zminimalizować ryzyko zakleszczenia się tarczy i odrzutu.** Duże płyty mają tendencję do wyginania się pod własnym ciężarem. Podpory muszą być ustawione pod płytą w sąsiedztwie linii cięcia po obu jej stronach oraz w pobliżu końców płyty.

► Rys.2

► Rys.3

5. **Nie wolno używać tępych ani uszkodzonych tarcz.** Nienaostzone lub niewłaściwie założone tarcze dają wąski rżaz, który jest przyczyną nadmiernego tarcia, zakleszczania się tarczy i odrzutów.
6. **Dźwignie blokujące regulacji głębokości tarczy i kąta muszą być dobrze dokręcone i zaciśnięte przed przystąpieniem do cięcia.** Jeśli ustawienie tarczy zmienia się podczas cięcia, może spowodować zakleszczenie się tarczy i odrzut narzędzia.
7. **Należy zachować szczególną ostrożność w przypadku wykonywania cięcia w ścianach bądź innych zakrytych powierzchniach.** Wystająca tarcza może przeciąć niewidoczne elementy, które z kolei mogą wywołać odrzut.
8. **Narzędzie należy ZAWSZE trzymać mocno oburącz. Nie wolno NIGDY trzymać rąk, nóg ani innych części ciała pod podstawą narzędzia ani za nim, zwłaszcza podczas wykonywania cięć poprzecznych.** W przypadku wystąpienia odrzutu pilarka może z łatwością odskoczyć w tył, przesuwając się po ręce, powodując poważne obrażenia.

► Rys.4

9. **Pilarkę należy prowadzić bez używania nadmiernej siły. Pilarkę należy popychać do przodu z prędkością, przy której tarcza nie zwalnia podczas cięcia.** Popychanie z nadmierną siłą może bowiem powodować powstawanie nierównych rżazów, prowadzić do utraty precyzji cięcia i stwarzać możliwość odrzutu.

Funkcja osłony

1. **Każdorazowo przed użyciem sprawdzić, czy dolna osłona prawidłowo się zamyka. Nie uruchamiać pilarki, jeśli dolna osłona nie przesuwa się swobodnie lub zamyka się z opóźnieniem. Nie wolno w żadnym wypadku przywiązywać dolnej osłony ani w inny sposób jej unieruchamiać w pozycji otwartej.** Jeśli narzędzie przypadkowo upadnie, dolna osłona może ulec wygięciu. W takim przypadku unieść dolną osłonę za pomocą uchwytu cofania i upewnić się, że osłona przesuwa się swobodnie i nie dotyka tarczy ani innego elementu przy wszystkich ustawieniach kąta i głębokości cięcia.
2. **Sprawdzić działanie sprężyny dolnej osłony. Jeśli osłona i sprężyna nie działają prawidłowo, wówczas przed użyciem narzędzia należy zlecić ich naprawę.** Dolna osłona może przesuwać się z oporami wskutek uszkodzonych elementów, osadów żywicy oraz nagromadzonych zabrudzeń.

3. **Dolną osłonę wolno cofać ręcznie tylko w przypadku specjalnych cięć, takich jak „cięcia wgłębne” i „cięcia złożone”.** Unieść dolną osłonę za pomocą uchwytu cofania i, gdy tylko tarcza wejdzie w materiał, zwolnić ją. W przypadku pozostałych operacji cięcia dolna osłona powinna działać w sposób automatyczny.
4. **Przed odłożeniem narzędzia na stół lub podłogę należy zwrócić uwagę, czy dolna osłona zasłania tarczę.** Nieosłonięta tarcza, obracająca się siłą rozpędu, spowoduje ruch narzędzia do tyłu, które będzie cięło wszystko, co napotka na swojej drodze. Należy mieć świadomość, że od momentu zwolnienia przelącznika do chwili zatrzymania się tarczy upływa pewien czas.
5. **W celu skontrolowania dolnej osłony należy ją otworzyć ręką, a następnie zwolnić, obserwując, w jaki sposób się zamyka. Należy również sprawdzić, czy uchwyt cofania nie dotyka obudowy narzędzia.** Odsłonięta tarcza stanowi BARDZO DUŻE NIEBEZPIECZEŃSTWO i może prowadzić do poważnych obrażeń ciała.

Dodatkowe ostrzeżenia dotyczące bezpieczeństwa

1. **W przypadku cięcia wilgotnego drewna, impregnowanej ciśnieniowo tarczy lub drewna z sękami należy zachować szczególną ostrożność.** Utrzymywać jednostajny ruch posuwisty narzędzia bez zmniejszania prędkości obrotowej tarczy w celu uniknięcia przegrzania się zębów piły.
2. **Nie wolno usuwać przeciętego materiału, gdy tarcza jest w ruchu. Przed chwyceniem przeciętego materiału należy odczekać, aż tarcza zatrzyma się.** Po wyłączeniu tarcze dalej obracają się siłą rozpędu.
3. **Należy unikać cięcia gwoździ. Przed przystąpieniem do cięcia należy skontrolować tarcicę i usunąć z niej wszystkie gwoździe.**
4. **Podstawę pilarki umieścić po tej stronie obrabianego elementu, która jest dobrze podparta, a nie po tej, która odpadnie w momencie przecięcia. Jeśli obrabiany element jest krótki lub ma niewielkie rozmiary, należy go unieruchomić. NIE WOLNO PRZYTRZYMYWAĆ KRÓTKICH ELEMENTÓW RĘKĄ!**

► Rys.5

5. **Przed odłożeniem narzędzia po zakończonej operacji cięcia należy upewnić się, czy osłona zamknęła się oraz czy tarcza całkowicie się zatrzymała.**
 6. **Nie wolno podejmować prób cięcia pilarką zamocowaną do góry nogami w imadle. Jest to wyjątkowo niebezpieczne i może prowadzić do poważnych wypadków.**
- Rys.6
7. **Niektóre materiały zawierają substancje chemiczne, które mogą być toksyczne. Unikać wdychania pyłu i kontaktu ze skórą. Przestrzegać przepisów bezpieczeństwa podanych przez dostawcę materiałów.**
 8. **Nie wolno zatrzymywać tarczy, wywierając na nią poprzeczny nacisk.**

9. **Nie wolno używać tarcz ściernych.**
10. **Używać wyłącznie tarczy o średnicy oznaczonej na narzędziu lub określonej w instrukcji.** Korzystanie z tarczy o nieodpowiednim rozmiarze może uniemożliwić prawidłowe zabezpieczenie tarczy lub zakłócić działanie osłony, co może skutkować odniesieniem poważnych obrażeń ciała.
11. **Tarcza powinna być zawsze naostrzona i czysta.** Stwardniała żywica i smoła drzewna na tarczach spowalnia ruch obrotowy pilarki i zwiększa ryzyko odrzutu. Tarcza powinna być zawsze czysta. W celu oczyszczenia tarczy należy ją najpierw zdjąć z narzędzia, następnie oczyścić zmywaczem do żywicy i smoły, gorącą wodą lub naftą. Nie wolno stosować benzyny.
12. **Do pracy należy zakładać maskę przeciwpyłową oraz ochronniki słuchu.**
13. **Zawsze używać tarczy tnącej przeznaczonej do cięcia materiału, który ma być cięty.**
14. **Stosować wyłącznie tarcze tnące z oznaczeniem prędkości równej lub wyższej niż wartość prędkości oznaczonej na narzędziu.**
15. **(Dotyczy tylko krajów europejskich). Zawsze używaj tarczy zgodnej z normą EN847-1.**

ZACHOWAĆ NINIEJSZĄ INSTRUKCJĘ.

⚠ OSTRZEŻENIE: NIE WOLNO pozwolić, aby wygoda lub rutyna (nabyta w wyniku wielokrotnego używania urządzenia) zastąpiły ścisłe przestrzeganie zasad bezpieczeństwa obsługi. **NIEWŁAŚCIWE UŻYTKOWANIE** narzędzia lub niestosowanie się do zasad bezpieczeństwa podanych w niniejszej instrukcji obsługi może prowadzić do poważnych obrażeń ciała.

OPIS DZIAŁANIA

⚠ PRZESTROGA: Przed rozpoczęciem regulacji lub sprawdzeniem działania narzędzia należy upewnić się, że jest ono wyłączone i nie podłączone do sieci.

Regulacja głębokości cięcia

⚠ PRZESTROGA: Po zakończeniu regulacji głębokości cięcia należy zawsze dobrze docisnąć dźwignię.

Poluzować dźwignię na prowadnicy głębokości i przesunąć podstawę w górę lub w dół. Po ustawieniu żądanej głębokości cięcia zablokować podstawę, dociskając dźwignię. Głębokość cięcia powinna być ustawiona w taki sposób, aby spod spodu obrabianego elementu nie wystawał więcej niż jeden ząb tarczy, co zapewni czystsze i bezpieczniejsze cięcie. Stosowanie prawidłowego ustawienia głębokości cięcia zmniejsza ryzyko niebezpiecznych ODRZUTÓW, które grożą obrażeniami ciała.

- **Rys.7:** 1. Ogranicznik głębokości 2. Dźwignia
3. Podstawa

Cięcie pod kątem w pionie

⚠ PRZESTROGA: Po zakończeniu regulacji kąta cięcia w pionie należy zawsze dobrze dokręcić śruby zaciskowe.

Poluzować przednią i tylną śrubę zaciskową. Ustawić żądany kąt (0° - 45°), przechylając odpowiednio narzędzie, a następnie dobrze dokręcić przednią i tylną śrubę zaciskową.

- **Rys.8:** 1. Śruba zaciskowa
► **Rys.9:** 1. Śruba zaciskowa

Celowanie

W przypadku cięć prostych wyrównać położenie 0° w przedniej części podstawy z linią cięcia. W przypadku cięć pod kątem 45° wyrównać położenie 45° z linią cięcia.

- **Rys.10:** 1. Linia cięcia (położenie 0°) 2. Linia cięcia (położenie 45°)
► **Rys.11:** 1. Linia cięcia (położenie 0°) 2. Linia cięcia (położenie 45°)

Działanie przełącznika

⚠ OSTRZEŻENIE: Przed podłączeniem narzędzia do zasilania należy zawsze sprawdzić, czy spust przełącznika działa prawidłowo oraz czy wraca do położenia wyłączenia po zwolnieniu.

- **Rys.12:** 1. Spust przełącznika 2. Przycisk blokady

Aby uniknąć przypadkowego pociągnięcia spustu przełącznika, urządzenie jest wyposażone w przycisk blokady włączenia. Aby uruchomić narzędzie, należy nacisnąć przycisk blokady włączenia i pociągnąć spust przełącznika. W celu zatrzymania wystarczy zwolnić spust przełącznika.

⚠️ OSTRZEŻENIE: NIE WOLNO pomijać ani blokować działania przycisku blokady poprzez zaklejenie go taśmą ani w inny sposób. Wylącznik z pominiętym lub zablokowanym przyciskiem blokady może spowodować przypadkowe uruchomienie narzędzia i poważne obrażenia ciała.

⚠️ OSTRZEŻENIE: NIE WOLNO używać narzędzia, jeśli można je uruchomić tylko za pomocą spustu przełącznika bez uprzedniego wciśnięcia przycisku blokady. Niesprawny, wymagający naprawy przełącznik może spowodować przypadkowe uruchomienie urządzenia i poważne obrażenia ciała. PRZED dalszym użytkowaniem narzędzia należy przekazać je do punktu serwisowego narzędzi Makita w celu naprawy.

UWAGA: Nie ciągnąć na siłę spustu przełącznika bez wcześniejszego wciśnięcia przycisku blokady. Można w ten sposób połamać przełącznik.

MONTAŻ

⚠️ PRZESTROGA: Przed wykonywaniem jakichkolwiek prac przy narzędziu należy upewnić się, że jest ono wylączone i odłączone od zasilania.

Zdejmowanie i zakładanie piły tarczowej

⚠️ PRZESTROGA: Piłę tarczową należy zakładać w taki sposób, aby zęby znajdujące się w przedniej części narzędzia były skierowane ku górze.

⚠️ PRZESTROGA: Do zakładania i zdejmowania piły tarczowej należy używać wyłącznie klucza firmy Makita.

1. W celu zdjęcia piły tarczowej należy nacisnąć do oporu blokadę wałka, aby piła tarczowa nie mogła się obracać, i poluzować kluczem imbusowym śrubę imbusową w lewą stronę.

▶ **Rys.13:** 1. Klucz imbusowy 2. Blokada wałka
3. Śruba imbusowa 4. Kołnierz zewnętrzny
5. Odkręcanie 6. Dokręcanie

2. Wykręcić śrubę imbusową i zdjąć kołnierz zewnętrzny.

3. Obrócić dźwignię, aby otworzyć osłonę tarczy.
▶ **Rys.14:** 1. Dźwignia

4. Wymontować tarczę i pierścień (zależnie od kraju).

Narzędzia bez pierścienia

▶ **Rys.15:** 1. Śruba imbusowa 2. Kołnierz zewnętrzny
3. Piła tarczowa 4. Kołnierz wewnętrzny

Narzędzia z pierścieniem

▶ **Rys.16:** 1. Śruba imbusowa 2. Kołnierz zewnętrzny
3. Piła tarczowa 4. Pierścień 5. Kołnierz wewnętrzny

Aby założyć piłę tarczową, należy wykonać czynności procedury zdejmowania w odwrotnej kolejności.

Narzędzia z kołnierzem wewnętrznym dla tarcz tnących z otworem o średnicy innej 15,88 mm

Kołnierz wewnętrzny ma występ o pewnej średnicy z jednej strony oraz występ o innej średnicy z drugiej strony. Należy wybrać prawidłową stronę występu, która będzie pasowała idealnie do otworu w tarczy tnącej. Następnie zamontować kołnierz wewnętrzny na wałku mocowania, tak aby strona z prawidłowym występowaniem kołnierza wewnętrznego była skierowana na zewnątrz, po czym założyć tarczę tnącą i kołnierz zewnętrzny.

▶ **Rys.17:** 1. Wałek mocowania 2. Wewnętrzny kołnierz 3. Piła tarczowa 4. Zewnętrzny kołnierz 5. Śruba imbusowa

⚠️ OSTRZEŻENIE: MOCNO DOKRĘCIĆ ŚRUBĘ IMBUSOWĄ W PRAWO. Uważać, aby nie dokręcać śruby zbyt mocno. Ześlizgnięcie się ręki z klucza sześciokątnego może spowodować obrażenia ciała.

⚠️ OSTRZEŻENIE: Upewnić się, że występ „a” na kołnierzu wewnętrznym ustawiony na zewnątrz pasuje idealnie do otworu „a” w tarczy tnącej. Montaż tarczy tnącej po złej stronie może spowodować niebezpieczne wibracje.

Narzędzia z kołnierzem wewnętrznym dla tarcz tnących z otworem o średnicy 15,88 mm (w zależności od kraju)

Zamocować kołnierz wewnętrzny na wałku mocowania stroną z wewnętrznym wgłębieniem skierowanym na zewnątrz, a następnie założyć tarczę tnącą (z zamocowanym pierścieniem, w razie potrzeby), kołnierz zewnętrzny i wkręcić śrubę sześciokątną.

Narzędzia bez pierścienia

▶ **Rys.18:** 1. Wałek mocowania 2. Wewnętrzny kołnierz 3. Piła tarczowa 4. Zewnętrzny kołnierz 5. Śruba imbusowa

Narzędzia z pierścieniem

▶ **Rys.19:** 1. Wałek mocowania 2. Wewnętrzny kołnierz 3. Piła tarczowa 4. Zewnętrzny kołnierz 5. Śruba imbusowa 6. Pierścień

⚠️ OSTRZEŻENIE: MOCNO DOKRĘCIĆ ŚRUBĘ IMBUSOWĄ W PRAWO. Uważać, aby nie dokręcać śruby zbyt mocno. Ześlizgnięcie się ręki z klucza sześciokątnego może spowodować obrażenia ciała.

⚠️ OSTRZEŻENIE: Jeśli do zamocowania tarczy na wrzecionie potrzebny jest pierścień, zawsze upewnić się, czy pomiędzy kołnierzem wewnętrznym i zewnętrznym znajduje się prawidłowy pierścień dopasowany do otworu tarczy, która ma zostać użyta. Użycie pierścienia o nieprawidłowym otworze może skutkować nieprawidłowym zamocowaniem tarczy, powodując jej ruch oraz mocne drgania, co może doprowadzić do utraty kontroli podczas pracy oraz poważnych obrażeń ciała.

Czyszczenie osłony tarczy

W przypadku wymiany piły tarczowej należy koniecznie oczyścić górną i dolną osłonę tarczy z nagromadzonych trocin, zgodnie z opisem w rozdziale dotyczącym konserwacji. Czynność ta nie zastępuje konieczności każdorazowego sprawdzenia poprawności działania dolnej osłony przed użyciem narzędzia.

Miejsce na klucz imbusowy

Klucz imbusowy, gdy nie jest używany, należy przechowywać w sposób pokazany na rysunku, aby się nie zgubił.

► **Rys.20:** 1. Klucz imbusowy

Podłączenie odkurzacza

Aksesoria opcjonalne

W celu zachowania czystości podczas operacji cięcia do narzędzia można podłączyć odkurzacz firmy Makita za pomocą króćca odpylania.

1. Jeśli ręczna pilarka tarczowa jest wyposażona w długą dźwignię (w zależności od kraju), należy wymienić ją na krótszą dźwignię dołączoną do króćca odpylania.

► **Rys.21:** 1. Długa dźwignia (w zależności od kraju)
2. Śruba 3. Krótka dźwignia

Nie należy używać króćca odpylania z zamontowaną długą dźwignią. Nie będzie można wykonać cięcia, ponieważ króciec odpylania będzie utrudniał ruch dolnej osłony.

2. Przykręcić króciec odpylania do narzędzia za pomocą śruby.

► **Rys.22:** 1. Króciec odpylania 2. Śruba

3. Wąż odkurzacza należy podłączyć do króćca odpylania.

► **Rys.23:** 1. Wąż 2. Odkurzacz

OBSŁUGA

▲ PRZESTROGA: Narzędzie należy prowadzić spokojnie wzdłuż linii prostej. Stosowanie nadmiernej siły lub zmiana kierunku prowadzenia narzędzia spowodują przegrzanie silnika i wystąpienia niebezpiecznego odrzutu, który może być przyczyną poważnych obrażeń ciała.

▲ PRZESTROGA: Zawsze używać przedniej rączki i tylnego uchwytu narzędzia. Podczas pracy trzymać narzędzie mocno zarówno za przednią rączkę i tylny uchwyt.

► **Rys.24**

Narzędzie należy trzymać mocno i pewnie. Narzędzie jest wyposażone w przednią rączkę i tylny uchwyt. Należy używać obu wspomnianych elementów, aby zapewnić pewny chwyt. Jeśli obie dłonie trzymają pilarkę, nie mogą zostać przecięte przez piłę tarczową. Ustawić podstawę narzędzia na elemencie do cięcia w taki sposób, aby piła tarczowa nie stykała się z nim. Następnie włączyć narzędzie i odczekać, aż piła tarczowa uzyska pełną prędkość. Teraz po prostu przesunąć narzędzie w przód po powierzchni elementu obrabianego, utrzymując je w poziomie i płynnie poruszając nim aż do zakończenia cięcia.

Aby uzyskać gładkie rzęzy, należy ciąć w linii prostej i utrzymywać stałą prędkość posuwu. Jeśli narzędzie zboczy z zamierzonej linii cięcia, nie próbować skręcać narzędziem ani wracać do niej na siłę. Może to spowodować zablokowanie piły tarczowej i niebezpieczny odrzut, który grozi poważnymi obrażeniami ciała. Zwolnić przełącznik, odczekać, aż piła tarczowa zatrzyma się, a następnie wycofać narzędzie. Ustawić narzędzie wzdłuż nowej linii cięcia i rozpocząć cięcie na nowo. Należy unikać pozycji, w której operator jest narażony na wióry i trociny wyrzucane przez pilarkę. Używać okularów ochronnych, aby zmniejszyć ryzyko obrażeń.

Prowadnica wzdłużna

Aksesoria opcjonalne

► **Rys.25:** 1. Prowadnica wzdłużna 2. Śruba zaciskowa

Poręczna prowadnica wzdłużna pozwala wykonywać wyjątkowo dokładne cięcia proste. Wystarczy tylko dobrze docisnąć prowadnicę do krawędzi obrabianego elementu i zablokować ją w odpowiednim położeniu za pomocą śruby z przodu podstawy. Umożliwia ona również wykonywanie powtarzalnych cięć o tej samej szerokości.

KONSERWACJA

▲ PRZESTROGA: Przed przystąpieniem do przeglądu narzędzia lub jego konserwacji upewnić się, że jest ono wyłączone i odłączone od zasilania.

▲ PRZESTROGA: Oczyścić osłonę, aby upewnić się, że nie nagromadziły się na niej żadne trociny ani wióry, które mogłyby wpłynąć na nieprawidłowe działanie układu zabezpieczającego. Zabrudzony układ zabezpieczający może ograniczać właściwe działanie, co może prowadzić do poważnych obrażeń ciała. Najbardziej skutecznym sposobem czyszczenia jest użycie sprężonego powietrza. W przypadku przedmuchiwania osłony należy zastosować odpowiednie środki ochrony oczu i układu oddechowego.

UWAGA: Nie stosować benzyny, rozpuszczalników, alkoholu itp. środków. Mogą one powodować odbarwienie, odkształcenia lub pęknięcia.

Regulacja równoległości

Ta regulacja została przeprowadzona fabrycznie. Jeśli jednak regulacja jest konieczna, należy wykonać następującą procedurę.

1. Upewnić się, czy wszystkie dźwignie i śruby są prawidłowo dociśnięte i dokręcone. Lekko poluzować śrubę, jak pokazano na rysunku.

► **Rys.26:** 1. Śruba 2. Podstawa

2. Po otwarciu dolnej osłony przesunąć tylną część podstawy, tak aby odległości A i B były równe.

3. Dokręcić śruby i wykonać cięcia próbne, aby sprawdzić równoległość.

Regulacja dokładności położenia 0°

Ta regulacja została przeprowadzona fabrycznie. Jeśli jednak regulacja jest konieczna, należy wykonać następującą procedurę.

1. Lekko poluzować dźwignię śruby zaciskowej z przodu i z tyłu narzędzia.
2. Ustawić podstawę prostopadle do tarczy za pomocą ekerki lub kątownika, obracając śrubę regulacyjną.
► **Rys.27:** 1. Ekerka 2. Podstawa 3. Pierścień regulacyjny 4. Śruba zaciskowa
3. Dokręcić śruby zaciskowe, a następnie wykonać cięcie próbne, aby sprawdzić ustawienie w pionie.

Wymiana szczotek węglowych

- **Rys.28:** 1. Oznaczenie limitu

Systematycznie sprawdzać szczotki węglowe. Wymieniać je, gdy ich zużycie sięga oznaczenia limitu. Szczotki węglowe powinny być czyste, aby można je było swobodnie wsunąć do opraw. Należy wymieniać obydwie szczotki jednocześnie. Stosować wyłącznie identyczne szczotki węglowe.

1. Za pomocą śrubokręta wyjść zaślepki opraw szczotek węglowych.
2. Wyjąć zużyte szczotki węglowe, włożyć nowe i zabezpieczyć zaślepkami opraw szczotek.
► **Rys.29:** 1. Zaślepka oprawy szczotki

W celu zachowania odpowiedniego poziomu BEZPIECZEŃSTWA i NIEZAWODNOŚCI produktu wszelkie naprawy i różnego rodzaju prace konserwacyjne lub regulacje powinny być przeprowadzane przez autoryzowany lub fabryczny punkt serwisowy narzędzi Makita, zawsze z użyciem oryginalnych części zamiennych Makita.

AKCESORIA OPCJONALNE

⚠ PRZESTROGA: Zaleca się stosowanie wymienionych akcesoriów i przystawek razem z narzędziem Makita opisanym w niniejszej instrukcji. Stosowanie innych akcesoriów lub przystawek może być przyczyną obrażeń ciała. Akcesoria lub przystawki należy wykorzystywać tylko zgodnie z ich przeznaczeniem.

W razie potrzeby wszelkiej pomocy i szczegółowych informacji na temat niniejszych akcesoriów udziela Państwu lokalne punkty serwisowe Makita.

- Piła tarczowa
- Prowadnica wzdluzna
- Klucz imbusowy
- Króciec odpylania (z dźwignią)
- Króciec odpylania (bez dźwigni)
- Szyna prowadząca
- Prowadnica ukośna
- Zacisk

- Taśma
- Taśma gumowa
- Taśma pozycjonująca
- Adapter przewodnicy
- Pręt prowadzący

WSKAZÓWKA: Niektóre pozycje znajdujące się na liście mogą być dołączone do pakietu narzędziowego jako akcesoria standardowe. Mogą to być różne pozycje, w zależności od kraju.

RÉSZLETES LEÍRÁS

Típus:		HS7611
Fűrészlap átmérője		185 – 190 mm
Max. vágási mélység	0°-nál	63 – 65 mm
	45°-os döntésnél	44 – 45 mm
Üresjárat fordulatszám		5 500 min ⁻¹
Teljes hossz		311 mm
Nettó tömeg		3,9 kg
Biztonsági osztály		▣/II

- Folyamatos kutató- és fejlesztőprogramunk eredményeként az itt felsorolt tulajdonságok figyelmeztetés nélkül megváltozhatnak.
- A tulajdonságok országról országra különbözhetnek.
- Súly, az EPTA 01/2014 eljárás szerint

Rendeltetés

A szerszám hosszirányú és keresztirányú, ferde egyenes- és gérvágások végzésére használható faanyagokban, úgy, hogy közben szorosan érintkezik a munkadarabbal. A megfelelő eredeti Makita fűrészlárcsákkal egyéb anyagok is fűrészeltethők.

Tápfeszültség

A szerszámot kizárólag olyan egyfázisú, váltóáramú hálózatra szabad kötni, amelynek feszültsége meg egyezik az adattábláján szereplő feszültséggel. A szerszám kettős szigetelésű, ezért földelővezeték nélküli aljzatról is működtethető.

A 220 V és 250 V közötti feszültséggel rendelkező, nyilvános kiefeszültégű áramelosztó rendszerekben való használatra.

Az elektromos berendezések bekapcsolásakor feszültségingadozások léphetnek fel. Ezen készülék üzemeletése nem megfelelő áramellátási körülmények között kedvezőtlen hatással lehet más berendezések működésére. A 0,33 Ohmmal egyenlő vagy annál kisebb értékű hálózati impedancia esetén feltételezhetően nem lesznek negatív jelenségek. Az ehhez az eszközhöz használt hálózati csatlakozót biztosítókkal vagy lassú kioldási jellemzőkkel rendelkező megszakítóval kell védeni.

Zaj

A tipikus A-súlyozású zajszint, az EN62841 szerint meghatározva:

Hangnyomásszint (L_{pA}): 95 dB(A)

Hangteljesítményszint (L_{WA}): 106 dB (A)

Bizonytalanság (K): 3 dB(A)

▲ FIGYELMEZTETÉS: Viseljen fülvédőt!

Vibráció

A vibráció teljes értéke (háromtengelyű vektorösszeg) az EN62841 szerint meghatározva:

Üzem mód: Fa vágása

Rezgéskibocsátás ($a_{h,W}$): 2,5 m/s² vagy kisebb

Bizonytalanság (K): 1,5 m/s²

MEGJEGYZÉS: A rezgéskibocsátás értéke a szabványos vizsgálati eljárásnak megfelelően lett mérve, és segítségével az elektromos kéziszerszámok összehasonlíthatók egymással.

MEGJEGYZÉS: A rezgéskibocsátás értékének segítségével előzetesen megbecsülhető a rezgésnek való kitettség mértéke.

▲ FIGYELMEZTETÉS: A szerszám rezgéskibocsátása egy adott alkalmazásnál eltérhet a megadott értéktől a használat módjától függően.

▲ FIGYELMEZTETÉS: Határozza meg a kezelő védelmét szolgáló munkavédelmi lépéseket, melyek az adott munkafeltételek melletti vibrációs hatás becsült mértékén alapulnak (figyelembe véve a munkaciklus elemeit, mint például a gép leállításának és üresjáratának mennyiségét az elindítások száma melletti).

EK Megfelelőségi nyilatkozat

Csak európai országokra vonatkozóan

Az EK-megfelelőségi nyilatkozat az útmutató „A” mellékletében található.

BIZTONSÁGI FIGYELMEZTETÉS

A szerszámgépekre vonatkozó általános biztonsági figyelmeztetések

▲ FIGYELMEZTETÉS: Olvassa el a szerszámgéphez mellékelte összes biztonsági figyelmeztetést, utasítást, illusztrációt és a műszaki adatokat. A következőkben leírt utasítások figyelmen kívül hagyása elektromos áramütést, tüzet és/vagy súlyos sérülést eredményezhet.

Őrizzen meg minden figyelmeztetést és utasítást a későbbi tájékozódás érdekében.

A figyelmeztetéseken szereplő "szerszámgép" kifejezés az Ön hálózatról (vezetékes) vagy akkumulátorról (vezeték nélküli) működtetett szerszámgépére vonatkozik.

A körfűrészre vonatkozó biztonsági figyelmeztetések

Vágási eljárások

- ▲ VESZÉLY:** Tartsa kezét távol a fűrészlaptól és a vágás helyétől. Másik kezét tartsa a segédmarkolaton vagy a motorházon. Ha két kézzel tartja a fűrész, akkor a fűrészlap nem vághatja el a kezét.
 - Ne nyúljon a munkadarab alá.** A védőburkolat nem tudja megvédeni Önt a fűrészlaptól a munkadarab alatt.
 - Állítsa a vágási mélységet a munkadarab vastagságával megegyező értékre.** A munkadarab alatt a fűrészlapból egy teljes fognál kevesebbnek kel kilátszania.
 - Vágás közben soha ne kézben tartsa, és soha ne fedtesse az ölébe a munkadarabot. Rögzítse a munkadarabot egy szilárd padozaton.** Nagyon fontos a munkadarab megfelelő alátámasztása, hogy elkerülje a személyi sérüléseket, a fűrészlárcsa meghajlását vagy a gép feletti irányítás elvesztését.
- **Ábra1**
- Tartsa az elektromos szerszámot a szigetelt markolófelületeinél fogva, amikor olyan műveletet végez, amelynél fennáll a veszélye, hogy a vágószerszám rejtett vezetékekbe vagy a saját vezetékébe ütközhet.** Feszültség alatt lévő vezetékekkel való érintkezéskor a szerszámgép alkatrészei is feszültség alá kerülnek, és megrázzhatják a kezelőt.
 - Párhuzamos vágáskor mindig használja a párhuzamvezetőt vagy egy egyenes szélvezetőt.** Ez javítja a vágás pontosságát, és csökkenti a fűrészlap meghajlásának esélyét.
 - Mindig csak megfelelő méretű és alakú (gyémánt vagy kerek) tengelyfuraltal rendelkező fűrészlárcsákat használjon.** Azok a fűrészlárcsák, amelyek nem illeszkednek a rögzítő alkatrészekhez, forgás közben nem maradnak középen, ami irányíthatatlansághoz vezet.

- Soha ne használjon sérült vagy nem megfelelő alátétet vagy csavart a fűrészlapoz.** A fűrészlap alátéteket és a fejescsavart speciálisan ehhez a szerszámhoz tervezték, az optimális teljesítmény és a biztonságos működés biztosítása érdekében.

A visszarúgás okai és az ezzel kapcsolatos figyelmeztetések

- a visszarúgás a szerszám hirtelen reakciója beszorult, beakadt vagy rosszul álló fűrészlárcsa esetén, amely az irányíthatatlan szerszám felemelkedését és kilöklődését okozza a munkadarabról a kezelő irányába;
- amikor a fűrészlárcsa beszorul vagy beakad az összezáródó fűrészjáratban, a fűrészlárcsa megáll, és a motor reakciója a gépet gyorsan a kezelő irányába lendíti;
- ha a fűrészlap megcsavarodik vagy nem áll megfelelően a vágatban, a fűrészlap fogai és hátsó széle belevájja magát a munkadarab felső felületébe, miáltal a fűrészlap kiugrik a fűrészjáratból és a kezelő felé lendül.

A visszarúgás a szerszám helytelen használatának és/vagy a hibás megmunkálási eljárásnak az eredménye és az alább leírt óvintézkedések betartásával elkerülhető.

- Fogja stabilan a szerszámot mindkét kezével és tartsa úgy a karjait, hogy ellen tudjon állni a visszarúgáskor fellépő erőnek. Igazítsa a testét a fűrészlap valamelyik oldalára, de ne egy vonalba a fűrészlappal.** A visszarúgás a szerszám visszaugrását okozhatja, de a visszarúgáskor fellépő erőket a kezelő leküzdheti, ha a megfelelő óvintézkedéseket betartja.
- Amikor a fűrészlap meghajlott, vagy valamire ért meg kell szakítania a vágási műveletet, engedje fel a kioldót és tartsa mozdulatlanul a fűrész az anyagban amíg teljesen meg nem áll. Soha ne próbálja eltávolítani a fűrész a munkadarabból vagy visszahúzni a fűrész amíg a fűrészlap mozgásban van, mert visszarúgás léphet fel.** Figyelje és korrigáló műveletekkel próbálja megelőzni a fűrészlap meghajlását.
- Amikor újra bekapcsolja a fűrész a munkadarabban, állítsa középére a fűrészlárcsát a fűrészjáratban és győződjön meg róla, hogy a fűrészfogak nem kapaszkodnak az anyagba.** Ha a fűrészlárcsa meghajlik, az kijöhet vagy visszarúghat a munkadarabból a szerszám újraindításakor.
- A nagyméretű falapokat támassza alá, hogy elkerülje a fűrészlap beszorulását és a visszarúgást.** A nagyméretű falapok meghajolhatnak saját súlyuk alatt. Támasztékot a falap mindkét oldalára kell tenni, a vágóvonal közelébe és a lap szélétől nem messze.

► Ábra2

► Ábra3

- Ne használjon tompa vagy sérült fűrészlapokat!** A nem elég éles vagy rosszul beállított fűrészlap keskeny fűrészjáratot eredményeznek, amely túlzott súrlódáshoz, a fűrészlap meghajlásához és visszarúgáshoz vezet.
- A fűrészlap mélységének és a ferdevágás szögének beállítására szolgáló reteszleőkarokat meg kell húzni és a vágás megkezdése előtt rögzíteni kell.** Ha a fűrészlap beállítása elmozdul a vágás alatt, akkor a fűrészlap meghajolhat, ami visszarúgást eredményez.

7. Különösen figyeljen oda, amikor meglévő falak vagy más beláthatatlan területek vágására használja a szerszámot. A kiálló fűrészlap olyan tárgyakba vághat bele, amik visszarúgást okozhatnak.
8. **MINDIG tartsa szilárdan a szerszámot mindkét kezével! SOHA ne nyújtsa a kezét, lábát, vagy bármilyen más testrészét a szerszám alaplemeze alá vagy a fűrész mögé, különösen ha harántvágást végez!** Ha visszarágás történik, a fűrész könnyen visszaugorhat a kezein át, komoly sérüléseket okozva.

► Ábra4

9. **Soha ne erőltesse a fűrész!** Olyan sebességgel tolja előre a fűrész, hogy a fűrészlap lassulás nélkül vágjon. A fűrész erőltetése egyetlen vágásokat, a pontosság csökkenését és esetleg visszarúgást okozhat.

Fűrészlapvédő funkció

1. Minden használat ellenőrizze, hogy az alsó fűrészlapvédő megfelelően zár-e. Ne működtesse a fűrész, ha az alsó fűrészlapvédő nem mozog akadálymentesen, és nem zár azonnal. **Soha ne rögzítse vagy kösse ki az alsó fűrészlapvédőt nyitott állásban.** Ha a fűrész véletlenül leesik, akkor az alsó fűrészlapvédő elhajolhat. Emléje fel az alsó fűrészlapvédőt a visszahúzó fogantyúval és ellenőrizze, hogy az szabadon mozog, és nem ér a fűrészlaphoz vagy bármely más alkatrészhez, egyik vágási szögénél vagy vágási mélységénél sem.
2. Ellenőrizze az alsó fűrészlapvédő rugójának működését. Ha védő vagy a rugó nem működik megfelelően, azokat használat előtt meg kell javítani. Az alsó fűrészlapvédő lassan mozoghat sérült alkatrészek, gyantalerakódások vagy hulladék felhalmozódása miatt.
3. **Az alsó fűrészlapvédőt csak összetett vágásokhoz, mint pl. a „leszúró vágás” és a „kombinált vágás”, lehet kézzel felemelni.** Emléje fel az alsó fűrészlapvédőt a visszahúzó karral, majd amint a fűrészlap behatolt az anyagba, az alsó fűrészlapvédőt el kell engedni. Minden más típusú vágáshoz az alsó védőlemeznek automatikusan kell működnie.
4. **Mindig nézze meg, hogy az alsó fűrészlapvédő befedi a fűrészlapot, mielőtt leteszi a szerszámot az asztalra vagy a padlóra.** A védtelen, szabadon forgó fűrészlap miatt a szerszám elmozdulhat, átvágva az útjába kerülő tárgyakat. Ne feledje, hogy a fűrészlap megállásáig valamennyi idő eltelik a kapcsoló felengedése után.
5. **Az alsó fűrészlapvédő ellenőrzéséhez kézzel nyissa ki az alsó fűrészlapvédőt, majd engedje el, és nézze meg, hogy megfelelően záródik-e.** Ellenőrizze azt is, hogy a visszahúzó fogantyú nem érintkezik-e az eszköz motorházával. A fűrészlapot szabadon hagyni NAGYON VESZÉLYES és súlyos személyi sérülést okozhat.

További biztonsági figyelmeztetések

1. Különösen figyeljen oda nedves fa, nyomasztott ragasztott faanyag vagy görcsös fa vágásokor. Haladjon egyenletesen előre a szerszámmal, a fűrészlap sebességének csökkenése nélkül, hogy elkerülje a fűrészlap fogainak túlmelegedését.

2. Ne próbálja meg eltávolítani a levágott anyagot, amikor a fűrészlap még mozog. Várja meg, amíg a fűrészlap megáll, mielőtt megfogja a levágott darabot. A fűrészlap szabadon forog a kikapcsolás után.
3. Kerülje a szegek átvágását. A vágás megkezdése előtt ellenőrizze a fatörzset, és húzza ki belőle az összes szeget.
4. Tegye a fűrész alaplemezeinek szélesebb részét a munkadarab azon részére, amely stabilan alá van támasztva, ne arra a részre, amelyik leesik a vágás végén. Ha a munkadarab rövid vagy kicsi, le kell fogatni. **NE PRÓBÁLJA A RÖVID MUNKADARABOKAT KÉZBEN TARTANI!**

► Ábra5

5. Mielőtt leteszi a szerszámot a vágás befejezése után, győződjön meg róla, hogy az alsó fűrészlapvédő bezáródott és a fűrészlap teljesen megállt.
6. **Soha ne próbáljon a körfűrészrel úgy vágni, hogy azt felfordítva befogja egy satuba!** Ez különösen veszélyes és komoly sérülésekhez vezethet.

► Ábra6

7. Egyes anyagok mérgező vegyületet tartalmazhatnak. Gondoskodjon a por belélegzése elleni és érintés elleni védelemről. Tartsa be az anyag szállítójának biztonsági utasításait.
8. **Ne állítsa meg a tárcsát úgy, hogy oldalirányú nyomást fejt ki a fűrészlapra.**
9. **Ne használjon köszörütárcsákat.**
10. **Csak a szerszámon jelzett vagy a kézikönyvben megadott átmérőjű fűrészlapokat használja.** A nem megfelelő méretű fűrészlap miatt a fűrészlap vagy a védőburkolat nem fogja megfelelően ellátni a funkcióját, ami súlyos személyi sérüléshez is vezethet.
11. **A fűrészlapokat tartsa élesen és tisztán.** A fűrészlapokra keményedett kátrány és fagyanta lelassítja a fűrész és megnöveli a visszarágás kockázatát. Tartsa tisztán a fűrészlapot úgy, hogy először leszereli azt a szerszámról, majd megtisztítja gyanta és kátrányeltávolítóval, forró vízzel vagy kerozinnal. **Soha ne használjon benzint.**
12. **Viseljen pormaszkot és hallásvédőt a szerszám használatakor.**
13. **Mindig ahhoz az anyaghoz illő fűrész tárcsát használjon, amelyet vágni tervez.**
14. **Csak olyan fűrész tárcsákat használjon, amelyek jelzett fordulatszáma megegyezik a szerszámon jelzett fordulatszámmal, vagy nagyobb annál.**
15. **(Csak európai országokra vonatkozóan) Mindig az EN847-1 szabványnak megfelelő tárcsát használjon.**

ŐRIZZE MEG EZEKET AZ UTASÍTÁSOKAT.

▲ FIGYELMEZTETÉS: NE HAGYJA, hogy (a termék többszöri használatából eredő) kényelem és megszokás váltsa fel a termék biztonsági előírásainak szigorú betartását. A **HELYTELEN HASZNÁLAT** és a használati útmutatóban szereplő biztonsági előírások megszegése súlyos személyi sérülésekhez vezethet.

A MŰKÖDÉS LEÍRÁSA

⚠ VIGYÁZAT: Mielőtt ellenőrzi vagy beállítja, mindig bizonyosodjon meg róla, hogy a szerszámot kikapcsolta és a hálózatról lecsatlakoztatta.

A vágási mélység beállítása

⚠ VIGYÁZAT: A vágási mélység beállítása után mindig húzza meg a szabályozókat.

Lazítsa meg a mélységvezetőn található szabályozókat és mozgassa a talplemezt felfelé vagy lefelé. A kívánt vágási mélység beállítása után rögzítse a talplemezt a szabályozókar meghúzásával.

A tisztább és biztonságosabb vágás érdekében úgy állítsa be a vágási mélységet, hogy a fűrészláncnak legfeljebb egy foga nyúljon túl a munkadarabon. A megfelelően megválasztott vágási mélységgel a veszélyes VISSZARÚGÁSOK és az azok okozta személyi sérülések megelőzhetők.

▶ **Ábra7:** 1. Mélységmérő 2. Kar 3. Alaplemez

Ferdevágás

⚠ VIGYÁZAT: A ferdevágási szög beállítása után mindig jól húzza meg a szorítócsavarokat.

Lazítsa ki az első és a hátsó szorítócsavart. Állítsa be a kívánt szöget ($0^\circ - 45^\circ$) a megfelelő döntéssel, majd húzza meg az első és a hátsó szorítócsavart.

▶ **Ábra8:** 1. Szorítócsavar

▶ **Ábra9:** 1. Szorítócsavar

Irányzás

Egyenes vágásokhoz igazítsa a talplemez elején található 0° -os pozíciót a vágásvonalra. A 45° -os ferdevágáshoz igazítsa a 45° -os pontot a vonalra.

▶ **Ábra10:** 1. Vágási vonal (0° -os helyzet) 2. Vágási vonal (45° -os helyzet)

▶ **Ábra11:** 1. Vágási vonal (0° -os helyzet) 2. Vágási vonal (45° -os helyzet)

A kapcsoló használata

⚠ FIGYELMEZTETÉS: A szerszám hálózatra csatlakoztatása előtt mindig ellenőrizze hogy a kapcsológomb megfelelően mozog és visszatér a kikapcsolt (OFF) állapotba elengedése után.

▶ **Ábra12:** 1. Kapcsológomb 2. Kireteszelőgomb

A kapcsoló véletlen működtetését reteszelő gomb gátolja meg. A szerszám bekapcsolásához nyomja be a reteszelőgombot és húzza meg a kapcsológombot. A megállításhoz engedje el a kapcsológombot.

⚠ FIGYELMEZTETÉS: NE gátolja a reteszelő kapcsoló üzemszerű működését azzal, hogy leragasztja, vagy más módon kitémasztja. Az üzemszerűtől tett kapcsoló a gép szándékolatlan beindulásához vezethet, ami súlyos személyi sérüléssel járhat.

⚠ FIGYELMEZTETÉS: SOHA ne használja ezt a szerszámot, ha az akkor is beindul amikor Ön a reteszelőgomb megnyomása nélkül húzza meg a kapcsológombot. A javításra szoruló kapcsoló a gép szándékolatlan beindulásához vezethet, ami súlyos személyi sérüléssel járhat. A további használat ELŐTT vigye a szerszámot javításra egy MAKITA szervizközpontba.

MEGJEGYZÉS: Ne húzza túlzott erővel a kapcsológombot úgy, hogy nem nyomta be a reteszelőgombot. Ez a kapcsoló törését okozhatja.

ÖSSZESZERELÉS

⚠ VIGYÁZAT: Mielőtt bármilyen munkálatot végezne rajta, mindig bizonyosodjon meg arról hogy a szerszámot kikapcsolta és a hálózatról lecsatlakoztatta.

A körfűrészlánc eltávolítása és felhelyezése

⚠ VIGYÁZAT: Ügyeljen arra, hogy a körfűrészláncot úgy szerelje fel, hogy a fogak a szerszám elejénél felfelé mutassanak.

⚠ VIGYÁZAT: A körfűrészlánc felszereléséhez vagy eltávolításához csak a Makita kulcsot használja.

1. A körfűrészlánc eltávolításához nyomja be teljesen a tengelyreteszt, hogy a körfűrészlánc ne tudjon elfordulni, és az óramutató járásával ellentétes irányban forgatva lazítsa meg az imbuszcsavart az imbuszkulccsal.

▶ **Ábra13:** 1. Imbuszkulcs 2. Tengelyretesz 3. Imbuszcsavar 4. Külső illesztőperem 5. Lazítás 6. Meghúzás

2. Távolítsa el az imbuszcsavart és a külső illesztőperemet.

3. Fordítsa el a kart a fűrészlapvédő kinyitásához.

▶ **Ábra14:** 1. Kar

4. Távolítsa el a fűrészláncot és a gyűrűt (az országtól függően eltér).

Gyűrű nélküli szerszám

- **Ábra15:** 1. Imbuszcsonvart 2. Külső illesztőperem
3. Körfűrész tárcsa 4. Belső illesztőperem

Gyűrűvel felszerelt szerszám

- **Ábra16:** 1. Imbuszcsonvart 2. Külső illesztőperem
3. Körfűrész tárcsa 4. Gyűrű 5. Belső illesztőperem

A körfűrész tárcsa felszereléséhez kövesse a leszerelési eljárást fordított sorrendben.

15,88 mm-es belső furatátmérőtől eltérő belső illesztőperemmel rendelkező fűrész tárcsa esetén

A belső illesztőperem bizonyos átmérőjű kiemelkedéssel rendelkezik az egyik oldalán, valamint egy eltérő átmérőjű kiemelkedéssel rendelkezik a másik oldalán. Válassza ki azt az oldalt, melynek kiemelkedése tökéletesen beleillik a fűrész tárcsa nyílásába. Ezután szerelje fel a belső illesztőperemet a tartótengelyre úgy, hogy a belső illesztőperem megfelelő kiemelkedéssel rendelkező oldala kifelé nézzen, majd helyezze fel a fűrész tárcsát és a külső illesztőperemet.

- **Ábra17:** 1. Tartótengely 2. Belső illesztőperem
3. Körfűrész tárcsa 4. Külső illesztőperem
5. Imbuszcsonvart

▲ FIGYELMEZTETÉS: AZ IMBUSZCSAVART AZ ÓRAMUTATÓ JÁRÁSÁVAL EGYEZŐ IRÁNYBAN SZOROSAN HÚZZA MEG. Arra is ügyeljen, hogy ne erőltesse a csavart. Ha lecsúszik a keze az imbuszkulcsról, személyi sérülés következhet be.

▲ FIGYELMEZTETÉS: Ügyeljen arra, hogy a kifelé néző „a” kiemelkedés a belső illesztőperemen tökéletesen illeszkedjen a fűrész tárcsa „a” nyílásába. Amennyiben a fűrész lapot a rossz oldalra szereli fel, veszélyes rezgés jöhet létre.

15,88 mm-es belső furatátmérővel rendelkező, belső illesztőperemet használó fűrész tárcsához (az országra jellemző)

Helyezze fel a hornyolt oldalával kifelé néző belső illesztőperemet a tartótengelyre, majd helyezze fel a fűrész tárcsát (a mellékelt gyűrűvel, ha szükséges), a külső illesztőperemet és az imbuszcsonvart.

Gyűrű nélküli szerszám

- **Ábra18:** 1. Tartótengely 2. Belső illesztőperem
3. Körfűrész tárcsa 4. Külső illesztőperem
5. Imbuszcsonvart

Gyűrűvel felszerelt szerszám

- **Ábra19:** 1. Tartótengely 2. Belső illesztőperem
3. Körfűrész tárcsa 4. Külső illesztőperem
5. Imbuszcsonvart 6. Gyűrű

▲ FIGYELMEZTETÉS: AZ IMBUSZCSAVART AZ ÓRAMUTATÓ JÁRÁSÁVAL EGYEZŐ IRÁNYBAN SZOROSAN HÚZZA MEG. Arra is ügyeljen, hogy ne erőltesse a csavart. Ha lecsúszik a keze az imbuszkulcsról, személyi sérülés következhet be.

▲ FIGYELMEZTETÉS: Ha gyűrűvel kell felszerelni a fűrész tárcsát a tengelyre, mindig ellenőrizze, hogy a használni kívánt fűrész tárcsa tengely furatának megfelelő gyűrű van-e a belső és külső illesztőperem közé helyezve. A tengely furatnak nem megfelelő gyűrű használata esetén a fűrész tárcsát nem lehet megfelelően felszerelni, az elmozdulva jelentős rezgést kelthet, ami a szerszám feletti uralom elvesztésével és súlyos személyi sérülésekkel járhat.

Fűrész lapvédő tisztítása

A körfűrész tárcsa cseréjekor ügyeljen rá, hogy megtisztítsa a felső és alsó fűrész lapvédőt a lerakódott fűrészportól a Karbantartás fejezetben ismertetett módon. Ezek a műveletek ugyanakkor nem helyettesítik az alsó fűrész lapvédő működésének minden használat előtt szükséges ellenőrzését.

Az imbusz kulcs tárolása

Amikor nem használja, tárolja az imbusz kulcsot az ábrán látható módon, nehogy elveszzen.

- **Ábra20:** 1. Imbusz kulcs

Porszívó csatlakoztatása

Opcionális kiegészítők

Ha tiszta vágást szeretne végezni, a porkifúvó segítségével csatlakoztasson egy Makita porszívót a szerszámhoz.

1. Ha a körfűrész hosszú karral rendelkezik (országfüggő), cserélje ki azt a porkifúvóhoz mellékelt rövid karral.

- **Ábra21:** 1. Hosszú kar (országfüggő) 2. Csavart
3. Rövid kar

Ne használja a porkifúvót akkor, amikor a szerszámhoz a hosszú kar van csatlakoztatva. Ebben az állapotban nem lehet vágni, mert a porkifúvó akadályozza az alsó fűrész lapvédő mozgását.

2. A csavart segítségével szerelje fel a porkifúvót a szerszámra.

- **Ábra22:** 1. Porkifúvó 2. Csavart

3. Csatlakoztassa a porszívó csövét a porkifúvóhoz.

- **Ábra23:** 1. Gégecső 2. Porszívó

MŰKÖDTETÉS

▲VIGYÁZAT: Figyeljen oda, hogy a szerszámot egyenes vonal mentén, folyamatosan tolja előre. A szerszám erőltetése vagy csavarása a motor túlmelegedéséhez vezet, valamint veszélyes visszarágásokat eredményez, amelyek súlyos sérüléseket okozhatnak.

▲VIGYÁZAT: A műveletek során mindig használja az előlő markolatot és a hátsó fogantyút, és szilárdan tartsa a szerszámot az előlő markolatnál és a fő fogantyújánál fogva.

► Ábra24

Biztosan tartsa a szerszámot. A szerszám előlő markolattal és hátsó fogantyúval van ellátva. A szerszámot mindkettőnél fogva tartsa. Ha két kézzel tartja a fűrészét, akkor a körfűrész tárcsa nem vághatja el a kezét. A szerszám talpát helyezze a vágandó munkadarabra, úgy, hogy a körfűrész tárcsa ne érintkezzen vele. Ezután kapcsolja be a szerszámot, majd várja meg, amíg a körfűrész tárcsa eléri maximális fordulatszámát. Ekkor mozgassa előre a szerszámot a munkadarab felszínén úgy, hogy közben laposan tartja, és finoman tolja előre, míg a vágás be nem fejeződik.

A tiszta vágás érdekében tartsa egyenesen a vágási vonalat, és alkalmazzon egyenes elöretolási sebességet. Ha a vágás nem követi megfelelően a kívánt vágási vonalat, ne próbálja meg a szerszámot elfordítani vagy visszaerőltetni a vonalra! Ekkor ugyanis a körfűrész tárcsa megakadhat, ami veszélyes visszarágáshoz és súlyos sérüléshez vezethet. Engedje fel a kapcsolót, várja meg, hogy a körfűrész tárcsa leálljon, majd emelje el a munkadarabról a szerszámot. Állítsa rá a szerszámot az új vágási vonalra, majd kezdje meg ismét a vágást. Próbálja meg elkerülni azt a testhelyzetet, amelynél a szerszám kezelője a fűrész által kidobott forgácsok és fűrészpor útjába kerül. Használjon védőszemüveget a sérülések megelőzése érdekében.

Párhuzamvezető (vezetővonalzó)

Opcionális kiegészítők

- **Ábra25:** 1. Párhuzamvezető (vezetővonalzó)
2. Szorítócsavar

A praktikus párhuzamvezető extra pontos egyenes vágások elvégzését teszi lehetővé. Egyszerűen illessze a párhuzamvezetőt a munkadarab oldalához, és rögzítse azt a talplemez elején található csavarral. Ezzel lehetővé válik egymás után több azonos szélességű vágás is.

KARBANTARTÁS

▲VIGYÁZAT: Mielőtt a vizsgálatához vagy karbantartásához kezdene, mindig bizonyosodjon meg arról hogy a szerszámot kikapcsolta és a hálózatról lecsatlakoztatta.

▲VIGYÁZAT: Tisztítsa ki a fűrészlapvédőt a felgyült fűrészportól, amely gátolhatja az alsó védőrendszer megfelelő működését. A szennyezett védőrendszer korlátozhatja a megfelelő működést, ami súlyos személyi sérüléshez vezethet. A tisztítást leghatékonyabban sűrített levegővel végezheti el. Ha port fúvat ki a fűrészlapvédőből, viseljen megfelelő szem- és légzésvédő eszközt.

MEGJEGYZÉS: Soha ne használjon gázolajt, benzint, hígítót, alkoholt vagy hasonló anyagokat. Ezek elszineződést, alakvesztést vagy repedést okozhatnak.

A párhuzamosság beállítása

Ezt a beállítást a gyárban már elvégezték. Ha viszont elállítódott, az alábbi eljárással beállíthatja.

1. Ügyeljen arra, hogy minden kar és csavar rögzítve legyen. Enyhén lazítsa meg a csavart az ábrán láthatott szerint.

► **Ábra26:** 1. Csavar 2. Alaplemez

2. Mialatt kinyitja az alsó fűrészlapvédőt, állítsa be a talplemez hátsó részét úgy, hogy az A és B távolság egyenlő legyen.

3. Húzza meg a csavarokat, és végezzen egy próbavágást a párhuzamosság ellenőrzésére.

A 0°-os vágási pontosság beállítása

Ezt a beállítást a gyárban már elvégezték. Ha viszont elállítódott, az alábbi eljárással beállíthatja.

1. Enyhén lazítsa meg a szorítócsavarokat a szerszám első és hátsó részén.

2. Állítsa a talplemezt a tárcsával merőlegesre egy háromszögvonalzó vagy egy derékszög vonalzó segítségével, a beállítócsavar forgatásával.

► **Ábra27:** 1. Háromszögvonalzó 2. Alaplemez
3. Beállítócsavar 4. Szorítócsavar

3. Húzza meg a szorítócsavarokat, majd végezzen egy próbavágást a függőlegesség ellenőrzésére.

A szénkefék cseréje

► **Ábra28:** 1. Határjelzés

Cserélje rendszeresen a szénkeféket.

Cserélje ki azokat amikor lekopnak egészen a határjelzésig. Tartsa tisztán a szénkeféket és biztosítsa hogy szabadon mozoghassanak tartójukban. Mindkét szénkefét egyszerre cserélje ki. Használjon egyforma szénkeféket.

1. Csavarhúzó segítségével távolítsa el a kefetartó sapkákat.
2. Vegye ki a kopott szénkeféket, tegye be az újakat és helyezze vissza a kefetartó sapkákat.

► **Ábra29:** 1. Kefetartó sapka

A termék BIZTONSÁGÁNAK és MEGBÍZHATÓSÁGÁNAK fenntartása érdekében a javításokat és más karbantartásokat vagy beállításokat a Makita hivatalos vagy gyári szervizközpontjában kell elvégezni, mindig csak Makita cserealkatrészeket használva.

OPCIONÁLIS KIEGÉSZÍTŐK

⚠ VIGYÁZAT: Ezen kiegészítőket és tartozékokat javasoljuk a kézikönyvben ismertetett Makita szerszámhoz. Bármilyen más kiegészítő vagy tartozék használata a személyi sérülés kockázatával jár. A kiegészítőt vagy tartozékot csak rendeltetésszerűen használja.

Ha bármilyen segítségre vagy további információkra van szüksége ezekkel a tartozékokkal kapcsolatban, keresse fel a helyi Makita Szervizközpontot.

- Körfűrész tárcsa
- Párhuzamvezető (vezetővonalzó)
- Imbuszkulcs
- Porkifúvó (karral)
- Porkifúvó (kar nélkül)
- Vezetősín
- Ferde megvezető
- Szorító
- Lap
- Gumilap
- Pozicionáló lap
- Vezetősín-adapter
- Vezetőrúd

MEGJEGYZÉS: A listán felsorolt néhány kiegészítő megtalálható az eszköz csomagolásában standard kiegészítőként. Ezek országonként eltérőek lehetnek.

TECHNICKÉ ŠPECIFIKÁCIE

Model:		HS7611
Priemer čepele		185 – 190 mm
Maximálna hĺbka rezu	pri 0°	63 – 65 mm
	v skosenom uhle 45°	44 – 45 mm
Otáčky naprázdno		5 500 min ⁻¹
Celková dĺžka		311 mm
Čistá hmotnosť		3,9 kg
Trieda bezpečnosti		▣/II

- Vzhľadom na neustály výskum a vývoj podliehajú technické údaje uvedené v tomto dokumente zmenám bez upozornenia.
- Technické údaje sa môžu pre rôzne krajiny líšiť.
- Hmotnosť podľa postupu EPTA 01/2014

Určené použitie

Tento nástroj je určený na vykonávanie pozdĺžnych a pričných priamych rezov a zrezávanie dreva v uhloch s pevným kontaktom s obrobkom. Pomocou správnych originálnych čepelí píly značky Makita môžete rezať aj iné materiály.

Napájanie

Nástroj sa môže pripojiť len k zodpovedajúcemu zdroju s napätím rovnakým, aké je uvedené na typovom štítku, a môže pracovať len s jednofázovým striedavým napätím. Nástroj je vybavený dvojistou izoláciou, a preto sa môže používať pri zapojení do zásuviek bez uzemňovacieho vodiča.

Pre verejné nízkonapäťové rozvodné systémy s napätím 220 V až 250 V

Prepínanie elektrického zariadenia spôsobuje kolísanie napätia. Prevádzka tohto zariadenia za nepriaznivých podmienok v sieti môže mať nepriaznivý vplyv na prevádzku iných zariadení. Pri impedancii siete rovnjej alebo nižšej než 0,33 ohmov možno predpokladať, že nenastanú žiadne negatívne účinky. Sieťová zástrčka použitá pre toto zariadenie musí byť chránená poistkou alebo ochranným ističom s pomalými charakteristikami vypínania.

Hluk

Typická hladina akustického tlaku záťaže A určená podľa štandardu EN62841:
 Úroveň akustického tlaku (L_{pA}) : 95 dB (A)
 Úroveň akustického tlaku (L_{WA}) : 106 dB (A)
 Odchýlka (K): 3 dB (A)

VAROVANIE: Používajte ochranu sluchu.

Vibrácie

Celková hodnota vibrácií (trojosový vektorový súčet) určená podľa štandardu EN62841:
 Režim činnosti: rezanie dreva
 Emisie vibrácií ($a_{h,W}$) : 2,5 m/s² alebo menej
 Odchýlka (K): 1,5 m/s²

POZNÁMKA: Deklarovaná hodnota emisií vibrácií bola meraná podľa štandardnej skúšobnej metódy a môže sa použiť na porovnanie jedného nástroja s druhým.

POZNÁMKA: Deklarovaná hodnota emisií vibrácií sa môže použiť aj na predbežné posúdenie vystavenia ich účinkom.

VAROVANIE: Emisie vibrácií počas skutočného používania elektrického nástroja sa môžu odlišovať od deklarovanej hodnoty emisií vibrácií, a to v závislosti od spôsobov používania náradia.

VAROVANIE: Nezabudnite označiť bezpečnostné opatrenia s cieľom chrániť obsluhu, a to tie, ktoré sa zakladajú na odhade vystavenia účinkom v rámci reálnych podmienok používania (berúc do úvahy všetky súčasti prevádzkového cyklu, ako sú doby, kedy je nástroj vypnutý a kedy beží bez zaťaženia, ako dodatok k dobe zapnutia).

Vyhlasenie o zhode ES

Len pre krajiny Európy

Vyhlasenie o zhode ES sa nachádza v prílohe A tohto návodu na obsluhu.

BEZPEČNOSTNÉ VAROVANIA

Všeobecné bezpečnostné predpisy pre elektrické nástroje

VAROVANIE: Preštudujte si všetky bezpečnostné varovania, pokyny, vyrobzenia a technické špecifikácie určené pre tento elektrický nástroj. Pri nedodržaní všetkých nižšie uvedených pokynov môže dôjsť k úrazu elektrickým prúdom, požiaru alebo vážnemu zraneniu.

Všetky výstrahy a pokyny si odložte pre prípad potreby v budúcnosti.

Pojem „elektrický nástroj“ sa vo výstrahách vzťahuje na elektricky napájané elektrické nástroje (s káblom) alebo batériou napájané elektrické nástroje (bez kábla).

Bezpečnostné výstrahy pre kotúčovú pílu

Postupy rezania

- NEBEZPEČENSTVO:** Ruky držte mimo oblasti rezania a čepele. Druhú ruku držte na pomocnej rúčke alebo kryte motora. Ak držíte pílu oboma rukami, neporežete si ich čepeľou.
 - Nesiahajte pod obrobok. Kryt vás neochráni pred čepeľou pod obrobkom.
 - Hĺbku rezania prispôbte hrúbke obrobku. Čepeľ by nemala presahovať pod obrobok o viac ako celý zub čepele.
 - Počas rezania nikdy nedržte obrobok rukami ani krížom cez nohu. Zaistíte obrobok k stabilnému povrchu. Je dôležité obrobok správne podprieť, aby sa minimalizovalo vystavenie tela, riziko zovretia ostria alebo strata kontroly.
- Obr.1
- Ak pri práci hrozí, že by sečné náradie mohlo prísť do kontaktu so skrytým vedením alebo vlastným káblom, držte elektrický nástroj len za izolované povrchy určené na držanie. Kontakt s vodičom pod napätím môže spôsobiť prenos napätia do nechránených kovových častí elektrického nástroja a ohroziť tak obsluhu zasiahnutím elektrickým prúdom.
 - Pri pozdĺžnom rezaní vždy používajte vodidlo na pozdĺžne rezanie alebo vodiaci prvok s rovným okrajom. Taktó vylepšíte presnosť rezu a znížite možnosť zaseknutia čepele.
 - Vždy používajte čepele so správnou veľkosťou a tvarom otvorov na hriadeľ (diamantový alebo okrúhly). Čepele, ktoré nezodpovedajú spôsobu uchytienia na píle, sa budú pohybovať excentricky a spôsobia stratu kontroly.

- Nikdy nepoužívajte poškodené alebo nesprávne podložky alebo maticové skrutky na čepeľ. Podložky alebo maticové skrutky na čepeľ boli špeciálne vyrobené pre vašu pílu na dosiahnutie optimálneho výkonu a bezpečnej prevádzky.

Príчины spätného nárazu a príslušné varovania

- spätný náraz je náhla reakcia na zovretú, zaseknutú alebo vyosenú čepeľ píly, ktorá spôsobí nekontrolované nadvihnutie a odhodenie píly od obrobku smerom k obsluhujúcej osobe;
 - keď sa čepeľ zovrie alebo tesne zablokuje zvierajúcim sa zárezom, čepeľ stratí rýchlosť a reakcia motora rýchlo odrazí jednotku dozadu smerom k obsluhujúcej osobe;
 - ak sa čepeľ v reze skrúti alebo vyosí, zuby na jednom okraji čepele sa môžu zarezat do horného povrchu dreva a spôsobiť zdvihnutie čepele zo zárezu a dozadu smerom k obsluhujúcej osobe.
- Spätný náraz je výsledok nesprávneho používania píly a/alebo nesprávnych prevádzkových postupov alebo podmienok a možno sa mu vyhnúť vykonaním príslušných protipatrení uvedených nižšie.

- Pílu držte pevne oboma rukami a ramená držte tak, aby ste odolali sile spätného nárazu. Postavte sa k čepeľi zbokou, nestojte v línii čepele. Spätný náraz by mohol spôsobiť odskočenie píly dozadu, ale spätý náraz môže obsluhujúca osoba zvládnuť, ak vykoná príslušné protipatrenia.
 - Keď sa čepeľ zovrie alebo keď z nejakého dôvodu prerušíte rezanie, uvoľnite spínač a držte pílu bez pohnutia v materiáli, kým sa čepeľ úplne nezastaví. Nikdy nevyberajte pílu zo zárezu ani ju neťahajte dozadu, kým sa čepeľ píly pohybuje, inak môže dôjsť k spätnému nárazu. Zistíte a vykonajte nápravne kroky a eliminujte príčinu zvierania čepele.
 - Pri opätovnom spúšťaní píly v obrobku vycentrujte čepeľ píly v záreze a skontrolujte, či zuby píly nie sú vnorené do materiálu. Ak je čepeľ píly zovretá, môže sa pri opätovnom spustení píly vysunúť zo zárezu alebo odraziť od obrobku.
 - Veľké panely podporite, aby sa minimalizovalo riziko zovretia alebo spätného nárazu čepele. Veľké panely sa môžu prehýbať pod vlastnou váhou. Podpery treba umiestniť pod panel na oboch stranách do blízkosti línie rezu a do blízkosti okraja panela.
- Obr.2
- Obr.3
- Nepoužívajte tupé alebo poškodené čepele. Nenaostrené alebo nesprávne pripravené čepele vytvárajú úzky zárez, čo spôsobuje nadmerné trenie, zovretie čepele a spätý náraz.
 - Zaist'ovacie páčky nastavenia hĺbky a skosenia čepele musia byť pred rezaním utiahnuté a zaistené. Pohyb nastavenia čepele počas rezania môže viesť k zovretiu a spätnému nárazu.
 - Pri rezaní do existujúcich stien alebo iných zakrytých plôch venujte práci maximálnu pozornosť. Prenikajúca čepeľ môže prezať predmety s dôsledkom spätného nárazu.

8. **VŽDY držte nástroj pevne oboma rukami. NIKDY nedávajte ruku, nohu či ľubovoľnú časť tela pod základnú časť nástroja alebo za pílu, najmä pri vykonávaní priečných rezov.** Ak dôjde k spätnému nárazu, píla by mohla ľahko odskočiť dozadu na vašu ruku, čo by mohlo spôsobiť vážne poranenie.

► **Obr.4**

9. **Nikdy pílu nepritláčajte nasilu. Pílu tlačte dopredu takou rýchlosťou, aby ostrie rezalo bez spomalenia.** Prítlačaním píly vznikne nerovnomerný rez, zníži sa presnosť a hrozí možný spätný náraz.

Funkcia krytu

1. **Pred každým použitím skontrolujte, či sa spodný kryt správne uzavrel. Pílu nepoužívajte, ak sa spodný kryt nepohybuje voľne a okamžite sa neuzavrie. Nikdy neupínajte ani neupevňujte spodný kryt v otvorenej polohe.** Ak vám píla náhodou spadne, spodný kryt sa môže ohnúť. Nadvihnite spodný kryt pomocou zaťahovacej rúčky a skontrolujte, či sa pohybuje voľne a nedotýka sa ostria ani žiadnej inej časti vo všetkých rezných uhloch a hĺbkach.
2. **Skontrolujte funkčnosť pružiny spodného krytu. Ak kryt a pružina nefungujú správne, pred použitím ich treba opraviť.** Spodný kryt sa môže pohybovať pomaly, keď má poškodené časti, je zalepený nahromadenými zvyškami alebo nánosmi.
3. **Spodný kryt treba zatiahnuť manuálne len pri špeciálnych rezoch, ako sú „zapichovacie rezy“ a „zložené rezy“.** Nadvihnite spodný kryt pomocou zaťahovacej rúčky a pri preniknutí čepele do materiálu kryt uvoľníte. Pri všetkých ostatných spôsoboch pílenia by sa mal spodný kryt pohybovať automaticky.
4. **Pred tým, ako pílu položíte na stôl alebo dĺžku, skontrolujte, či spodný kryt zakrýva ostrie.** Nechránená čepeľ v pohybe spôsobí spätný pohyb píly, pričom prereže všetko, čo jej bude stáť v ceste. Majte na pamäti, že čepeľ trvá istý čas, kým sa po uvoľnení spínača zastaví.
5. **Ak chcete skontrolovať spodný kryt, otvorte ho rukou, potom ho uvoľnite a sledujte, ako sa uzavrie.** Skontrolujte aj to, či sa zaťahovacia rúčka nedotýka puzdra nástroja. Obnažené ostrie je VELMI NEBEZPEČNÉ a môže zapríčiniť vážne zranenie.

Doplňujúce bezpečnostné varovania

1. **Pri rezaní vlhkého dreva, tlakom upraveného stavebného dreva alebo dreva obsahujúceho hrče postupujte mimoriadne opatrne.** Zachovávajúce plynulý posuv nástroja bez znížovania rýchlosti čepele, aby ste predišli prehrievaniu hrotov čepele.
2. **Nepokúšajte sa odstraňovať rezaný materiál, kým sa čepeľ pohybuje. Než uchopíte odrezaný materiál, počkajte, kým sa čepeľ zastaví.** Čepeľ sa po vypnutí zastavuje postupne.
3. **Nerezte klinec.** Pred rezaním skontrolujte, či na stavebnom dreve nie sú klinec, a v prípade potreby ich odstráňte.

4. **Širšiu časť základne píly položte na tú časť obrobku, ktorá je pevne podopretá, nie na časť, ktorá odpadne po vykonaní rezu. Ak je obrobok krátky alebo malý, upnite ho svorkou. KRÁTKE KUSY NIKDY NEDRŽTE V RUKU!**

► **Obr.5**

5. **Pred odtiahnutím nástroja po vykonaní rezu vždy počkajte, kým sa dolný kryt zatvorí a čepeľ sa úplne zastaví.**
6. **Nikdy sa nesnažte píliť s kotúčovou pilou uchytenou vo zveráku spodnou časťou nahor. Takýto postup je extrémne nebezpečný a môže spôsobiť závažné nehody.**

► **Obr.6**

7. **Niektoré materiály obsahujú chemikálie, ktoré môžu byť jedovaté. Dávajte pozor, aby ste ich nevdychovali ani sa ich nedotýkali. Prečítajte si bezpečnostné informácie dodávateľa materiálu.**
8. **Čepele nezastavujte bočným tlakom na čepeľ píly.**
9. **Nepoužívajte žiadne brúsne kotúče.**
10. **Používajte čepeľ píly len s takým priemerom, aký je vyznačený na nástroji alebo aký je uvedený v návode.** Používanie čepele nesprávnej veľkosti môže negatívne ovplyvniť správnu ochranu čepele alebo činnosť krytu, v dôsledku čoho hrozí zranenie osôb.
11. **Čepeľ udržiavajte ostrú a čistú.** Guma a živica zatvrdnuté na čepeľi spomaľujú pílu a zvyšujú riziko spätného nárazu. Čepeľ udržiavajte čistú – vyberte ju z nástroja a potom ju vyčistite látkou na odstránenie gumy a živice, horúcou vodou alebo petrolejom. Nikdy nepoužívajte benzín.
12. **Pri práci s nástrojom používajte protiprachovú masku a ochranu sluchu.**
13. **Vždy používajte čepeľ píly určenú na rezanie materiálu, ktorý idete rezať.**
14. **Používajte len čepele píly s vyznačenou maximálnou rýchlosťou, ktorá sa rovná alebo je vyššia ako rýchlosť vyznačená na nástroji.**
15. **Len pre krajiny Európy**
Vždy používajte čepeľ, ktorá zodpovedá norme EN847-1.

TIETO POKYNY USCHOVAJTE.

⚠VAROVANIE: NIKDY nepripustíte, aby seba-vedomie a dobrá znalosť výrobku (získané opakovaným používaním) nahradili presné dodržiavanie bezpečnostných pravidiel pri používaní náradia. **NESPRÁVNE POUŽÍVANIE** alebo nedodržiavanie bezpečnostných zásad uvedených v tomto návode môže viesť k vážnemu zraneniu.

OPIS FUNKCIÍ

▲POZOR: Pred nastavením nástroja alebo kontrolou jeho funkcie sa vždy presvedčte, že je vypnutý a vytiahnutý zo zásuvky.

Nastavenie hĺbky rezu

▲POZOR: Po nastavení hĺbky rezu vždy pevne dotiahnite páčku.

Uvoľnite páčku na pravítku hĺbky a posuňte stôl nahor alebo nadol. Na požadovanej hodnote hĺbky rezu stôl zaistíte dotiahnutím páčky. Čistejšie a bezpečnejšie rezy dosiahnete nastavením hĺbky rezu, pri ktorej pod obrobkom prečnieva len jeden zub čepele. Používanie správnej hĺbky rezu pomáha znížiť výskyt prípadných nebezpečných SPÁTŇÝCH NÁRAZOV, ktoré môžu spôsobiť zranenie osôb.
► **Obr.7:** 1. Hĺbkomer 2. Páčka 3. Stôl

Skosené rezanie

▲POZOR: Po nastavení uhla skosenia vždy dôkladne dotiahnite upínacie skrutky.

Uvoľnite predné a zadné upínacie skrutky. Správnym naklonením nastavte do požadovaného uhla (0° – 45°) a potom upínacie skrutky dôkladne utiahnite.
► **Obr.8:** 1. Uťahovacia skrutka
► **Obr.9:** 1. Upínacia skrutka

Nastavenie polohy

Priame rezy dosiahnete vyrovnaním polohy 0° na prednej strane podložky s vašou líniou rezu. V prípade 45° skosených rezov zarovnajete s líniou rezu polohu 45°.
► **Obr.10:** 1. Línia rezu (poloha 0°) 2. Línia rezu (poloha 45°)
► **Obr.11:** 1. Línia rezu (poloha 0°) 2. Línia rezu (poloha 45°)

Zapínanie

▲VAROVANIE: Pred pripojením nástroja do zásuvky vždy skontrolujte, či spúšťací spínač funguje správne a po uvoľnení sa vracia do vypnutej polohy.

► **Obr.12:** 1. Spúšťací spínač 2. Tlačidlo odomknutia

Nástroj je vybavený tlačidlom odomknutia, aby nedochádzalo k náhodnému stlačeniu spúšťacieho spínača. Ak chcete spustiť nástroj, stlačte tlačidlo odomknutia a potiahnite spúšťací spínač. Nástroj zastavíte uvoľnením spúšťacieho spínača.

▲VAROVANIE: NIKDY neobchádzajte použitie tlačidla odomknutia jeho prilpením v stlačenej polohe alebo inými prostriedkami. Spínač s vyradeným tlačidlom odomknutia môže spôsobiť náhodné spustenie s dôsledkom vážnych osobných poranení.

▲VAROVANIE: NIKDY nepoužívajte nástroj, ak sa spustí pri stlačení len spúšťacieho spínača bez stlačenia tlačidla odomknutia. Vypínač, ktorý potrebuje opravu, môže spôsobiť náhodné spustenie a vážne osobné poranenie. PRED ďalším použitím vráťte nástroj do servisného centra Makita, kde ho dôkladne opravia.

UPOZORNENIE: Spúšťací spínač silno nestlačajte bez stlačenia tlačidla odomknutia. Môže to spôsobiť zlomenie spínača.

ZOSTAVENIE

▲POZOR: Skôr než začnete na nástroji robiť akékoľvek práce, vždy sa predtým presvedčte, že je vypnutý a vytiahnutý zo zásuvky.

Demontáž alebo montáž čepele kotúčovej píly

▲POZOR: Uistite sa, že je čepeľ kotúčovej píly vložená tak, aby zuby smerovali k prednej časti nástroja.

▲POZOR: Na vloženie alebo vybratie čepele kotúčovej píly používajte výhradne kľúč spoločnosti Makita.

1. Pri demontáži čepele kotúčovej píly úplne stlačte poistku hriadeľa tak, aby sa čepeľ kotúčovej píly nemohla otočiť a prísľušným šesťhranným imbusovým kľúčom uvoľnite skrutku so šesťhrannou hlavou proti smeru hodinových ručičiek.

► **Obr.13:** 1. Šesťhranný imbusový kľúč 2. Poistka hriadeľa 3. Skrutka so šesťhrannou hlavou 4. Vonkajšia príruha 5. Uvoľniť 6. Uťahnuť

2. Odstráňte skrutku so šesťhrannou hlavou a vonkajšiu príruhu.

3. Otočením páčky otvorte chránič čepele.

► **Obr.14:** 1. Páčka

4. Odmontujte čepeľ a krúžok (špecifické pre danú krajinu).

Pre nástroj bez prstenca

► **Obr.15:** 1. Skrutka so šesťhrannou hlavou 2. Vonkajšia príruha 3. Čepeľ kotúčovej píly 4. Vnútorňá príruha

Pre nástroj s prstencom

► **Obr.16:** 1. Skrutka so šesťhrannou hlavou 2. Vonkajšia príruha 3. Čepeľ kotúčovej píly 4. Krúžok 5. Vnútorňá príruha

Pri montáži čepele kotúčovej píly vykonajte kroky demontáže v opačnom poradí.

Pre náradie s vnútornou prírubou na čepeľ píly s priemerom otvoru iným ako 15,88 mm

Vnútorná príruha má výčnelok určitého priemeru na svojej jednej strane a výčnelok iného priemeru na druhej strane. Vyberte správnu stranu, na ktorej výčnelok dobre zapadne do otvoru na čepeľ píly. Namontujte vnútornú prírubu na montážny hriadeľ, a to tak, aby správna strana s výčnelkom na vnútornej prírubе smerovala von; následne nasadte čepeľ píly a vonkajšiu prírubu.

- **Obr.17:** 1. Montážny hriadeľ 2. Vnútorná príruha
3. Čepeľ kotúčovej píly 4. Vonkajšia príruha
5. Šesťhranná skrutka

VAROVANIE: SKRUTKU SO ŠEŠŤHRANNOU HLAVOU DÔKLADNE UTIAHNITE V SMERE HODINOVÝCH RUČÍČIEK. Skrutku nedotáhajte nadmernou silou. Zošmyknutie ruky zo šesťhranného kľúča môže spôsobiť zranenie.

VAROVANIE: Dávajte pozor, aby výčnelok „a“ na vnútornej prírubе smerujúci von presne dosadol do otvoru „a“ na čepeľ píly. Namontovanie čepele na nesprávnu stranu môže mať za následok nebezpečné vibrácie.

Pre náradie s vnútornou prírubou na čepeľ píly s priemerom otvoru 15,88 mm (v závislosti od danej krajiny)

Vnútornú prírubu založte na montážny hriadeľ tak, aby jej strana s preliačinou smerovala von, a následne nasadte čepeľ píly (v prípade potreby nasadte prstenec), vonkajšiu prírubu a šesťhrannú skrutku.

Pre nástroj bez prstenca

- **Obr.18:** 1. Montážny hriadeľ 2. Vnútorná príruha
3. Čepeľ kotúčovej píly 4. Vonkajšia príruha
5. Šesťhranná skrutka

Pre nástroj s prstencom

- **Obr.19:** 1. Montážny hriadeľ 2. Vnútorná príruha
3. Čepeľ kotúčovej píly 4. Vonkajšia príruha
5. Šesťhranná skrutka 6. Prstenc

VAROVANIE: SKRUTKU SO ŠEŠŤHRANNOU HLAVOU DÔKLADNE UTIAHNITE V SMERE HODINOVÝCH RUČÍČIEK. Skrutku nedotáhajte nadmernou silou. Zošmyknutie ruky zo šesťhranného kľúča môže spôsobiť zranenie.

VAROVANIE: V prípade, že si montáž čepele vyžaduje nasadenie prstenca na hriadeľ, vždy sa presvedčte, že medzi vnútornou a vonkajšou prírubou je nasadený správny prstenc podľa montážneho otvoru na čepeľ, ktorú chcete použiť. Použitie nesprávneho prstenca do otvoru na hriadeľ môže zapríčiniť nesprávne namontovanie čepele a spôsobiť pohyb čepele a silné vibrácie, čo môže viesť k strate kontroly nad nástrojom počas práce a zároveň môže dôjsť k vážnym zraneniam osôb.

Čistenie chrániča čepele

Pri výmene čepele kotúčovej píly je potrebné vyčistiť horný aj spodný kryt čepele od nahromadených pilín, ako sa uvádza v časti o údržbe. Okrem toho je potrebné pred každým použitím skontrolovať funkčnosť spodného krytu.

Uskladnenie šesťhranného kľúča

Keď šesťhranný kľúč nepoužívate, odložte ho podľa znázornenia na obrázku, aby sa neustratil.

- **Obr.20:** 1. Šesťhranný kľúč

Pripojenie vysávača

Voliteľné príslušenstvo

Ak chcete rezať čisto bez prachu, k náradiu pripojte vysávač Makita pomocou prachovej hubice.

1. Ak má kotúčová píla dlhú páku (podľa krajiny), nahraďte ju krátkou pákou dodanou s prachovou hubicou.
► **Obr.21:** 1. Dlhá páka (podľa krajiny) 2. Skrutka
3. Krátka páka

Nepoužívajte prachovú hubicu s prípravenou dlhou pákou. V opačnom prípade nebudete môcť rezať, pretože pohyb dolného krytu blokuje prachová hubica.

2. Pomocou skrutiek namontujte prachovú hubicu na zariadenie.

- **Obr.22:** 1. Prachová hubica 2. Skrutka

3. K prachovej hubici pripojte hadicu vysávača.

- **Obr.23:** 1. Hadica 2. Vysávač

PREVÁDZKA

POZOR: Nástroj pomaly posúvajte vpred v rovnej línii. Tlačenie alebo krútením nástroja sa preheje motor a dôjde k nebezpečným spätným nárazom, ktoré môžu spôsobiť vážne zranenie.

POZOR: Vždy využívajte prednú rukoväť a zadnú rukoväť a nástroj pri práci za ne pevne držte oboma rukami.

- **Obr.24**

Nástroj držte pevne. Na nástroji je predné držadlo a zadná rukoväť. Nástroj sa drží najlepšie za obidve držadlá. Ak pílu držíte obidvoma rukami, nemôžete si ich poraziť. Položte základňu na obrobok, aby pri rezaní čepeľ kotúčovej píly o nič nezavadila. Potom zapnite náradie a počkajte, kým čepeľ kotúčovej píly nedosiahne maximálne otáčky. Teraz nástroj len posúvajte vpred po povrchu obrobku, postupujte plynule až do skončenia pílenia. Čistý rez dosiahnete, keď bude línia rezu priama a rýchlosť rezu stabilná. Ak sa rez odchyľuje od vašej predpokladanej línie rezu, nesnažte sa otáčať alebo tlačiť náradie naspäť do línie rezu. Čepeľ kotúčovej píly sa môže zadrieť, zapríčiniť nebezpečný spätný náraz a prípadne vážne zranenie. Uvoľnite spínač, počkajte, kým sa čepeľ zastaví a potom odiahnite náradie. Znova nasmerujte náradie na novú líniu rezu a začnite rezať. Snažte sa vyhnúť polohám, v ktorých bude obsluha vystavená trieskam a pilinám odletujúcim od píly. Používajte ochranu očí, aby ste predišli zraneniu.

Vodidlo na pozdĺžne rezanie (vodiace pravítko)

Volitelné príslušenstvo

► **Obr.25:** 1. Vodidlo na pozdĺžne rezanie (vodiace pravítko) 2. Uťahovacia skrutka

Pomocou praktického vodidla na pozdĺžne rezanie môžete robiť výnimočne presné priame rezy. Jednoduchou posuňte vodidlo tesne k strane obrobku a skrutkou na prednej strane stola ho zaistíte v príslušnej polohe. Pomocou vodidla je tiež možné urobiť opakované rezy s jednotnou šírkou.

ÚDRŽBA

▲POZOR: Pred vykonávaním kontroly a údržby nástroj vždy vypnite a odpojte od prívodu elektrickej energie.

▲POZOR: Kryt očist'ite, aby na ňom nezostali piliny alebo triesky, ktoré môžu brániť fungovaniu systému krytu. Špinavý systém krytu môže obmedziť správnu funkciu a spôsobiť vážne zranenia osôb. Najúčinnším spôsobom čistenia je čistenie stlačeným vzduchom. Ak je prach vyfukovaný mimo krytov, používajte správnu ochranu zraku a dýchacích orgánov.

UPOZORNENIE: Nepoužívajte benzín, riedidlo, alkohol ani podobné látky. Mohlo by to spôsobiť zmenu farby, deformácie alebo praskliny.

Nastavenie rovnobežnosti

Toto nastavenie bolo vykonané vo výrobnom závode. V prípade narušenia nastavenia ho však možno vykonať nasledujúcim spôsobom.

1. Uťahnite všetky páčky a skrutky. Podľa znázornenia na obrázku mierne uvoľnite skrutku.

► **Obr.26:** 1. Skrutka 2. Stôl

2. Otvorte dolný chránič a posuňte zadnú časť stola tak, aby vzdialenosti A a B boli rovnaké.

3. Skrutky utiahnite a vykonajte skúšobný rez, aby ste sa presvedčili o správnosti nastavenia rovnobežnosti.

Nastavenie 0° presnosti rezu

Toto nastavenie bolo vykonané vo výrobnom závode. V prípade narušenia nastavenia ho však možno vykonať nasledujúcim spôsobom.

1. Jemne uvoľnite upínacie skrutky v prednej a zadnej časti nástroja.

2. Pomocou trojuholníkového pravítka alebo uholníka skontrolujte, či stôl zvierá s čepeľou pravý uhol, a uhol nastavte otáčaním nastavovacej skrutky.

► **Obr.27:** 1. Trojuholníkové pravítko 2. Stôl 3. Nastavovacia skrutka 4. Upínacia skrutka

3. Dotiahnite upínacie skrutky a potom vykonajte skúšobný rez na preverenie kolmosti.

Výmena uhlíkov

► **Obr.28:** 1. Medzná značka

Pravidelne kontrolujte uhlíky.

Ak sú opotrebované až po medznú značku, vymeňte ich. Uhlíky musia byť čisté a musia voľne zapadať do svojich držiakov. Oba uhlíky sa musia vymieňať naraz. Používajte len identické uhlíky.

1. Veká držiaka uhlíkov otvoríte skrutkovačom.

2. Vyberte opotrebované uhlíky, založte nové a zaistíte veká držiaka uhlíka.

► **Obr.29:** 1. Veko držiaka uhlíka

Ak chcete udržať BEZPEČNOSŤ a BEZPORUCHOVOSŤ výrobku, prenechajte opravy, údržbu a nastavenie na autorizované alebo továrenské servisné centrá Makita, ktoré používajú len náhradné diely značky Makita.

VOLITELNÉ PRÍSLUŠENSTVO

▲POZOR: Pre váš nástroj Makita, opísaný v tomto návode, doporučujeme používať toto príslušenstvo a nástavce. Pri použití iného príslušenstva či nástavcov môže hroziť nebezpečenstvo zranenia osôb. Príslušenstvo a nástavce sa môžu používať len na účely pre ne stanovené.

Ak potrebujete bližšie informácie týkajúce sa tohoto príslušenstva, obráťte sa na vaše miestne servisné stredisko firmy Makita.

- Čepeľ kotúčovej píly
- Vodidlo na pozdĺžne rezanie (vodiace pravítko)
- Šesťhranný kľúč
- Prachová hubica (s pákou)
- Prachová hubica (bez páky)
- Vodiaca lišta
- Vodiaci prvok skosenia
- Svorka
- Mierka
- Gumová mierka
- Polohová mierka
- Adaptér vodiacej lišty
- Pravítko

POZNÁMKA: Niektoré položky zo zoznamu môžu byť súčasťou balenia nástrojov vo forme štandardného príslušenstva. Rozsah týchto položiek môže byť v každej krajine odlišný.

SPECIFIKACE

Model:		HS7611
Průměr kotouče		185 – 190 mm
Max. hloubka řezu	pod úhlem 0°	63 – 65 mm
	při 45° úkosu	44 – 45 mm
Otáčky bez zatížení		5 500 min ⁻¹
Celková délka		311 mm
Čistá hmotnost		3,9 kg
Třída bezpečnosti		□/II

- Vzhledem k neustálému výzkumu a vývoji podléhají zde uvedené specifikace změnám bez upozornění.
- Specifikace se mohou pro různé země lišit.
- Hmotnost podle EPTA-Procedure 01/2014

Účel použití

Nářadí je určeno k provádění podélných a příčných rovných řezů a úhlových pokosových řezů ve dřevě při pevném kontaktu s obrobkem. S vhodnými originálními pilovými kotouči Makita lze řezat i jiné materiály.

Napájení

Nářadí smí být připojeno pouze k napájení se stejným napětím, jaké je uvedeno na výrobním štítku, a může být provozováno pouze v jednofázovém napájecím okruhu se střídavým napětím. Nářadí je vybaveno dvojitou izolací a může být tedy připojeno i k zásuvkám bez zemnicího vodiče.

Pro veřejné nízkonapěťové rozvodné systémy s napětím mezi 220 V a 250 V

Při spínání elektrických přístrojů může dojít ke kolísání napětí. Provozování tohoto zařízení za nepříznivého stavu elektrické sítě může mít negativní vliv na provoz ostatních zařízení. Je-li impedance sítě menší nebo rovna 0,33 Ohm, lze předpokládat, že nevzniknou žádné negativní účinky. Síťová zásuvka použitá pro toto zařízení musí být chráněna pojistkou nebo ochranným jističem s pomalou vypínací charakteristikou.

Hlučnost

Typická vážená hladina hluku (A) určená podle normy EN62841:
Hladina akustického tlaku (L_{pA}): 95 dB(A)
Hladina akustického výkonu (L_{WA}): 106 dB (A)
Nejistota (K): 3 dB(A)

VAROVÁNÍ: Používejte ochranu sluchu.

Vibrace

Celková hodnota vibrací (vektorový součet tří os) určená podle normy EN62841:
Pracovní režim: Řezání dřeva
Emise vibrací ($a_{h, w}$): 2,5 m/s² nebo méně
Nejistota (K): 1,5 m/s²

POZNÁMKA: Hodnota deklarovaných emisí vibrací byla změřena standardní zkušební metodou a dá se použít k porovnání nářadí mezi sebou.

POZNÁMKA: Hodnotu deklarovaných emisí vibrací lze také použít k předběžnému posouzení míry expozice vibracím.

VAROVÁNÍ: Emise vibrací při používání elektrického nářadí ve skutečnosti se mohou od hodnoty deklarovaných emisí vibrací lišit v závislosti na způsobech použití nářadí.

VAROVÁNÍ: Nezapomeňte stanovit bezpečnostní opatření na ochranu obsluhy podle odhadu expozice ve skutečných podmínkách použití. (Vezměte přitom v úvahu všechny části provozního cyklu, tj. kromě doby zátěže například doby, kdy je nářadí vypnuté a kdy běží naprázdno.)

Prohlášení ES o shodě

Pouze pro evropské země

Prohlášení ES o shodě je obsaženo v Příloze A tohoto návodu k obsluze.

BEZPEČNOSTNÍ VÝSTRAHY

Obecná bezpečnostní upozornění k elektrickému nářadí

VAROVÁNÍ: Přečtete si všechny bezpečnostní výstrahy i pokyny a prohlédněte si ilustrace a specifikace dodané k tomuto elektrickému nářadí. Nedodržení všech níže uvedených pokynů může vést k úrazu elektrickým proudem, požáru či vážnému zranění.

Všechna upozornění a pokyny si uschovejte pro budoucí potřebu.

Pojem „elektrické nářadí“ v upozorněních označuje elektrické nářadí, které se zapojuje do elektrické sítě, nebo elektrické nářadí využívající akumulátory.

Výstrahy týkající se okružní pily

Postupy při řezání

- NEBEZPEČÍ:** Nepřibližujte ruce k oblasti řezání ani ke kotouči. Druhou ruku držte na pomocné rukojeti nebo krytu motoru. Budete-li pilu držet oběma rukama, nehrozí riziko jejich pořízání.
 - Nevkládejte ruce pod obrobek. Kryt vás nechrání před kotoučem pod obrobkem.
 - Nastavte hloubku řezu na tloušťku obrobku. Pod obrobkem by měl být viditelný méně než jeden celý zub pilového kotouče.
 - Při řezání nikdy nedržte obrobek v rukou ani si jej nepokládejte na nohy. Uchytěte obrobek ke stabilní podložce. Je důležité zajistit řádné upevnění dílu, aby se minimalizovalo riziko ohrožení těla, zachycení kotouče nebo ztráty kontroly.
- Obr.1
- Při práci v místech, kde může dojít ke kontaktu nářadí se skrytým elektrickým vedením nebo s vlastním napájecím kabelem, držte elektrické nářadí za izolované části držadel. Kontakt s vodičem pod napětím přenesou proud do nechráněných kovových částí elektrického nářadí a obsluha může utrpět úraz elektrickým proudem.
 - Při podélném řezání vždy používejte podélné pravítko nebo přímé vodítko. Zvýšíte tak přesnost řezu a omezíte možnost ohnutí kotouče.
 - Vždy používejte kotouče správné velikosti a tvaru (diamantové versus kruhové) otvoru. Kotouče neodpovídající upínacímu systému pily se budou pohybovat mimo osu a způsobí ztrátu kontroly nad nářadím.
 - Nikdy nepoužívejte poškozené nebo nesprávné podložky nebo šroub kotouče. Podložky a šroub kotouče jsou navrženy speciálně pro tuto pilu a zajišťují optimální funkci a provozní bezpečnost.

Zpětný ráz a související výstrahy

- Zpětný ráz je náhlá reakce na skřípnutý, zaseknutý nebo nesprávně seřízený pilový kotouč, která způsobuje nekontrolované zvednutí pily z obrobku a jeho vržení směrem k obsluze.
- Pokud se kotouč sevře nebo na pevno zasekne o uzavření spáry, dojde k zastavení kotouče a reakce motoru vrhne jednotku s velkou rychlostí směrem k obsluze.
- Pokud se kotouč v řezu zkrátí nebo vychýlí, mohou se zuby na zadním okraji kotouče zařezat do horního povrchu dřeva, čímž dojde ke zvednutí kotouče ze spáry a rázu nářadí směrem k obsluze.

Zpětný ráz je důsledkem špatného použití pily nebo nesprávných pracovních postupů či podmínek. Lze se mu vyhnout zavedením odpovídajících opatření, která jsou uvedena níže.

- Pilu držte pevně oběma rukama. Paže umístěte tak, abyste byli schopni odolat silám vznikajícím při zpětném rázu. Tělo udržte bokem od nářadí. Nestůjte přímo za kotoučem. Zpětný ráz by mohl způsobit vrhnutí pily zpět. Pokud pracovník dodržuje odpovídající opatření, je schopen kontrolovat síly vznikající při zpětném rázu.
- Pokud kotouč vázne nebo z jakéhokoli důvodu chcete přerušit řezání, uvolněte spoušť a držte pilu bez pohybu v materiálu, dokud se kotouč úplně nezastaví. Nikdy pilu nevytahujte z materiálu ani ji netahejte směrem zpět, je-li kotouč v pohybu. V opačném případě může dojít ke zpětnému rázu. Zjistěte příčinu váznutí kotouče a proveďte odpovídající nápravná opatření.
- Spouštíte-li pilu opakovaně v obrobku, umístěte pilový kotouč do středu drážky tak, aby zuby kotouče nebyly zachyceny v materiálu. Pokud pilový kotouč uvízne, může se při opakovaném spuštění pily zvednout nebo vymrštit z obrobku.
- Velké desky podepřete, abyste minimalizovali riziko skřípnutí kotouče a zpětného rázu. Velké desky mají tendenci prověšovat se svojí vlastní váhou. Podpěry je nutno umístit pod panel na obou stranách v blízkosti rysky řezu a okraje desky.

► Obr.2

► Obr.3

- Nepoužívejte tupé nebo poškozené kotouče. Nenaostřené nebo nesprávně nastavené kotouče řezou úzkou drážku, čímž dochází k nadměrnému tření, váznutí kotouče a zpětnému rázu.
- Před zahájením řezání musí být dotaženy a zajištěny pojistné páčky nastavení hloubky a úkosu. Dojde-li během řezání ke změně nastavení kotouče, kotouč může váznout a může vzniknout zpětný ráz.
- Při řezání do stávajících stěn či jiných nepřehledných míst dbejte zvýšené opatrnosti. Vyčnívající kotouč se může zaříznot do předmětu, jež mohou způsobit zpětný ráz.
- Nářadí VŽDY držte pevně oběma rukama. NIKDY neumísťte ruce, nohy nebo jakoukoli jinou část těla pod základnu nářadí nebo za pilu, zejména při příčném řezání. Dojde-li ke zpětnému rázu, může pila snadno odskočit směrem zpět přes vaše ruce a způsobit vám tak vážné poranění.

► Obr.4

9. Nikdy na pilu nevyvíjejte příliš velkou sílu. Pilu tlačte vpřed tak, aby kotouč řezal bez zpomalování. Příliš silný tlak může způsobit nerovné řezy, ztrátu přesnosti a vznik zpětného rázu.

Funkce krytu

1. Před každým použitím zkontrolujte řádné uzavření dolního krytu. S pilou nepracujte, pokud se dolní kryt nepohybuje volně a okamžitě se neuzavře. Nikdy neupínejte ani neuchycujte dolní kryt v otevřené poloze. Pokud pilu náhodně upustíte, může se dolní kryt ohnout. Zvedněte dolní kryt zatahovacím držadlem a ujistěte se, zda se kryt volně pohybuje a zda se ve všech úhlech a hloubkách řezu nedotýká kotouče ani žádné jiné části nástroje.
2. Zkontrolujte funkci pružiny dolního krytu. Pokud kryt a pružina nepracují správně, musí být před zahájením provozu opraveny. Dolní kryt se může pohybovat pomalu z důvodu poškozování dílů, lepkavých usazenin nebo nahromaděného odpadního materiálu.
3. Dolní kryt zatahujte ručně pouze při provádění speciálních řezů, jimiž jsou například „zapichovací“ či „kombinované řezy“. Zatahovacím držadlem zvedněte dolní kryt, a jakmile kotouč vnikne do materiálu, je nutné dolní kryt uvolnit. Při všech jiných typech řezů má dolní kryt pracovat automaticky.
4. Před položením pily na pracovní stůl nebo podlahu se vždy přesvědčte, zda dolní kryt zakrývá kotouč. Nechráněný dobíhající kotouč způsobí pohyb nářadí směrem zpět, při kterém může dojít k požezání. Nezapomeňte, že zastavení kotouče po uvolnění spínače trvá určitou dobu.
5. Při kontrole dolního krytu jej otevřete rukou, uvolněte a sledujte jeho zavírání. Dále zkontrolujte, zda se zatahovací držadlo nedotýká skříně nástroje. Ponechání kotouče v nechráněné poloze JE VELICE NEBEZPEČNÉ a může způsobit vážné zranění.

Další bezpečnostní výstrahy

1. Při řezání vlhkého dřeva, tlakově impregnovaného dřeva nebo dřeva obsahujícího suky postupujte se zvýšenou opatrností. Nářadí vedle do řezu plynule, aby se pohyb kotouče nezpomaloval a nedocházelo k přehřívání břitů.
2. Neodstraňujte odřezaný materiál, pokud se pohybuje kotouč. Před uchopením odřezaného materiálu počkejte, až se kotouč zastaví. Kotouče po vypnutí nářadí dobíhají.
3. Neřežte hřebíky. Před zahájením řezání zkontrolujte a odstraňte ze dřeva všechny případné hřebíky.
4. Širší stranu základny pily položte na tu část obrobku, která je pevně podepřena a nikoli na část, která po provedení řezu odpadne. Pokud je obrobek krátký nebo malý, upněte jej. NIKDY NEDRŽTE KRÁTKÉ DÍLY RUKOU!

► Obr.5

5. Před odložením nářadí po dokončení řezu se přesvědčte, zda se kryt zavřel a zda se kotouč úplně zastavil.
6. Nikdy se nepokoušejte řezat okružní pilou uchycenou vzhůru nohama ve svěráku. Tento postup je mimořádně nebezpečný a může způsobit vážné nehody.

► Obr.6

7. Některé materiály obsahují chemikálie, které mohou být jedovaté. Dávejte pozor, abyste nevdechovali prach nebo nedocházelo ke kontaktu s kůží. Dodržujte bezpečnostní pokyny dodavatele materiálu.
8. Nezastavujte pilové kotouče vyvinutím postranního tlaku.
9. Nepoužívejte žádné brusné kotouče.
10. Používejte pouze pilové kotouče s průměrem vyznačeným na nářadí nebo specifikovaným v příručce. Použití kotouče nesprávných rozměrů může ovlivnit správné zakrytí kotouče nebo funkce krytu, což může mít za následek vážné zranění.
11. Udržujte kotouč ostrý a čistý. Smůla a pryskyřice zatvrdnutá na kotouči pilu zpomaluje a zvyšuje potenciální nebezpečí zpětného rázu. Při čištění kotouč nejprve vyjměte z nářadí a pak jej vyčistěte prostředkem k odstraňování smůly a pryskyřice, horkou vodou nebo petrolejem. Nikdy nepoužívejte benzín.
12. Při používání nářadí používejte protiprachovou masku a ochranu sluchu.
13. Vždy používejte takový pilový kotouč, který je určený pro řezání materiálu, který se chystáte řezat.
14. Používejte pouze pilové kotouče označené hodnotou otáček, jejichž hodnota se rovná či přesahuje hodnotu otáček vyznačenou na nářadí.
15. (Pouze pro evropské země)
Vždy používejte kotouče, které odpovídají normě EN847-1.

TYTO POKYNY USCHOVEJTE.

VAROVÁNÍ: NEDOVOLTE, aby pohodlnost nebo pocit znalosti výrobku (získaný na základě předchozího použití) vedl k zanedbání dodržování bezpečnostních pravidel platných pro tento výrobek. NESPRÁVNÉ POUŽÍVÁNÍ či nedodržení bezpečnostních pravidel uvedených v tomto návodu k obsluze může způsobit vážné zranění.

POPIS FUNKCÍ

⚠ UPOZORNĚNÍ: Před nastavováním nářadí nebo kontrolou jeho funkce se vždy přesvědčte, že je vypnuté a vytažené ze zásuvky.

Nastavení hloubky řezu

⚠ UPOZORNĚNÍ: Po nastavení hloubky řezu vždy pevně dotáhněte páčku.

Uvolněte páčku na vodičku pro nastavení hloubky a přesuňte základnu nahoru nebo dolů. Na požadované hloubce řezu základnu zajistěte utažením páčky. Pro čistší a bezpečnější řezy nastavte hloubku tak, aby z dolní strany obrobku nevyčníval více než jeden zub kotouče. Použití správných hloubek řezu pomáhá zmezovat nebezpečí ZPĚTNÝCH RÁZŮ, které mohou způsobit zranění.

► Obr.7: 1. Hloubkoměr 2. Páčka 3. Základna

Úkosové řezání

⚠ UPOZORNĚNÍ: Po nastavení úhlu úkosu vždy pevně utáhněte upínací šrouby.

Povolte přední a zadní upínací šrouby. Sklopením nastavte požadovaný úhel (0° až 45°), potom přední a zadní upínací šrouby opět pevně dotáhněte.

► Obr.8: 1. Upínací šroub

► Obr.9: 1. Upínací šroub

Sledování značek

Při přímých řezech vyrovnejte pozici 0° na přední straně základny s rýskou vyznačující řez. Při provádění 45° úkosových řezů vyrovnejte řez s pozicí 45°.

► Obr.10: 1. Linie řezu (pozice 0°) 2. Linie řezu (pozice 45°)

► Obr.11: 1. Linie řezu (pozice 0°) 2. Linie řezu (pozice 45°)

Používání spouště

⚠ VAROVÁNÍ: Před připojením nářadí do zásuvky vždy zkontrolujte, zda spoušť funguje správně a po uvolnění se vrací do vypnuté polohy.

► Obr.12: 1. Spoušť 2. Odjišťovací tlačítko

K zamezení náhodnému stisknutí spouště je nářadí vybaveno odjišťovacím tlačítkem. Nářadí spustíte stisknutím odjišťovacího tlačítka a spouště. Chcete-li nářadí vypnout, uvolněte spoušť.

⚠ VAROVÁNÍ: NIKDY neblokujte funkci odjišťovacího tlačítka zalepením páskou ani jinými způsoby. Spínač se zablokovaným odjišťovacím tlačítkem může být příčinou neúmyslného zapnutí a vážného zranění.

⚠ VAROVÁNÍ: NIKDY nepoužívejte nářadí, které lze spustit pouhým stisknutím spouště bez použití odjišťovacího tlačítka. Spínač vyžadující opravu může způsobit neúmyslné zapnutí a vážné zranění. V takovém případě nářadí PŘED dalším použitím předejte servisnímu středisku Makita k opravě.

POZOR: Nemačkejte spoušť silou bez stisknutí odjišťovacího tlačítka. Mohlo by dojít k poškození spínače.

SESTAVENÍ

⚠ UPOZORNĚNÍ: Než začnete na nářadí provádět jakékoli práce, vždy se předtím přesvědčte, že je vypnuté a vytažené ze zásuvky.

Demontáž a instalace kotouče okružní pily

⚠ UPOZORNĚNÍ: Dbejte, aby byl kotouč okružní pily nainstalován tak, aby na přední straně nářadí směřovaly zuby nahoru.

⚠ UPOZORNĚNÍ: Při instalaci a demontáži kotouče okružní pily používejte pouze klíč Makita.

1. Při demontáži kotouče okružní pily stiskněte úplně zámek hřídele tak, aby se kotouč okružní pily neotáčel, a poté pomocí imbusového klíče povolte proti směru hodinových ručiček šroub s šestihrannou hlavou.

► Obr.13: 1. Imbusový klíč 2. Zámek hřídele 3. Šroub s šestihrannou hlavou 4. Vnější příruba 5. Povolit 6. Utažení

2. Vyjměte šroub s šestihrannou hlavou a vnější přírubu.

3. Otočením páčky otevřete kryt kotouče.

► Obr.14: 1. Páčka

4. Sejměte kotouč a prsteneček (specifické podle země).

Nářadí bez kroužku

► Obr.15: 1. Šroub s šestihrannou hlavou 2. Vnější příruba 3. Kotouč okružní pily 4. Vnitřní příruba

Nářadí s kroužkem

► Obr.16: 1. Šroub s šestihrannou hlavou 2. Vnější příruba 3. Kotouč okružní pily 4. Prsteneček 5. Vnitřní příruba

Při instalaci kotouče okružní pily použijte opačný postup demontáže.

Nářadí s vnitřní přírubou pro jiné pilové kotouče než s otvorem o průměru 15,88 mm

Vnitřní příruba má na jedné straně prolis určitého průměru a na druhé straně prolis jiného průměru. Zvolte správnou stranu, jejíž prolis přesně zapadne do otvoru pilového kotouče. Potom vnitřní přírubu nasadíte na hřídel tak, aby správná strana prolisu vnitřní příruby směřovala ven a nasadíte pilový kotouč s vnější přírubou.

► **Obr.17:** 1. Hřídel 2. Vnitřní příruba 3. Kotouč okružní pily 4. Vnější příruba 5. Šroub s šestihrannou hlavou

VAROVÁNÍ: NEZAPOMEŇTE PEVNĚ DOTÁHNOUT ŠROUB S ŠESTIHRANNOU HLAVOU PO SMĚRU HODINOVÝCH RUČÍČEK. Nikdy však šroub nedotahujte násilím. Pokud se vám šestihranný klíč vysmekne z ruky, může dojít ke zranění.

VAROVÁNÍ: Zajistěte, aby prolis „a“ vnitřní příruby směřující směrem ven dokonale zapadl do otvoru „a“ pilového kotouče. Nasazení kotouče na chybnou stranu může způsobit nebezpečné vibrace.

Nářadí s vnitřní přírubou pro pilové kotouče s průměrem otvoru 15,88 mm (specifické pro danou zemi)

Na hřídel nasadíte vnitřní přírubu zapuštěnou částí směrem ven a pak nasadíte pilový kotouč (pokud je třeba, s nasazeným kroužkem), vnější přírubu a šroub s šestihrannou hlavou.

Nářadí bez kroužku

► **Obr.18:** 1. Hřídel 2. Vnitřní příruba 3. Kotouč okružní pily 4. Vnější příruba 5. Šroub s šestihrannou hlavou

Nářadí s kroužkem

► **Obr.19:** 1. Hřídel 2. Vnitřní příruba 3. Kotouč okružní pily 4. Vnější příruba 5. Šroub s šestihrannou hlavou 6. Kroužek

VAROVÁNÍ: NEZAPOMEŇTE PEVNĚ DOTÁHNOUT ŠROUB S ŠESTIHRANNOU HLAVOU PO SMĚRU HODINOVÝCH RUČÍČEK. Nikdy však šroub nedotahujte násilím. Pokud se vám šestihranný klíč vysmekne z ruky, může dojít ke zranění.

VAROVÁNÍ: Pokud je pro nasazení kotouče na vřeteno potřebný kroužek, vždy se ujistěte, zda je na vřetenu mezi vnitřní a vnější přírubou umístěn správný kroužek odpovídající otvoru v kotouči, který se chystáte použít. Použití kroužku s nesprávným otvorem může vést k nesprávnému uchycení kotouče, jeho pohybu a silným vibracím s následnou možností ztráty kontroly za provozu, jež může způsobit vážné zranění.

Čištění krytu kotouče

Při výměně kotouče okružní pily rovněž nezapomeňte očistit horní a dolní kryt kotouče od usazených pilin podle pokynů v části Údržba. Provedení tohoto kroku nevyklučuje nutnost kontroly dolního krytu před každým použitím.

Uložení šestihranného klíče

Nein-li používán, uložte šestihranný klíč, jak je ilustrováno na obrázku. Předejdete tak jeho ztrátu.

► **Obr.20:** 1. Šestihranný klíč

Připojení odsavače prachu

Volitelné příslušenství

K zajištění čistoty během řezání připojte k nářadí vysavač Makita s hubicí na piliny.

1. Pokud má vaše okružní pila dlouhou páčku (podle země), vyměňte ji za krátkou páčku dodanou s hubicí na piliny.

► **Obr.21:** 1. Dlouhá páčka (podle země) 2. Šroub 3. Krátká páčka

Nepoužívejte hubici na piliny, je-li připevněna dlouhá páčka. Nebude možné řezat, protože pohyb dolního krytu bude omezen hubicí na piliny.

2. Pomocí šroubů k nástroji připevněte hubici na piliny.

► **Obr.22:** 1. Hubice na piliny 2. Šroub

3. K hadici vysavače připojte hubici na piliny.

► **Obr.23:** 1. Hadice 2. Vysavač

PRÁCE S NÁŘADÍM

UPOZORNĚNÍ: Nářadí zlehka posunujte dopředu po přímé rýse. Pokud na nástroj budete tlačit nebo jej zkroužíte, dojde k přehřátí motoru a nebezpečnému zpětnému rázu s rizikem těžkého zranění.

UPOZORNĚNÍ: Vždy používejte přední rukojeť i zadní držadlo a při práci tímto způsobem nářadí pevně držte.

► **Obr.24**

Držte nářadí pevně. Nářadí je vybaveno přední rukojetí a zadním držadlem. Použijte obojí k pevnému uchopení nářadí. Budete-li pilu držet oběma rukama, nemůžete si ruce pořezat kotoučem okružní pily. Ustavte základnu na obrobek, aniž by došlo ke kontaktu s kotoučem okružní pily. Poté nářadí zapněte a počkejte, dokud kotouč okružní pily nedosáhne plných otáček. Nyní jednoduše posunujte nářadí dopředu po povrchu obrobku. Udržujte jej rovně a pomalu posunujte až do ukončení řezu.

Chcete-li dosáhnout čistých řezů, udržujte přímou dráhu řezu a rovnoměrnou rychlost posunu. Pokud řez nesleduje přesně dráhu zamýšleného řezu, nepokoušejte se o otočení nebo násilné přesunutí nářadí zpět na rýsku řezu. V opačném případě by mohlo dojít k ohnutí kotouče okružní pily, nebezpečnému zpětnému rázu a potenciálnímu vážnému poranění. Uvolněte spínač, počkejte na zastavení kotouče okružní pily a poté nářadí vytáhněte. Ustavte nářadí na novou dráhu řezu a zahajte řez znovu. Pokud se vyvarovat takového umístění nářadí, při kterém je obsluha vystavena třískám a pilinám vyletujícím z pily. Předejdete poranění použitím ochrany očí.

Podélné pravítko (vodící pravítko)

Volitelné příslušenství

- **Obr.25:** 1. Podélné pravítko (vodící pravítko)
2. Upínací šroub

Praktické podélné pravítko vám umožní provádět mimořádně přesné přímé řezy. Jednoduše posuňte podélné pravítko těsně k boku obrobku a zajistěte jej v této poloze pomocí šroubu na přední straně základny. Pravítko také umožňuje opakované provádění řezů se stejnou šířkou.

ÚDRŽBA

▲ UPOZORNĚNÍ: Než začnete provádět kontrolu nebo údržbu nářadí, vždy se přesvědčte, že je vypnuté a vytažené ze zásuvky.

▲ UPOZORNĚNÍ: Očistěte kryt, aby nedocházelo ke hromadění pilin nebo třísek, jež by mohly bránit funkci krytového systému. Znečištěný krytový systém může omezovat správnou funkčnost, což může mít za následek vážné zranění. Nejúčinnějším způsobem čištění je použití stlačeného vzduchu. Při odstraňování pilin z krytů stlačeným vzduchem použijte správné prostředky k ochraně zraku a dýchacích cest.

POZOR: Nikdy nepoužívejte benzín, benzen, ředidlo, alkohol či podobné prostředky. Mohlo by tak dojít ke změnám barvy, deformacím či vzniku prasklin.

Seřízení rovnoběžnosti

Toto seřízení bylo provedeno při výrobě. Jestliže je však nesprávné, můžete je seřídít následujícím postupem.

1. Ujistěte se, že jsou dotaženy všechny páčky a šrouby. Podle obrázku lehce povolte šroub.
► **Obr.26:** 1. Šroub 2. Základna
2. Při otevírání dolního krytu přesuňte zadní stranu základny tak, aby byly vzdálenosti A a B stejné.
3. Utáhněte šrouby a proveďte kontrolní řez, abyste zkontrolovali rovnoběžnost.

Seřízení přesnosti 0° řezu

Toto seřízení bylo provedeno při výrobě. Jestliže je však nesprávné, můžete je seřídít následujícím postupem.

1. Lehce povolte upínací šrouby na přední a zadní straně nářadí.
2. Otočením stavěcího šroubu nastavte základnu kolmo ke kotouči pomocí trojúhelníkového nebo čtvercového pravítka.
► **Obr.27:** 1. Trojúhelníkové pravítko 2. Základna
3. Stavěcí šroub 4. Upínací šroub
3. Utáhněte upínací šrouby a potom proveďte kontrolní řez, abyste zkontrolovali vertikální seřízení.

Výměna uhlíků

- **Obr.28:** 1. Mezní značka

Pravidelně kontrolujte uhlíky.

Jsou-li opotřebené až po mezní značku, vyměňte je. Udržujte uhlíky čisté a zajistěte, aby se mohly v držácích volně pohybovat. Oba uhlíky by se měly vyměňovat najednou. Používejte výhradně stejné uhlíky.

1. Pomocí šroubováku odšroubujte víčka držáků uhlíků.
2. Vyjměte opotřebené uhlíky, vložte nové a opět víčka držáků uhlíků namontujte.

- **Obr.29:** 1. Víčko držáku uhlíku

K zachování BEZPEČNOSTI a SPOLEHLIVOSTI výrobku musí být opravy a veškerá další údržba či seřizování prováděny autorizovanými nebo továrními servisními středisky společnosti Makita s využitím náhradních dílů Makita.

VOLITELNÉ PŘÍSLUŠENSTVÍ

▲ UPOZORNĚNÍ: Pro nářadí Makita popsané v tomto návodu doporučujeme používat následující příslušenství a nástavce. Při použití jiného příslušenství či nástavců může hrozit nebezpečí zranění osob. Příslušenství lze používat pouze pro stanovené účely.

Potřebujete-li bližší informace ohledně tohoto příslušenství, obraťte se na místní servisní středisko společnosti Makita.

- Kotouč okružní pily
- Podélné pravítko (vodící pravítko)
- Šestihranný klíč
- Hubice na piliny (s páčkou)
- Hubice na piliny (bez páčky)
- Vodící kolejnice
- Úkosové vodítko
- Svorka
- Podložka
- Gumová podložka
- Polohová deska
- Adaptér vodící kolejnice
- Pravítko

POZNÁMKA: Některé položky seznamu mohou být k nářadí přibaleny jako standardní příslušenství. Přibalené příslušenství se může v různých zemích lišit.

ТЕХНІЧНІ ХАРАКТЕРИСТИКИ

Модель:		HS7611
Діаметр диска		185—190 мм
Макс. глибина різання	Під кутом 0°	63—65 мм
	якщо кут 45°	44—45 мм
Швидкість холостого ходу		5 500 хв ⁻¹
Загальна довжина		311 мм
Маса нетто		3,9 кг
Клас безпеки		□/II

- Оскільки наша програма наукових досліджень і розробок триває безперервно, наведені тут технічні характеристики можуть бути змінені без попередження.
- У різних країнах технічні характеристики можуть бути різними.
- Маса відповідно до EPTA-Procedure 01/2014

Призначення

Інструмент призначено для поздовжнього та поперечного різання за прямою лінією та різання під косим кутом деревини у міцному контакті з деталлю. Якщо використовувати оригінальні диски пили виробництва компанії Makita, то інструмент можна застосовувати і для різання інших матеріалів.

Джерело живлення

Інструмент можна підключати лише до джерела живлення, що має напругу, зазначену в таблиці із заводськими характеристиками, і він може працювати лише від однофазного джерела змінного струму. Він має подвійну ізоляцію, а отже може також підключатися до розеток без лінії заземлення.

Для використання від низьковольтної мережі від 220 В до 250 В

Увімкнення та вимкнення електричного приладу спричиняє коливання напруги. Експлуатація цього пристрою за несприятливих умов мережі може погано вплинути на роботу іншого обладнання. Можна припустити, що при опорі мережі 0,33 Ом або нижче ніякого негативного впливу не буде. Мережна розетка, до якої буде підключатися пристрій, повинна буди захищена запобіжником або захисним автоматичним вимикачем плавного розчіплювання.

Шум

Рівень шуму за шкалою А в типовому виконанні, визначений відповідно до стандарту EN62841:
Рівень звукового тиску (L_{pA}): 95 дБ (А)
Рівень звукової потужності (L_{WA}): 106 дБ (А)
Похибка (К): 3 дБ (А)

▲ ПОПЕРЕДЖЕННЯ: Користуйтеся засобами захисту органів слуху.

Вібрація

Загальна величина вібрації (векторна сума трьох напрямків) визначена згідно з EN62841:
Режим роботи: пиляння деревини
Вібрація ($a_{h,v}$): 2,5 м/с² або менше
Похибка (К): 1,5 м/с²

ПРИМІТКА: Заявлене значення вібрації було виміряно відповідно до стандартних методів тестування та може використовуватися для порівняння одного інструмента з іншим.

ПРИМІТКА: Заявлене значення вібрації може також використовуватися для попередньої оцінки впливу.

▲ ПОПЕРЕДЖЕННЯ: Залежно від умов використання вібрація під час фактичної роботи електроінструмента може відрізнитися від заявленого значення вібрації.

▲ ПОПЕРЕДЖЕННЯ: Забезпечте належні запобіжні заходи для захисту оператора, що відповідатимуть умовам використання інструмента (слід брати до уваги всі складові робочого циклу, такі як час, коли інструмент вимкнено та коли він починає працювати на холостому ході під час запуску).

Декларація про відповідність стандартам ЄС

Тільки для країн Європи

Декларацію про відповідність стандартам ЄС наведено в Додатку А до цієї інструкції з експлуатації.

ПОПЕРЕДЖЕННЯ ПРО ДОТРИМАННЯ ТЕХНІКИ БЕЗПЕКИ

Загальні застереження щодо техніки безпеки при роботі з електроінструментами

▲ ПОПЕРЕДЖЕННЯ: Уважно ознайомтеся з усіма попередженнями про дотримання правил техніки безпеки, інструкціями, ілюстраціями та технічними характеристиками, що стосуються цього електроінструмента. Невиконання будь-яких інструкцій, перелічених нижче, може призвести до ураження електричним струмом, пожежі та/або тяжких травм.

Збережіть усі інструкції з техніки безпеки та експлуатації на майбутнє.

Термін «електроінструмент», зазначений у інструкції з техніки безпеки, стосується електроінструмента, який функціонує від електромережі (електроінструмент з кабелем живлення), або електроінструмента з живленням від батареї (безпроводний електроінструмент).

Попередження про необхідну обережність під час роботи з циркулярною пилою

Порядок експлуатації

1. **▲ НЕБЕЗПЕЧНО!** Завжди тримайте руки на відстані від зони різання та полотна. Тримайте другу руку на допоміжній ручці або кожусі двигуна. Якщо тримати інструмент обома руками, їх неможливо буде порізати об полотно.
2. Забороняється простягати руки нижче деталі. Кожу не захищає від полотна внизу деталі.
3. Необхідно відрегулювати глибину різання відповідно до товщини деталі. Щонайменше один зубець полотна має бути повністю видно внизу деталі.
4. Забороняється під час різання тримати деталь у руках або на колінах. Необхідно закріпити деталь на стійкій поверхні. Дуже важливо забезпечити належну опору робочого місця, щоб звести до мінімуму вплив на тіло, заїдання полотна та втрату керування.

► Рис.1

5. Тримайте електроінструмент за ізольовані поверхні держака під час виконання дії, за якої різальний інструмент може зачепити приховану електропроводку або власний шнур. Торкання дроту під напругою може призвести до передавання напруги до металевих частин електроінструмента та до ураження оператора електричним струмом.

6. Під час поздовжнього пиляння обов'язково використовуйте напрямну планку або пряму лінійку. Це покращить точність різання та зменшить імовірність заїдання полотна.
7. Обов'язково використовуйте полотна зі шпindelними отворами відповідного розміру та форми (ромбічні або круглі). Полотно, що не відповідає приладю для кріплення пили, працюватимуть ексцентрично, що призведе до втрати контролю.
8. Заборонено використовувати пошкоджені або невідповідні шайби та болти для полотна. Шайби та болти полотна спеціально розроблені для цієї пили для забезпечення оптимальних робочих характеристик та безпечної експлуатації.

Причини віддачі та відповідні попередження:

- Віддача — це несподівана реакція затиснутого, застряглого або зміщеного диска пили, що призводить до неконтрольованого вистрілювання пили вгору та з деталі в напрямку до оператора.
- Коли диск затиснуло або щільно заїло в пропили, він зупиняється, а працюючий двигун призводить до швидкого відкидання пристрою до оператора.
- якщо полотно закрутилося або змістилося в проріз, зубець заднього краю полотна може встромилися у верхню поверхню деревини, що в свою чергу призведе до виходу полотна із пропили та відсакуванню його до оператора.

Причинами віддачі є неправильне користування пилою та/або неправильний порядок або умови експлуатації. Її можна уникнути, дотримуючись запобіжних заходів, наведених нижче.

1. Необхідно міцно обома руками тримати пилу за ручку та розмістити руки таким чином, щоб протистояти зусиллю віддачі. Необхідно зайняти положення з будь-якого боку полотна, але не на одній лінії з ним. У разі віддачі пила відскочить назад, але оператор зможе контролювати зусилля віддачі, якщо буде вжито всіх запобіжних заходів.
2. У разі заїдання полотна або переривання різання з будь-яких причин потрібно відпустити курок та утримувати пилу в матеріалі нерухомо до повної зупинки полотна. Ні в якому разі не можна намагатися виняти пилу з деталі або витягти її під час руху полотна — це може спричинити віддачу. Ретельно огляньте пилу та виконайте необхідні дії з усунення причини заїдання полотна.
3. Під час повторного встановлення пили на деталь необхідно відцентрувати диск пили в пропили так, щоб зубці пили не зачепилися за матеріал. Якщо диск пили затиснуло, він може вийти або зіскочити з деталі під час повторного ввімкнення пили.
4. Необхідно забезпечити опору великих панелей, щоб мінімізувати ризик защемлення полотна та віддачі. Великі панелі прогинаються під своєю вагою. Необхідно розташувати опору з обох боків панелі, біля лінії різання та біля краю панелі.

► Рис.2

► Рис.3

5. **Не можна користуватися тупими або пошкодженими полотнами.** Незагострені або неправильно встановлені полотна роблять вузький пропиіл, що призводить до надмірного тертя, заїдання полотна або віддачі.
6. **Перед початком різання необхідно затягнути та закріпити затиснік важелі регулювання глибини та нахилу полотна.** Зміщення регулювання полотна під час різання може призвести до заїдання або віддачі.
7. **Необхідна особлива обережність під час врізання в наявні стіни або інші невидимі зони.** Виступаюче полотно може зіткнутися з предметами, що спричиняють віддачу.
8. **ОБОВ'ЯЗКОВО міцно тримайте інструмент обома руками. НІ В ЯКОМУ РАЗІ не кладіть руку, ногу чи будь-яку частину тіла нижче основи інструмента або позаду пили, особливо під час поперечного різання.** У разі віддачі пила може просто перескочити через руку та спричинити серйозну травму.

► Рис.4

9. **Ні в якому разі не прикладайте силу до пили.** Натискайте на пилу вперед із такою швидкістю, щоб полотно різало, не зменшуючи швидкості. Прикладання сили до пили може призвести до нерівного прорізу, втрати точності та можливої віддачі.

Функція захисного кожуха

1. **Щораз перед початком роботи слід перевіряти належне закриття нижнього кожуху.** Не слід починати роботу з пилою, якщо нижній захисний кожух не рухається вільно та одразу не закривається. Ніколи не слід затискати або затягувати нижній кожух у відкритому положенні. Якщо пила випадково впаде, нижній захисний кожух може погнути. Слід підняти нижній захисний кожух за допомогою ручки та переконаватися, що він вільно пересувається та не торкається диску або іншої частини при будь-якому куті та глибині різання.
2. **Слід перевірити функціонування пружини нижнього захисного кожуха.** У разі неналежного функціонування захисного кожуха та пружини їх необхідно відремонтувати перед використанням. Нижній захисний кожух може повільно працювати при наявності пошкоджених частин, клейких відкладень або накопичення сміття.
3. **Нижній захисний кожух можна відводити руками тільки при виконанні спеціальних прорізів, таких як «врізання» та «комбіноване різання».** Підніміть нижній захисний кожух за допомогою ручки відведення та, як тільки диск пили увійде у матеріал, відпустіть нижній захисний кожух. Для реттв видів різання нижній кожух повинен працювати автоматично.

4. **Перед встановленням пили на верстат або підлогу слід завжди перевіряти, щоб нижній захисний кожух покривав диск.** Незахищений диск, що рухається за інерцією, призведе до пересування пили назад, ріжучи будь-які предмети на своєму шляху. Слід пам'ятати, що після відпускання вмикача диску потрібен деякий час для повної зупинки.
5. **Щоб перевірити нижній кожух, його слід відкрити вручну, а потім необхідно відпустити і подивитися, як він закривається.** Також слід переконаватися, що ручка відведення не торкається кожуха інструмента. Залишення ріжучого диска незахищеним є **ДУЖЕ НЕБЕЗПЕЧНИМ**, адже може призвести до серйозних травм.

Додаткові попередження про необхідну обережність

1. **Виявляйте особливу обережність під час різання сиріої деревини, лісоматеріалу, обробленого під тиском, або сучкуватої деревини.** Плавно просувайте інструмент вперед, не зменшуючи швидкості полотна, щоб уникнути перегрівання зубців.
2. **Не намагайтеся забирати відрізаний матеріал під час руху полотна.** Зачекайте до зупинки полотна, перш ніж брати відрізаний матеріал. Полотно рухається за інерцією після вимкнення.
3. **Уникайте різання цвяхів.** Перед початком роботи огляньте лісоматеріал та видаліть із нього всі цвяхи.
4. **Розташуйте ширшу частину основи пили на тій частині деталі, що має надійну опору, а не на тій, яка відпаде після різання.** Короткі або малі деталі необхідно притискати. **ЗАБОРОНЕНО ТРИМАТИ КОРОТКІ ДЕТАЛІ РУКАМИ!**

► Рис.5

5. **Перед тим як відставляти інструмент після завершення різання, переконайтеся, що захисний кожух закритий і полотно повністю зупинилося.**
6. **Ні в якому разі не намагайтеся різати затиснутою лещатами перевернутою циркулярною пилою.** Це дуже небезпечно та може призвести до тяжких нещасних випадків.

► Рис.6

7. **Деякі матеріали містять токсичні хімічні речовини.** Будьте обережні, щоб не допустити вдихання пилу та його контакту зі шкірою. Дотримуйтеся правил техніки безпеки виробника матеріалу.
8. **Заборонено зупиняти полотно, прикладаючи боковий тиск до ріжучого полотна.**
9. **Заборонено використовувати абразивні диски.**
10. **Використовуйте тільки ріжуче полотно, що має діаметр, зазначений на інструменті або вказаний в інструкції з експлуатації.** Використання полотна невідповідного розміру може завдати належному захисту полотна або функціонуванню захисного кожуха, що можуть призвести до серйозних травм.

11. **Полотно має бути гострим та чистим.**
Деревний пек та смола, застигли на полотнах, сповільнюють пилу та збільшують ризик віддачі. Підтримуйте чистоту полотна. Для цього зніміть його з інструмента, а потім очистіть за допомогою засобу для видалення смоли, гарячої води або гасу. Використовувати бензин заборонено.
12. **Під час користування інструментом використовуйте пилозахисну маску та засоби захисту органів слуху.**
13. **Завжди використовуйте диск пили, що призначений для різання саме того матеріалу, який ви збираєтеся різати.**
14. **Використовуйте тільки такі диски пили, на яких указана швидкість дорівнює швидкості, зазначеній на інструменті, або є більшою за неї.**
15. **(Тільки для країн Європи.)**
Завжди використовуйте диск, що відповідає стандарту EN847-1.

ЗБЕРІГАЙТЕ ЦІ ВКАЗІВКИ.

ПОПЕРЕДЖЕННЯ: **НИКОЛИ НЕ** втрачайте пильності та не розслабляйтеся під час користування виробом (що можливо при частому використанні); обов'язково строго дотримуйтеся відповідних правил безпеки. **НЕНАЛЕЖНЕ ВИКОРИСТАННЯ** або недотримання правил безпеки, викладених у цій інструкції з експлуатації, може призвести до серйозних травм.

ОПИС РОБОТИ

ОБЕРЕЖНО: Перед тим як регулювати або перевіряти функціональність інструмента, обов'язково переконайтеся, що інструмент вимкнено й від'єднано від електромережі.

Регулювання глибини різання

ОБЕРЕЖНО: Після регулювання глибини різання необхідно надійно затягнути важіль.

Послабте важіль на напрямній глибини та пересуньте основу вгору або вниз. На необхідній глибині різання закріпіть основу, затягнувши важіль. Для забезпечення акуратнішого та безпечнішого різання відрегулюйте глибину різання таким чином, щоб за межі деталі виходило не більше одного зубця диска. Належна глибина різання допомагає знизити потенційну небезпеку ВІДДАЧІ, яка може призвести до травмування.

- **Рис.7:** 1. Обмежувач глибини 2. Важіль
3. Основа

Різнання під кутом

ОБЕРЕЖНО: Після регулювання кута нахилу необхідно надійно затягнути затискний гвинт.

Послабте передній і задній затискні гвинти. Встановіть бажаний кут (0° - 45°), відповідно нахиливши інструмент, а потім надійно затягніть передній і задній затискні гвинти.

- **Рис.8:** 1. Затискний гвинт
► **Рис.9:** 1. Затискний гвинт

Візування

Для виконання прямих розрізів необхідно сумістити положення 0° спереду основи з лінією різання. Для різання з кутом нахилу 45° необхідно сумістити положення 45° з лінією різання.

- **Рис.10:** 1. Лінія різання (положення 0°) 2. Лінія різання (положення 45°)
► **Рис.11:** 1. Лінія різання (положення 0°) 2. Лінія різання (положення 45°)

Дія вмикача

ПОПЕРЕДЖЕННЯ: Перед тим як підключити інструмент до мережі, обов'язково переконайтеся, що курок вмикача належним чином спрацьовує та повертається в положення «ВИМК.», коли його відпускають.

- **Рис.12:** 1. Курок вмикача 2. Кнопка блокування вимкненого положення

Для запобігання випадковому натисканню курка вмикача передбачено кнопку блокування вимкненого положення. Щоб увімкнути інструмент, натисніть на кнопку блокування вимкненого положення та натисніть на курок вмикача. Щоб зупинити роботу, відпустіть курок вмикача.

⚠ПОПЕРЕДЖЕННЯ: ЗАБОРОНЕНО змінювати стан кнопки блокування вимкненого положення шляхом її затискання за допомогою стрічки або будь-яким іншим чином. Використання вмикача з несправною кнопкою блокування вимкненого положення може призвести до ненавмисного увімкнення та серйозних травм.

⚠ПОПЕРЕДЖЕННЯ: ЗАБОРОНЕНО користуватися інструментом, якщо він вмикається простим натисканням курка вмикача без натискання кнопки блокування вимкненого положення. Використання вмикача, який потребує ремонту, може спричинити ненавмисне увімкнення та серйозні травми. ПЕРЕД подальшим використанням інструмент слід передати до сервісного центру Makita для ремонту.

УВАГА: Ніколи не натискайте із силою на курок вмикача, якщо кнопка блокування вимкненого положення не натиснута. Це може призвести до поломки вмикача.

ЗБОРКА

⚠ОБЕРЕЖНО: Перед виконанням будь-яких робіт з інструментом обов'язково вимкніть його та відключіть від електромережі.

Зняття та встановлення диска циркулярної пили

⚠ОБЕРЕЖНО: Обов'язково встановлюйте диск циркулярної пили зубцями вгору на передній частині інструмента.

⚠ОБЕРЕЖНО: Для встановлення або зняття диска циркулярної пили слід використовувати тільки ключ виробництва компанії Makita.

1. Щоб зняти диск циркулярної пили, повністю натисніть замок вала таким чином, щоб диск не міг обертатися, та за допомогою шестигранного ключа послабте болт із шестигранною головкою, повернувши його проти годинникової стрілки.

► **Рис.13:** 1. Шестигранний ключ 2. Замок вала 3. Болт із шестигранною головкою 4. Зовнішній фланець 5. Послабити 6. Затягнути

2. Зніміть болт із шестигранною головкою та зовнішній фланець.
3. Поверніть важіль, щоб відкрити огороження диска.
► **Рис.14:** 1. Важіль

4. Зніміть диск і кільце (залежно від країни).

Для інструмента без кільця

► **Рис.15:** 1. Болт із шестигранною головкою 2. Зовнішній фланець 3. Диск циркулярної пили 4. Внутрішній фланець

Для інструмента з кільцем

► **Рис.16:** 1. Болт із шестигранною головкою 2. Зовнішній фланець 3. Диск циркулярної пили 4. Кільце 5. Внутрішній фланець

Щоб встановити диск циркулярної пили, виконайте процедуру його зняття у зворотному порядку.

Для інструмента із внутрішнім фланцем для диска пили з діаметром отвору, відмінним від 15,88 мм

Внутрішній фланець має виступ певного діаметра з одного боку та виступ з відмінним діаметром з іншого боку. Виберіть правильний бік, на якому виступ точно підходить до отвору диска пили. Встановіть внутрішній фланець на вал для кріплення таким чином, щоб правильна сторона виступу на внутрішньому фланці була спрямована назовні, після чого встановіть диск пили та зовнішній фланець.

► **Рис.17:** 1. Вал кріплення 2. Внутрішній фланець 3. Диск циркулярної пили 4. Зовнішній фланець 5. Болт із шестигранною головкою

⚠ПОПЕРЕДЖЕННЯ: ОБОВ'ЯЗКОВО НАДІЙНО ЗАТЯГНІТЬ БОЛТ ІЗ ШЕСТИГРАННОЮ ГОЛОВКОЮ ЗА ГОДИННИКОВОЮ СТІЛКОЮ. Також не можна затягувати болт із надмірною силою. Зісковзування руки з шестигранного ключа може спричинити травмування.

⚠ПОПЕРЕДЖЕННЯ: Переконайтеся, що виступ «а» на внутрішньому фланці, спрямований назовні, точно підходить до отвору «а» диска пили. Встановлення диска на виступ іншого діаметра може призвести до небезпечної вібрації.

Для інструмента з внутрішнім фланцем для диска пили з діаметром отвору 15,88 мм (залежить від країни продажу)

Встановіть внутрішній фланець виточеною частиною назовні на вал кріплення, потім установіть диск пили (за необхідності із прикріпленим кільцем), зовнішній фланець та болт із шестигранною головкою.

Для інструмента без кільця

► **Рис.18:** 1. Вал кріплення 2. Внутрішній фланець 3. Диск циркулярної пили 4. Зовнішній фланець 5. Болт із шестигранною головкою

Для інструмента з кільцем

► **Рис.19:** 1. Вал кріплення 2. Внутрішній фланець 3. Диск циркулярної пили 4. Зовнішній фланець 5. Болт із шестигранною головкою 6. Кільце

▲ПОПЕРЕДЖЕННЯ: ОБОВ'ЯЗКОВО НАДИЙНО ЗАТЯГНІТЬ БОЛТ ІЗ ШЕСТИГРАННОЮ ГОЛОВКОЮ ЗА ГОДИННИКОВОЮ СТРІЛКОЮ.

Також не можна затягувати болт із надмірною силою. Зісковзування руки з шестигранного ключа може спричинити травмування.

▲ПОПЕРЕДЖЕННЯ: Перед встановленням диска на шпindelь обов'язково переконайтеся, що між внутрішнім та зовнішнім фланцями встановлено правильне кільце для того шпindelного отвору диска, який буде використовуватися. Використання неправильного кільця для шпindelного отвору може призвести до неналежного кріплення диска і, як наслідок, до його зміщення і сильної вібрації, що може спричинити втрату контролю над інструментом під час роботи і отримання важких травм.

Очищення захисного кожуха диска

Під час заміни диска циркулярної пили обов'язково також прочистіть верхній та нижній захисні кожухи диска від тирси, що накопичилась, як зазначено в розділі «Технічне обслуговування». Однак такі дії не є заміною необхідної перевірки роботи нижнього захисного кожуха перед кожним використанням.

Зберігання шестигранного ключа

Коли шестигранний ключ не використовується, зберігайте його, як показано на рисунку, щоб він не загубився.

► **Рис.20:** 1. Шестигранний ключ

Під'єднання пилососа

Додаткове приладдя

Щоб забезпечити чистоту під час різання, під'єдняйте пилосос Makita до інструмента за допомогою штуцера для пилу.

1. Якщо циркулярна пила має довгий важіль (залежить від країни), замініть його коротким важелем, що постачається зі штуцером для пилу.
- **Рис.21:** 1. Довгий важіль (залежить від країни)
2. Гвинт 3. Короткий важіль

Не використовуйте штуцер для пилу разом із довгим важелем. Інакше буде неможливо зробити розріз, оскільки штуцер для пилу буде перешкоджати руху нижнього захисного кожуха.

2. Установіть штуцер для пилу на інструмент, використовуючи гвинт.

► **Рис.22:** 1. Штуцер для пилу 2. Гвинт

3. Приєднайте шланг пилососа до штуцера для пилу.

► **Рис.23:** 1. Шланг 2. Пилосос

РОБОТА

▲ОБЕРЕЖНО: Обов'язково плавно рухайте інструмент вздовж прямої лінії. Докладання зусиль або перекручування інструмента можуть призвести до його перегріву та небезпечної віддачі, що в свою чергу може призвести до серйозних травм.

▲ОБЕРЕЖНО: Обов'язково використовуйте передню й задню ручки та міцно тримайте інструмент за обидві ручки під час роботи.

► **Рис.24**

Тримайте інструмент міцно. Інструмент оснащено передньою та задньою ручками. Тримайте інструмент за обидві ручки. Щоб не порізати руки диском циркулярної пили, тримайте її обома руками. Встановіть основу на робочу деталь таким чином, щоб диск циркулярної пили не торкався деталі. Увімкніть інструмент та зачекайте, поки диск циркулярної пили не набере повної швидкості. Тоді просто плавно пересувайте інструмент прямо по робочій деталі, притискаючи його до поверхні, до завершення розпилювання.

Щоб розпилювання було чистим, намагайтеся дотримуватись прямої лінії розпилювання та рівномірної швидкості просування. Якщо лінія розпилювання не відповідатиме вашим потребам, не намагайтесь насильно повернути інструмент до лінії розпилювання. Це може призвести до згинання диска циркулярної пили та спричинити небезпечну віддачу та важкі травми. Відпустіть вмикач, дочекайтеся повної зупинки диска циркулярної пили та витягніть інструмент із робочої деталі. Виставте інструмент на нову лінію різання та знову почніть різання. Уникайте такого розташування пили, коли стружка та пил з-під неї потрапляють на оператора. Використовуйте засоби захисту очей, щоб уникнути травмування.

Напрямна планка (реєстрова мітка)

Додаткове приладдя

- **Рис.25:** 1. Напрямна планка (реєстрова мітка)
2. Затискний гвинт

Зручна напрямна планка дозволяє робити надзвичайно точні прямі розрізи. Слід просто пересунути напрямну планку впритул до краю гвинта в передній частині основи. Це також дає змогу багаторазово виконувати розрізи однакової ширини.

ТЕХНІЧНЕ ОБСЛУГОВУВАННЯ

⚠ОБЕРЕЖНО: Перед тим як проводити огляд або технічне обслуговування інструмента, переконайтеся, що його вимкнено і від'єднано від мережі.

⚠ОБЕРЕЖНО: Очистіть захисний кожух полотна і переконайтеся у тому, що на ньому немає тирси та стружки, які можуть завадити роботі захисної системи. Засміченість захисної системи може обмежити належну функціональність, і це може призвести до отримання серйозних травм. Найефективнішим способом чищення є використання стиснутого повітря. Під час видування пилу із захисного кожуха полотна обов'язково вдягайте відповідні засоби захисту органів зору та дихання.

УВАГА: Ніколи не використовуйте газолін, бензин, розріджувач, спирт та подібні речовини. Їх використання може призвести до зміни кольору, деформації або появи тріщин.

Регулювання паралельності

Це регулювання було виконано на заводі. За необхідності регулювання можна виконати, як описано далі.

1. Переконайтеся, що всі важелі та гвинти затягнуті. Трохи відпустіть гвинт, як показано на рисунку.

► **Рис.26:** 1. Гвинт 2. Основа

2. Відкриваючи нижній захисний кожух, перемістіть задню частину основи, щоб відстані А та В були однаковими.

3. Затягніть гвинти і зробіть тестовий розріз для перевірки паралельності.

Регулювання точності різання 0°

Це регулювання було виконано на заводі. За необхідності регулювання можна виконати, як описано далі.

1. Трохи відпустіть затискні гвинти на передній і задній частинах інструмента.

2. Установіть основу перпендикулярно до диска за допомогою косинця, повертаючи гвинт регулювання.

► **Рис.27:** 1. Трикутна лінійка 2. Основа 3. Гвинт регулювання 4. Затискний гвинт

3. Затягніть затискні гвинти й зробіть тестовий розріз для перевірки вертикальності.

Заміна вугільних щіток

► **Рис.28:** 1. Обмежувальна відмітка

Регулярно перевіряйте стан вугільних щіток. Замінюйте їх, коли зношення сягає граничної відмітки. Вугільні щітки слід тримати чистими та незаблокованими, щоб вони могли заходити в тримачі. Обидві вугільні щітки слід замінити одночасно. Можна використовувати тільки ідентичні вугільні щітки.

1. Для виймання ковпачків щіткотримачів користуйтеся викруткою.

2. Зніміть зношені вугільні щітки, вставте нові та закріпіть ковпачки щіткотримачів.

► **Рис.29:** 1. Ковпачок щіткотримача

Для забезпечення БЕЗПЕКИ та НАДІЙНОСТІ продукції, її ремонт, а також роботи з обслуговування або регулювання повинні виконуватись уповноваженими або заводськими сервісними центрами Makita із використанням запчастин виробництва компанії Makita.

ДОДАТКОВЕ ПРИЛАДДЯ

⚠ОБЕРЕЖНО: Це додаткове та допоміжне обладнання рекомендовано використовувати з інструментом Makita, зазначеним у цій інструкції з експлуатації. Використання будь-якого іншого додаткового та допоміжного обладнання може становити небезпеку травмування. Використовуйте додаткове та допоміжне обладнання лише за призначенням.

У разі необхідності отримати допомогу в більш детальному ознайомленні з оснащенням звертайтеся до місцевого сервісного центру Makita.

- Диск циркулярної пили
- Напрямна планка (напрямна лінійка)
- Шестигранний ключ
- Штуцер для пилу (з важелем)
- Штуцер для пилу (без важеля)
- Напрямна рейка
- Напрямна кута нахилу
- Затиск
- Лист
- Гумовий лист
- Лист контролю положення
- Адаптер напрямної рейки
- Лінійка

ПРИМІТКА: Деякі елементи списку можуть входити до комплекту інструмента як стандартне приладдя. Вони можуть відрізнятися залежно від країни.

SPECIFICAȚII

Model:		HS7611
Diametrul pânzei		185 - 190 mm
Adâncime maximă de tăiere	la 0°	63 - 65 mm
	la înclinare de 45°	44 - 45 mm
Turație în gol		5.500 min ⁻¹
Lungime totală		311 mm
Greutate netă		3,9 kg
Clasa de siguranță		▣/II

- Datorită programului nostru continuu de cercetare și dezvoltare, specificațiile pot fi modificate fără o notificare prealabilă.
- Specificațiile pot varia în funcție de țară.
- Greutatea este specificată conform procedurii EPTA 01/2014

Destinația de utilizare

Mașina este destinată executării tăierilor longitudinale și transversale, drepte și oblice, în lemn, menținând un contact ferm cu piesa de prelucrat. Cu pânze de ferăstrău Makita originale adecvate, pot fi tăiate și alte materiale.

Sursă de alimentare

Mașina trebuie conectată numai la o sursă de alimentare cu curent alternativ monofazat, cu tensiunea egală cu cea indicată pe plăcuța de identificare a mașinii. Acestea au o izolație dublă și, drept urmare, pot fi utilizate de la prize fără împământare.

Pentru sisteme publice de distribuție a energiei electrice de joasă tensiune între 220 V și 250 V

Operațiile de comutare ale aparatului electric generează fluctuații ale tensiunii. Funcționarea acestui dispozitiv în condiții de alimentare electrică nefavorabile poate afecta funcționarea altor echipamente. Cu o impedanță a rețelei electrice mai mică de 0,33 Ohmi, se poate presupune că nu vor exista efecte negative. Priza de alimentare folosită pentru acest dispozitiv trebuie să fie protejată cu o siguranță fuzibilă sau un întrerupător de protecție cu caracteristică de declanșare lentă.

Zgomot

Nivelul de zgomot normal ponderat A determinat în conformitate cu EN62841:

Nivel de presiune acustică ($L_{p(A)}$): 95 dB(A)

Nivel de putere acustică (L_{WA}): 106 dB (A)

Marjă de eroare (K): 3 dB(A)

AVERTIZARE: Purtați echipament de protecție pentru urechi.

Vibrații

Valoarea totală a vibrațiilor (suma vectorilor tri-axiali) determinată conform EN62841:

Mod de lucru: tăiere lemn

Emisie de vibrații ($a_{h,W}$): 2,5 m/s² sau mai puțin

Marjă de eroare (K): 1,5 m/s²

NOTĂ: Nivelul de vibrații declarat a fost măsurat în conformitate cu metoda de test standard și poate fi utilizat pentru compararea unei unelte cu alta.

NOTĂ: Nivelul de vibrații declarat poate fi, de asemenea, utilizat într-o evaluare preliminară a expunerii.

AVERTIZARE: Nivelul de vibrații în timpul utilizării efective a unelei electrice poate diferi de valoarea nivelului declarat, în funcție de modul în care unealta este utilizată.

AVERTIZARE: Asigurați-vă că identificați măsurile de siguranță pentru a proteja operatorul, acestea fiind bazate pe o estimare a expunerii în condiții reale de utilizare (luând în considerare toate părțile ciclului de operare, precum timpii în care unealta a fost oprită, sau a funcționat în gol, pe lângă timpul de declanșare).

Declarație de conformitate CE

Numai pentru țările europene

Declarația de conformitate CE este inclusă ca Anexa A în acest manual de instrucțiuni.

AVERTIZĂRI DE SIGURANȚĂ

Avertismente generale de siguranță pentru mașinile electrice

▲AVERTIZARE: Citiți toate avertismentele privind siguranța, instrucțiunile, ilustrațiile și specificațiile furnizate cu această sculă electrică. Nerespectarea integrală a instrucțiunilor de mai jos poate cauza electrocutări, incendii și/sau vătămări corporale grave.

Păstrați toate avertismentele și instrucțiunile pentru consultări ulterioare.

Termenul „mașină electrică” din avertizări se referă la mașinile dumneavoastră electrice acționate de la rețea (prin cablu) sau cu acumulator (fără cablu).

Avertismente privind siguranța pentru ferăstrăul circular

Proceduri de tăiere

- ▲PERICOL: Țineți mâinile la distanță de zona de tăiere și de pânda de ferăstrău. Țineți a doua mână pe mânerul auxiliar sau pe carcasa motorului.** Dacă țineți ferăstrăul cu ambele mâini, acestea nu pot fi tăiate de pânda.
 - Nu introduceți mâinile sub piesa prelucrată.** Apărătoarea nu vă poate proteja împotriva pânzei sub piesa prelucrată.
 - Reglați adâncimea de tăiere la grosimea piesei de prelucrat.** Sub piesa de prelucrat trebuie să fie vizibil mai puțin decât un dinte complet al pânzei.
 - Nu țineți niciodată piesa de lucru în mâini sau pe picioare în timpul tăierii. Fixați piesa de lucru pe o platformă stabilă.** Este important să sprijiniți piesa de lucru în mod corespunzător, pentru a minimiza expunerea corpului, riscul de înțepenire a pânzei sau de pierdere a controlului.
- Fig.1
- Țineți mașina electrică doar de suprafețele de prindere izolate atunci când executați o operație în care unealta de tăiere poate intra în contact cu cabluri ascunse sau cu propriul cablu.** Contactul cu un cablu aflat sub tensiune va pune sub tensiune și componentele metalice neizolate ale mașinii și ar putea conduce la electrocutarea operatorului.
 - Atunci când tăiați, folosiți întotdeauna un ghidaj opritor sau un ghidaj paralel.** Aceasta va crește acuratețea tăierii și reduce riscul de blocare a pânzei.
 - Folosiți întotdeauna pânze cu găuri pentru arbore de dimensiuni și forme corecte (romboide versus rotunde).** Pânzele care nu se potrivesc cu sistemul de montare al ferăstrăului vor funcționa excentric, provocând pierderea controlului.

- Nu folosiți niciodată șaibe sau șuruburi pentru pânda deteriorate sau necorespunzătoare.** Șaibele și șurubul pentru pânda au fost special concepute pentru acest ferăstrău, în vederea obținerii unei performanțe optime și a siguranței în exploatare.

Cauze ale reculului și avertismente aferente

- reculul este o reacție bruscă la înțepenirea, blocarea sau abaterea de la coliniaritate a pânzei de ferăstrău și cauzează o deplasare necontrolată a ferăstrăului în sus și către operator;
- când pânda este înțepenită sau prinsă strâns de închiderea fantei, pânda se blochează și reacția motorului respinge rapid mașina către operator;
- dacă pânda se răsucește sau nu mai este coliniară cu linia de tăiere, dinții de la marginea posterioară a pânzei se pot înfige în fața superioară a lemnului, cauzând ieșirea pânzei din fantă și saltul acesteia către operator.

Reculul este rezultatul utilizării incorecte a ferăstrăului și/sau al procedurilor sau condițiilor de lucru necorespunzătoare, putând fi evitat prin adoptarea unor măsuri de precauție adecvate prezentate în continuare.

- Mențineți o priză fermă cu ambele mâini pe ferăstrău și poziționați-vă brațele astfel încât să contracarați forțele de recul. Poziționați-vă corpul de-o parte sau de cealaltă a pânzei, însă nu pe aceeași linie cu aceasta.** Reculul poate provoca un salt înapoi al ferăstrăului, însă forțele de recul pot fi controlate de operator, dacă se adoptă măsuri de precauție adecvate.
 - Atunci când pânda se blochează sau atunci când întrerupeți tăierea indiferent de motiv, eliberați butonul declanșator și mențineți ferăstrăul nemișcat în material până când pânda se oprește complet. Nu încercați niciodată să scoateți ferăstrăul din piesa prelucrată sau să trageți ferăstrăul înapoi cu pânda aflată în mișcare deoarece există riscul de recul.** Investigați cauza blocării pânzei și luați măsuri de eliminare a acesteia.
 - Atunci când reporniți ferăstrăul din piesa de lucru, centrați pânda de ferăstrău în fantă astfel ca dinții ferăstrăului să nu fie angrenați în material.** Dacă pânda de ferăstrău se blochează, aceasta poate urca pe piesa de lucru sau poate recula din aceasta la repornirea ferăstrăului.
 - Sprijiniți panourile mari pentru a minimiza riscul de înțepenire și reculare a pânzei.** Panourile mari tind să se încovoie sub propria greutate. Sub panou trebuie amplasate suporturi pe ambele laturi, lângă linia de tăiere și lângă marginea panoului.
- Fig.2
- Fig.3
- Nu folosiți pânze uzate sau deteriorate.** Pânzele neascuțite sau reglate necorespunzător generează o fantă îngustă care cauzează frecare excesivă, înțepenirea pânzei și reculul.
 - Pârghiile de reglare și blocare a adâncimii și înclinăției de tăiere trebuie să fie strânse și fixate înainte de începerea tăierii.** Deplasarea reglajului pânzei în timpul tăierii poate cauza frecare și reculul.

7. **Lucrați cu mare atenție atunci când executați o tăiere în pereții existenți sau în alte zone mascate.** Pânza poate tăia obiecte care pot provoca un recul.
8. **Țineți ÎNTOTDEAUNA mașina ferm cu ambele mâini.** Nu vă poziționați NICIODATĂ mâna, piciorul sau orice parte a corpului sub talpa mașinii sau în spatele ferăstrăului, în special atunci când executați retezări. Dacă apare un recul, ferăstrăul poate sări cu ușurință înapoi peste mâna dumneavoastră, provocând vătămări corporale grave.

► Fig.4

9. **Nu forțați niciodată ferăstrăul.** Împingeți ferăstrăul înainte la o viteză care să permită pânzei să taie fără să încetinească. Forțarea ferăstrăului poate genera tăieturi neuniforme, reducerea preciziei și posibile reculuri.

Funcția apărătoarei

1. **Înainte de fiecare utilizare, verificați închiderea corectă a apărătoarei inferioare. Nu folosiți ferăstrăul dacă apărătoarea inferioară nu se mișcă liber și nu se închide instantaneu. Nu blocați și nici nu legați niciodată apărătoarea inferioară în poziția deschisă.** Dacă scăpați accidental ferăstrăul, apărătoarea inferioară se poate îndoi. Ridicați apărătoarea inferioară cu maneta de retragere și asigurați-vă că aceasta se mișcă liber și nu atinge pânza sau orice altă piesă, la toate unghiurile și adâncimile de tăiere.
2. **Verificați funcționarea arcului apărătoarei inferioare. Dacă apărătoarea și arcul nu funcționează corect, acestea trebuie reparate înainte de utilizare.** Apărătoarea inferioară ar putea funcționa anevoios din cauza unor piese defecte, acumulării cleioase sau depunerii de resturi.
3. **Apărătoarea inferioară trebuie retrasă manual numai pentru tăieri speciale, cum ar fi „decupările prin plonjare” și „tăierile combinate”.** Ridicați apărătoarea inferioară cu maneta de retragere și eliberați-o imediat ce pânza pătrunde în material. Pentru toate celelalte tipuri de tăiere, apărătoarea inferioară trebuie să funcționeze automat.
4. **Aveți grijă întotdeauna ca apărătoarea inferioară să acopere pânza înainte de a așeza ferăstrăul pe banc sau podea.** O pânză neprotectată, aflată în rotire liberă, va provoca deplasarea ferăstrăului înapoi, tăind orice obiecte din calea ei. Aveți în vedere timpul necesar pentru oprirea completă a pânzei după eliberarea comutatorului.
5. **Pentru a verifica apărătoarea inferioară, deschideți-o cu mâna, apoi eliberați-o și urmăriți închiderea ei.** Verificați, de asemenea, ca maneta de retragere să nu atingă carcasa mașinii. Lăsarea pânzei expuse este FOARTE PERICULOASĂ și poate conduce la vătămări corporale grave.

Avertismente suplimentare privind siguranța

1. **Lucrați cu mare atenție atunci când tăiați lemn umed, chereștea impregnată sau presiune sau lemn cu noduri.** Păstrați o viteză de avansare uniformă pentru mașină fără reducerea vitezei pânzei, pentru a evita supraîncălzirea dinților pânzei.

2. **Nu încercați să îndepărtați materialul tăiat în timp ce pânza se mișcă.** Așteptați ca pânza să se oprească înainte de a apuca materialul tăiat. Pânzele se rotesc liber după oprire.
3. **Evitați tăierea cuielor.** Inspectați piesa de prelucrat și eliminați toate cuiile din chereștea înainte de tăiere.
4. **Așezați porțiunea mai lată a tălpii ferăstrăului pe acea porțiune a piesei de prelucrat care este sprijinită solid, și nu pe porțiunea care va cădea în urma tăierii.** Dacă piesa de prelucrat este scurtă sau mică, fixați-o. **NU ÎNCERCAȚI SĂ ȚINEȚI PIESELE SCURTE CU MÂNA!**

► Fig.5

5. **Înainte de a așeza mașina după finalizarea unei tăieri, asigurați-vă că apărătoarea inferioară s-a închis și că pânza s-a oprit complet.**
6. **Nu încercați niciodată să tăiați cu ferăstrăul circular fixat în poziție răsturnată într-o menghină.** Acest mod de utilizare este extrem de periculos și poate duce la accidente grave.

► Fig.6

7. **Unele materiale conțin substanțe chimice care pot fi toxice.** Aveți grijă să nu inhalați praful și evitați contactul cu pielea. Respectați instrucțiunile de siguranță ale furnizorului.
8. **Nu opriți pânzele aplicând o presiune laterală asupra pânzei de ferăstrău.**
9. **Nu folosiți discuri abrazive.**
10. **Utilizați numai pânze de ferăstrău cu diametrul marcat pe mașină sau specificat în manual.** Utilizarea unei pânze de altă mărime poate afecta protecția corespunzătoare a pânzei sau funcționarea apărătoarei, putând rezulta accidente grave.
11. **Păstrați pânza ascuțită și curată.** Cleiul și rășina întărite pe pânze încetinesc ferăstrăul și măresc riscul de recul. Păstrați pânza curată prin demontarea de pe mașină și curățarea acesteia cu soluție de îndepărtat cleiul și rășina, apă fierbinte sau petrol lampant. Nu folosiți niciodată benzină.
12. **Purtați o mască de protecție contra prafului și mijloace de protecție auditivă atunci când folosiți mașina.**
13. **Întotdeauna utilizați pânza de ferăstrău prevăzută pentru tăierea materialului pe care îl veți tăia.**
14. **Utilizați doar pânze de ferăstrău care sunt marcate cu o turație egală cu sau mai mare decât turația marcată pe mașină.**
15. (Numai pentru țările europene) **Întotdeauna utilizați lama care este conformă cu EN847-1.**

PĂSTRAȚI ACESTE INSTRUCȚIUNI.

▲AVERTIZARE: NU permiteți comodității și familiarizării cu produsul (obținute prin utilizare repetată) să înlocuiască respectarea strictă a normelor de securitate pentru acest produs. **FOLOSIREA INCORECTĂ** sau nerespectarea normelor de securitate din acest manual de instrucțiuni poate provoca vătămări corporale grave.

DESCRIEREA FUNCȚIILOR

⚠️ ATENȚIE: Asigurați-vă că ați oprit mașina și că ați deconectat-o de la rețea înainte de a o regla sau de a verifica starea sa de funcționare.

Reglarea adâncimii de tăiere

⚠️ ATENȚIE: După reglarea adâncimii de tăiere, strângeți întotdeauna ferm pârghia.

Slăbiți pârghia de la ghidajul de reglare a adâncimii și deplasați talpa în sus sau în jos. Fixați talpa la adâncimea de tăiere dorită prin strângerea pârghiei.

Pentru tăieturi mai curate și mai sigure, reglați adâncimea de tăiere astfel încât să nu iasă mai mulți dinți ai pânzei sub piesa de lucru. Utilizarea unei adâncimi de tăiere corecte ajută la reducerea potențialului de apariție a unui RECUL periculos, care poate provoca vătămări.

► Fig.7: 1. Profundor 2. Pârghie 3. Talpă

Tăiere înclinată

⚠️ ATENȚIE: După reglarea unghiului de înclinație, strângeți întotdeauna ferm șuruburile de strângere.

Slăbiți șuruburile de strângere din față și din spate. Reglați unghiul dorit (0° - 45°) prin înclinarea corespunzătoare a mașinii, apoi strângeți ferm șuruburile de strângere din față și din spate.

► Fig.8: 1. Șurub de strângere

► Fig.9: 1. Șurub de strângere

Reperare

Pentru tăieri drepte, aliniați poziția de 0° din partea frontală a tălpii cu linia dumneavoastră de tăiere. Pentru tăieri înclinate la 45°, aliniați poziția de 45°.

► Fig.10: 1. Linie de tăiere (poziție de 0°) 2. Linie de tăiere (poziție de 45°)

► Fig.11: 1. Linie de tăiere (poziție de 0°) 2. Linie de tăiere (poziție de 45°)

Aționarea întrerupătorului

⚠️ AVERTIZARE: Înainte de a conecta mașina la rețea, verificați dacă butonul declanșator funcționează corect și dacă revine la poziția „OFF” (oprit) atunci când este eliberat.

► Fig.12: 1. Buton declanșator 2. Buton de deblocare

Pentru a preveni acționarea accidentală a butonului declanșator, este prevăzut un buton de deblocare. Pentru a porni mașina, apăsați butonul de deblocare și trageți butonul declanșator. Eliberați butonul declanșator pentru a opri mașina.

⚠️ AVERTIZARE: Nu dezactivați NICIODATĂ butonul de deblocare prin fixare cu bandă sau prin alte mijloace. Un comutator de deblocare anulat poate duce la operarea accidentală, cauzând potențiale leziuni grave.

⚠️ AVERTIZARE: Nu utilizați NICIODATĂ mașina dacă aceasta pornește la simpla apăsare a butonului declanșator, fără a apăsa butonul de deblocare. Un comutator defect poate duce la operarea accidentală, cauzând leziuni grave. Returnați mașina la un centru de service Makita pentru efectuarea reparațiilor corespunzătoare ÎNAINTE de a continua utilizarea acesteia.

NOTĂ: Nu apăsați puternic butonul declanșator fără a apăsa butonul de deblocare. Comutatorul se poate rupe.

ASAMBLARE

⚠️ ATENȚIE: Asigurați-vă că ați oprit mașina și că ați deconectat-o de la rețea înainte de a efectua vreo intervenție asupra mașinii.

Demontarea sau montarea pânzei de ferăstrău circular

⚠️ ATENȚIE: Asigurați-vă că pânza de ferăstrău circular este montată cu dinții îndreptați în sus în partea frontală a mașinii.

⚠️ ATENȚIE: Folosiți numai cheia Makita la montarea și demontarea pânzei de ferăstrău circular.

1. Pentru a scoate pânza de ferăstrău circular, apăsați complet pârghia de blocare a axului astfel încât pânza de ferăstrău circular să nu se poată roti și folosiți cheia imbus pentru a slăbi șurubul cu cap hexagonal spre stânga.

► Fig.13: 1. Cheie imbus 2. Pârghie de blocare a axului 3. Șurub cu cap hexagonal 4. Flanșă exterioră 5. Deșurubare 6. Strângere

2. Îndepărtați șurubul cu cap hexagonal și flanșă exterioră.

3. Rotiți pârghia pentru a deschide apărătoarea pânzei.
► Fig.14: 1. Pârghie

4. Îndepărtați pânza și inelul (diferă în funcție de țară).

Pentru mașină fără inel

► Fig.15: 1. Șurub cu cap hexagonal 2. Flanșă exterioră 3. Pânză de ferăstrău circular 4. Flanșă interioară

Pentru mașină cu inel

► Fig.16: 1. Șurub cu cap hexagonal 2. Flanșă exterioră 3. Pânză de ferăstrău circular 4. Inel 5. Flanșă interioară

Pentru a instala pânza de ferăstrău circular, executați în ordine inversă operațiile de demontare.

Pentru mașină cu flanșă interioară pentru o pânză de ferăstrău cu un orificiu diferit de orificiul cu diametru de 15,88 mm

Flanșa interioară are o proeminență cu un anumit diametru pe o parte și o proeminență cu un diametru diferit pe cealaltă parte. Alegeți partea corectă cu proeminența care se încadrează perfect în orificiul pânzei de ferăstrău. Montați flanșa interioară pe axul de montare, astfel încât partea corectă a proeminenței de pe flanșa interioară să fie orientată în exterior și apoi instalați pânza de ferăstrău și flanșa exterioră.

- Fig.17: 1. Ax de montare 2. Flanșă interioară
3. Pânză de ferăstrău circular 4. Flanșă exterioră 5. Șurub cu cap hexagonal

⚠️ AVERTIZARE: ASIGURAȚI-VĂ CĂ STRÂNGEȚI FERM, ÎN SENS ORAR, ȘURUBUL CU CAP HEXAGONAL. Aveți grijă să nu forțați șurubul la strângere. Alunecarea mâinii pe cheia imbus poate provoca vătămarea personală.

⚠️ AVERTIZARE: Asigurați-vă că proeminența „a” de pe flanșa interioară, poziționată în exterior, se încadrează perfect în orificiul „a” al pânzei de ferăstrău. Montarea pânzei pe partea incorectă poate duce la vibrații periculoase.

Pentru mașină cu flanșă interioară pentru o pânză de ferăstrău cu orificiul cu diametru de 15,88 mm (în funcție de țară)

Montați flanșa interioară cu cavitatea orientată în exterior spre axul de montare, apoi instalați pânza de ferăstrău (cu inelul atașat, dacă este necesar), flanșa exterioră și șurubul cu cap hexagonal.

Pentru mașină fără inel

- Fig.18: 1. Ax de montare 2. Flanșă interioară
3. Pânză de ferăstrău circular 4. Flanșă exterioră 5. Șurub cu cap hexagonal

Pentru mașină cu inel

- Fig.19: 1. Ax de montare 2. Flanșă interioară
3. Pânză de ferăstrău circular 4. Flanșă exterioră 5. Șurub cu cap hexagonal
6. Inel

⚠️ AVERTIZARE: ASIGURAȚI-VĂ CĂ STRÂNGEȚI FERM, ÎN SENS ORAR, ȘURUBUL CU CAP HEXAGONAL. Aveți grijă să nu forțați șurubul la strângere. Alunecarea mâinii pe cheia imbus poate provoca vătămarea personală.

⚠️ AVERTIZARE: Dacă este nevoie de inel pentru a monta pânza pe arbore, asigurați-vă întotdeauna că între flanșa interioară și cea exterioră este instalat inelul corect pentru orificiul de arbore al pânzei pe care intenționați să o folosiți. Utilizarea unui inel de arbore incorect poate duce la montarea necorespunzătoare a pânzei, rezultând mișcarea și vibrarea puternică a acesteia, posibila pierdere a controlului și accidentări grave.

Curățarea apărătorii pânzei

La schimbarea pânzei de ferăstrău circular, aveți grijă să curățați și rumegușul acumulat pe apărătorile superioară și inferioară ale pânzei, conform secțiunii Întreținerea. Această operație nu elimină necesitatea de a verifica funcționarea apărătorii inferioare înainte de fiecare utilizare.

Depozitarea cheii imbus

Atunci când nu este utilizată, depozitați cheia imbus după cum se vede în figură pentru a nu se pierde.

- Fig.20: 1. Cheie imbus

Conectarea unui aspirator

Accesoriu opțional

Dacă doriți să executați operații de tăiere curate, conectați la mașina dumneavoastră un aspirator Makita, folosind duza de praf.

1. Dacă ferăstrăul dvs. circular are pârghie lungă (diferă în funcție de țară), înlocuiți-o cu pârghia scurtă furnizată cu duza de praf.
- Fig.21: 1. Pârghie lungă (diferă în funcție de țară)
2. Șurub 3. Pârghie scurtă

Nu utilizați duza de praf cu pârghia lungă atașată. Nu veți putea executa o tăiere deoarece mișcarea apărătorii inferioare este împiedicată de duza de praf.

2. Instalați duza de praf la mașină folosind șurubul.
- Fig.22: 1. Duza de praf 2. Șurub

3. Conectați un furtun al aspiratorului la duza de praf.
- Fig.23: 1. Furtun 2. Aspirator

OPERAREA

⚠️ ATENȚIE: Aveți grijă să deplasați mașina înainte lent, în linie dreaptă. Forțarea sau răscucirea mașinii vor avea ca efect supraîncălzirea motorului și reculuri periculoase, prezentând risc de vătămare gravă.

⚠️ ATENȚIE: Folosiți întotdeauna un mâner frontal și unul posterior și țineți mașina ferm de mânerul frontal și de mânerul posterior în timpul lucrului.

- Fig.24

Țineți bine mașina. Mașina este echipată cu un mâner frontal de prindere, precum și cu un mâner în partea din spate. Folosiți-le pe ambele pentru a apuca ferm mașina. Dacă țineți ferăstrăul cu ambele mâini, nu există riscul tăierii acestora cu pânza de ferăstrău circular. Așezați talpa pe piesa de prelucrat fără ca pânza de ferăstrău circular să intre în contact cu aceasta. Apoi porniți mașina și așteptați ca pânza de ferăstrău circular să atingă viteza maximă. Acum, deplasați mașina înainte pe suprafața piesei de prelucrat, păstrând-o orizontală și avansând ușor până când tăierea este finalizată.

Pentru a obține tăieturi curate, mențineți o linie de tăiere dreaptă și o viteză de avans uniformă. Dacă nu reușiți să urmăriți corect linia de tăiere preconizată, nu încercați să rotiți sau să forțați mașina înapoi către linia de tăiere. Dacă faceți acest lucru, puteți să îndoiți pânza de ferăstrău circular, existând riscul unor reculuri periculoase și posibile vătămări grave. Eliberați butonul declanșator, așteptați ca pânza de ferăstrău circular să se oprească și apoi retrageți mașina. Realiniați mașina cu noua linie de tăiere și reîncepeți tăierea. Încercați să evitați pozițiile care expun operatorul la așchiile și rumegușul aruncate de ferăstrău. Utilizați dispozitive de protecție a ochilor pentru a evita vătămarea.

Ghidaj opritor (riglă de ghidare)

Accesoriu opțional

► **Fig.25:** 1. Ghidaj opritor (riglă de ghidare) 2. Șurub de strângere

Rigla de ghidare practică vă permite să executați tăieturi drepte extrem de precise. Lipiți pur și simplu rigla de ghidare pe latura piesei de prelucrat și fixați-o în poziție cu șurubul de la partea din față a tălpii. Această permite, de asemenea, executarea de tăieri repetate de lățime uniformă.

ÎNȚEȚINERE

⚠ATENȚIE: Asigurați-vă că ați oprit mașina și că ați deconectat-o de la rețea înainte de a efectua operațiuni de inspecție sau întreținere.

⚠ATENȚIE: Curățați apărătoarea pentru a vă asigura că nu s-au acumulat rumeguș și așchii care ar putea obstrucționa funcționarea sistemului de protecție. Un sistem de protecție murdar poate limita funcționarea corectă, rezultând accidentări personale grave. Cea mai eficientă metodă de efectuare a operației de curățare este cu aer comprimat. **Dacă praful este suflat dinspre apărători, asigurați-vă că folosiți o protecție corespunzătoare pentru ochi și respirație.**

NOTĂ: Nu utilizați niciodată gazolină, benzină, diluant, alcool sau alte substanțe asemănătoare. În caz contrar, pot rezulta decolorări, deformări sau fisuri.

Reglarea paralelismului

Acest reglaj este efectuat din fabrică. Dacă însă are loc o deplasare, puteți regla paralelismul conform procedurii următoare.

1. Asigurați-vă că toate manetele și șuruburile sunt strânse. Slăbiți ușor strângerea șurubului în modul ilustrat.

► **Fig.26:** 1. Șurub 2. Talpă

2. În timp ce deschideți apărătoarea inferioară, mișcați talpa spate astfel încât distanțele A și B să devină egale.

3. Strângeți șuruburile și faceți o tăiere de probă pentru a verifica paralelismul.

Reglarea preciziei de tăiere la 0°

Acest reglaj este efectuat din fabrică. Dacă însă are loc o deplasare, puteți regla paralelismul conform procedurii următoare.

1. Slăbiți ușor șuruburile de strângere de pe partea frontală și cea din spate a mașinii.

2. Așezați talpa perpendicular pe pânză cu ajutorul unui echer sau al unui vinclu, răsucind șurubul de reglare.

► **Fig.27:** 1. Echer 2. Talpă 3. Șurub de reglare 4. Șurub de strângere

3. Strângeți șuruburile de strângere și apoi faceți o probă de tăiere pentru a verifica verticalitatea.

Înlocuirea periiilor de cărbune

► **Fig.28:** 1. Marcaj limită

Verificați periiile de cărbune în mod regulat.

Înlocuiți-le atunci când s-au uzat până la marcajul limită. Periiile de cărbune trebuie să fie în permanență curate și să alunece cu ușurință în suport. Ambele perii de cărbune trebuie înlocuite simultan. Folosiți numai perii de cărbune identice.

1. Folosiți o șurubelniță pentru a demonta capacele suporturilor pentru perii.

2. Scoateți periiile de carbon uzate, introduceți periiile noi și fixați capacul pentru periiile de cărbune.

► **Fig.29:** 1. Capacul suportului pentru perii

Pentru a menține SIGURANȚA și FIABILITATEA produsului, reparațiile și orice alte lucrări de întreținere sau reglare trebuie executate de centre de service Makita autorizate sau proprii, folosind întotdeauna piese de schimb Makita.

ACCESORII OPȚIONALE

⚠ATENȚIE: Folosiți accesoriile sau piesele auxiliare recomandate pentru mașina dumneavoastră Makita în acest manual. Utilizarea oricăror alte accesorii sau piese auxiliare poate prezenta risc de vătămare corporală. Utilizați accesoriile și piesele auxiliare numai în scopul destinat.

Dacă aveți nevoie de asistență sau de mai multe detalii referitoare la aceste accesorii, adresați-vă centrului local de service Makita.

- Pânză de ferăstrău circular
- Ghidaj opritor (riglă de ghidare)
- Cheie imbus
- Duză de praf (cu pârghie)
- Duză de praf (fără pârghie)
- Șină de ghidare
- Ghidaj de tăiere oblică
- Dispozitiv de strângere
- Foaie
- Foaie de cauciuc
- Foaie de poziție
- Adaptor pentru șina de ghidare
- Riglă gradată

NOTĂ: Unele articole din listă pot fi incluse ca accesorii standard în ambalajul de scule. Acestea pot diferi în funcție de țară.

TECHNISCHE DATEN

Modell:		HS7611
Sägeblattdurchmesser		185 - 190 mm
Max. Schnitttiefe	bei 0°	63 - 65 mm
	bei 45° Neigungswinkel	44 - 45 mm
Leerlaufdrehzahl		5.500 min ⁻¹
Gesamtlänge		311 mm
Nettogewicht		3,9 kg
Sicherheitsklasse		Ⓜ/II

- Wir behalten uns vor, Änderungen der technischen Daten im Zuge der Entwicklung und des technischen Fortschritts ohne vorherige Ankündigung vorzunehmen.
- Die technischen Daten können von Land zu Land unterschiedlich sein.
- Gewicht nach EPTA-Verfahren 01/2014

Vorgesehene Verwendung

Das Werkzeug ist für Geradschnitte in Längs- und Querrichtung sowie für schräge Gehrungsschnitte in Holz vorgesehen, wobei es in festem Kontakt mit dem Werkstück bleibt. Mit geeigneten Original-Makita-Sägeblättern können auch andere Materialien gesägt werden.

Stromversorgung

Das Werkzeug sollte nur an eine Stromquelle angeschlossen werden, deren Spannung mit der Angabe auf dem Typenschild übereinstimmt, und kann nur mit Einphasen-Wechselstrom betrieben werden. Diese sind doppelt schutzisoliert und können daher auch an Steckdosen ohne Erdleiter verwendet werden.

Für öffentliche Niederspannungs-Verteilungssysteme mit einer Spannung zwischen 220 V und 250 V

Schaltvorgänge von Elektrogeräten verursachen Spannungsschwankungen. Der Betrieb dieses Gerätes unter ungünstigen Netzstrombedingungen kann sich nachteilig auf den Betrieb anderer Geräte auswirken. Bei einer Netzstromimpedanz von 0,33 Ohm oder weniger ist anzunehmen, dass keine negativen Effekte auftreten. Die für dieses Gerät verwendete Netzsteckdose muss durch eine Sicherung oder einen Schutzschalter mit trägen Auslösungseigenschaften geschützt sein.

Geräusch

Typischer A-bewerteter Geräuschpegel ermittelt gemäß EN62841:
 Schalldruckpegel (L_{pA}): 95 dB (A)
 Schallleistungspegel (L_{WA}): 106 dB (A)
 Messunsicherheit (K): 3 dB (A)

⚠️ WARNUNG: Einen Gehörschutz tragen.

Schwingungen

Schwingungsgesamtwert (Drei-Achsen-Vektorsumme) ermittelt gemäß EN62841:
 Arbeitsmodus: Schneiden von Holz
 Schwingungsemission (a_{h,w}): 2,5 m/s² oder weniger
 Messunsicherheit (K): 1,5 m/s²

HINWEIS: Der angegebene Schwingungsemissionswert wurde im Einklang mit der Standardprüfmethode gemessen und kann für den Vergleich zwischen Werkzeugen herangezogen werden.

HINWEIS: Der angegebene Schwingungsemissionswert kann auch für eine Vorbewertung des Gefährdungsgrads verwendet werden.

⚠️ WARNUNG: Die Schwingungsemission während der tatsächlichen Benutzung des Elektrowerkzeugs kann je nach der Benutzungsweise des Werkzeugs vom angegebenen Emissionswert abweichen.

⚠️ WARNUNG: Identifizieren Sie Sicherheitsmaßnahmen zum Schutz des Benutzers anhand einer Schätzung des Gefährdungsgrads unter den tatsächlichen Benutzungsbedingungen (unter Berücksichtigung aller Phasen des Arbeitszyklus, wie z. B. Ausschalt- und Leerlaufzeiten des Werkzeugs zusätzlich zur Betriebszeit).

EG-Konformitätserklärung

Nur für europäische Länder

Die EG-Konformitätserklärung ist als Anhang A in dieser Bedienungsanleitung enthalten.

SICHERHEITSWARNUNGEN

Allgemeine Sicherheitswarnungen für Elektrowerkzeuge

⚠️ WARNUNG: Lesen Sie alle mit diesem Elektrowerkzeug gelieferten Sicherheitswarnungen, Anweisungen, Abbildungen und technischen Daten durch. Eine Missachtung der unten aufgeführten Anweisungen kann zu einem elektrischen Schlag, Brand und/oder schweren Verletzungen führen.

Bewahren Sie alle Warnungen und Anweisungen für spätere Bezugnahme auf.

Der Ausdruck „Elektrowerkzeug“ in den Warnhinweisen bezieht sich auf Ihr mit Netzstrom (mit Kabel) oder Akku (ohne Kabel) betriebenes Elektrowerkzeug.

Sicherheitswarnungen für Kreissäge

Schneidverfahren

- ⚠️ GEFAHR:** Halten Sie Ihre Hände vom Schnittbereich und vom Sägeblatt fern. Halten Sie mit der zweiten Hand den Zusatzgriff oder das Motorgehäuse. Wenn beide Hände die Säge halten, können sie nicht durch das Sägeblatt verletzt werden.
 - Fassen Sie nicht unter das Werkstück. Die Schutzhaube bietet keinen Schutz auf der Unterseite des Werkstücks.
 - Stellen Sie die Schnitttiefe auf die Dicke des Werkstücks ein. Das Sägeblatt darf nicht mehr als eine Zahnlänge auf der Unterseite des Werkstücks überstehen.
 - Halten Sie das Werkstück beim Schneiden niemals in Ihren Händen oder auf den Beinen. Sichern Sie das Werkstück auf einer stabilen Plattform. Es ist wichtig, das Werkstück sachgemäß abzustützen, um Körperaussetzung, Klemmen des Sägeblatts oder Verlust der Kontrolle auf ein Minimum zu reduzieren.
- Abb.1
- Halten Sie das Elektrowerkzeug an den isolierten Griffflächen, wenn Sie Arbeiten ausführen, bei denen die Gefahr besteht, dass das Schneidwerkzeug verborgene Kabel oder das eigene Kabel kontaktiert. Bei Kontakt mit einem Strom führenden Kabel können die freiliegenden Metallteile des Elektrowerkzeugs ebenfalls Strom führend werden, so dass der Benutzer einen elektrischen Schlag erleiden kann.
 - Verwenden Sie beim Längssägen stets einen Parallelanschlag oder ein Richtlineal. Dadurch wird die Schnittgenauigkeit verbessert und die Gefahr von Sägeblatt-Klemmen reduziert.

- Verwenden Sie stets Sägeblätter, deren Spindelbohrung die korrekte Größe und Form (rautenförmig oder rund) hat. Sägeblätter, die nicht genau auf den Montageflansch der Säge passen, rotieren exzentrisch und verursachen den Verlust der Kontrolle.
- Verwenden Sie niemals beschädigte oder falsche Sägeblattscheiben oder -schrauben. Die Sägeblattscheiben und -schrauben sind speziell für Ihre Säge vorgesehen, um optimale Leistung und Betriebssicherheit zu gewährleisten.

Rückschlagursachen und damit zusammenhängende Warnungen

- Ein Rückschlag ist eine plötzliche Reaktion auf ein eingeklemmtes, blockiertes oder falsch ausgerichtetes Sägeblatt, der ein unkontrolliertes Anheben und Herausspringen der Säge aus dem Werkstück in Richtung der Bedienungsperson verursacht.
- Wenn das Sägeblatt durch den sich schließenden Sägeschlitz eingeklemmt oder blockiert wird, bleibt das Sägeblatt stehen, und die Motorreaktion drückt die Säge plötzlich in Richtung der Bedienungsperson zurück.
- Falls das Sägeblatt im Schnitt verdreht oder versetzt wird, können sich die Zähne an der Hinterkante des Sägeblatts in die Oberfläche des Holzstücks bohren, so dass sich das Sägeblatt aus dem Sägeschlitz heraushebt und in Richtung der Bedienungsperson zurückspringt.

Rückschlag ist das Resultat falscher Handhabung der Säge und/oder falscher Arbeitsverfahren oder -bedingungen und kann durch Anwendung der nachstehenden Vorsichtsmaßnahmen vermieden werden.

- Halten Sie die Säge mit beiden Händen fest, und positionieren Sie Ihre Arme so, dass sie die Rückschlagkräfte auffangen. Stellen Sie sich so, dass sich Ihr Körper seitlich vom Sägeblatt befindet, nicht auf gleicher Linie mit dem Sägeblatt. Rückschlag kann Zurückspringen der Säge verursachen; doch wenn geeignete Vorkehrungen getroffen werden, können die Rückschlagkräfte von der Bedienungsperson unter Kontrolle gehalten werden.
- Falls das Sägeblatt klemmt oder der Schnitt aus irgendeinem Grund unterbrochen wird, lassen Sie den Ein-Aus-Schalter los, und halten Sie die Säge bewegungslos im Werkstück, bis das Sägeblatt zum völligen Stillstand kommt. Versuchen Sie niemals, die Säge bei noch rotierendem Sägeblatt vom Werkstück abzunehmen oder zurückzuziehen, weil es sonst zu einem Rückschlag kommen kann. Nehmen Sie eine Überprüfung vor, und treffen Sie Abhilfemaßnahmen, um die Ursache von Sägeblatt-Klemmen zu beseitigen.
- Wenn Sie die Säge bei im Werkstück befindlichem Sägeblatt wieder einschalten, zentrieren Sie das Sägeblatt im Sägeschlitz, und vergewissern Sie sich, dass die Sägezähne nicht mit dem Werkstück im Eingriff sind. Falls ein Sägeblatt klemmt, kann es beim Wiedereinschalten der Säge aus dem Werkstück herausschnellen oder zurückspringen.

4. **Stützen Sie große Platten ab, um die Gefahr von Klemmen und Rückschlagen des Sägeblatts auf ein Minimum zu reduzieren.** Große Platten neigen dazu, unter ihrem Eigengewicht durchzuhängen. Die Stützen müssen beidseitig der Schnittlinie und in der Nähe der Plattenkante unter der Platte platziert werden.

► **Abb.2**

► **Abb.3**

5. **Verwenden Sie keine stumpfen oder beschädigten Sägeblätter.** Unschärfe oder falsch angebrachte Sägeblätter erzeugen einen schmalen Sägeschlitz, der übermäßige Reibung, Sägeblatt-Klemmen und Rückschlag verursacht.
6. **Die Sägeblatttiefen- und Neigungseinstellungs-Arretierhebel müssen fest angezogen und gesichert sein, bevor der Schnitt ausgeführt wird.** Falls sich die Sägeblatteinstellung während des Sägens verstellt, kann es zu Klemmen und Rückschlag kommen.
7. **Lassen Sie beim Sägen in vorhandene Wände oder andere tote Winkel besondere Vorsicht walten.** Das vorstehende Sägeblatt kann Objekte durchschneiden, die Rückschlag verursachen können.
8. **Halten Sie das Werkzeug IMMER mit beiden Händen fest. Halten Sie NIEMALS Ihre Hand, Ihr Bein oder irgendeinen Körperteil unter die Werkzeugbasis oder hinter die Säge, insbesondere bei der Ausführung von Querschnitten.** Falls Rückschlag auftritt, besteht die Gefahr, dass die Säge über Ihre Hand zurückspringt und schwere Personenschäden verursacht.

► **Abb.4**

9. **Wenden Sie keine Gewalt auf die Säge an. Schieben Sie die Säge mit einer Geschwindigkeit vor, dass das Sägeblatt nicht abgebremst wird.** Gewaltanwendung kann ungleichmäßige Schnitte, Verlust der Genauigkeit und möglichen Rückschlag verursachen.

Funktion der Schutzhaube

1. **Überprüfen Sie die untere Schutzhaube vor jeder Benutzung auf einwandfreies Schließen. Betreiben Sie die Säge nicht, falls sich die untere Schutzhaube nicht ungehindert bewegt und sofort schließt. Die untere Schutzhaube darf auf keinen Fall in der geöffneten Stellung festgeklemmt oder festgebunden werden.** Wird die Säge versehentlich fallen gelassen, kann die untere Schutzhaube verbogen werden. Heben Sie die untere Schutzhaube mit dem Rückzuggriff an, und vergewissern Sie sich, dass sie sich ungehindert bewegt und bei allen Winkel- und Schnitttiefen-Einstellungen nicht mit dem Sägeblatt oder irgendeinem anderen Teil in Berührung kommt.
2. **Überprüfen Sie die Funktion der Feder der unteren Schutzhaube. Falls Schutzhaube und Feder nicht einwandfrei funktionieren, müssen die Teile vor der Benutzung gewartet werden.** Falls beschädigte Teile, klebrige Ablagerungen oder Schmutzansammlung vorhanden sind, kann die untere Schutzhaube schwergängig werden.

3. **Die untere Schutzhaube sollte nur für spezielle Schnitte, wie „Tauschnitte“ und „Doppelwinkelschnitte“, manuell zurückgezogen werden. Heben Sie die untere Schutzhaube mit dem Rückzuggriff an, und sobald das Sägeblatt in das Werkstück eintritt, muss die untere Schutzhaube losgelassen werden.** Für alle anderen Sägearbeiten sollte die untere Schutzhaube automatisch betätigt werden.
4. **Vergewissern Sie sich stets, dass die untere Schutzhaube das Sägeblatt verdeckt, bevor Sie die Säge auf der Werkbank oder dem Boden ablegen.** Ein ungeschützt auslaufendes Sägeblatt bewirkt Rückwärtskriechen der Säge und schneidet alles, was sich in seinem Weg befindet. Berücksichtigen Sie die Auslaufzeit des Sägeblatts bis zum Stillstand nach dem Loslassen des Schalters.
5. **Öffnen Sie die untere Schutzhaube probeweise von Hand, und achten Sie beim Loslassen darauf, dass sie sich einwandfrei schließt. Vergewissern Sie sich auch, dass der Rückzuggriff nicht mit dem Werkzeuggehäuse in Berührung kommt.** Die Bloßstellung des Sägeblatts ist SEHR GEFÄHRLICH und kann zu schweren Verletzungen führen.

Zusätzliche Sicherheitswarnungen

1. **Lassen Sie beim Schneiden von feuchtem Holz, druckbehandeltem Bauholz oder Astholz besondere Vorsicht walten.** Behalten Sie einen gleichmäßigen Vorschub des Werkzeugs bei, ohne dass sich die Sägeblatt Drehzahl verringert, um Überhitzen der Sägeblattzähne zu vermeiden.
2. **Versuchen Sie nicht, abgeschnittenes Material bei rotierendem Sägeblatt zu entfernen. Warten Sie, bis das Sägeblatt zum Stillstand kommt, bevor Sie abgeschnittenes Material wegnehmen.** Das Sägeblatt läuft nach dem Ausschalten noch nach.
3. **Vermeiden Sie das Schneiden von Nägeln. Überprüfen Sie Bauholz vor dem Schneiden auf Nägel, und entfernen Sie etwaige Nägel.**
4. **Setzen Sie den breiteren Teil der Grundplatte auf den fest abgestützten Teil des Werkstücks, nicht auf den Teil, der nach dem Schnitt herunterfällt. Kurze oder kleine Werkstücke müssen eingespannt werden. VERSUCHEN SIE NICHT, KURZE WERKSTÜCKE MIT DER HAND ZU HALTEN!**

► **Abb.5**

5. **Bevor Sie das Werkzeug nach Ausführung eines Schnitts absetzen, vergewissern Sie sich, dass sich die Schutzhaube geschlossen hat und das Sägeblatt zu vollständigem Stillstand gekommen ist.**
6. **Versuchen Sie niemals, die Kreissäge zum Sägen verkehrt herum in einen Schraubstock einzuspannen. Dies ist sehr gefährlich und kann zu schweren Unfällen führen.**

► Abb.6

7. Manche Materialien können giftige Chemikalien enthalten. Treffen Sie Vorsichtsmaßnahmen, um das Einatmen von Arbeitsstaub und Hautkontakt zu verhindern. Befolgen Sie die Sicherheitsdaten des Materiallieferanten.
8. Bremsen Sie die Säge nicht durch seitlichen Druck auf das Sägeblatt ab.
9. Verwenden Sie keine Schleifscheiben.
10. Verwenden Sie nur Sägeblätter mit einem Durchmesser, der am Werkzeug markiert oder im Handbuch angegeben ist. Die Verwendung eines Sägeblatts mit falscher Größe kann den einwandfreien Schutz des Sägeblatts oder den Schutzbetrieb beeinträchtigen, was ernsthaften Personenschaden zur Folge haben kann.
11. Halten Sie das Sägeblatt scharf und sauber. An den Sägeblättern haftendes und verhärtetes Gummi und Harz verlangsamt die Säge und erhöhen die Rückschlaggefahr. Halten Sie das Sägeblatt sauber, indem Sie es vom Werkzeug abmontieren und dann mit Gummi- und Harzentrferner, heißem Wasser oder Petroleum reinigen. Verwenden Sie niemals Benzin.
12. Tragen Sie bei der Benutzung des Werkzeugs eine Staubmaske und einen Gehörschutz.
13. Verwenden Sie immer das zum Schneiden des jeweiligen Arbeitsmaterials vorgesehene Sägeblatt.
14. Verwenden Sie nur Sägeblätter, die mit einer Drehzahl markiert sind, die der am Werkzeug angegebenen Drehzahl entspricht oder diese übertrifft.
15. (Nur für europäische Länder)
Verwenden Sie immer ein Sägeblatt, das EN847-1 entspricht.

DIESE ANWEISUNGEN AUFBEWAHREN.

⚠️ WARNUNG: Lassen Sie sich NICHT durch Bequemlichkeit oder Vertrautheit mit dem Produkt (durch wiederholten Gebrauch erworben) von der strikten Einhaltung der Sicherheitsregeln für das vorliegende Produkt abhalten. MISSBRAUCH oder Missachtung der Sicherheitsvorschriften in dieser Anleitung können schwere Personenschäden verursachen.

FUNKTIONSBESCHREIBUNG

⚠️ VORSICHT: Vergewissern Sie sich vor jeder Einstellung oder Funktionsprüfung des Werkzeugs stets, dass es ausgeschaltet und vom Stromnetz getrennt ist.

Einstellen der Schnitttiefe

⚠️ VORSICHT: Ziehen Sie den Hebel nach der Einstellung der Schnitttiefe stets fest an.

Lösen Sie den Hebel an der Tiefenführung, und ziehen Sie die Grundplatte nach oben oder unten. Arretieren Sie die Grundplatte an der gewünschten Schnitttiefe durch Festziehen des Hebels.

Um sauberere, sicherere Schnitte auszuführen, stellen Sie die Schnitttiefe so ein, dass nicht mehr als ein Sägeblattzahn unter das Werkstück übersteht. Die Einstellung der korrekten Schnitttiefe trägt zu einer Reduzierung gefährlicher RÜCKSCHLÄGE bei, die Personenschäden verursachen können.

► **Abb.7:** 1. Tiefenanschlag 2. Hebel 3. Grundplatte

Neigungsschnitt

⚠️ VORSICHT: Ziehen Sie die Klemmschrauben nach der Einstellung des Neigungswinkels stets fest an.

Lösen Sie die vordere und hintere Klemmschraube. Stellen Sie den gewünschten Winkel (0° - 45°) durch entsprechendes Neigen ein, und ziehen Sie dann die vordere und hintere Klemmschraube sicher fest.

► **Abb.8:** 1. Klemmschraube

► **Abb.9:** 1. Klemmschraube

Schnittmarkierung

Richten Sie für Geradschnitte die 0°-Position auf der Vorderseite der Grundplatte auf die Schnittlinie aus. Richten Sie für 45°-Neigungsschnitte die 45°-Position auf die Linie aus.

► **Abb.10:** 1. Schnittlinie (0°-Position) 2. Schnittlinie (45°-Position)

► **Abb.11:** 1. Schnittlinie (0°-Position) 2. Schnittlinie (45°-Position)

Schalterfunktion

⚠️ WARNUNG: Vergewissern Sie sich vor dem Anschließen des Werkzeugs an das Stromnetz stets, dass der Ein-Aus-Schalter ordnungsgemäß funktioniert und beim Loslassen in die AUS-Stellung zurückkehrt.

► **Abb.12:** 1. Ein-Aus-Schalter 2. Einschaltsperrknopf

Um versehentliche Betätigung des Ein-Aus-Schalters zu verhüten, ist das Werkzeug mit einem Einschaltsperrknopf ausgestattet. Betätigen Sie zum Starten des Werkzeugs den Ein-Aus-Schalter bei gedrücktem Einschaltsperrknopf. Zum Ausschalten den Ein-Aus-Schalter loslassen.

⚠️ WARNUNG: Versuchen Sie NIEMALS, den Einschaltsperrknopf mit Klebeband oder anderen Mitteln unwirksam zu machen. Ein Schalter mit unwirksamem Einschaltsperrknopf kann zu ungewolltem Betrieb und daraus resultierenden schweren Personenschäden führen.

⚠️ WARNUNG: Betreiben Sie das Werkzeug NIEMALS, wenn es durch einfache Betätigung des Ein-Aus-Schalters eingeschaltet werden kann, ohne den Einschaltsperrknopf zu drücken. Ein reparaturbedürftiger Schalter kann zu ungewolltem Betrieb und daraus resultierenden schweren Personenschäden führen. Lassen Sie das Werkzeug von einer Makita-Kundendienststelle ordnungsgemäß reparieren, BEVOR Sie es weiter benutzen.

ANMERKUNG: Betätigen Sie den Ein-Aus-Schalter nicht gewaltsam, ohne den Einschaltsperrknopf hineinzudrücken. Dies kann zu Beschädigung des Schalters führen.

MONTAGE

⚠️ VORSICHT: Vergewissern Sie sich vor der Ausführung von Arbeiten am Werkzeug stets, dass es ausgeschaltet und vom Stromnetz getrennt ist.

Demontieren oder Montieren des Kreissägeblatts

⚠️ VORSICHT: Vergewissern Sie sich, dass das Kreissägeblatt so montiert ist, dass die Zähne auf der Vorderseite des Werkzeugs nach oben zeigen.

⚠️ VORSICHT: Verwenden Sie nur den Makita-Schraubenschlüssel zum Montieren und Demontieren von Kreissägeblättern.

1. Zum Demontieren des Kreissägeblatts drücken Sie die Spindelarretierung vollständig hinein, um das Kreissägeblatt am Drehen zu hindern, und lösen Sie dann die Innensechskantschraube mit dem Inbusschlüssel durch Drehen entgegen dem Uhrzeigersinn.

▶ **Abb.13:** 1. Inbusschlüssel 2. Spindelarretierung
3. Innensechskantschraube
4. Außenflansch 5. Lösen 6. Anziehen

2. Entfernen Sie die Innensechskantschraube und den Außenflansch.

3. Drehen Sie den Hebel zum Öffnen der Sägeblattschutzhaube.

▶ **Abb.14:** 1. Hebel

4. Entfernen Sie Sägeblatt und Ring (länderspezifisch).

Für Werkzeug ohne den Ring

▶ **Abb.15:** 1. Innensechskantschraube
2. Außenflansch 3. Kreissägeblatt
4. Innenflansch

Für Werkzeug mit dem Ring

▶ **Abb.16:** 1. Innensechskantschraube
2. Außenflansch 3. Kreissägeblatt 4. Ring
5. Innenflansch

Zum Montieren des Kreissägeblatts wenden Sie das Demontageverfahren umgekehrt an.

Für Werkzeug mit Innenflansch für anderen Sägeblatt-Bohrungsdurchmesser als 15,88 mm

Der Innenflansch besitzt auf jeder Seite einen Vorsprung mit unterschiedlichen Durchmessern. Wählen Sie die korrekte Seite, deren Vorsprung genau in die Sägeblattbohrung passt. Montieren Sie anschließend den Innenflansch an der Montageachse, so dass die korrekte Seite des Vorsprungs am Innenflansch außen liegt, und bringen Sie dann Sägeblatt und Außenflansch an.

▶ **Abb.17:** 1. Montageachse 2. Innenflansch
3. Kreissägeblatt 4. Außenflansch
5. Innensechskantschraube

⚠️ WARNUNG: DIE INNENSECHSKANTSCHRAUBE IM UHRZEIGERSINN FESTZIEHEN. Achten Sie auch darauf, die Schraube nicht gewaltsam anzuziehen. Abrutschen Ihrer Hand vom Inbusschlüssel kann einen Personenschaden verursachen.

⚠️ WARNUNG: Vergewissern Sie sich, dass der außen liegende Vorsprung „a“ am Innenflansch genau in die Sägeblattbohrung „a“ passt. Die Montage des Sägeblatts auf der falschen Seite kann zu gefährlichen Vibrationen führen.

Für Werkzeug mit Innenflansch für Sägeblatt-Bohrungsdurchmesser von 15,88 mm (länderspezifisch)

Montieren Sie den Innenflansch mit der Vertiefung nach außen auf die Montageachse, und bringen Sie dann Sägeblatt (Ring bei Bedarf angebracht), Außenflansch und Innensechskantschraube an.

Für Werkzeug ohne den Ring

▶ **Abb.18:** 1. Montageachse 2. Innenflansch
3. Kreissägeblatt 4. Außenflansch
5. Innensechskantschraube

Für Werkzeug mit dem Ring

▶ **Abb.19:** 1. Montageachse 2. Innenflansch
3. Kreissägeblatt 4. Außenflansch
5. Innensechskantschraube 6. Ring

⚠️ WARNUNG: DIE INNENSECHSKANTSCHRAUBE IM UHRZEIGERSINN FESTZIEHEN. Achten Sie auch darauf, die Schraube nicht gewaltsam anzuziehen. Abrutschen Ihrer Hand vom Inbusschlüssel kann einen Personenschaden verursachen.

⚠️ WARNUNG: Falls der Ring benötigt wird, um das Sägeblatt an der Spindel zu montieren, sollten Sie sich stets vergewissern, dass der korrekte Ring für die Spindelbohrung des zu benutzenden Sägeblatts zwischen Innen- und Außenflansch installiert ist. Die Verwendung eines falschen Spindelbohrungsring kann zu unzulässiger Montage des Sägeblatts führen, so dass es zu Sägeblattbewegung und starker Vibration kommt, die möglichen Verlust der Kontrolle während des Betriebs und schwere Personenschäden zur Folge haben kann.

Reinigung der Sägeblattschutzhaube

Wenn Sie das Kreissägeblatt auswechseln, reinigen Sie auch unbedingt die obere und untere Schutzhaube von angesammeltem Sägemehl, wie im Abschnitt „Wartung“ beschrieben. Solche Arbeiten erübrigen jedoch nicht die Notwendigkeit, die Funktion der unteren Schutzhaube vor jedem Gebrauch zu überprüfen.

Aufbewahrung des Inbusschlüssels

Der Inbusschlüssel kann an der in der Abbildung gezeigten Stelle aufbewahrt werden, damit er nicht verloren geht.

► **Abb.20:** 1. Inbusschlüssel

Anschließen eines Saugeräts

Sonderzubehör

Um saubere Schneidarbeiten durchzuführen, schließen Sie ein Makita-Sauggerät mit Hilfe des Absaugstutzens an Ihr Werkzeug an.

1. Wenn Ihre Kreissäge einen langen Hebel hat (länderspezifisch), ersetzen Sie ihn durch den mit dem Absaugstutzen gelieferten kurzen Hebel.

► **Abb.21:** 1. Langer Hebel (länderspezifisch)
2. Schraube 3. Kurzer Hebel

Benutzen Sie den Absaugstutzen nicht, wenn der lange Hebel angebracht ist. Anderenfalls sind Sie nicht in der Lage, einen Schnitt auszuführen, weil die Bewegung der unteren Schutzhaube durch den Absaugstutzen behindert wird.

2. Befestigen Sie den Absaugstutzen mit der Schraube am Werkzeug.

► **Abb.22:** 1. Absaugstutzen 2. Schraube

3. Schließen Sie einen Schlauch des Saugeräts an den Absaugstutzen an.

► **Abb.23:** 1. Schlauch 2. Saugerät

BETRIEB

⚠️ VORSICHT: Schieben Sie das Werkzeug unbedingt in einer geraden Linie sachte vor. Zu starkes Drücken oder Verdrehen des Werkzeugs führt zu Überhitzen des Motors und gefährlichem Rückschlag, der möglicherweise schwere Verletzungen verursachen kann.

⚠️ VORSICHT: Benutzen Sie stets den vorderen und hinteren Handgriff, und halten Sie das Werkzeug während der Arbeit an beiden Handgriffen fest.

► **Abb.24**

Halten Sie das Werkzeug mit festem Griff. Das Werkzeug ist mit einem vorderen und hinteren Griff ausgestattet. Benutzen Sie beide Griffe, um das Werkzeug optimal zu halten. Wenn beide Hände die Säge halten, können sie nicht durch das Kreissägeblatt verletzt werden. Setzen Sie die Grundplatte auf das zu schneidende Werkstück auf, ohne dass das Kreissägeblatt mit dem Werkstück in Berührung kommt. Schalten Sie dann das Werkzeug ein und warten Sie, bis das Kreissägeblatt die volle Drehzahl erreicht hat. Schieben Sie das Werkzeug nun flach und gleichmäßig über die Werkstückoberfläche vorwärts, bis der Schnitt vollendet ist.

Um saubere Schnitte zu erzielen, halten Sie eine gerade Schnittlinie und eine gleichmäßige Vorschubgeschwindigkeit ein. Falls der Schnitt sich nicht genau mit Ihrer beabsichtigten Schnittlinie deckt, versuchen Sie nicht, das Werkzeug zu drehen oder zur Schnittlinie zurückzudrücken. Dies könnte zu Klemmen des Kreissägeblatts und gefährlichem Rückschlag führen, was schwere Verletzungen verursachen kann. Lassen Sie den Schalter los, und warten Sie, bis das Kreissägeblatt zum Stillstand kommt, bevor Sie das Werkzeug zurückziehen. Richten Sie das Werkzeug auf eine neue Schnittlinie aus, und beginnen Sie einen neuen Schnitt. Vermeiden Sie eine Positionierung, bei der Sie den von der Säge herausgeschleuderten Spänen und dem Holzstaub ausgesetzt sind. Tragen Sie einen Augenschutz, um Augenverletzungen zu verhüten.

Parallelanschlag (Richtlineal)

Sonderzubehör

► **Abb.25:** 1. Parallelanschlag (Richtlineal)
2. Klemmschraube

Der praktische Parallelanschlag ermöglicht die Ausführung besonders genauer Geradschnitte. Schieben Sie einfach den Parallelanschlag gegen die Seite des Werkstücks, und sichern Sie ihn mit der Schraube an der Vorderseite der Grundplatte. Außerdem ermöglicht er wiederholte Schnitte von gleichförmiger Breite.

WARTUNG

⚠ VORSICHT: Vergewissern Sie sich vor der Durchführung von Überprüfungen oder Wartungsarbeiten des Werkzeugs stets, dass es ausgeschaltet und vom Stromnetz getrennt ist.

⚠ VORSICHT: Säubern Sie die Schutzhaube, um sicherzugehen, dass kein angesammeltes Sägemehl und keine Späne vorhanden sind, die die Funktion des Schutzsystems beeinträchtigen können. Ein verschmutztes Schutzsystem kann die ordnungsgemäße Funktion einschränken, was zu schweren Personenschäden führen kann. Am effektivsten kann diese Reinigung mit Druckluft durchgeführt werden. **Verwenden Sie unbedingt einen geeigneten Augenschutz und eine Atemmaske, um sich vor dem aus der Schutzhaube herausgeblasenen Staub zu schützen.**

ANMERKUNG: Verwenden Sie auf keinen Fall Benzin, Waschbenzin, Verdünnern, Alkohol oder dergleichen. Solche Mittel können Verfärbung, Verformung oder Rissbildung verursachen.

Einstellen der Parallelität

Diese Einstellung ist werksseitig durchgeführt worden. Falls sie jedoch verstellt ist, können Sie sie nach dem folgenden Verfahren korrigieren.

1. Vergewissern Sie sich, dass alle Hebel und Schrauben fest angezogen sind. Lösen Sie die abgebildete Schraube geringfügig.

► **Abb.26:** 1. Schraube 2. Grundplatte

2. Während Sie die untere Schutzhaube öffnen, verschieben Sie die Hinterkante der Grundplatte, so dass die Abstände A und B gleich groß werden.

3. Ziehen Sie die Schrauben fest, und führen Sie einen Probeschnitt durch, um die Parallelität zu überprüfen.

Einstellen der 0°-Schnittgenauigkeit

Diese Einstellung ist werksseitig durchgeführt worden. Falls sie jedoch verstellt ist, können Sie sie nach dem folgenden Verfahren korrigieren.

1. Lösen Sie die Klemmschrauben an der Vorder- und Rückseite des Werkzeugs geringfügig.

2. Richten Sie die Grundplatte mithilfe eines Einstelldreiecks oder Richtlineals durch Drehen der Einstellschraube senkrecht zum Sägeblatt aus.

► **Abb.27:** 1. Einstelldreieck 2. Grundplatte
3. Einstellschraube 4. Klemmschraube

3. Ziehen Sie die Klemmschrauben fest, und führen Sie dann einen Probeschnitt durch, um die Senkrechte zu überprüfen.

Auswechseln der Kohlebürsten

► **Abb.28:** 1. Verschleißgrenze

Überprüfen Sie die Kohlebürsten regelmäßig. Wechseln Sie sie aus, wenn sie bis zur Verschleißgrenze abgenutzt sind. Halten Sie die Kohlebürsten stets sauber, damit sie ungehindert in den Haltern gleiten können. Beide Kohlebürsten sollten gleichzeitig ausgewechselt werden. Verwenden Sie nur identische Kohlebürsten.

1. Drehen Sie die Bürstenhalterkappen mit einem Schraubendreher heraus.

2. Nehmen Sie die abgenutzten Kohlebürsten heraus, setzen Sie die neuen ein, und drehen Sie dann die Bürstenhalterkappen wieder ein.

► **Abb.29:** 1. Bürstenhalterkappe

Um die SICHERHEIT und ZUVERLÄSSIGKEIT dieses Produkts zu gewährleisten, sollten Reparaturen und andere Wartungs- oder Einstellarbeiten nur von Makita-Vertragswerkstätten oder Makita-Kundendienstzentren unter ausschließlicher Verwendung von Makita-Originalersatzteilen ausgeführt werden.

SONDERZUBEHÖR

⚠ VORSICHT: Die folgenden Zubehörteile oder Vorrichtungen werden für den Einsatz mit dem in dieser Anleitung beschriebenen Makita-Werkzeug empfohlen. Die Verwendung anderer Zubehörteile oder Vorrichtungen kann eine Verletzungsgefahr darstellen. Verwenden Sie Zubehörteile oder Vorrichtungen nur für ihren vorgesehenen Zweck.

Wenn Sie weitere Einzelheiten bezüglich dieser Zubehörteile benötigen, wenden Sie sich bitte an Ihre Makita-Kundendienststelle.

- Kreissägeblatt
- Parallelanschlag (Richtlineal)
- Inbusschlüssel
- Absaugstutzen (mit Hebel)
- Absaugstutzen (ohne Hebel)
- Führungsschiene
- Winkelführung
- Klemme
- Platte
- Gummipatte
- Positionsplatte
- Führungsschienenadapter
- Richtstange

HINWEIS: Manche Teile in der Liste können als Standardzubehör im Werkzeugsatz enthalten sein. Sie können von Land zu Land unterschiedlich sein.

Makita Europe N.V. Jan-Baptist Vinkstraat 2,
3070 Kortenberg, Belgium

Makita Corporation 3-11-8, Sumiyoshi-cho,
Anjo, Aichi 446-8502 Japan

www.makita.com

885619-977 EN, PL, HU, SK, CS, UK, RO, DE 20170728
