

English

Deutsch

Čeština

Eesti keel

Hrvatski

Bosanski

Latviešu valoda

Lietuvių kalba

Magyar

Polski

Slovenčina

Slovenščina

# EWF 1053 MD

## WASHING MACHINE INSTRUCTION MANUAL

## WASCHMASCHINE BEDIENUNGSANLEITUNG

## PRAČKA NÁVOD K OBSLUZE

## PESUMASIN KASUTUSJUHEHD

## PERILICA RUBLJA UPUTE ZA UPORABU

## VEĻASMAŠĪNA RŌKASGRĀMATA

## SKALBYKLĒ INSTRUKCIJŪ VADOVAS

## MOSÓGÉP HASZNÁLATI ÚTMUTATÓ

## PRALKA INSTRUKCJA OBSŁUGI

## PRAČKA NÁVOD NA OBSLUHU

## PRALNI STROJ NAVODILA

■ Always read the safety&use instructions carefully before using your appliance for the first time. The user's manual must be always included. ■ Bitte lesen Sie vor der Inbetriebnahme des Produktes diese Anleitung und die darin enthaltenen Sicherheitshinweise aufmerksam durch. Die Bedienungsanleitung muss dem Gerät immer beigelegt sein. ■ Před uvedením výrobku do provozu si důkladně pročtěte tento návod a bezpečnostní pokyny, které jsou v tomto návodu obsaženy. Návod musí být vždy přiložen k přístroji. ■ Enne seadme esmakordset kasutamist lugege ohutus- ja kasutusjuhised alati hoolikalt läbi. Kasutusjuhend peab alati kaasas olema. ■ Uvijek pročitajte sigurnosne upute i upute za uporabu prije prvog korištenja vašeg uređaja. Upute moraju uvijek biti priložene. ■ Pirms lierīces pirmās lietošanas reizes vienmēr rūpīgi izlasiet drošības un lietošanas norādījumus. Rokasgrāmata vienmēr jāpārvienro lierīcei. ■ Prieš naudodamies prietaisu pirmąjį kartą, visuomet atidžiai perskaitykite saugos ir naudojimo instrukcijas. Kartu su gaminiu visada privalo būti jo naudotojo vadovas. ■ A termék használata vétele előtt figyelmesen olvassa el ezt a használati útmutatót és az útmutatóban található biztonsági rendelkezéseket. A használati útmutatót tartsa a készülék közelében. ■ Przed pierwszym użyciem urządzenia prosimy o uważne zapoznanie się z instrukcjami dotyczącymi bezpieczeństwa i użytkowania. Instrukcja obsługi musi być zawsze dołączona. ■ Pred uvedením výrobku do prevádzky si dôkladne prečítajte tento návod a bezpečnostné pokyny, ktoré sú v tomto návode obsiahnuté. Návod musí byť vždy priložený k prístroju. ■ Pred vklopom izdelka temeljito preberite ta navodila in varnostne napotke, ki so navedeni v teh navodilih. Navodila morajo biti vedno priložena k napravi.



## SAFETY INSTRUCTIONS

### Read carefully and save for future use!

**Warning:** The safety precautions and instructions in this manual do not cover all possible conditions and situations that may occur. The user must understand that common sense, caution and care are factors that cannot be incorporated into any of the products. These factors must therefore be provided by the user(s) using and operating this appliance. We are not liable for damages caused during shipping, by incorrect use, voltage fluctuation or the modification or adjustment of any part of the appliance.

Follow the instructions in this manual. Before using for the first time, read the entire written instructions carefully and keep them for future reference.

To protect against the risk of fire or electric shock, basic precautions must be taken while using electrical appliances, including the following:

1. Make sure that the voltage in your outlet corresponds to the voltage indicated on the type plate of your appliance. To ensure your safety, insert the plug of the power cord into a properly grounded three-prong socket installed in accordance with the applicable Technical Standard in accordance with the manufacturer's instructions and local safety regulations.
2. Do not operate the device if the cord is damaged. Entrust the connection of the appliance to the power supply and the water connection, any repairs or adjustments, including the replacement of the power cable, to an authorized service center! Do not remove the protective covers from the appliance; there is a risk of electric shock!
3. Do not plug and unplug the power cord from the outlet using wet hands. You will avoid risk of electric shock.
4. Do not touch the appliance with wet hands or feet.
5. The power cord must remain accessible once the device is installed. Do not shorten the cable or use a power strip or extension cord.

- Do not allow the cord to touch hot surfaces or place the cord over sharp edges.
6. Do not turn the device on or off by plugging or unplugging the power cord. Do not remove the power cord from the outlet by yanking the cord. Unplug the power cord from the outlet by grasping the plug. After use, always switch off with the rotary selector to the OFF position, disconnect the appliance from the power supply and close the water supply.
  7. Do not place the machine on carpets or similar surface that could block the ventilation openings in the base.
  8. Do not insert any objects into the device or place any objects on the device (e.g. vases, cups, etc.).
  9. Do not place the drain hose of your machine in the sink, buckets or basins.
  10. Do not allow children to play with the appliance. Protect access to the machine from children and animals. **Children under the age of 3 should be denied access unless they are under constant supervision.**
  11. Keep away from children the small parts supplied in the bag with documentation.
  12. Do not expose the appliance to direct sunlight, do not use it outside, and do not expose it to rain.
  13. Do not keep flammable liquids close to the appliance.
  14. Do not wash items that have been cleaned, washed, soaked or stained with flammable or explosive substances (wax, oil, paint, petrol, degreasers, chemical solvents, kerosene, etc.) in the washing machine. The use of highly flammable and explosive or toxic solvents is prohibited. Do not use gasoline, alcohol, etc. as detergent. There might be a fire or explosion. **Carpet washing is prohibited.**
  15. Do not touch the washing machine with wet hands when in operation. Never open the detergent drawer or the washing machine door during washing and spinning.

16. During discharge, do not touch the drain hose and the discharged water. Water may reach high temperatures during the operation of the washing machine.
17. In case of malfunction first unplug it from power and then close the water tap. Do not try to repair the appliance by yourself, contact an authorized service center.
18. Before using it for the first time, do not forget to **REMOVE THE LOCKING SCREWS** which are securing the washing machine drum during transportation. Damage cause by starting the washing machine with installed locking screws is not covered by the warranty.
19. The appliance is intended exclusively for domestic use and for washing only textile materials. In the event of commercial use or use not in accordance with this manual, the warranty becomes void.
20. This washing machine is intended for indoor use only.
21. Do not install the appliance in wet or damp rooms, as well as in rooms where appear explosive or corrosive gases.
22. This appliance is intended for use by children 8 years of age and older and persons with reduced physical or mental abilities or lack of experience and knowledge, provided they are under supervision or given instructions concerning use of the appliance in a safe manner and understand the potential hazards. Cleaning and maintenance by the user must not be done by children unless they are older than 8 years old and under supervision. Children under the age of 8 must keep away from the appliance and the power supply.
23. Any intervention in the appliance by a person other than an authorized service provider results in loss of warranty.
24. The warranty does not cover damage caused by outside effects (flood, chemicals, fire, etc.).
25. The manufacturer is not liable for any damage caused by improper grounding/use. **DANGEROUS VOLTAGE, RISK OF INJURY!**

## RECOMMENDATION

- Before using your new washing machine, ask for help with the installation and putting in operation a qualified plumber or an authorized service center.

- Install the washing machine in a well ventilated area with adequate air circulation. Place the appliance so that it can fully open the washing machine door. The washing machine is not intended as a built-in or for integration into furniture sets.
- The ideal ambient temperature for the washing machine operation is 15 °C to 25 °C.
- Frozen hoses can rot and break. In areas where the temperature drops below freezing, the temperature may jeopardize the safe operation of electronic circuits.
- We recommend that the first washing cycle be undergone without laundry for „90° white cotton“ so that you pour in the second compartment of the detergent drawer ½ measuring cup of detergent.
- Since long term contact with air can lead to deposition of detergent or fabric softener, pour the detergent and fabric softener into the compartment until just before the intended wash.
- We recommend using the prewash program only for heavily soiled laundry.
- The amount of laundry loaded into the washing machine must not exceed the maximum permitted amount. Otherwise, the washing machine will run in the safe mode.
- Use the washing machine only for laundry that is labelled by the manufacturer as suitable for machine washing.
- When using fabric softener and similar products in your machine, follow the manufacturer's recommendations for detergent/fabric softener.
- Make sure that there are no foreign objects in the pockets of the laundry pieces put in the washing machine (nails, needles, coins, lighters, matches, clips, etc). These foreign objects could damage the washing machine.
- Washing very dusty clothing damages your washing machine. Shake heavily dusty clothing before placing it in the washing machine.
- Never open the detergent drawer while the machine is running.
- Never force open the door of the washing machine while it is running.
- Before opening the door, make sure that no water remains in the drum. Do not open the washing machine door if you see water.
- At the end of the program, wait at least 2 minutes and then open the door.
- Sulphur in decolourants may cause corrosion. Therefore never use decolourants in the washing machine. Never use substances containing solvents (e.g. benzine) in the washing machine.
- If you are not using the washing machine for longer time, unplug it, close the water supply and leave the door open. The interior of your machine will stay dry and free of odours.
- After testing at the end of the manufacturing process in the machine might remain a small amount of water, which does not constitute a risk of damage to your machine.

### **Danger of flooding**

- Use a new set of hoses included with the appliance.
- Do not reuse the old hoses set.
- Always disconnect the appliance from the power supply and turn off the water supply after use.
- Do not place the drain hose of your machine in the sink, buckets or basins.

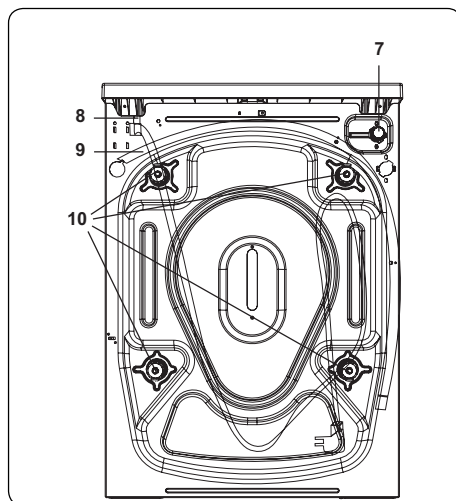
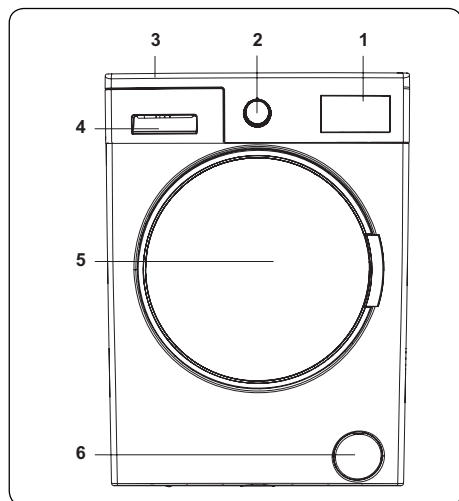
### **Danger of fall or injury**

- Do not step or sit on the washing machine. The top plate could break and you could injure yourself.
- Do not lean on the door. Do not force it closed. If it is difficult to close the door, make sure that there are not too many clothes in the washing machine or that they are well distributed.
- Arrange safely the hoses and power cable after installation. Trip and fall could cause injuries.
- Do not turn the washing machine upside down or on its side.
- Do not lift the washing machine by its protruding parts (detergent drawer, door). They could be damaged and cause injury.
- Handling the washing machine requires cooperation of at least two people.

## Children's safety

- Children under the age of 3 should be denied access unless they are under constant supervision. Do not leave children without supervision close to the washing machine. Children could lock themselves inside the washing machine with fatal consequences.
- During the operation the glass door and the washing machine surfaces can be very hot. Protect small children and animals from contact with these surfaces.
- Keep the packaging materials away from the children. There is a risk of suffocation
- Swallowing detergents may cause poisoning and contact with skin or eyes may cause irritation. Keep detergents away from the children.

## DESCRIPTION



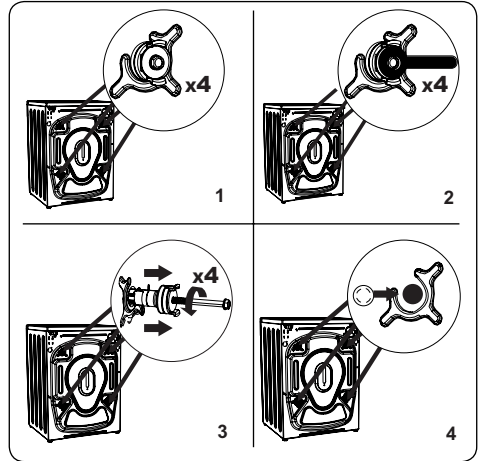
1. Electronic display
2. Program selector
3. Top cover
4. Detergent drawer
5. Drum
6. Pump filter cover
7. Filling valve
8. Power cord
9. Drain hose
10. Shipping screws

## INSTALLATION

### Shipping screws removal

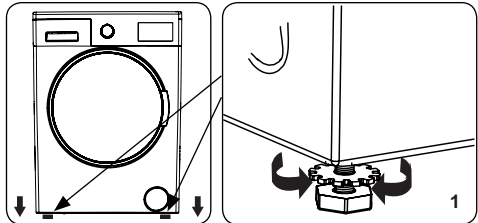
1. Before starting the washing machine, remove the 4 shipping screws and rubber washers from the back of the washing machine. If the screws are not removed, they can cause strong vibrations, noise and malfunction of the washing machine and will void the warranty.
2. Loosen the shipping screws by turning them counterclockwise with a suitable wrench.
3. Remove the shipping screws by pulling them straight out.
4. Insert the plastic plugs provided in the accessories bag into the holes left after removing the screws. Shipping screws should be stored for future use.

**Note:** Remove shipping screws before first use of the washing machine. Malfunctions caused by operating the washing machine with the installed shipping screws are not covered by the warranty.



### Adjusting the leveling feet / adjusting the adjustable stops

1. Do not install the washing machine on a surface (e.g. carpet) that would prevent ventilation from below.
  - To ensure quiet, vibration-free operation, install it on a solid surface.
  - You can level the washing machine with the adjustable feet.
  - Loosen the plastic lock nut.
2. If you want to increase the height of the washing machine, turn the feet clockwise. If you want to lower the height of the washing machine, turn the feet counterclockwise.
  - Once the washing machine is levelled off, tighten the lock nuts by turning them clockwise.
3. Never put underneath the washing machine cardboard, wood or any other similar materials.
  - When sweeping and washing the floor on which the washing machine is placed, take care not to disturb the horizontal position of the washing machine.



### Power connection

- The washing machine requires power supply of 220-240 V, 50 Hz.
- The power cable of your washing machine is equipped with a grounded plug. This plug should always be inserted into a 10 A grounded outlet.
- If you do not have a suitable outlet and a grounded fuse, consult a qualified electrician.
- We are not liable for damages resulting from connecting the appliance to an ungrounded outlet.

**Note:** Operating the washing machine at low voltage shortens the service life and reduces its efficiency.

### Water supply hose

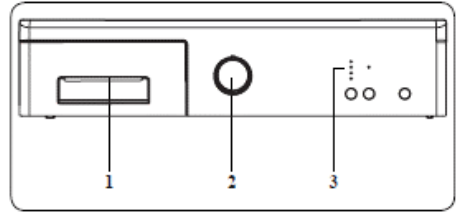
1. Depending on the specifications of the washing machine, your washing machine may be connected to a cold water supply or to a cold and hot water supply. A hose with a white cap should be connected to the cold water supply and a hose with a red cap to the hot water supply (if available).





## CONTROL PANEL OVERVIEW

1. Detergent drawer
2. Program selector
3. Electronic display and additional functions



### Detergent drawer

1. The liquid detergent partition ensures its even dispensing during washing.
2. Detergent dispenser
3. Fabric softener dispenser
4. Detergent dispenser for prewash

### Sections

#### Detergent dispenser:

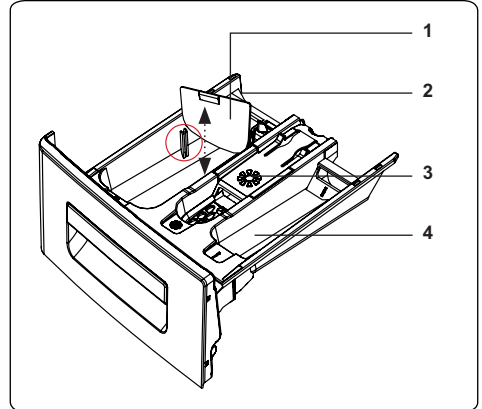
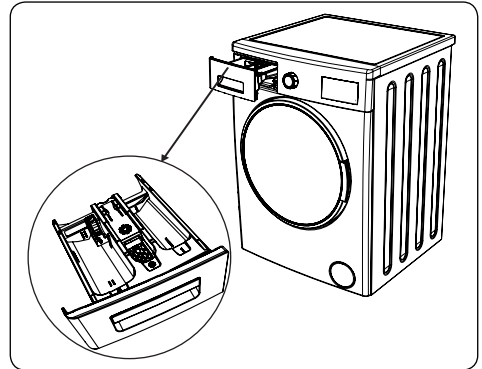
This section is for liquid or powder detergents or limescale removers.

#### Softener, starch, detergent:

This section is for emollients, fabric softeners or starch. Follow the instructions on the package. If fabric softeners leave marks on the laundry after use, try diluting them or using a liquid fabric softener.

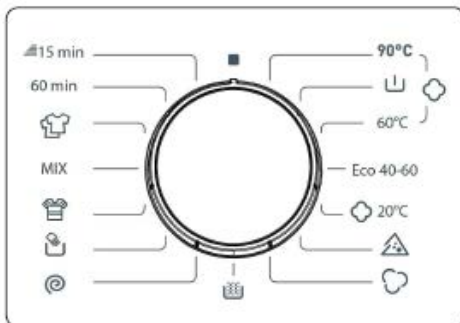
#### Detergent dispenser for prewash:

You should only use this dispenser if you have selected the prewash function. We recommend using the prewash function only for very dirty laundry.



## Program selector

- To select the desired program, turn the program selector clockwise or counterclockwise until the mark on the program selector points to the selected program.
- Make sure the program selector points exactly to the program you want to select.

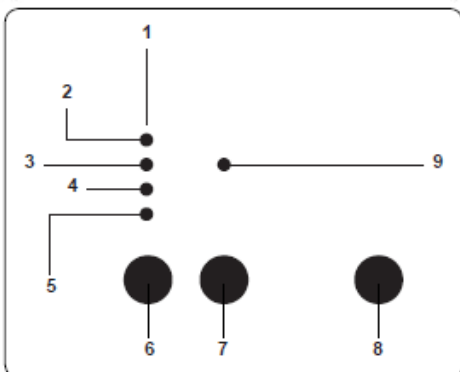


## Electronic display

1. Panel with display
2. Operation indicator (washing)
3. Rinse indicator
4. Spin indicator
5. Program completion indicator
6. Delayed start additional function button
7. Quick wash additional function button
8. START/PAUZA button
9. Additional function indicator – quick wash

The display shows the delayed start timer (if set), the temperature, all the additional functions you have selected and the current phase of the running program (prewash / wash - rinse - spin).

When the selected program is completed, END appears on the display. Display also shows whether the washing machine has malfunctioned.



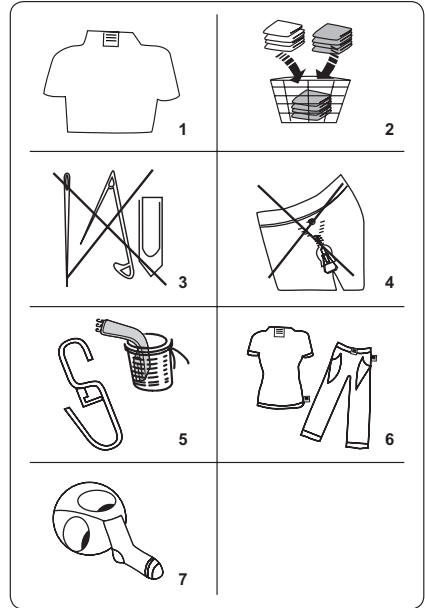
## USING THE WASHING MACHINE

### Laundry preparation

1. Follow the instructions of the labels on the garment.
  - Divide the laundry according to type (cotton, synthetics, delicate, wool, etc.), washing temperature (cold, 30°, 40°, 60°, 90 °) and degree of soiling (slightly soiled, soiled, heavily soiled).
2. Never wash coloured and white laundry together.
  - Dark fabrics may contain excess dye and should be washed separately several times.
3. Make sure there are no metal objects on the laundry or in the pockets; if so, remove them.

**ATTENTION:** The warranty does not cover malfunctions that occur due to damage by foreign material.

4. Close zippers, all hooks and eyelets.
5. Remove the metal or plastic hooks of the curtains or put them in a washing net or bag.
6. Turn fabrics such as pants, knits, T-shirts and sweatshirts inside out.
7. Wash socks, handkerchiefs and other small items in a protective net.



## Clothing care symbols

 Normal wash	 Maximum washing temperature is 90 °C	 Maximum washing temperature is 60 °C
 Maximum washing temperature is 30 °C	 Manual washing	 Washing prohibition
 Can be bleached	 No bleach	 Maximum ironing temperature 110 °C
 Maximum ironing temperature 150 °C	 Maximum ironing temperature 200 °C	 Do not iron
 Can be dry cleaned	 Dry cleaning prohibition	 Unfold flat
 Hang when wet	 Hang to dry	 Do not tumble dry
 Can be cleaned with gasoline, alcohol, and trifluorotrchloroethane	 Can be cleaned with benzene, perchlorethylene	 Can be cleaned with perchlorethylene, R11, R113 and gasoline

## Putting laundry in the washing machine

- Open the washing machine door.
- Spread the laundry evenly in the washing machine.

**NOTE:** Be careful not to exceed the maximum load of the drum, as this would lead to poor washing results and wrinkling of the laundry. Information on the capacity of the washing machine can be found in the table of washing programs.

The following table shows the approximate weight of common types of laundry:

TYPE OF LAUNDRY	WEIGHT (g)
Towel	200
Bed linen	500
Bathrobe	1,200
Blanket	700
Pillow case	200
Underwear	100

Tablecloth

250

- Load each piece of laundry separately.
- Make sure that no objects are caught between the rubber seal and the door.
- Gently push on the door until it clicks.
- Make sure that the door is completely closed, otherwise the program will not start.

## Adding detergent to the washing machine

The amount of detergent used in the washing machine depends on the following criteria:

- If the laundry is only slightly soiled, do not prewash it. Put a small amount of detergent (according to the manufacturer's instructions) in compartment II of the detergent drawer.
- If the laundry is soiled too much, select the prewash program and place  $\frac{1}{4}$  of the detergent to be used in section I of the detergent drawer and the rest in section II.
- Use detergents designed for automatic washing machines in the washing machine. Follow the manufacturer's instructions regarding the amount of detergent to be used.
- More detergent is needed in areas with hard water.
- The amount of detergent required increases with larger loads of laundry.
- Put softener into the middle section of the detergent drawer. Do not exceed the MAX mark.
- Thick softeners may cause blockage of the drawer and should be diluted.
- Liquid detergents can be used in all programs without prewash. In this case, insert the liquid detergent level gauge into the sockets in section II of the detergent drawer. Use the lines on the gauge as a guide to fill the drawer to the desired level.

## Washing machine operation

1. Connect the washing machine to the power supply.
  2. Turn on the water supply.
- Open the washing machine door.
  - Spread the laundry evenly in the washing machine.
  - Gently push on the door until it clicks.

## Program selection

Use the program table to select the most suitable program for your laundry.

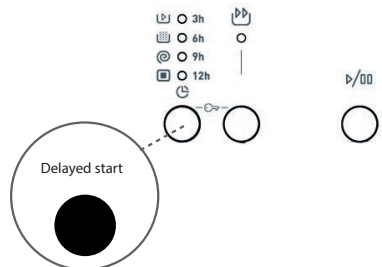
## Half load detection system

Your washing machine has a half load detection function.

If you put less than half the maximum amount of laundry in the washing machine, it will automatically set the half load function regardless of the selected program. This means that it takes less time to complete the selected program and uses less water and energy.

## Delay start timer

- Press the Delay start button once.
- The "3h" indicator comes on.
- Press the Delayed Start button repeatedly until the indicator light with the desired delayed start setting (3, 6, 9 or 12 hours) comes on.
- If you have skipped the delayed start time you want to set, keep pressing the Delay start button until the desired time is displayed again.
- To activate the selected delay time, press any additional function button (except the Start / Pause button).
- Use the START / PAUSE button to start the delayed start countdown.



- To cancel the delayed start function after you have set it, press the Delay Start button once. The delayed start indicator goes out.
- To add / remove laundry when the delayed start function is active, you must press the Start / Pause button. After adding / removing laundry, you must press the Start / Pause button again to activate the delayed start function.

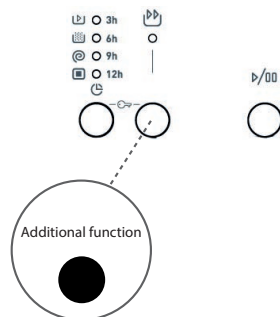
## Quick wash: additional function

By using this function, you can wash the laundry in less time and use less energy and water.

We recommend using this option only if you wash less than half of the maximum load of dry laundry for the selected program.

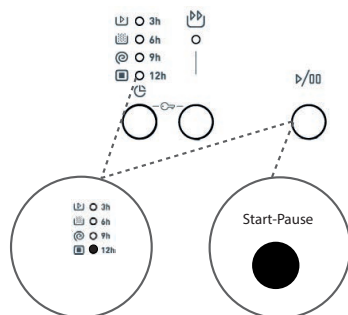
Select this function by pressing the Quick Wash button. The quick wash light comes on.

**NOTE:** If you put less than half the maximum amount of laundry in the washing machine, the washing machine will automatically set the half load function, regardless of the selected program. This means that it takes less time to complete the selected program and uses less water and energy. If your washing machine detects half the load, the Quick Wash symbol will automatically appear on the display.



## Start/Pause button

To start the selected program, press the Start / Pause button. The operation (washing) indicator lights up.



## Child lock

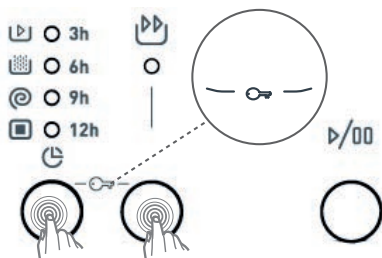
The Child Lock function allows you to lock the buttons so that the selected wash cycle cannot be accidentally changed.

To activate the child lock, press and hold the additional function buttons at the same time, as shown, for at least 3 seconds. When the child lock is active, the additional function indicator light on the panel will be on.

If you press any button or change the program selected with the program selector while the child lock is active, the additional function indicator light flashes on the display.

If the washing machine is already washing, while the child lock is active and you try to change the program by turning the program selector to the "0" position and then to the required program, the washing machine will continue to wash without change.

To deactivate the child lock, press and hold the additional function buttons simultaneously for at least 3 seconds.



## Cancelling program

The selected program can be canceled at any time:

1. Switch the program selector to "0" position.
2. The washing machine stops the wash cycle and the program is cancelled.
3. Drain the water from the washing machine by turning the PROGRAM selector to any other program.
4. Your washing machine will drain the water and cancel the program.








You can now select and start a new program.

## End of program

Your washing machine will stop by itself when the selected program ends.

- The program end light is on on the panel.
- You can open the washing machine door and remove the laundry.
- Leave the washing machine door open to allow the interior of the washing machine to dry.
- Switch the program selector to "0" position.
- Unplug the washing machine from the power supply.
- Close the water supply.

## PROGRAMS TABLE

Programme	Temperature (°C)	Maximum dry laundry capacity (kg)	Compartment	Length (minutes)	Laundry type/ Description
COTTON 90°	90	5.0	2	176	Heavily soiled, cotton and linen laundry. (Underwear, bed linen, tablecloths, towels (maximum 2.5 kg), bed sheets, etc.)
Prewash – Cotton	60	5.0	1+2	156	Soiled cotton and linen fabrics. (Underwear, bed linen, tablecloths, towels (maximum 2.5 kg), bed sheets, etc.)
COTTON 60 °C	60	5.0	2	190	Soiled cotton and linen fabrics. (Underwear, bed linen, tablecloths, towels (maximum 2.5 kg), bed sheets, etc.)
ECO 40-60	40	5.0	2	180	Soiled cotton and linen fabrics. (Underwear, bed linen, tablecloths, towels (maximum 2.5 kg), bed sheets, etc.)
COTTON 20 °C	20	2.5	2	96	Less soiled cotton and linen fabrics. (Underwear, bed linen, tablecloths, towels (max. 2 kg), bed sheets etc.)
Synthetics 	40	3.0	2	110	Heavily soiled synthetic fabrics. (Nylon stockings, T-shirts, blouses, synthetic blends, etc.)
WOOL 	30	2.0	2	39	Wool laundry with label making it machine washable.
RINSE 	--	5.0	--	36	Additional rinse of any type of laundry after washing.
SPINNING 	--	5.0	--	15	Additional spin of any type of laundry after washing.
DELICATE / HAND 	30	2.0	2	90	Laundry for which hand washing or delicate laundry is recommended.
COLORED 40 °C 	40	3.0	2	180	Less soiled cotton and linen fabrics. (Underwear, bed linen, tablecloths, towels (max. 2 kg), bed sheets etc.)
MIXED	30	3.0	2	81	You can wash together soiled cotton, synthetic, colored and linen fabrics.
BLOUSES / SHIRTS 	60	3.0	2	107	You can wash together soiled cotton, synthetics and synthetic blends, T-shirts, blouses.
QUICK 60 min.	60	2.0	2	60	Soiled, cotton, colored and linen fabrics washed at 60° C for 60 minutes.
QUICK 15 min.*	30	2.0	2	15	Slightly soiled cotton, linen and dyed fabrics.

\* Due to the short washing time of this program, we recommend using less detergent. If the washing machine detects an uneven load, the program may last longer than 15 minutes. You can open the washing machine door 2 minutes after the end of the wash cycle. (This two-minute period is not included in the duration of the program).



**NOTE:** THE DURATION OF THE PROGRAM MAY CHANGE DEPENDING ON THE AMOUNT OF LAUNDRY, WATER TYPE, AMBIENT TEMPERATURE AND SELECTED ADDITIONAL FUNCTIONS.

- If you load 2 kg or less of laundry into the washing machine, the washing machine will start an automatic cycle lasting 30 minutes.
- Due to the short washing time of this program, we recommend using less detergent. If the washing machine detects an uneven load, the program may last longer than 15 minutes. You can open the washing machine door 2 minutes after the end of the wash cycle. (This two-minute period is not included in the duration of the program).
- According to regulations 1015/2010 and 1061/2010, program 3 with temperature options is the "Standard program for cotton at 60° C" and the "Standard program for cotton at 40° C".
- The Eco 40-60 program can jointly clean normally soiled cottons with a recommended wash temperature of 40° C or 60° C in the same cycle and is used to assess compliance with EU ecodesign legislation.
- The most energy efficient programs are usually programs that wash for longer at lower temperatures.
- Filling the household washing machine to the capacity specified by the manufacturer for the relevant programs will contribute to energy and water savings.
- Program duration, energy consumption and water consumption values may vary depending on the weight and type of load, selected additional functions, type of water and ambient temperature.
- It is recommended to use liquid detergent for washing programs that wash at low temperatures. The amount of detergent depends on the amount of laundry and the degree of soiling. Follow the detergent manufacturer's recommendations for the amount used.
- The spin speed affects the noise and the residual moisture content. The higher the spin speed in the spin phase, the higher the noise and the lower the residual moisture content.
- You can access the product database, where model information is stored by reading the QR code on the energy label.

### Important information

- Use only detergents, fabric softeners and accessories suitable for automatic washing machines. Excessive foam formed and the automatic foam absorption system was activated due to the use of too much detergent.
- We recommend regular cleaning of the washing machine every 2 months. Use the Drum Clean program for regular cleaning. If your washing machine does not have the Drum Clean program, use the Cotton 90 program. If necessary, use only suitable descaling agents developed specifically for washing machines.
- Never open the door while the washing machine is in operation. You can open the washing machine door 2 minutes after the end of the wash cycle.
- Installation and repair work must always be performed by an authorized service representative to avoid possible risks. The manufacturer is not liable for damage that may occur during processes performed by unauthorized persons.

## CLEANING AND MAINTENANCE

### Warning

**Before carrying out maintenance and cleaning, switch off the appliance and unplug the power cable.**

**Before starting maintenance and cleaning of the washing machine, shut-off the water supply.**

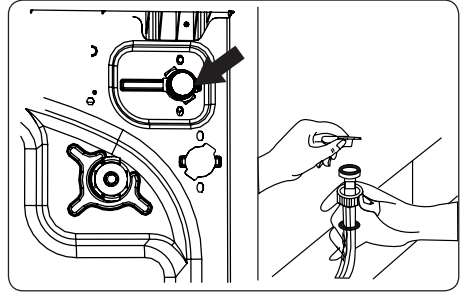
**Do not use solvents, abrasive cleaners, glass cleaners or all-purpose cleaners to clean the washing machine. The chemicals they contain can damage the plastic surfaces of the appliance and other components.**

## Filters for water supply

Filters on the water supply prevent dirt and foreign materials from entering the washing machine.

We recommend cleaning these filters as soon as not enough water flows into the washing machine, although the water supply is switched on and the tap is open. We recommend cleaning these filters every 2 months.

- Unscrew the supply hose (s) from the washing machine.
- To remove the water supply filter from the filling valve, use long pliers and carefully remove the plastic rod on the filter.
- The second water supply filter is located at the end of the supply hose that goes into the tap. To remove the second water supply filter, use long pliers and carefully remove the plastic rod on the filter.
- Thoroughly clean the filter with a soft brush, wash with soapy water and rinse thoroughly. Gently push the filter back into place.



**ATTENTION:** The filters on the water supply valve may be clogged due to poor water quality or insufficient maintenance and may be damaged. This could cause a water leak. Such malfunctions are not covered by the warranty.

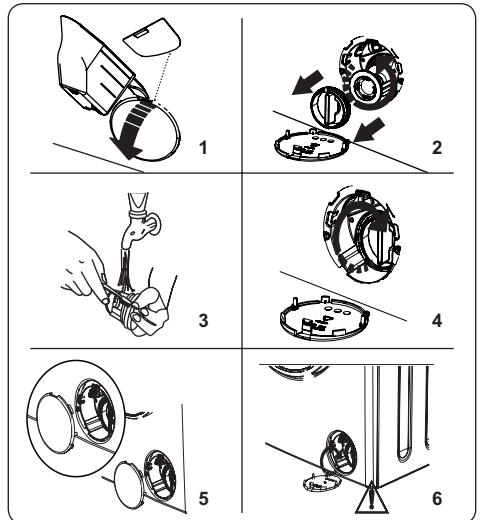
## Pump filter

The pump filtration system in your washing machine extends the life of the pump by preventing dirt from entering the washing machine. We recommend to clean the pump filter every 2 months.

The pump filter is located behind the cover in the lower right front corner.

Pump filter cleaning:

1. Open the cover. You can use the liquid detergent partition, see picture.
2. Insert the end of detergent measuring scoop or liquid detergent dipstick into the opening of the cover and gently push it backward. The cover opens.
3. Before opening, place a container under the filter cover that catches any water left in the washing machine.
4. Release the filter by turning it counterclockwise and pulling to remove it. Wait until the water drains.



**NOTE:** Depending on the amount of water inside the washing machine, it may be necessary to empty the water collection container several times.

5. Use a soft brush to remove all foreign materials from the filter.
6. After cleaning, replace the filter and turn it clockwise to secure it.
7. When closing the filter cover, make sure that the brackets inside the cover fit into the holes on the front panel side.
8. Close the filter cover.

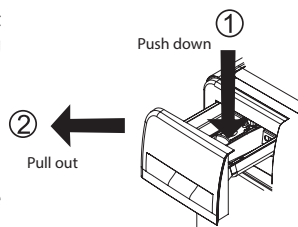
**WARNING:** The water in the pump may be hot, wait for it to cool before cleaning or maintenance.

## Detergent drawer

The use of detergent can eventually lead to residues in the detergent drawer. We recommend removing the drawer every 2 months and cleaning up the accumulated residues.

Removal of the detergent drawer:

- Pull the drawer forward so that it is fully out.
- Carefully push on the drawer (see figure below) and pull it out.
- Clean the drawer with water and a soft brush.
- If there is any dirt left in the drawer, remove it with a soft brush. Make sure that no residual dirt gets into the washing machine.
- Dry the drawer thoroughly and slide it back.
- **Do not wash the detergent drawer in the dishwasher.**



## Flushing plug / body / drum

### 1. Flushing plug

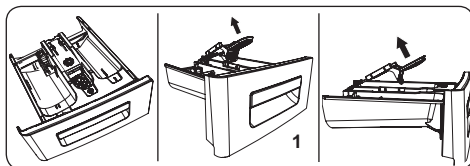
Remove the detergent drawer and remove the flushing plug. Thoroughly remove all residual softener. After cleaning, replace the flushing plug and check that it is fitted correctly.

### 2. Body

Use a mild non-abrasive cleaner or soap and water to clean the outer shell. Wipe dry with a soft cloth.

### 3. Drum

Do not leave metal objects such as needles, paper clips, coins, etc. in the washing machine. These objects cause rust to form on the drum. Use a chlorine-free cleaner and follow the detergent manufacturer's instructions to clean the rust. Never use a scouring pad or similar hard objects to clean rust stains.



## TROUBLESHOOTING

The washing machine should be repaired by an authorized service company. If the washing machine needs to be repaired or if you cannot solve the problem using the instructions below, you should:

- Unplug the washing machine from power supply.
- Close the water supply.

ERROR	POSSIBLE CAUSE	TROUBLESHOOTINGU
The washing machine does not turn on.	The washing machine is not connected to electricity.	Connect the washing machine to power supply.
	The fuses are defective.	Change the fuses.
	There is no electricity.	Check the power supply.
	The Start/Pause button was not pressed.	Press Start/Pause
	The program selector is on "stop".	Switch the program selector to a required position.
	The door of the washing machine is not closed.	Close the washing machine door.

ERROR	POSSIBLE CAUSE	TROUBLESHOOTINGU
The washing machine does not fill with water.	The water tap is closed.	Open the tap.
	The water supply hose may be tangled.	Check the supply hose and untangle it.
	The water supply hose is clogged.	Clean the filters of the inlet hose. (*)
	The inlet filter is clogged.	Clean the water supply filters. (*)
	The door of the washing machine is not closed.	Close the washing machine door.
The washing machine does not drain water.	The drain hose is clogged or tangled.	Check the drain hose and then clean or untangle it.
	The pump filter is clogged.	Clean the pump filter. (*)
	The laundry is too pressed together in the drum.	Spread the laundry evenly in the washing machine.
The washing machine vibrates.	The feet were not adjusted.	Adjust the feet. (**)
	The shipping screws have not been removed.	Remove the shipping screws from the washing machine. (**)
	Small load in the drum.	This does not prevent the washing machine from operating.
	The washing machine is overloaded with laundry or the laundry is unevenly distributed.	Do not overload the drum. Spread the laundry evenly in the drum.
	The washing machine is placed on a hard surface.	Do not place the washing machine on a hard surface.
Excessive foam forms in the detergent drawer.	Excessive amount of detergent was used.	Press the Start / Pause button. To stop foaming, dilute one tablespoon of the softener in 1/2 liter of water and pour it into the detergent drawer. After 5–10 minutes press Start/Pause button.
	An unsuitable detergent was used.	Only use detergents made for automatic washing machines in the washing machine.



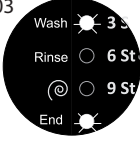
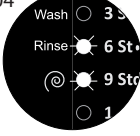
ERROR	POSSIBLE CAUSE	TROUBLESHOOTINGU
Unsatisfactory washing results.	Your laundry is too soiled for the selected program.	Use the information in the program table to select the most suitable program.
	Too little detergent was used.	Use the correct amount of detergent according to the instructions on the package.
	There is too much laundry in the washing machine.	Check that the maximum capacity for the selected program has not been exceeded.
	Hard water.	Increase the amount of detergent according to the manufacturer's instructions.
	The laundry is too pressed together in the drum.	Make sure that the laundry is evenly distributed in the drum.
As soon as the washing machine is filled with water, the water is drained.	The end of the drain hose is too low for the washing machine.	Check that the drain hose is at suitable height. (**).
Water did not appear in the drum during washing.	There is no malfunction. The water is in the part of the drum that is not visible.	-
Detergent residues stick to the laundry.	Insoluble particles in some detergents may appear as white spots on your laundry.	After drying, perform another rinse or clean the laundry with a brush.
Gray stains appear on the laundry.	There is untreated oil, cream or ointment on your laundry.	Use the correct amount of detergent according to the instructions on the package in the next wash.
The spin cycle does not occur or occurs later than expected.	There is no malfunction. The unbalanced load system has been activated.	The unbalanced load control system will try to distribute the laundry evenly in the drum. The spin starts when the laundry is spread. The next time you wash, spread the laundry evenly in the drum.

(\*) See the chapter on maintenance and cleaning of the washing machine.

(\*\*) See the chapter on installing the washing machine.

## Error codes and their solution

The washing machine is equipped with a built-in malfunction detection system. Malfunctions are indicated by a combination of lit operating lights. The most common error codes are listed below.

ERROR CODE	CAUSE	SOLUTION
E01 	The washing machine door is not properly closed.	Close the door properly until you hear a click. If your washing machine still shows a malfunction, switch off the washing machine, unplug it and contact the nearest authorized service center immediately.
E02 	Insufficient water pressure, or low water level inside the washing machine.	Check if the tap is open fully. The water supply may be disconnected. If the problem persists, the washing machine will stop automatically after a while. Disconnect the washing machine, close the water tap and contact the nearest authorized service center.
E03 	Defective pump, clogged pump filter or faulty electrical connection of the pump.	Clean the pump filter. If the problem persists, contact the closest authorized service centre. (* )
E04 	There is an excessive amount of water in the washing machine.	The washing machine drains the water by itself. Once the water has drained, switch off the washing machine and unplug it. Close the water tap and contact the nearest authorized service center.

(\* ) See the chapter on maintenance and cleaning of the washing machine.

## TECHNICAL SPECIFICATIONS

	<b>EWF 1053 MD</b>
Built-in appliance	No
Maximum load capacity (dry laundry) kg	5
Dimensions (H x W x D) [mm]	845 x 597 x 497
Nominal voltage	220 - 240 V ~ 50 Hz
Power input	2100 W
Lid latch	10 A
Water pressure (MPA) MIN/MAX	0,1, MPA/ 1, MPA

## USE AND DISPOSAL OF WASTE

Wrapping paper and corrugated paperboard – deliver to scrapyards. Packing foil, PE bags, plastic elements – throw into plastic recycling containers.

## DISPOSAL OF PRODUCTS AT THE END OF LIFETIME

### **Disposal of electric and electronic equipment (valid in EU member countries and other European countries with an implemented recycling system)**

The represented symbol on the product or package means the product shall not be treated as domestic waste. Hand over the product to the specified location for recycling electric and electronic equipment. Prevent negative impacts on human health and the environment by properly recycling your product. Recycling contributes to preserving natural resources. For more information on the recycling of this product, refer to your local authority, domestic waste processing organization or store, where you purchased the product.



08/05



This product complies with EU directives on electromagnetic compatibility and electrical safety. This product meets the requirements for heavy metals in electrical equipment.

The operating manual is available at [www.ecg-electro.eu](http://www.ecg-electro.eu).  
Changes of text and technical parameters reserved.

## SICHERHEITSHINWEISE

**Bitte aufmerksam lesen und für den künftigen Gebrauch gut aufbewahren!**

Deutsch

**Warnung:** Die in dieser Anleitung aufgeführten Sicherheitsvorkehrungen und Hinweise umfassen nicht alle Umstände und Situationen, zu denen es kommen könnte. Der Anwender muss begreifen, dass der gesunde Menschenverstand, Vorsicht und Sorgfalt zu Faktoren gehören, die sich in kein Produkt einbauen lassen. Diese Faktoren müssen durch den Anwender bzw. mehrere Anwender bei der Verwendung und Bedienung dieses Gerätes gewährleistet werden. Wir haften nicht für Schäden, die durch Transport, eine unsachgemäße Verwendung, Spannungsschwankungen sowie eine Änderung oder Modifikation des Gerätes entstehen.

Befolgen Sie die in dieser Bedienungsanleitung angeführten Hinweise. Lesen Sie vor der Erstanwendung die schriftliche Bedienungsanleitung eingehend durch und bewahren für den künftigen Gebrauch auf.

Um Bränden oder Stromunfällen vorzubeugen, müssen bei der Verwendung von elektrischen Geräten u.a. folgende Vorsichtsmaßnahmen eingehalten werden:

1. Vergewissern Sie sich, dass die Spannung Ihrer Steckdose mit der Spannung auf dem Geräteschild übereinstimmt. Zur Wahrung Ihrer Sicherheit empfehlen wir den Stecker der Stromleitung an eine geerdete dreipolige Steckdose anzuschließen, die gemäß der gültigen nationalen technischen Norm im Einklang mit den Hinweisen des Herstellers sowie den lokalen Sicherheitsvorschriften installiert wurde.
2. Benutzen Sie das Gerät nicht, falls das Stromkabel beschädigt ist. Das Anschließen des Verbrauchers an das Stromnetz, das Anschließen der Wasserleitung, sämtliche Reparaturen, Einrichtungen und das Auswechseln der Stromleitung sollte einem autorisierten Kundendienst anvertraut werden! Demontieren Sie niemals die Schutzabdeckungen des Gerätes. Dies könnte zu einem Stromunfall führen!



3. Netzstecker niemals mit feuchten Händen in die Steckdosen stecken oder aus der Steckdose ziehen. Auf diese Weise beugen Sie einem Stromunfall vor.
4. Verbraucher niemals mit feuchten Händen oder Füßen berühren.
5. Der Netzstecker sollte auch nach der Installation des Gerätes leicht erreichbar sein. Stromkabel niemals verkürzen. Benutzen Sie keine Mehrfachstecker oder Verlängerungskabel. Das Stromkabel darf nicht mit heißen Teilen in Berührung kommen oder über scharfe Kanten führen.
6. Schalten Sie das Gerät nicht durch das Einstecken ggf. Herausziehen des Steckers ein-/aus. Ziehen Sie nicht am Kabel, um den Stecker aus der Steckdose zu ziehen. Ziehen Sie am Stecker, um das Kabel aus der Steckdose zu ziehen. Schalten Sie das Gerät nach der Anwendung mit Hilfe des Drehknopf aus. Versetzen Sie diesen in Position OFF, trennen das Gerät vom Stromnetz und schließen alle Wasserzuleitungen.
7. Waschmaschine nicht auf Teppiche und ähnliche Oberflächen aufstellen, da hierdurch die Ventilationsöffnungen in der Gerätebasis blockiert werden könnten.
8. Stecken Sie keine Gegenstände in die Geräteöffnungen und stellen auf das Gerät keine Gegenstände (z.B. Vasen oder Tassen).
9. Ablaufschlauch niemals in Spülbecken, Eimer oder Waschbecken platzieren.
10. Kinder dürfen nicht mit dem Gerät spielen. Geben Sie Acht, damit Kinder und Tiere nicht in die Nähe der Waschmaschine gelangen.  
**Kinder unter 3 Jahren, die nicht dauerhaft beaufsichtigt sind, sollten sich nicht in der Nähe der Waschmaschine aufhalten.**
11. Kleine Teile, die Sie im Beutel mit der Dokumentation vorfinden, sind außer Reichweite von Kindern aufzubewahren.
12. Stellen Sie das Gerät keiner direkten Sonnenstrahlung oder Regen aus und benutzen es nicht im Freien.
13. In der Nähe des Verbrauchsgerätes sollten keine brennbaren Flüssigkeiten aufbewahrt werden.

14. Waschen Sie in der Waschmaschine keine Kleidung, die mit brennbaren oder explosiven Stoffen (Wachs, Öl, Farbe, Benzin, Entfettungsmittel, chemische Lösungsmittel, Petroleum u.a.) gereinigt, gewaschen, in diese eingeweicht oder mit diesen bespritzt wurde. Es ist verboten leicht entzündliche, explosive und toxische Lösungsmittel zu benutzen. Benutzen Sie kein Benzin, Alkohol u. dgl. als Waschmittel. Es könnte zu einem Brand oder einer Explosion kommen. **Das Waschen von Teppichen ist verboten.**
15. Waschmaschine während des Betriebes nicht mit feuchten Händen berühren. Öffnen Sie niemals während des Waschvorgangs die Waschmittelschublade oder die Waschmaschinentür.
16. Berühren Sie beim Ablassen von Wasser weder Ablaufschlauch noch ablaufendes Wasser. Das Wasser könnte sehr heiß sein.
17. Falls Sie irgendeinen Mangel feststellen, trennen Sie das Verbrauchsgerät vom Stromnetz und schließen den Wasserhahn. Versuchen Sie niemals das Verbrauchsgerät eigenhändig zu reparieren. Wenden Sie sich an eine autorisierte Kundendienststelle.
18. Vergessen Sie nicht vor der Erstverwendung die **TRANSPORTSICHERUNGSSCHRAUBEN DER TROMMEL ZU ENTFERNEN**. Von der Garantie ausgeschlossen sind Schäden, die durch den Betrieb der Waschmaschine mit installierten Transportsicherungsschrauben entstanden sind.
19. Der Verbraucher ist ausschließlich für den Haushaltsgebrauch und das Waschen von Textilstoffen bestimmt. Im Falle einer kommerziellen Anwendung, die zuwider dieser Bedienungsanleitung ist, erlischt jeglicher Garantieanspruch.
20. Diese Waschmaschine ist ausschließlich für den Gebrauch in Innenräumen bestimmt.
21. Installieren Sie den Verbraucher nicht in nassen oder feuchten Räumen oder in Räumen mit explosiven und ätzenden Gasen.
22. Kinder ab 8 Jahren und Personen mit verminderten physischen und mentalen Fähigkeiten sowie mangelnden Erfahrungen und Kenntnissen, können dieses Gerät nur unter Aufsicht benutzen oder nachdem diese über einen gefahrlosen Gebrauch belehrt und

mit möglichen Gefahren bekannt gemacht wurden. Die seitens des Anwenders vorgenommenen Reinigungs- und Wartungsarbeiten dürfen nur Kinder ab 8 Jahren vornehmen, die überdies beaufsichtigt werden. Kinder unter 8 Jahren sind außer Reichweite des Gerätes und Stromkabels zu halten.

23. Eingriffe dürfen ausschließlich an autorisierten Servicestellen durchgeführt werden. Eingriffe durch andere Personen führen zur Nichtanerkennung der Garantie.
24. Von der Garantie ausgeschlossen sind Schäden durch Umwelteinwirkungen (z.B. Hochwasser, Chemikalien, Brand).
25. Der Hersteller haftet nicht für Schäden infolge einer falschen Erdung/Anwendung. **SPANNUNGSGEFAHR, UNFALLGEFAHR!**

## EMPFEHLUNG

- Vor der Anwendung der neuen Waschmaschine sollten Sie einen qualifizierten Installateur oder einen autorisierten Kundenservice zur Hilfe holen, die Ihnen mit der Installation und Inbetriebnahme behilflich sind.
- Installieren Sie die Waschmaschine an einen gut belüfteten Ort mit einer ausreichenden Luftzirkulation. Verbrauchsgerät so aufstellen, damit die Waschmaschinentür vollständig geöffnet werden kann. Es handelt sich um keine Einbauwaschmaschine.
- Die ideale Umgebungstemperatur für den Betrieb der Waschmaschine liegt zwischen 15 °C und 25 °C.
- Eingefrorene Schläuche können Blasen bilden oder reißen. An Orten, an denen die Temperatur unter den Gefrierpunkt fällt, könnte die Umgebungstemperatur die sichere Funktionsweise der Stromkreise gefährden.
- Der erste Waschzyklus sollte ohne Wäsche mit dem Programm „90° weiße Baumwolle“ erfolgen. Geben Sie ½ der Waschmitteldosis in das zweite Fach der Waschmittelschublade.
- Da sich Waschpulver und Weichspüler bei langzeitigem Kontakt mit Luft ablagern könnten, empfehlen wir Waschmittel und Weichspüler kurz vor dem Waschvorgang in die Waschmittelschublade zu geben.
- Das Programm für Vorwäsche sollte nur bei stark verschmutzter Wäsche benutzt werden.
- Die Wäschemenge, die in die Waschmaschine gegeben wird, darf nicht die maximale zulässige Menge überschreiten. Anderenfalls läuft die Waschmaschine im Notbetrieb.
- Waschen Sie nur Wäsche, die laut Herstellermarkierung waschmaschinentauglich ist.
- Befolgen Sie bei Weichspülern und vergleichbaren Waschmitteln die Empfehlungen des jeweiligen Herstellers.
- Vergewissern Sie sich, dass in den Kleidungstaschen frei von fremden Gegenstände sind (z.B. Nägel, Nadeln, Münzen, Feuerzeuge, Streichhölzer oder Haarklammern). Diese Gegenstände könnten die Waschmaschine beschädigen.
- Das Waschen von stark verschmutzten Kleidungsstücken beschädigt die Waschmaschine. Stark verschmutzte Kleidungsstücke sollten vor dem Hineinlegen in die Waschmaschine ausgeschüttelt werden.
- Waschmittelschublade während des Waschvorganges niemals öffnen.
- Waschmaschinentür während des Waschvorganges niemals mit Gewalt öffnen.
- Vergewissern Sie sich vor dem Öffnen der Tür, dass in der Trommel kein Wasser geblieben ist. Sollten Sie Wasser sehen, öffnen Sie die Tür nicht.
- Warten Sie nach Programmende mindestens 2 Minuten, ehe Sie die Tür öffnen.

- Entfärbungsmittel enthalten Schwefel, der Korrosion verursachen könnte. Aus diesem Grund sollten niemals Entfärbungsmittel benutzt werden. Benutzen Sie keine Mittel, die Lösungsmittel enthalten (z.B. Benzin für technische Zwecke).
- Beabsichtigen Sie die Waschmaschine für längere Zeit nicht zu benutzen, trennen Sie die Stromzufuhr, schließen die Wasserzufuhr und öffnen die Tür. Auf diese Weise bleibt der Innenraum der Waschmaschine trocken und frei von Gerüchen.
- Nach dem Testen am Ende des Fertigungsprozesses könnte in der Waschmaschine etwas Wasser zurückbleiben. Dieses stellt jedoch keine Gefahr für die Waschmaschine dar.

### **Auslaufen von Wasser**

- Benutzen Sie das neue Schlauch-Set, das zusammen mit der Waschmaschine geliefert wird.
- Benutzen Sie keine alten Schlauch-Sets.
- Trennen Sie das Gerät nach der jeder Anwendung vom Stromnetz und schließen alle Wasserzuleitungen.
- Ablaufschlauch niemals in Spülbecken, Eimer oder Waschbecken platzieren.

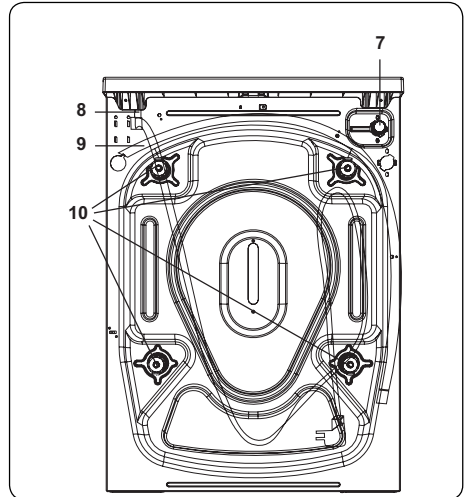
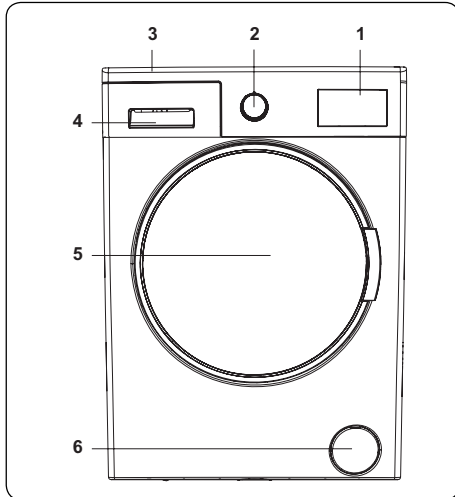
### **Sturz- oder Unfallgefahr**

- Steigen Sie niemals auf die Waschmaschine. Auch ist diese nicht zum Sitzen geeignet. Der Abdeckplatte könnte zerspringen und zu Verletzungen führen.
- Stützen Sie sich niemals an der Tür. Schließen Sie die Tür nicht mit Gewalt. Sollte die Tür nur mühelos zu schließen sein, vergewissern Sie sich, dass sich in der Trommel nicht zu viel Wäsche befindet und diese gut verteilt ist.
- Die Schläuche und das Stromkabel sollten nach der Installation geordnet werden, damit diese keine Verletzungsgefahr darstellen. Mögliches Stolpern oder Stürzen könnte zu Verletzungen führen.
- Waschmaschine niemals umdrehen oder auf die Seite legen.
- Waschmaschine niemals an den herausragenden Teilen heben (Waschmittelschublade, Tür). Diese Teile könnten beschädigt werden und zu Verletzungen führen.
- Mit der Waschmaschine sollten mindestens 2 Personen manipulieren.

### **Sicherheit von Kindern**

- Kinder unter 3 Jahren, die nicht dauerhaft beaufsichtigt werden, sollten sich nicht in der Nähe der Waschmaschine aufhalten. Kinder müssen dauerhaft beaufsichtigt werden, falls Sie sich in der Nähe der Waschmaschine aufhalten. Kinder können im Inneren der Waschmaschine stecken bleiben, was fatale Konsequenzen haben kann.
- Glastür und einige Oberflächen könnten während des Betriebes sehr heiß werden. Schützen Sie Kleinkinder vor dem Anfassen dieser Oberflächen.
- Das Verpackungsmaterial sollte außer Reichweite von Kindern aufbewahrt werden. Es besteht Erstickungsgefahr
- Der Verzehr von Waschmitteln kann zu einer Intoxikation führen. Haut- oder Augenkontakt kann zur Irritation führen. Reinigungsmittel sollten außer Reichweite von Kindern gehalten werden.

## BESCHREIBUNG

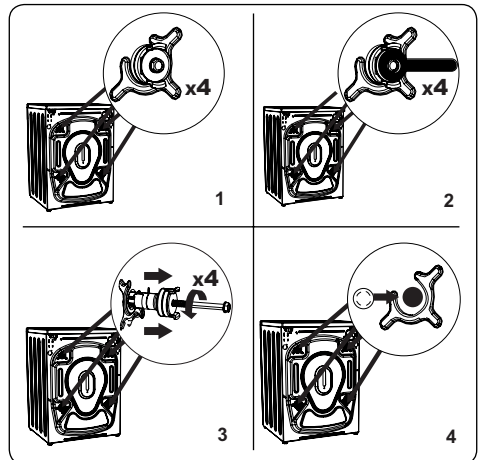


1. Elektronisches Display
2. Drehknopf
3. Obere Abdeckung
4. Waschpulverfach
5. Trommel
6. Abschlussdeckel des Flusensiebs
7. Einlassventil
8. Stromkabel
9. Abflussschlauch
10. Transportsicherungsschrauben

## INSTALLATION

### Entfernen von Transportsicherungsschrauben

1. Ehe Sie die Waschmaschine in Betrieb nehmen, entfernen Sie auf der Hinterseite die 4 Transportsicherungsschrauben samt Gummunterlagen. Falls die Schrauben nicht entfernt werden, können sie zu starken Vibrationen, Lärm und einer falschen Funktionsweise der Waschmaschine führen. Was zum Erlöschen des Garantieanspruchs führt.
2. Lösen Sie die Transportsicherungsschrauben mit Hilfe eines passenden Schlüssels durch Drehen entgegengesetzt dem Uhrzeigersinn.
3. Ziehen Sie die Transportsicherungsschrauben heraus.
4. Legen Sie die Kunststoff-Stopfen, die im Beutel mit dem Zubehör mitgeliefert wurden, in die Öffnungen, die nach dem Entfernen der

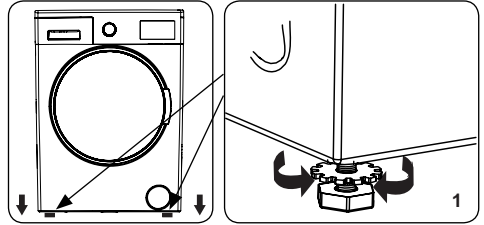


Transportsicherungsschrauben entstanden sind. Die Transportsicherungsschrauben sollten für den künftigen Gebrauch aufbewahrt werden.

**Bemerkung:** Entfernen Sie vor der Erstverwendung die Transportsicherungsschrauben. Auf Störungen, die auf den Betrieb mit den Transportsicherungsschrauben zurückzuführen sind, bezieht sich keine Garantie.

## Einstellung der Ausgleichfüße / Einstellung von Anschlägen

1. Installieren Sie die Waschmaschine auf keine Oberfläche (z.B. Teppich), welche die Luftströmung von unten behindern würde.
  - Um einen leisen Betrieb ohne Vibrationen zu gewährleisten, empfehlen wir die Waschmaschine auf eine feste Oberfläche zu stellen.
  - Gleichen Sie die Waschmaschine mit den einstellbaren Füßen aus.
  - Lösen Sie die Kunststoffmutter.
2. Falls Sie die Waschmaschine erhöhen möchten, drehen Sie mit dem Fuß im Uhrzeigersinn. Falls Sie die Waschmaschinenhöhe reduzieren möchten, drehen Sie mit dem Fuß entgegengesetzt dem Uhrzeigersinn.
  - Sobald die Waschmaschine waagrecht steht, drehen Sie die Sicherungsschrauben im Uhrzeigersinn nach.
3. Legen Sie unter die Waschmaschine keine Pappe, Holz und ähnliches Material.
  - Seien Sie beim Kehren und Wischen den Fußbodens vorsichtig, damit Sie die waagerechte Position der Waschmaschine nicht beeinträchtigen.



## Elektroanschluss

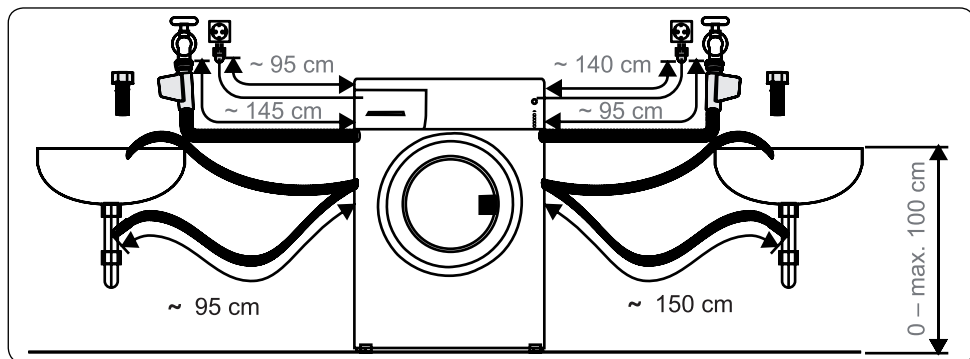
- Die Waschmaschine arbeitet bei einer Netzspannung von 220 –240 V, 50 Hz.
- Das Stromkabel der Waschmaschine kommt mit einem geerdeten Stecker. Dieser Stecker gehört in eine geerdete Steckdose (10 A).
- Falls Sie keine passende Steckdose und eine geerdete Sicherung haben, wenden Sie sich an einen qualifizierten Elektromonteur.
- Wir haften nicht für Schäden, die auf das Anschließen an eine nicht geerdete Steckdose zurückzuführen sind.

**Bemerkung:** Wird die Waschmaschine bei niedriger Spannung betrieben, kann Lebensdauer verkürzen sowie Leistung einschränken.

## Zuleitungsschlauch

1. In Abhängigkeit von der Spezifikation der Waschmaschine, kann diese an die Kaltwasserzuleitung oder an die Kalt- und Warmwasserzuleitung angeschlossen werden. Der Schlauch mit dem weißen Verschluss sollte an die Kaltwasserzuleitung und der Schlauch mit dem roten Verschluss an die Warmwasserzuleitung (soweit verfügbar) angeschlossen werden.
  - Damit kein Wasser zu den Anschlussstellen gelangt, werden zum Schlauch 1 oder 2 Muttern mitgeliefert (jeweils abhängig vom Waschmaschinentyp). Setzen Sie diese Muttern an das Ende des Zulaufschlauchs der Wasserzuleitung an.
2. Schließen Sie die neuen Zulaufschläuche an den Wasserhahn mit  $\frac{3}{4}$  " Gewinde an.
  - Schließen Sie das weiße Ende des Zulaufschlauchs an das weiße Zulaufventil auf der Rückseite an. Das rote Schlauchende ist an das rote Zulaufventil (soweit vorhanden) anzuschließen.
  - Ziehen Sie die Anschlussstellen manuell nach. Sollten Sie Zweifel haben, wenden Sie sich an einen qualifizierten Installateur.
  - Der Wasserumlauf mit einem Druck von 0,1 - 1, MPA ermöglicht ihrer Waschmaschine mit einem optimalen Wirkungsgrad zu arbeiten (der Druck 0,1, MPA bedeutet, dass über den vollständig geöffneten Wasserhahn mehr als 8 Liter Wasser pro Minute durchfließt).

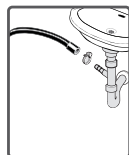
3. Sobald die Waschmaschine komplett angeschlossen ist, öffnen Sie die Wasserzuleitung und überprüfen die Dichtigkeit.
  4. Sorgen Sie dafür, dass die neuen Zuleitungsschläuche nicht eingeklemmt, geknickt, verdreht, gebogen oder zerknittert sind.
- Falls Ihre Waschmaschine an die Warmwasserzuleitung angeschlossen ist, sollte die Temperatur des zulaufenden Wassers nicht 70 °C überschreiten.



**Bemerkung:** Die Waschmaschine muss an die Wasserzuleitung mit dem mitgelieferten Schlauch angeschlossen werden. Alte Schläuche dürfen nicht benutzt werden.

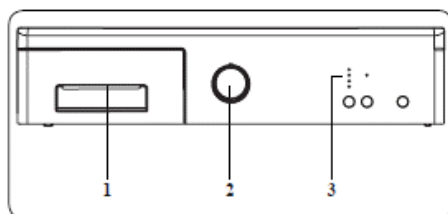
### Anschließen des Wasserabflusses

- Schließen Sie den Ablaufschlauch an den Ständer oder das Kniestück des Waschbeckens an.
- Versuchen Sie nicht den Ablaufschlauch zu verlängern.
- Geben Sie den Ablaufschlauch nicht in einen Behälter, einen Eimer oder die Badewanne.
- Vergewissern Sie sich, dass der Ablaufschlauch nicht gebogen, geknickt, zerknittert oder verlängert ist.
- Der Ablaufschlauch ist in maximal 100 cm Höhe vom Boden zu installieren.



### BEDIENFELD

1. Waschpulverfach
2. Drehknopf
3. Elektronisches Display und zusätzliche Funktionen



## Waschpulverfach

1. Die Trennwand für Flüssigwaschmittel sorgt für ein gleichmäßiges Dosieren beim Waschen.
2. Waschpulverfach
3. Weichspülerfach
4. Waschpulverfach für Vorwäsche

## Abteile

### Waschpulverfach:

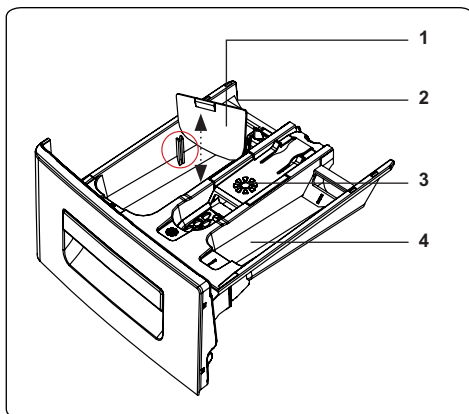
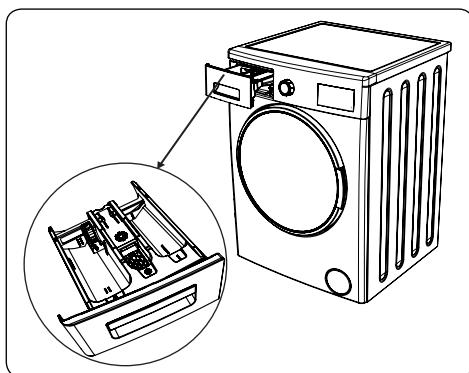
Dieses Abteil ist für Flüssig- und Pulverwaschmittel oder Kalkentferner bestimmt.

### Weichspüler, Stärke, Waschmittel:

Dieses Abteil ist für Weichspüler oder Stärke bestimmt. Befolgen Sie die an der Verpackung angeführten Informationen. Sollten Weichspüler an der Wäsche Spuren hinterlassen, verdünnen Sie diese oder benutzen flüssige Weichspüler.

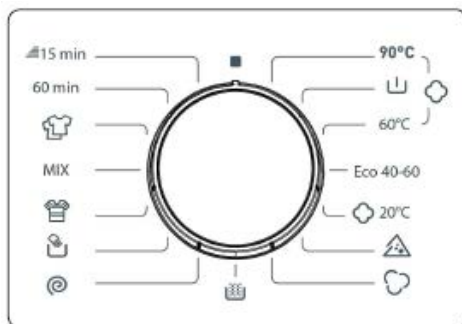
### Waschmittelfach für Vorwäsche:

Dieses Fach sollten Sie benutzen, falls Sie die Vorwäsche-Funktion ausgewählt haben. Wir empfehlen die Vorwäsche-Funktion nur bei stark verschmutzter Wäsche zu benutzen.



## Drehknopf

- Drehen Sie mit dem Drehknopf im Uhrzeigersinn/entgegengesetzt dem Uhrzeigersinn, um das gewünschte Programm auszuwählen. Die Markierung am Drehknopf muss aus das gewünschte Programm zeigen.
- Vergewissern Sie sich, dass der Drehknopf wirklich auf das gewünschte Programm zeigt.



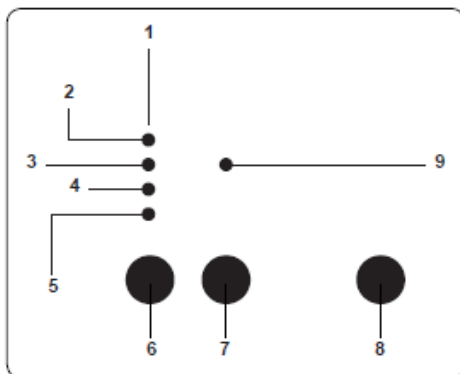


## Elektronisches Display

1. Bedienfeld mit Display
2. Betriebsanzeige (Waschvorgang)
3. Anzeige für Spülen
4. Anzeige für Schleudern
5. Anzeige für Programmende
6. Zusatzfunktion für verzögerten Start
7. Zusatzfunktion für Kurzprogramm
8. Taste START/PAUSE
9. Anzeige für Zusatzfunktion - Kurzprogramm

Auf dem Display werden Timer mit verzögerten Start (sofern dieser eingestellt wurde), Temperatur, alle ausgewählten Zusatzfunktionen und die aktuelle Programmphase (Vorwäsche / Waschgang - Schleudern - Wringen) angezeigt.

Am Ende des ausgewählten Programms wird auf dem Display END (ENDE) angezeigt. Das Display zeigt auch eventuelle Störungen der Waschmaschine an.



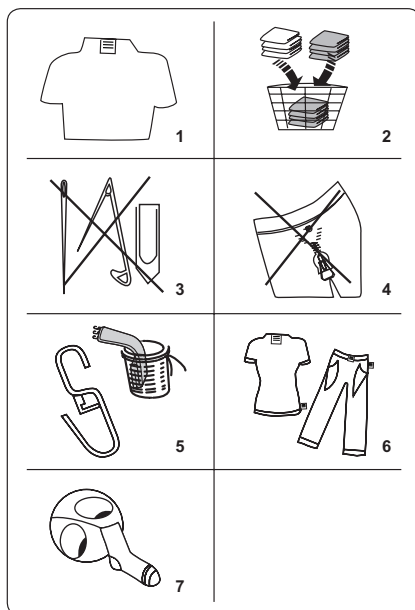
## VERWENDUNG DER WASCHMASCHINE

### Vorbereitung der Wäsche








1. Befolgen Sie die Hinweise auf den Kleideretiketten.
- Sortieren Sie die Wäsche nach Wäschetyp (Baumwolle, synthetischen Fasern, feines Wäsche, Wolle u.a.), Waschtemperatur (kalt, 30°, 40°, 60°, 90°) und Verschmutzungsgrad (leicht verschmutzt, verschmutzt, stark verschmutzt).
2. Waschen Sie niemals bunte und weiße Wäsche zusammen.
- Dunkle Wäsche kann überschüssigen Farbstoff enthalten und sollte mehrmals separat gewaschen werden.
3. Vergewissern Sie sich, dass sich in der Wäsche oder in den Taschen keine metallischen Gegenstände befinden; falls ja, entfernen Sie diese.

**ACHTUNG:** Die Garantie bezieht sich nicht auf Störungen, die auf eine Beschädigung durch Fremdstoffe zurückzuführen ist.

4. Schließen Sie Reißverschlüsse, alle Haken und Patentknöpfe.
5. Entfernen Sie sämtliche Gardinenhaken aus Metall oder Kunststoff oder waschen diese in einem geschlossenem Wäschebeutel.
6. Drehen Sie die Kleidung vor dem Waschen auf links (Hosen, Gestricktes, T-Shirts und Sweatshirts).
7. Socken, Taschentücher und sonstige kleine Wäsche sollten im Wäschebeutel gewaschen werden.



## Symbole auf den Kleideretiketten

 Normales Waschprogramm	 Maximale Waschtemperatur 90 °C	 Maximale Waschtemperatur 60 °C
 Maximale Waschtemperatur 30 °C	 Handwäsche	 Nicht in der Waschmaschine waschen
 Bleichen	 Nicht bleichen	 Bügeltemperatur max. 110 °C
 Bügeltemperatur max. 150 °C	 Bügeltemperatur max. 200 °C	 Nicht bügeln
 Chemische Reinigung	 Nicht chemisch reinigen	 Flächenweise aufteilen
 Nass aufhängen	 Nass Aufhängen	 Nicht in der Trockenmaschine trocknen
 Reinigung mit Benzin, Alkohol und Trifluortrichlorethan möglich	 Reinigung mit Benzin und Perchlorethylen möglich	 Reinigung mit Perchlorethylen, R11, R113 und Benzin möglich

## Wäsche in die Waschmaschine geben

- Waschmaschinentür öffnen.
- Wäsche gleichmäßig in der Waschmaschine verteilen.

**BEMERKUNG:** Überschreiten Sie nicht die maximale Wäscheladung der Trommel, was zu schlechten Waschergebnissen und dem Zerknittern der Wäsche führen kann. Informationen über die Waschmaschinenkapazität sind der Tabelle mit einzelnen Waschprogrammen zu entnehmen.

Die folgende Tabelle gibt das ungefähre Gewicht einzelner Kleidungsstücke an:

WÄSCHETYP	GEWICHT (g)
Handtuch	200
Bettwäsche	500
Bademantel	1.200
Bettdecke	700
Kissenbezug	200
Unterwäsche	100
Tischdecke	250

- Legen Sie jedes Kleidungsstück separat ein.
- Vergewissern Sie sich, dass in der Gummidichtung keine Gegenstände eingefangen sind.
- Drücken Sie etwas an die Tür, bis diese zuklappt.
- Vergewissern Sie sich, dass die Tür gut geschlossen ist. Anderenfalls wird das Programm nicht gestartet.

## Dosieren des Waschmittels

Die Menge des dosierten Waschmittels hängt von den folgenden Kriterien ab:

- Leicht verschmutzte Wäsche sollte ohne Vorwäsche gewaschen werden. Geben Sie ein wenig Waschmittel (gemäß Angaben des Herstellers) in das Abteil II der Waschmittelschublade.
- Sollte die Wäsche stark verschmutzt sein, wählen Sie ein Programm mit Vorwäsche aus und geben  $\frac{1}{4}$  des Waschmittels in das Abteil I und das restliche Waschmittel in das Abteil II der Waschmittelschublade.
- Benutzen Sie Waschmittel, die für automatische Waschmaschinen bestimmt sind. Befolgen Sie die Hinweise des Waschmittelherstellers bezüglich der richtigen Dosierung des Waschmittels.
- In Regionen mit hartem Wasser sollte mehr Waschmittel dosiert werden.
- Die Waschmittelmenge wächst mit der Wäschemenge.
- Geben Sie etwas Weichspüler in das Waschmittelfach. Überschreiten Sie nicht die MAX-Markierung.
- Dickflüssige Weichspüler können das Waschmittelfach verstopfen und sollten daher verdünnt werden.
- Flüssigwaschmittel können in allen Programmen ohne Vorwäsche benutzt werden. Benutzen Sie hierfür die Dosierhilfe für Flüssigwaschmittel, die Sie in das Abteil II des Waschmittelfachs einschieben. Richten Sie sich nach den Strichen auf der Dosierhilfe, um die richtige Menge des Flüssigwaschmittels zu bestimmen.

## Bedienung der Waschmaschine

1. Waschmaschine an das Stromnetz anschließen.
  2. Wasserzuleitung öffnen.
- Waschmaschinentür öffnen.
  - Wäsche gleichmäßig in der Waschmaschine verteilen.
  - Tür leicht drücken, bis diese zuklappt.

## Programmwahl

Benutzen Sie die Tabelle mit Programmen und wählen das beste Programm für Ihre Wäsche aus.

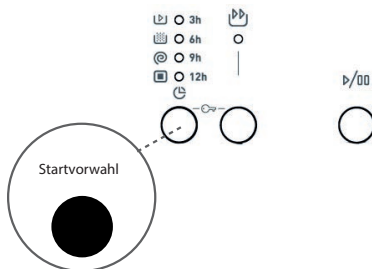
## Detektion von halber Wäscheladung

Ihre Waschmaschine kommt mit einer Detektion der halben Wäscheladung.

Falls Sie in die Waschmaschine weniger als die Hälfte der maximalen Wäschemenge geben, wird automatisch die Funktion der halben Wäscheladung unabhängig von dem ausgewählten Programm aktiviert. Das bedeutet, dass das Waschprogramm kürzere Zeit läuft und weniger Wasser und Strom verbraucht.

## Timer für verzögerten Start

- Drücken Sie einmal die Taste für verzögerten Start.
- Die Anzeige "3h" leuchtet auf.
- Drücken Sie mehrmals die Taste für verzögerter Start, bis die Anzeige mit der gewünschten Einstellung aufleuchtet (3, 6, 9 oder 12 Stunden).
- Haben Sie die gewünschte Zeit für den verzögerten Start versehentlich übersprungen, fahren Sie mit der Taste für verzögerten Start fort, bis die gewünschte Zeit wieder angezeigt wird.
- Aktivieren Sie die ausgewählte Zeit mit einer beliebigen Tasten für zusätzliche Funktionen (ausgenommen von der Taste Start/Pause).
- Starten Sie den Countdown für verzögerten Start mit der Taste START/PAUSE.
- Falls Sie die Funktion für verzögerten Start widerrufen möchten, drücken Sie einmal die Taste für verzögerten Start. Die Anzeige für verzögerten Start erlischt.



- Falls Sie Wäsche während der aktiven Funktion für verzögerten Start hinzufügen / entnehmen möchten, drücken Sie die Taste Start / Pause. Nachdem die Wäsche hinzugefügt / entnommen wurde, muss erneut die Taste Start / Pause gedrückt werden, damit die Funktion aktiviert wird.

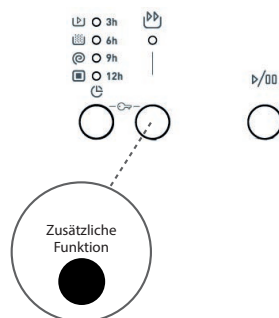
## Kurzprogramm: Zusatzfunktion

Mit dieser Funktion kann die Wäsche binnen kurzer Zeit gewaschen werden, was weniger Strom und Wasser verbraucht.

Diese Funktion sollte nur dann ausgewählt werden, falls Sie weniger als die Hälfte der maximalen trockenen Wäschemenge waschen möchten.

Wählen Sie die Funktion mit der Taste Kurzprogramm aus. Die Anzeige für Kurzprogramm leuchtet auf.

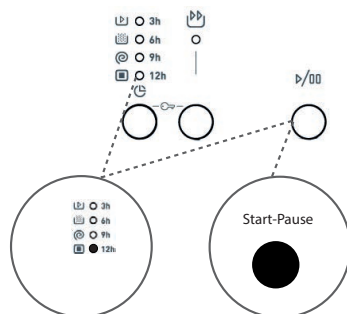
**BEMERKUNG:** Falls Sie in die Waschmaschine weniger als die Hälfte der maximalen Wäschemenge geben, wird automatisch die Funktion der halben Wäscheladung unabhängig von dem ausgewählten Programm aktiviert. Das bedeutet, dass das Waschprogramm kürzere Zeit läuft und weniger Wasser und Strom verbraucht. Stellt Ihre Waschmaschine eine halbe Wäscheladung fest, wird auf dem Display automatisch das Symbol für das Kurzprogramm angezeigt.



## Taste Start/Pause

Falls Sie das ausgewählte Programm starten möchten, drücken Sie Start / Pause.

Die Betriebsanzeige (Waschvorgang) leuchtet auf.



## Kindersicherung

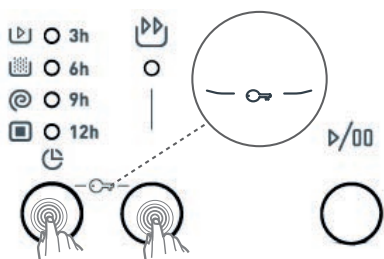
Mit der Kindersicherung können Tasten gesperrt werden, damit das ausgewählte Waschprogramm nicht versehentlich geändert wird.

Falls Sie die Kindersicherung aktivieren möchten, drücken und halten Sie für mindestens 3 Sekunden die Tasten mit Zusatzfunktionen, siehe Bild. Bei aktiver Kindersicherung leuchtet im Bedienfeld die Anzeige mit der jeweiligen Zusatzfunktion.

Falls Sie bei aktiver Kindersicherung eine beliebige Taste drücken oder mit dem Drehknopf bewegen, beginnt für auf dem Display die Anzeige für die Zusatzfunktion zu blinken.

Falls der Waschvorgang bereits im Gange und die Kindersicherung aktiviert ist und Sie das Programm dennoch ändern möchten, indem Sie den Drehknopf in Position „0“ versetzen und anschließend das gewünschte Programm auswählen, wird der aktuelle Waschvorgang ohne Änderung fortgesetzt.

Falls Sie die Kindersicherung deaktivieren möchten, drücken und halten Sie für mindestens 3 Sekunden die Tasten mit Zusatzfunktionen.



## Programm widerrufen

**Das ausgewählte Programm kann jederzeit widerrufen werden:**








1. Versetzen Sie den Drehknopf in Position „0“.
2. Die Waschmaschine stoppt und das Programm wird widerrufen.
3. Falls Sie mit dem Drehknopf ein anderes Programm auswählen, wird das Wasser aus der Waschmaschine ausgelassen.
4. Die Waschmaschine lässt das Wasser aus, danach wird das Programm widerrufen.  
Wählen Sie jetzt ein neues Programm aus.

## Programmende

Die Waschmaschine stoppt, sobald das ausgewählte Programm zu Ende gelaufen ist.

- Auf dem Bedienfeld leuchtet die Anzeige für Programmende.
- Öffnen Sie die Waschmaschinentür und nehmen die Wäsche heraus.
- Lassen Sie die Waschmaschinentür geöffnet, damit das Innere der Trommel gut trocknet.
- Versetzen Sie den Drehknopf in Position „0“.
- Trennen Sie die Waschmaschine vom Stromnetz.
- Sperren Sie die Wasserzufuhr.

## PROGRAMMTABELLE

Programm	Temperatur (°C)	Maximale Wäscheladung für trockene Wäsche (kg)	Fach	Länge (Minuten)	Wäschetyp / Beschreibung
BAUMWOLLE 90°	90	5,0	2	176	Stark verschmutzte Baumwoll- und Leinenwäsche. (Unterwäsche, Bettwäsche, Tischdecken, Handtücher (maximal 2,5 kg) etc.)
Vorwäsche – Baumwolle	60	5,0	1+2	156	Verschmutzte Baumwolle und Leinentextil. (Unterwäsche, Bettwäsche, Tischdecken, Handtücher (maximal 2,5 kg) etc.)
BAUMWOLLE 60 °C	60	5,0	2	190	Verschmutzte Baumwolle und Leinentextil. (Unterwäsche, Bettwäsche, Tischdecken, Handtücher (maximal 2,5 kg) etc.)
ECO 40-60	40	5,0	2	180	Verschmutzte Baumwolle und Leinenwäsche. (Unterwäsche, Bettwäsche, Tischdecken, Handtücher (maximal 2,5 kg) etc.)
BAUMWOLLE 20 °C	20	2,5	2	96	Weniger verschmutzte Baumwoll- und Leinenwäsche. (Unterwäsche, Bettwäsche, Tischdecken, Handtücher (max. 2 kg), etc.)
Kunstfasern 	40	3,0	2	110	Stark verschmutzte Wäsche oder Wäsche mit Kunstfasern. (Nylonstrümpfe, T-Shirts, Blusen, Mischung aus synthetischen Stoffen etc.)
WOLLE 	30	2,0	2	39	Wollwäsche mit einer Kleidungsetikette, der zu entnehmen ist, dass das Kleidungsstück in der Waschmaschine gewaschen werden kann.
SPÜLEN 	--	5,0	--	36	Weiteres Spülen irgendeines Kleidungsstyps nach dem Waschen.
AUSWRINGEN 	--	5,0	--	15	Weiteres Auswringen irgendeines Kleidungsstyps nach dem Waschen.
FEINWÄSCHE / HANDWÄSCHE 	30	2,0	2	90	Wäsche, die in der Hand gewaschen werden sollte, oder Feinwäsche.
BUNTWÄSCHE 40 °C 	40	3,0	2	180	Weniger verschmutzte Baumwoll- und Leinenwäsche. (Unterwäsche, Bettwäsche, Tischdecken, Handtücher (max. 2 kg), etc.)
MISCHWÄSCHE	30	3,0	2	81	Verschmutzte Baumwoll-, Bunt- und Leinenwäsche oder Wäsche mit Kunstfasern, die zusammen gewaschen werden kann.
BLUSEN / HEMDEN 	60	3,0	2	107	Verschmutzte Baumwolle, Kunstfasern und synthetische Mischungen, T-Shirts, Blusen, die zusammen gewaschen werden können.

Programm	Temperatur (°C)	Maximale Wäscheladung für trockene Wäsche (kg)	Fach	Länge (Minuten)	Wäschetyp / Beschreibung
KURZPROGRAMM 60 min.	60	2,0	2	60	Verschmutzte Baumwoll-, Bunt- und Leinenwäsche gewaschen bei 60 °C für 60 Minuten.
KURZPROGRAMM 15 min.*	30	2,0	2	15	Leicht verschmutzte Baumwoll-, Leinen- und Buntwäsche.

\* Angesichts des kurzen Waschvorgangs empfehlen wir weniger Waschmittel zu benutzen. Falls die Waschmaschine eine ungleichmäßige Beladung detektiert, kann das Programm länger als 15 Minuten dauern. Sie können die Waschmaschinentür nach 2 Minuten nach Programmende öffnen. (Diese 2 Minuten wurden nicht zum Waschvorgang hinzugerechnet).

**BEMERKUNG:** DIE PROGRAMMLÄNGE HÄNGT VON WÄSCHEMENGE, WASSERTYP, UMGEBUNGSTEMPERATUR UND DEN AUSGEWÄHLTEN ZUSATZFUNKTIONEN AUS.

- Falls Sie in die Waschmaschine 2 kg Wäsche oder weniger geben, startet ein automatischer Zyklus, der nur 30 Minuten dauert.
- Angesichts des kurzen Waschvorgangs empfehlen wir weniger Waschmittel zu benutzen. Falls die Waschmaschine eine ungleichmäßige Beladung detektiert, kann das Programm länger als 15 Minuten dauern. Sie können die Waschmaschinentür nach 2 Minuten nach Programmende öffnen. (Diese 2 Minuten wurden nicht zum Waschvorgang hinzugerechnet).
- Nach der Verordnung 1015/2010 und 1061/2010 ist das Programm 3 mit den wählbaren Temperaturen ein „Standardmäßiges Programm für Baumwolle bei 60 °C“ und ein „Standardmäßiges Programm für Baumwolle bei 40 °C“.
- Das Programm Eco 40–60 kann im demselben Zyklus normal verschmutzte Baumwollwäsche bei einer empfohlenen Temperatur von 40 °C oder 60 °C reinigen. Dieses Programm wird zur Begutachtung im Einklang mit den Rechtsvorschriften der EU über das Ecodesign benutzt.
- Die meist wirkungsvollen Programme, was den Stromverbrauch betrifft, sind diejenigen Programme, die längere Zeit bei niedrigeren Temperaturen waschen.
- Das Beladen der Waschmaschine gemäß vom Hersteller angeführten Kapazität im Rahmen einzelner Programme spart Strom und Wasser.
- Programmlänge, Strom- und Wasserverbrauch variieren in Abhängigkeit von Gewicht und Typ der Beladung, den ausgewählten Zusatzfunktionen, dem Wassertyp und der Umgebungstemperatur.
- Bei Waschprogrammen, die bei niedriger Temperatur waschen, sollten Flüssigwaschmittel benutzt werden. Die Waschmittelmenge hängt von der Wäscheladung und dem Verschmutzungsgrad ab. Befolgen Sie die vom Hersteller des Waschmittels angegebenen Informationen bezüglich der zu dosierenden Waschmittelmenge.
- Die Schleuderdrehzahl reduziert/erhöht den Lärmpegel und beeinflusst die Restfeuchtigkeit. Je höher die Schleuderdrehzahl desto größerer Lärm und weniger Restfeuchtigkeit.
- Zugang zur Produktdatenbank, der die Informationen über das jeweilige Modell zu entnehmen sind, erhalten Sie nach dem Einlesen des QR-Codes auf dem Energielabel.

## Wichtige Informationen

- Benutzen Sie nur Waschmittel, Weichspüler und Zubehör, die für automatische Waschmaschinen geeignet sind. Bei überschüssigem Schaum wird das System für die automatische Absorption von Schaum aktiviert, denn es wurde zu viel Waschmittel benutzt.
- Wir empfehlen die Waschmaschine alle 2 Monate zu reinigen. Benutzen Sie hierfür das Programm Drum Clean (Reinigung der Trommel). Sollte Ihre Waschmaschine das Programm Drum Clean nicht haben, benutzen Sie das Programm Cotton 90. Benutzen Sie je nach Bedarf geeignete Kalkentferner, die speziell für Waschmaschinen bestimmt sind.
- Öffnen Sie niemals die Tür während eines laufenden Waschzyklus. Sie können die Waschmaschinentür nach 2 Minuten nach Programmende öffnen.

- Die Installation und Reinigung sollte stets ein Vertreter einer autorisierten Kundendienststelle durchführen, um möglichen Risiken vorzubeugen. Der Hersteller haftet nicht für Schäden, die auf die Arbeit von unbefugten Personen zurückzuführen sind.

## REINIGUNG UND INSTANDHALTUNG

### Warnung

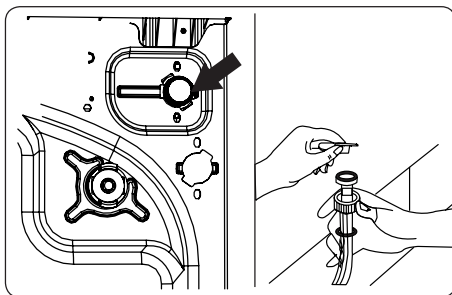
**Ehe Sie mit der Wartung und Reinigung beginnen, schalten Sie den Verbraucher aus und trennen diesen vom Stromnetz. Schließen Sie auch die Wasserzufuhr, ehe Sie mit der Wartung und Reinigung beginnen. Verwenden Sie zur Reinigung der Waschmaschine keine Lösungsmittel, abrasive Reinigungsmittel, Reinigungsmittel für Glas oder universelle Reinigungsmittel. Die darin enthaltenen Chemikalien können die Kunststofffläche des Verbrauchers und andere Komponente beschädigen.**

### Filter für Wasserzulauf

Die am Wasserzulauf angebrachten Filter beugen dem Eindringen von Schmutz und fremden Stoffen in die Waschmaschine vor.

Wir raten die Filter zu reinigen, sobald in die Waschmaschine unzureichend Wasser strömt, obgleich die Wasserzuleitung und der Wasserhahn offen sind. Wir raten die Filter am Wasserzulauf alle 2 Monate zu reinigen.

- Schrauben Sie den Zulaufschlauch ab.
- Falls Sie den Filter aus dem Einlassventil herausnehmen möchten, benutzen Sie eine lange Zange und entfernen vorsichtig das Kunststoffstäbchen vom Filter.
- Der zweite Wasserzulauf-Filter befindet sich am Ende des Zulaufschlauchs, der in den Wasserhahn führt. Falls Sie den zweiten Filter herausnehmen möchten, benutzen Sie eine lange Zange und entnehmen vorsichtig das Kunststoffstäbchen vom Filter.
- Reinigen Sie den Filter mit einer weichen Bürste, waschen mit Seifenwasser ab und spülen gut ab. Drücken Sie den Filter leicht auf seinen Platz zurück.



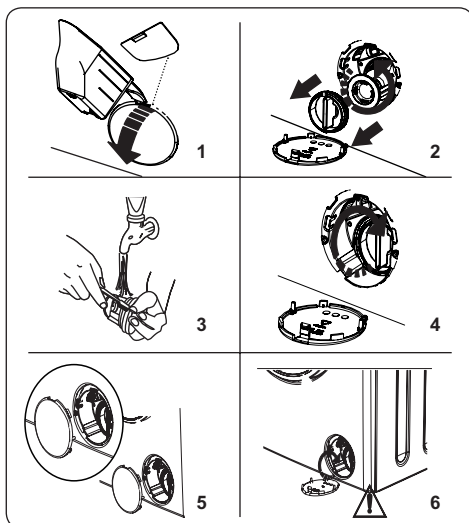
**ACHTUNG:** Die Filter am Zulaufventil können sich aufgrund einer niedrigen Wasserqualität oder mangelnden Wartung verstopfen und beschädigen. Dies kann zur Wasserleckage führen. Auf solche Störungen bezieht sich keine Garantie.

## Pumpenfilter

Das Filtersystem der Pumpe verlängert die Lebensdauer der Pumpe, indem es die Waschmaschine vor dem Eindringen von Schmutz schützt. Wir raten den Pumpenfilter alle 2 Monate zu reinigen. Der Pumpenfilter befindet sich hinter der Abdeckung in der vorderen unteren Ecke.

Reinigung des Pumpenfilters:

1. Öffnen Sie die Abdeckung. Die können die Dosierhilfe für Flüssigwaschmittel benutzen (siehe Bild).
2. Schieben Sie das Ende des Waschmitteldosierers oder der Dosierhilfe in die Öffnung der Abdeckung und drücken ein wenig nach hinten. Die Abdeckung öffnet sich.
3. Platzieren Sie vor dem Öffnen der Abdeckung einen Behälter unter den Filter, der das ganze Restwasser auffängt.
4. Drehen Sie den Filter im Uhrzeigersinn und ziehen diesen allmählich heraus. Warten Sie, bis das Wasser ausgelaufen ist.



**BEMERKUNG:** Der Wasserbehälter muss womöglich mehrmals geleert werden, was von der Wassermenge in der Waschmaschine abhängt.

5. Benutzen Sie eine weiche Bürste und entfernen vom Filter sämtliche Fremdstoffe.
6. Sobald der Filter gereinigt ist, geben Sie diesen zurück auf seinen Platz und fixieren, indem Sie diesen entgegengesetzt dem Uhrzeigersinn drehen.
7. Vergewissern Sie sich beim Schließen der Abdeckung, dass die Halterungen innerhalb der Abdeckung am Vorderpaneel anliegen.
8. Schließen Sie die Abdeckung des Filters.

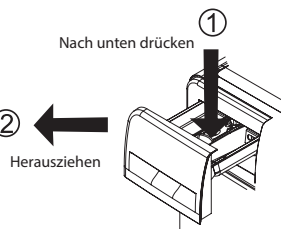
**WARNUNG:** Das Wasser in der Pumpe kann heiß sein, warten Sie, bis dieses abkühlt.

## Waschpulverfach

Mit der Zeit lagern sich in der Waschmittelschublade Waschmittelreste ab. Wir raten die Waschmittelschublade alle zwei Monate herauszunehmen und zu reinigen.

Herausnehmen der Waschmittelschublade:

- Ziehen Sie die Waschmittelschublade nach vorne, bis diese völlig **②** ausgezogen ist.
- Drücken Sie leicht auf die Waschmittelschublade (siehe Bild unten) und ziehen diese heraus.
- Reinigen Sie die Waschmittelschublade mit Wasser und einer weichen Bürste.
- Entfernen Sie sämtlichen Schmutz in der Waschmittelschublade mit der weichen Bürste. Achten Sie darauf, dass kein verbleibender Schmutz in die Waschmaschine gelangt.
- Trocknen Sie die Waschmittelschublade und geben zurück auf ihren Platz.
- **Die Waschmittelschublade darf nicht im Geschirrspüler gewaschen werden.**

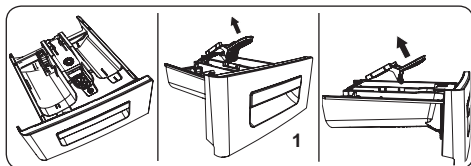




## Spülstopfen / Körper / Trommel

### 1. Spülstopfen

Nehmen Sie die Waschmittelschublade heraus und demontieren den Spülstopfen. Entfernen Sie alle Weichspülerreste. Geben Sie den Spülstopfen zurück auf seinen Platz und vergewissern sich, dass dieser richtig angebracht ist.



### 2. Körper

Benutzen Sie zur Reinigung der äußeren Fläche ein feines nicht abrasives Reinigungsmittel oder Seife und Wasser. Wischen Sie die Fläche mit einem weichen Tuch ab.

### 3. Trommel

Vergessen Sie in der Waschmaschine keine Gegenstände aus Metall wie Nadeln, Büroklammern, Münzen u.a. Diese Gegenstände führen zur Rostbildung innerhalb der Trommel. Benutzen Sie zur Reinigung von Rost ein Reinigungsmittel ohne Chlor und befolgen die Anweisungen des Herstellers. Benutzen Sie niemals zur Reinigung einen Drahtschwamm und ähnliche harte Gegenstände.

## PROBLEMBEHEBUNG

Die Reparatur der Waschmaschine sollte einem autorisierten Kundendienst anvertraut werden. Im Falle einer notwendigen Reparatur der Waschmaschine oder falls Sie das Problem mit Hilfe der nachstehenden Ratschläge nicht beheben können, sollten Sie:

- Die Waschmaschine vom Stromnetz trennen.
- Die Wasserzuleitung schließen.

FEHLER	MÖGLICHE URSACHE	PROBLEMBEHEBUNG
Die Waschmaschine schaltet sich nicht ein.	Die Waschmaschine ist nicht an das Stromnetz angeschlossen.	Schließen Sie die Waschmaschine an das Stromnetz an.
	Die Sicherungen sind defekt.	Wechseln Sie die Sicherung aus.
	Keine Stromversorgung.	Überprüfen Sie die Stromversorgung.
	Die Taste Start/Pause wurde nicht gedrückt.	Drücken Sie die Taste Start/Pause
	Position des Drehknopfs „Stop“.	Versetzen Sie den Drehknopf in gewünschte Position.
	Die Waschmaschinentür ist nicht völlig geschlossen.	Schließen Sie die Waschmaschinentür.
Die Waschmaschine lässt kein Wasser ein.	Der Wasserhahn ist geschlossen.	Öffnen Sie den Wasserhahn.
	Der Zulaufschlauch könnte verdreht sein.	Überprüfen Sie den Zulaufschlauch und wickeln auseinander.
	Der Zulaufschlauch ist verstopft.	Filter am Zuleitungsschlauch reinigen. (*)
	Der Zulauffilter ist verstopft.	Reinigen Sie den Filter am Wasserzulauf. (*)
	Die Waschmaschinentür ist nicht völlig geschlossen.	Schließen Sie die Waschmaschinentür.

FEHLER	MÖGLICHE URSACHE	PROBLEMBEHEBUNG
Wasser läuft nicht ab.	Der Ablaufschlauch ist verstopft und verdreht.	Überprüfen Sie den Ablaufschlauch und reinigen oder wickeln diese auseinander.
	Der Pumpenfilter ist verstopft.	Flusensieb reinigen. (*)
	Die Wäsche ist in der Trommel zu dicht aneinandergedrückt.	Verteilen Sie die Wäsche gleichmäßig in der Waschmaschine.
Waschmaschine vibriert.	Die Füße wurden nicht eingestellt.	Stellen Sie die Füße ein. (**)
	Die Transportsicherungsschrauben wurden nicht entfernt.	Entfernen Sie die Transportsicherungsschrauben. (**)
	Zu wenige beladene Trommel.	Stört den Betrieb der Waschmaschine nicht.
	Die Waschmaschine ist überbelastet oder die Wäsche ist nicht gleichmäßig verteilt.	Überlasten Sie nicht die Trommel. Verteilen Sie die Wäsche gleichmäßig in der Trommel.
	Die Waschmaschine steht auf einer harten Oberfläche.	Platzieren Sie die Waschmaschine nicht auf eine harte Oberfläche.
In der Waschmittelschublade bildet sich zu viel Schaum.	Sie haben zu viel Waschmittel benutzt.	Drücken Sie die Taste Start/Pause, falls Sie die Schaumbildung stoppen möchten, geben Sie eine Esslöffel Weichspüler in 1/2 Liter Wasser und geben in die Waschmittelschublade. Nach 5-10 Minuten Taste Start/Pause drücken.
	Sie haben ein ungeeignetes Waschmittel benutzt.	Benutzen Sie nur Waschmittel, die für automatische Waschmaschinen bestimmt sind.
Unbefriedigende Waschergebnisse.	Ihre Wäsche ist für das jeweilige Waschprogramm zu stark verschmutzt.	Wählen Sie mit Hilfe der Tabelle das passende Programm aus.
	Sie haben zu wenig Waschmittel benutzt.	Befolgen Sie die Hinweise auf der Verpackung, um die richtige Dosiermenge des Waschmittels zu bestimmen.
	Zu viel Wäsche in der Waschmaschine.	Vergewissern Sie sich, ob nicht die maximale Kapazität für das jeweilige Programm überschritten wurde.
	Hartes Wasser.	Erhöhen Sie die Dosiermenge des Waschmittels gemäß Anweisungen des Herstellers.
	Die Wäsche ist in der Trommel zu dicht aneinandergedrückt.	Vergewissern Sie sich, dass die Wäsche in der Trommel gleichmäßig verteilt ist.
Sobald Wasser eingelassen wird, wird diese wieder ausgelassen.	Das Ende des Ablaufschlauches ist zu niedrig.	Überprüfen Sie die Höhe des Ablaufschlauches. (**).



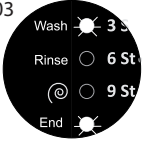
FEHLER	MÖGLICHE URSACHE	PROBLEMBEHEBUNG
Beim Waschen war kein Wasser zu sehen.	Kein Fehler. Das Wasser befindet sich im denjenigen Teil der Trommel, wo es nicht sichtbar ist.	-
Auf der Wäsche bleiben Waschmittelreste.	Nicht aufgelöste Partikel einiger Waschmittel können weiße Flecken auf der Kleidung verursachen.	Geben Sie nach dem Trocknen einen weiteren Schleuderzyklus hinzu oder reinigen die Kleidung mit einer Bürste.
Graue Flecken auf der Wäsche.	Auf Ihrer Kleidung befinden sich unbehandeltes Öl, Creme oder Salbe.	Befolgen Sie beim nächsten Waschen die Hinweise auf der Verpackung, um die richtige Dosiermenge des Waschmittels zu bestimmen.
Der Schleuderzyklus erfolgte nicht oder folgte später als erwartet.	Kein Fehler. Das System für unausgeglichene Beladung wurde aktiviert.	Das System zur Kontrolle einer unausgeglichene Beladung bemüht sich darum, die Wäsche gleichmäßig in der Trommel zu verteilen. Das Schleudern beginnt, sobald die Wäsche verteilt wird. Vergewissern Sie sich, dass die Wäsche beim nächsten Waschen gleichmäßig in der Trommel verteilt ist.

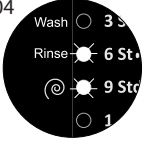
(\*) Siehe Kapitel über die Instandhaltung und Reinigung der Waschmaschine.

(\*\*) Siehe Kapitel über die Installation der Waschmaschine.

## Fehlercodes und deren Behebung

Die Waschmaschine kommt mit einem integrierten Fehlerdetektionssystem. Die Störungen werden durch eine Kombination leuchtender Betriebsanzeigen indiziert. Weiter unten finden Sie die häufigsten Fehlercodes.

FEHLERCODE	URSACHE	PROBLEMBEHEBUNG
E01 	Die Waschmaschinentür ist nicht richtig geschlossen.	Schließen Sie die Waschmaschinentür, bis Sie in Zuklappen hören. Falls Ihre Waschmaschine einen Fehler anzeigt, schalten Sie die Waschmaschine aus, trennen diese vom Stromnetz und kontaktieren die nächstliegende Kundendienststelle.
E02 	Niedriger Wasserdruck oder niedriger Wasserpegel innerhalb der Waschmaschine.	Überprüfen Sie, ob der Wasserhahn völlig geöffnet ist. Die Wasserzuleitung könnte getrennt sein. Sollte das Problem überdauern, stoppt die Waschmaschinen binnen kurzer Zeit von alleine. Trennen Sie die Waschmaschine vom Stromnetz, schließen den Wasserhahn und kontaktieren die nächstliegende Kundendienststelle.
E03 	Defekte Pumpe, verstopfter Pumpenfilter oder defekte Elektroinstallation der Pumpe.	Flusensieb reinigen. Sollte das Problem überdauern, wenden Sie sich an die nächstliegende autorisierte Kundendienststelle. (*)

FEHLERCODE	URSACHE	PROBLEMBEHEBUNG
E04 	In der Waschmaschine befindet sich zu viel Wassere.	Die Waschmaschine pumpt das Wasser selber aus. Sobald das Wasser ausgelassen ist, trennen Sie die Waschmaschine vom Stromnetz. Schließen Sie den Wasserhahn und kontaktieren die nächstliegende Kundendienststelle.

(\*) Siehe Kapitel über die Instandhaltung und Reinigung der Waschmaschine.

## TECHNISCHE ANGABEN

	<b>EFW 1053 MD</b>
Einbaugerät	Nein
Maximale Beladungskapazität (trockene Wäsche) kg	5
Ausmaße (B x H x T) [mm]	845 x 597 x 497
Nennspannung	220-240 V ~ 50 Hz
Anschlusswert	2100 W
Sicherung	10 A
Wasserdruck (MPa) MIN/MAX	0,1, MPA/ 1, MPA

## VERWERTUNG UND ENTSORGUNG VON ABFALL

Verpackungspapier und Wellenpappe an einer Sammelstelle abgeben. Verpackungsfolie, PET-Beutel und Kunststoffteile gehören in Sammelcontainer für Kunststoff.

## ENTSORGUNG DES PRODUKTES NACH ABLAUF DER LEBENSDAUER

### Entsorgung von gebrauchten elektrischen und elektronischen Geräten (gültig in den Mitgliedsländern der EU und anderen europäischen Ländern, in denen das Abfalltrennungssystem eingeführt ist)

Das abgebildete Symbol auf dem Produkt oder auf der Verpackung weist darauf hin, dass das Produkt nicht in den Hausmüll gehört. Das Produkt sollte an einem Ort abgegeben werden, der für die Wiederverwertung von elektrischen und elektronischen Geräten bestimmt ist. Eine richtige Entsorgung des Produktes beugt negativen Einflüssen auf die menschliche Gesundheit und die Umwelt vor. Die Wiederverwertung trägt zum Schutz der Naturressourcen bei. Weitere Informationen über die Wiederverwertung des Produktes erhalten Sie über das Gemeindeamt, eine Organisation, die sich mit der Behandlung von Hausmüll befasst, oder die Verkaufsstelle, an der das Produkt erworben wurde.



08/05

Dieses Produkt erfüllt sämtliche Anforderungen der EU-Richtlinien über die elektromagnetische Kompatibilität und elektrische Sicherheit. Dieses Produkt erfüllt sämtliche Anforderungen bezüglich der Problematik von Schwermetallen, die in Elektrogeräten enthalten sind.



Die Bedienungsanleitung ist der Website [www.ecg-electro.eu](http://www.ecg-electro.eu) entnehmen. Änderungen des Textes und der technischen Parameter sind vorbehalten.

# BEZPEČNOSTNÍ POKYNY

## Čtěte pozorně a uschovejte pro budoucí potřebu!

**Varování:** Bezpečnostní opatření a pokyny uvedené v tomto návodu nezahrnují všechny možné podmínky a situace, ke kterým může dojít. Uživatel musí pochopit, že faktorem, který nelze zabudovat do žádného z výrobků, je zdravý rozum, opatrnost a péče. Tyto faktory tedy musí být zajištěny uživatelem/uživateli používajícími a obsluhujícími toto zařízení. Neodpovídáme za škody způsobené během přepravy, nesprávným používáním, kolísáním napětí nebo změnou či úpravou jakékoliv části zařízení.

Dodržujte pokyny obsažené v tomto návodě. Před prvním použitím si celý písemný návod důkladně prostudujte a uchovejte pro další potřebu. Aby nedošlo ke vzniku požáru nebo k úrazu elektrickým proudem, měla by být při používání elektrických zařízení vždy dodržována základní opatření, včetně těch následujících:

1. Ujistěte se, že napětí ve vaší zásuvce odpovídá napětí uvedenému na štítku zařízení. Pro zajištění své bezpečnosti vidlici napájecího vodiče vkládejte do řádně uzemněné trojpólové zásuvky instalované podle platné elektrotechnické normy ČSN v souladu s pokyny výrobce a místními bezpečnostními předpisy.
2. Nepoužívejte přístroj, pokud je přívodní kabel poškozen. Zapojení spotřebiče do elektrické sítě a připojení vody, veškeré opravy nebo seřízení včetně výměny napájecího přívodu svěřte autorizovanému servisu! Nedemontujte ochranné kryty zařízení, hrozí nebezpečí úrazu elektrickým proudem!
3. Přívodní kabel nezapojujte a nevypojujte ze zásuvky vlhkýma rukama. Předejdete tak riziku úrazu elektrickým proudem.
4. Spotřebiče se nedotýkejte vlhkýma rukama nebo nohama.
5. Po instalaci přístroje musí vidlice napájecího přívodu zůstat snadno dostupná. Kabel nezkracujte a nepoužívejte rozdkvojky nebo prodlužovací šňůry. Napájecí přívod se nesmí dotýkat horkých částí ani vést přes ostré hrany.

6. Přístroj nezapínejte a nevypínejte zasunutím nebo vytažením vidlice napájecího přívodu. Vidlici nevytahujte ze zásuvky taháním za kabel. Kabel odpojte ze zásuvky uchopením za vidlici. Po ukončení používání vždy vypněte pomocí otočného voliče do polohy OFF, odpojte spotřebič od napájení a uzavřete přítok vody.
7. Pračku nestavte na koberce a podobné povrchy, které by mohly blokovat ventilační otvory v základně.
8. Nikdy nic nezasouvejte do otvorů přístroje, na přístroj nepokládejte žádné předměty (např. vázy, hrnky apod.).
9. Vypouštěcí hadici vaší pračky neumísťujte do dřezu, vědra nebo umyvadla.
10. Nedovolte dětem, aby si se zařízením hrály. Chraňte přístup k pračce před dětmi nebo zvířaty. **Dětem mladším 3 let by mělo být zabráněno v přístupu, pokud nejsou trvale pod dozorem.**
11. Malé součásti, které naleznete v sáčku s dokumentací, uložte mimo dosah dětí.
12. Zařízení nevystavujte přímému slunečnímu záření, nepoužívejte venku a nevystavujte dešti.
13. V blízkosti spotřebiče nenechávejte hořlavé tekutiny.
14. Neperte v pračce věci, které byly čištěné, umyté, namáčené nebo potřísněné hořlavými nebo výbušnými látkami (vosk, olej, barva, benzín, odmašťovače, chemická rozpouštědla, petroleje atd). Je zakázané používání snadno zápalných a výbušných nebo toxických rozpouštědel. Nepoužívejte benzín, alkohol aj. jako prací prostředky. Mohlo dojít k požáru nebo výbuchu. **Praní koberců je zakázané.**
15. Nedotýkejte se pračky vlhkýma rukama, pokud je spuštěná. Nikdy během praní a odstředování neotevírejte zásuvku na prací prostředek nebo dvířka pračky.
16. Během vypouštění se nedotýkejte vypouštěcí hadice a vypouštěné vody. Voda může při provozu pračky dosáhnout vysokých teplot.
17. V případě jakékoli závady spotřebič nejprve odpojte od napájení a poté zavřete vodovodní kohoutek. Nepokoušejte se spotřebič opravit vlastními silami, obraťte se na autorizovaný servis.

18. Před prvním použitím nezapomeňte **ODSTRANIT ARETAČNÍ ŠROUBY** zajišťující buben pračky během přepravy. Na poškození způsobené spuštěním pračky s instalovanými aretačními šrouby se záruka nevztahuje.
19. Spotřebič je určen výhradně pro domácí použití a na praní pouze textilních materiálů. V případě komerčního použití nebo použití, které není v souladu s tímto manuálem, pozbývá záruka platnosti.
20. Tato pračka je určena výlučně k používání ve vnitřních prostorech.
21. Spotřebič neinstalujte ve mokřích a vlhkých místnostech, také rovněž v místnostech, ve kterých se vyskytují výbušné nebo žíravé plyny.
22. Tento spotřebič mohou používat děti ve věku 8 let a starší a osoby se sníženými fyzickými či mentálními schopnostmi nebo nedostatkem zkušeností a znalostí, pokud jsou pod dozorem nebo byly poučeny o používání spotřebiče bezpečným způsobem a rozumí případným nebezpečím. Čištění a údržbu prováděnou uživatelem nesmějí provádět děti, pokud nejsou starší 8 let a pod dozorem. Děti mladší 8 let se musí držet mimo dosah spotřebiče a jeho přívodu.
23. Jakýkoli zásah do spotřebiče jinou osobou než pracovníkem autorizovaného servisu má za následek ztrátu záruky.
24. Záruka se nevztahuje na poškození způsobené vnějšími vlivy (povodeň, chemikálie, požár apod.).
25. Výrobce nenesе žádnou odpovědnost za škody vzniklé nesprávným uzemněním/použitím. **NEBEZPEČNÉ NAPĚTÍ, RIZIKO ÚRAZU!**

## DOPORUČENÍ

- Než začnete svou novou automatickou pračku používat, požádejte o pomoc s instalací a uvedením do provozu kvalifikovaného instalátéra nebo autorizovaný servis.
- Pračku instalujte na dobře větrané místo s dostatečnou cirkulací vzduchu. Spotřebič umístěte tak, aby bylo možné dvířka pračky kompletně otevřít. Pračka není určená do vestaveb a nábytkových sestav.
- Ideální okolní teplota pro provoz pračky je 15 °C až 25 °C.
- Zmrzlé hadice mohou zpuchřít a prasknout. V oblastech, kde teplota klesá pod bod mrazu, může okolní teplota ohrozit bezpečný provoz elektronických obvodů.
- První prací cyklus doporučujeme absolvovat bez prádla na program „90° bílá bavlna“ tak, že do zásuvky pracího prostředku nasypete do druhé přihrádky ½ odměrky pracího prostředku.
- Jelikož při dlouhodobém kontaktu se vzduchem může docházet k usazování pracího prášku nebo aviváže, dávkujte do zásuvky prací prostředek a aviváž až těsně před zamýšleným praním.
- Program s předpírkou doporučujeme používat pouze pro silně znečištěné prádlo.

- Množství prádla vloženého do pračky nesmí překročit maximální povolené množství. V opačném případě poběží pračka v nouzovém režimu.
- Pračku používejte pouze pro prádlo, které je výrobcem označeno jako vhodné pro praní v pračce.
- Při používání aviváže a podobných přípravků ve vaší pračce dodržujte doporučení výrobce pracího prášku/aviváže.
- Ujistěte se, že se v kapsách prádla vkládaného do pračky nenacházejí cizí předměty (hřebíky, jehly, mince, zapalovače, zápalky, sponky a podobně). Tyto cizí předměty by mohly pračku poškodit.
- Praní silně zaprášených oděvů poškozuje vaši pračku. Silně zaprášené oděvy před vložením do pračky vyklepejte.
- Nikdy neotevírejte zásuvku pracího prostředku za chodu spotřebiče.
- Za chodu nikdy neotevírejte násilím dvířka pračky.
- Před otevřením dvířek zkontrolujte, zda v dubnu nezůstala voda. Jestliže je vidět vodu, dvířka pračky neotvírejte.
- Po ukončení programu vyčkejte alespoň 2 minuty a poté dvířka otevřete.
- Síra obsažená v odbarvovačích může způsobovat korozi. Z tohoto důvodu v pračce nikdy nepoužívejte odbarvovače. V pračce nikdy nepoužívejte látky obsahující rozpouštědla (např. technický benzín).
- Pokud nebudete pračku delší dobu používat, odpojte ji od sítě, zavřete přívod vody a nechejte dvířka otevřená. Vnitřní prostor pračky tak zůstane suchý a bez nežádoucího zápachu.
- Po testování na konci výrobního procesu mohlo v pračce zůstat malé množství vody, které však nepředstavuje riziko poškození vaší pračky.

## Nebezpečí vyplavení

- Používejte nový komplet hadic dodávaný spolu se spotřebičem
- Nepoužívejte opakovaně starý komplet hadic.
- Po ukončení používání vždy odpojte spotřebič od napájení a uzavřete přítok vody.
- Vypouštěcí hadici vaší pračky neumistujte do dřezu, vědra nebo umyvadla.

## Nebezpečí pádu nebo úrazu

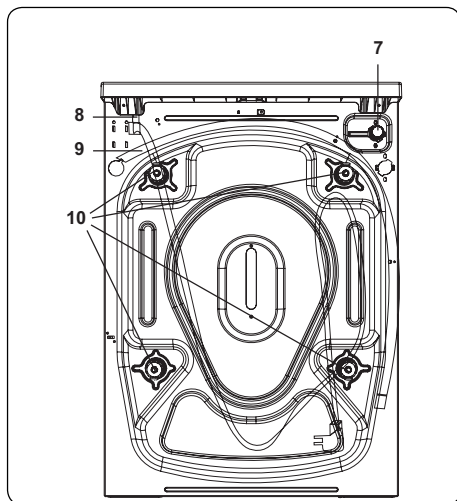
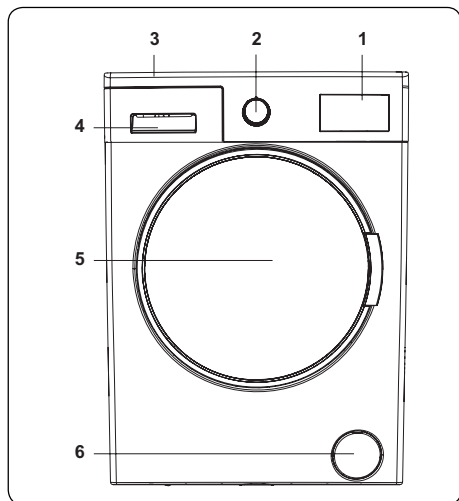
- Na pračku nestoupejte ani nesedejte. Vrchní deska by mohla prasknout a mohli byste se zranit.
- Neopírejte se o dvířka. Nezavírejte je násilím. Je-li zavírání dvířek obtížné, zkontrolujte, zda se v pračce nenachází příliš mnoho oděvů, nebo zda jsou dobře rozmístěné.
- Po instalaci uspořádejte bezpečně hadice a přívodní šňůru. Zakopnutí a pád mohou být příčinou úrazu.
- Pračku neobracejte vzhůru nohama nebo na bok.
- Pračku nezvedejte za vyčnívající části (zásuvka pracího prostředku, dvířka). Mohlo by dojít k jejich poškození a úrazu.
- Manipulace s pračkou vyžaduje součinnost alespoň dvou osob.

## Bezpečnost dětí

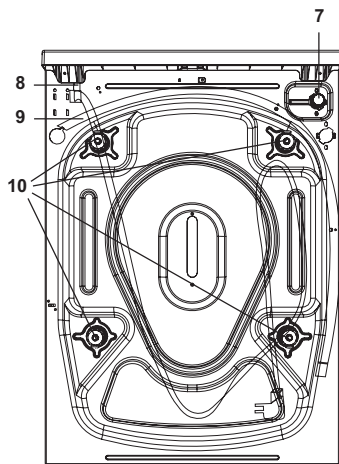
- Dětem mladším 3 let by mělo být zabráněno v přístupu, pokud nejsou trvale pod dozorem. Nenechávejte děti bez dozoru v blízkosti pračky. Děti by se mohly uzavřít uvnitř pračky s fatálními následky.
- Během provozu mohou být skleněná dvířka a povrchy pračky velmi horké. Chraňte malé děti a zvířata před dotykem s těmito povrchy.
- Obalové materiály uložte mimo dosah dětí. Hrozí riziko udušení
- Požití pracích prostředků může způsobit otravu a kontakt s pokožkou nebo očima může způsobit podráždění. Čisticí prostředky držte mimo dosah dětí.



## POPIS



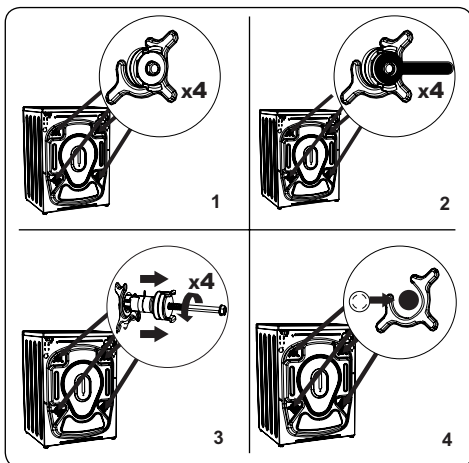
1. Elektronický displej
2. Volič programů
3. Horní kryt
4. Příhrádka na prací prášek
5. Buben
6. Kryt filtru čerpadla



## INSTALACE

### Odstranění přepravních šroubů

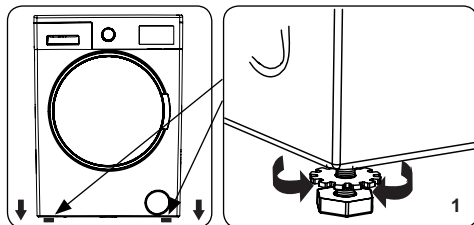
1. Než pračku uvedete do provozu, odstraňte z její zadní části 4 přepravní šrouby a pryžové podložky. Pokud šrouby nebudou odstraněny, mohou způsobit silné vibrace, hluk a nesprávnou funkci pračky a vést ke ztrátě záruky.
2. Povolte přepravní šrouby otočením proti směru hodinových ručiček pomocí vhodného klíče.
3. Vyměňte přepravní šrouby přímým vytažením.
4. Vložte plastové záslepky dodané v sáčku s příslušenstvím do otvorů, které zůstaly po odstranění přepravních šroubů. Přepravní šrouby by měly být uschovány pro budoucí použití.



**Poznámka:** Před prvním použitím pračky odstraňte přepravní šrouby. Na poruchy vzniklé v důsledku provozu pračky s namontovanými přepravními šrouby se záruka nevztahuje.

## Nastavení vyrovnávacích nožiček / nastavení nastavitelných zarážek

1. Neinstalujte pračku na povrch (např. koberec), který by bránil větrání zespodu.
- Abyste zajistili tichý provoz bez vibrací, nainstalujte ji na pevný povrch.
- Pračku můžete vyrovnat pomocí nastavitelných nožiček.
- Povolte plastovou pojistnou matici.
2. Chcete-li zvýšit výšku pračky, otočte nožičky ve směru hodinových ručiček. Chcete-li snížit výšku pračky, otočte nožičky proti směru hodinových ručiček.
- Jakmile je pračka ve vodorovné poloze, utáhněte pojistné matice otočením ve směru hodinových ručiček.
3. Nikdy nepodkládejte pračku lepenkou, dřevem ani jinými podobnými materiály.
- Při zametání a mytí podlahy, na které je pračka umístěna, dávejte pozor, aby nedošlo k narušení vodorovné polohy pračky.



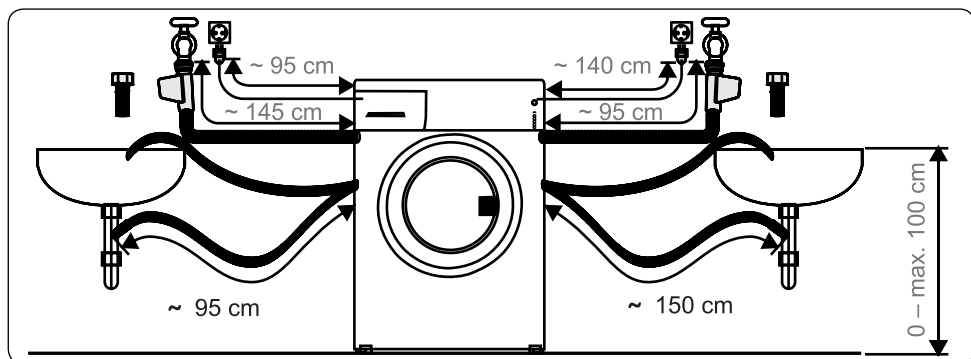
## Elektrické zapojení

- Pračka vyžaduje síťové napájení 220–240 V, 50 Hz.
- Napájecí kabel vaší pračky je vybaven uzemněnou zástrčkou. Tato zástrčka by měla být vždy zasunuta do uzemněné zásuvky 10 A.
- Pokud nemáte vhodnou zásuvku a uzemněnou pojistku, obraťte se na kvalifikovaného elektrikáře.
- Neodpovídáme za škody, které vzniknou v důsledku připojení spotřebiče k neuzemněné zásuvce.

**Poznámka:** Provoz pračky při nízkém napětím vede ke zkrácení životnosti a omezení výkonu.

## Hadice pro přívod vody

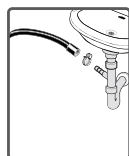
1. V závislosti na specifikacích pračky může být vaše pračka připojena k přívodu studené vody nebo k přívodu studené a teplé vody. Hadice s bílým uzávěrem by měla být připojena k přívodu studené vody a hadice s červeným uzávěrem k přívodu horké vody (pokud je k dispozici).
- Aby nedocházelo k úniku vody do spojů, je v balení s hadicí dodávána 1 nebo 2 matice (v závislosti na modelu vaší pračky). Tyto matice nasadte na konec přívodní hadice, která se připojuje k přívodu vody.
2. Připojte nové přívodní hadice k vodovodnímu kohoutku se závitem  $\frac{3}{4}$  ".
- Připojte bílý konec přívodní hadice k bílému přívodnímu ventilu na zadní straně pračky a červený konec hadice k červenému přívodnímu ventilu (je-li použit).
- Ručně utáhněte spoje. V případě pochybností se obraťte na kvalifikovaného instalatéra.
- Průtok vody s tlakem 0,1 – 1, MPA umožní vaší pračce pracovat s optimální účinností (tlak 0,1, MPA znamená, že přes plně otevřený kohoutek proteče více než 8 litrů vody za minutu).
3. Jakmile provedete všechna připojení, zapněte přívod vody a pečlivě zkontrolujte těsnost.
4. Zajistěte, aby nové hadice pro přívod vody nebyly přiskřípnuté, zalomené, zkroucené, přehnuté nebo zmačkané.
- Pokud je vaše pračka připojena k přívodu horké vody, neměla by být teplota přívodu horké vody vyšší než 70 °C.



**Poznámka:** Pračka musí být připojena k přívodu vody pouze pomocí dodané nové přívodní hadice. Staré hadice nesmí být znovu použity.

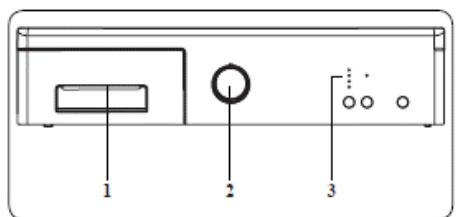
### Zapojení odtoku vody

- Připojte odtokovou hadici ke stojanu nebo k výstupnímu kolenu u umyvadla pomocí dalšího vybavení.
- Nikdy se nepokoušejte vypouštěcí hadici prodloužit.
- Hadici pro vypouštění vody z pračky nevkládejte do nádoby, kbelíku ani vany.
- Ujistěte se, že hadice pro vypouštění vody není ohnutá, přehnutá, zmáčknutá ani prodloužená.
- Vypouštěcí hadice se smí nacházet nanejvýš 100 cm od země.



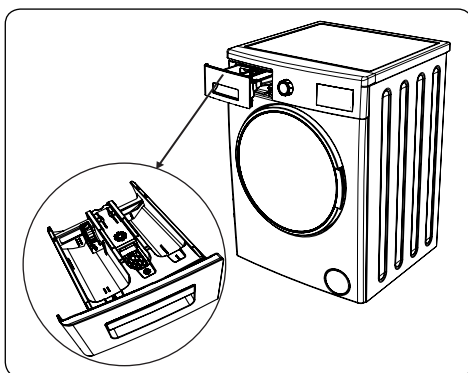
### PŘEHLED OVLÁDACÍHO PANELU

1. Příhrádka na prací prášek
2. Volič programů
3. Elektronický displej a doplňkové funkce



## Příhrádka na prací prášek

1. Přepážka na tekutý prací prostředek zajistí jeho rovnoměrné dávkování během praní.
2. Zásobník na prací prášek
3. Zásobník na aviváž
4. Zásobník na prací prášek pro předpírku



## Oddíly

### Zásobník na prací prášek:

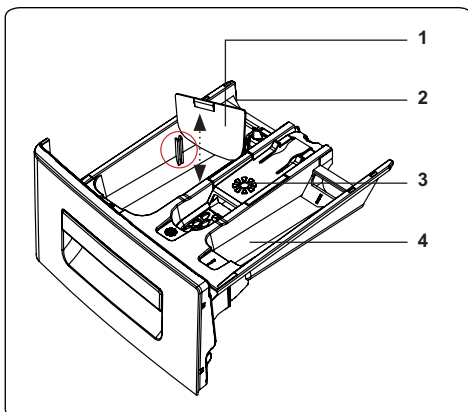
Tento oddíl je určen pro tekuté nebo práškové prací prostředky nebo odstraňovač vodního kamene.

### Aviváž, škrab, prací prostředek:

Tento oddíl je určen pro změkčovadla, aviváže nebo škrab. Postupujte podle pokynů na obalu. Pokud změkčovadla po použití zanechají na prádle stopy, zkuste je zředit nebo použít tekuté změkčovadlo.

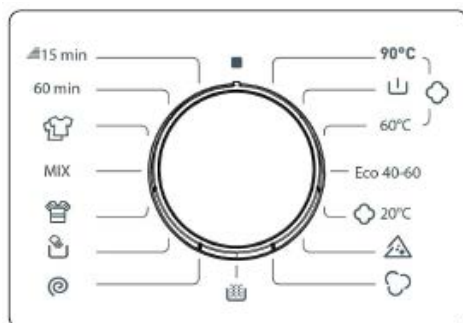
### Zásobník na prací prostředek pro předpírku:

Tento zásobník byste měli používat, pouze pokud jste vybrali funkci předpírky. Doporučujeme používat funkci předpírky pouze pro velmi špinavé prádlo.



## Volič programů

- Pro výběr požadovaného programu otáčejte voličem programů ve směru nebo proti směru hodinových ručiček, dokud značka na voliči programů neukáže na vybraný program.
- Zkontrolujte, zda je volič programů přesně na program, který chcete vybrat.

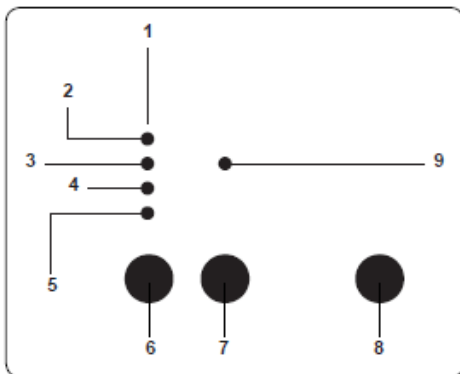


## Elektronický displej

1. Panel s displejem
2. Indikátor provozu (praní)
3. Indikátor máchání
4. Indikátor ždímání
5. Indikátor dokončení programu
6. Tlačítko doplňkové funkce odloženého startu
7. Tlačítko doplňkové funkce rychlé praní
8. Tlačítko START/PAUZA
9. Kontrolka doplňkové funkce – rychlé praní

Na displeji se zobrazí časovač odloženého startu (pokud je nastaven), teplota, všechny doplňkové funkce, které jste vybrali, a aktuální fáze spuštěného programu (předpírka / praní - máchání - ždímání).

Po dokončení vybraného programu se na displeji zobrazí END (KONEC). Displej také ukazuje, zda došlo k poruše pračky.



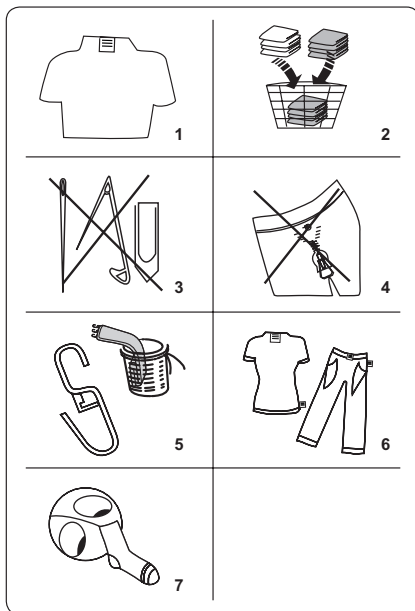
## POUŽITÍ PRAČKY

### Příprava prádla

1. Postupujte podle pokynů uvedených na štítcích na oděvu.
  - Rozdělte prádlo podle typu (bavlna, syntetika, jemné, vlna atd.), teploty praní (studená, 30°, 40°, 60°, 90°) a míry znečištění (mírně znečištěné, znečištěné, silně znečištěné).
2. Nikdy neperte barevné a bílé prádlo dohromady.
  - Tmavé látky mohou obsahovat přebytečné barvivo a měly byste je několikrát vyprat samostatně.
3. Ujistěte se, že na prádle nebo v kapsách nejsou kovové předměty; pokud ano, odstraňte je.

**POZOR:** Záruka se nevztahuje na poruchy, ke kterým dojde v důsledku poškození cizím materiálem.

4. Zapněte zipy, všechny háčky a očka.
5. Odstraňte kovové nebo plastové háčky záclon nebo je vložte do prací sítěky nebo sáčku.
6. Obráťte naruby textilie, jako jsou kalhoty, úplety, trička a mikiny.
7. Ponožky, kapesníky a jiné drobné prádlo perte v ochranné síťce.



## Symbole péče o oděv

 Normální praní	 Maximální teplota praní je 90 °C	 Maximální teplota praní je 60 °C
 Maximální teplota praní je 30 °C	 Ruční praní	 Zákaz praní
 Lze bělit	 Nebělit	 Teplota žehlení je maximálně 110 °C
 Teplota žehlení je maximálně 150 °C	 Teplota žehlení je maximálně 200 °C	 Nežehlit
 Lze chemicky čistit	 Zákaz chemického čištění	 Rozložte na plocho
 Pověsit za mokra	 Sušit pověšením	 Nesušit v bubnové sušičce
 Lze čistit benzínem, alkoholem, a trifluortrichloretanem	 Lze čistit benzínem, perchloretylénem	 Lze čistit perchlorinetylenem, R11, R113 a benzínem

## Vložení prádla do pračky

- Otevřete dvířka pračky.
- Rozložte prádlo rovnoměrně do pračky.

**POZNÁMKA:** Dávejte pozor, abyste nepřekročili maximální náplň bubny, protože by to vedlo ke špatným výsledkům praní a ke zmačkání prádla. Informace o kapacitě pračky naleznete v tabulce pracích programů.

Následující tabulka ukazuje přibližnou hmotnost běžných typů prádla:

TYP PRÁDLA	HMOTNOST (g)
Ručník	200
Povlečení	500
Župan	1 200
Přikrývka	700
Povlak na polštář	200
Spodní prádlo	100
Ubrus	250

- Vložte každý kus prádla zvlášť.
- Zkontrolujte, zda se mezi gumovým těsněním a dvířky nezachytily žádné předměty.
- Jemně zatlačte na dvířka, dokud nezaklapnou.
- Ujistěte se, že jsou dvířka zcela zavřena, jinak se program nespustí.

## Přidání pracího prostředku do pračky

Množství pracího prostředku použitého v pračce závisí na následujících kritériích:

- Pokud je prádlo jen mírně zašpiněné, nepředpírejte ho. Vložte malé množství pracího prostředku (podle údajů výrobce) do oddílu II zásuvky na prací prostředky.
- Pokud je prádlo příliš znečištěné, vyberte program s předpírkou a vložte ¼ pracího prostředku, který se má použít, do oddílu I zásuvky na prací prostředek a zbytek do oddílu II.
- V pračce používejte prací prostředky určené pro automatické pračky. Řiďte se pokyny výrobce ohledně množství pracího prostředku, které se má použít.
- V oblastech s tvrdou vodou je zapotřebí více pracího prostředku.
- Množství potřebného pracího prostředku se zvyšuje s většími dávkami prádla.
- Do prostředního prostoru zásuvky na prací prostředek vložte změkčovač. Nepřekračujte rysku MAX.
- Hustá změkčovačla mohou způsobit ucpání zásuvky a měla by být zředěna.
- Tekuté prací prostředky je možné použít ve všech programech bez předpírky. V takovém případě zasuňte měrku hladiny tekutého pracího prostředku do zdířek v oddílu II zásuvky na prací prostředek. Čárky na měrce použijte jako vodítko pro naplnění zásuvky na požadovanou úroveň.

## Obsluha pračky

1. Zapojte pračku do elektrické sítě.
  2. Zapněte přívod vody.
- Otevřete dvířka pračky.
  - Rozložte prádlo rovnoměrně do pračky.
  - Jemně zatlačte na dvířka, dokud nezaklapnou.

## Výběr programu

Použijte tabulku programů a vyberte nejvhodnější program pro vaše prádlo.

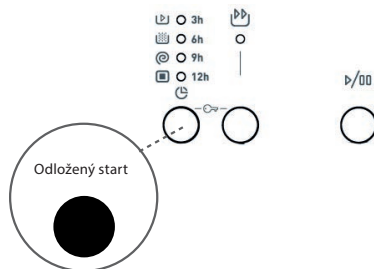
## Systém detekce poloviční náplně

Vaše pračka má funkci detekce poloviční náplně.

Pokud do pračky vložíte méně než polovinu maximálního množství prádla, automaticky nastaví funkci poloviční náplně bez ohledu na vybraný program. To znamená, že dokončení vybraného programu zabere méně času a spotřebuje se méně vody a energie.

## Časovač odloženého startu

- Jednou stiskněte tlačítko odloženého startu.
- Rozsvítí se kontrolka "3h".
- Opakovaně stiskněte tlačítko Odložený start, dokud se nerozsvítí kontrolka s požadovaným nastavením odloženého startu (3, 6, 9 nebo 12 hodin).
- Pokud jste přeskočili čas odloženého startu, který chcete nastavit, pokračujte stiskem tlačítka Odložený start, dokud se znovu nezobrazí požadovaný čas.
- Vybraný čas odložení aktivujete stiskem libovolného tlačítka přidavné funkce (kromě tlačítka Start/Pauza).
- Pro spuštění odpočtu odloženého startu použijte tlačítko START/PAUZA.
- Chcete-li funkci odloženého startu zrušit poté, co jste ji nastavili, stiskněte jednou tlačítko Odložený start. Kontrolka odloženého startu zhasne.



- Chcete-li přidat / odebrat prádlo, když je aktivní funkce odloženého startu, musíte stisknout tlačítko Start / Pauza. Po přidání / odebrání prádla musíte znovu stisknout tlačítko Start / Pauza, abyste funkci odloženého startu aktivovali.

## Rychlé praní: doplňková funkce

Použitím této funkce můžete prádlo vyprat za kratší dobu a spotřebovat tak méně energie a vody.

Tuto možnost doporučujeme použít pouze v případě, že pro vybraný program perete méně než polovinu maximální náplně suchého prádla. Tuto funkci vyberte stisknutím tlačítka Rychlé praní. Kontrolka rychlého praní se rozsvítí.

**POZNÁMKA:** Pokud do pračky vložíte méně než polovinu maximálního množství prádla, pračka automaticky nastaví funkci poloviční náplně, bez ohledu na vybraný program. To znamená, že dokončení vybraného programu zabere méně času a spotřebuje se méně vody a energie. Pokud vaše pračka detekuje polovinu náplně, na displeji se automaticky zobrazí symbol Rychlé praní.

## Tlačítko Start/Pauza

Chcete-li spustit vybraný program, stiskněte tlačítko Start / Pauza. Rozsvítí se indikátor provozu (praní).

## Dětská pojistka

Funkce Dětská pojistka umožňuje uzamknout tlačítka, takže zvolený prací cyklus nelze nedopatřením změnit.

Chcete-li aktivovat dětskou pojistku, stiskněte a podržte současně tlačítka doplňkových funkcí, viz obrázek, po dobu nejméně 3 sekund. Při aktivní dětské pojistce bude na panelu svítit kontrolka přídatné funkce.

Pokud stisknete libovolné tlačítko nebo změníte voličem programů zvolený program při aktivní dětské pojistce, rozblíká se na displeji kontrolka přídatné funkce.

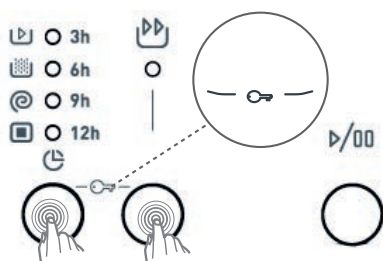
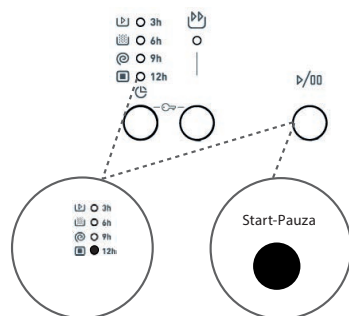
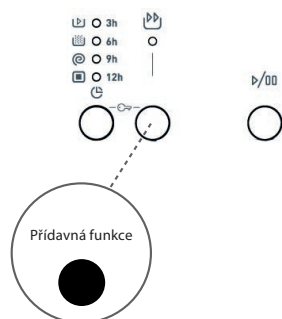
Pokud pračka již pere, dětská pojistka je aktivní a vy se pokusíte změnit program otočením voliče programů na polohu „0“ a následně na požadovaný program, pračka bude i nadále beze změny pokračovat v praní.

Chcete-li deaktivovat dětskou pojistku, stiskněte a podržte současně tlačítka přídatných funkcí po dobu nejméně 3 sekund.

## Zrušení programu

**Vybraný program lze kdykoliv zrušit:**

1. Volič programů přepnete do polohy „0“.
2. Pračka zastaví prací cyklus a program se zruší.












3. Otočením voliče PROGRAMŮ na jakýkoliv jiný program vypustíte z pračky vodu.
  4. Vaše pračka provede nezbytné vypouštění vody a zruší program.
- Nyní můžete vybrat a spustit nový program.

## Konec programu

Vaše pračka se sama zastaví, jakmile vybraný program skončí.

- Na panelu svítí kontrolka ukončení programu.
- Můžete otevřít dvířka pračky a vyjmout prádlo.
- Dvířka pračky nechte otevřená, aby mohla vnitřní část pračky vyschnout.
- Volič programů přepněte do polohy „0“.
- Pračku odpojte ze sítě.
- Zavřete přívod vody.

## TABULKA PROGRAMŮ

Program	Teplota (°C)	Maximální kapacita suchého prádla (kg)	Příhrádka	Délka (minut)	Typ prádla / popis
BAVLNA 90°	90	5,0	2	176	Velmi špinavé, bavlněné a lněné prádlo. (Spodní prádlo, povlečení, ubrusy, ručníky (maximálně 2,5 kg), ložní prádlo atd.)
Předpírka – Bavlna	60	5,0	1+2	156	Špinavá bavlna a lněný textil. (Spodní prádlo, povlečení, ubrusy, ručníky (maximálně 2,5 kg), ložní prádlo atd.)
BAVLNA 60 °C	60	5,0	2	190	Špinavá bavlna a lněný textil. (Spodní prádlo, povlečení, ubrusy, ručníky (maximálně 2,5 kg), ložní prádlo atd.)
ECO 40-60	40	5,0	2	180	Špinavá bavlna a lněný textil. (Spodní prádlo, povlečení, ubrusy, ručníky (maximálně 2,5 kg), ložní prádlo atd.)
BAVLNA 20 °C	20	2,5	2	96	Méně špinavý bavlněný a lněný textil. (Spodní prádlo, povlečení, ubrusy, ručníky (max. 2 kg), ložní prádlo atd.)
Syntetické 	40	3,0	2	110	Velmi špinavý nebo syntetický textil. (Nylonové punčochy, trička, halenky, syntetické směsi atd.)
VLNA 	30	2,0	2	39	Vlněné prádlo se štítkem pratelné v pračce.
MÁCHÁNÍ 	--	5,0	--	36	Další máchání jakéhokoli typu prádla po praní.
ŽDÍMÁNÍ 	--	5,0	--	15	Další ždímání jakéhokoli typu prádla po praní.
JEMNÉ / RUČNÍ PRÁNÍ 	30	2,0	2	90	Prádlo, u kterého je doporučeno praní v ruce, nebo jemné prádlo.
BARVY 40 °C 	40	3,0	2	180	Méně špinavý bavlněný a lněný textil. (Spodní prádlo, povlečení, ubrusy, ručníky (max. 2 kg), ložní prádlo atd.)
SMÍŠENÉ MIX	30	3,0	2	81	Špinavý bavlněný, syntetický, barevný a lněný textil, lze práť dohromady.
HALENKY / KOŠILE 	60	3,0	2	107	Špinavá bavlna, syntetika a syntetické směsi, trika, halenky, lze práť společně.
RYCHLÝ 60 min.	60	2,0	2	60	Špinavé, bavlněné, barevné a lněné textilie prané při 60 °C za 60 minut.
RYCHLÝ 15 min.*	30	2,0	2	15	Lehce znečištěný bavlněný, lněný a barvený textil.

\* Vzhledem ke krátké době praní tohoto programu doporučujeme použít méně pracího prostředku. Pokud pračka detekuje nerovnoměrné zatížení, program může trvat déle než 15 minut. Dvířka pračky můžete otevřít 2 minuty po dokončení pracího cyklu. (Toto dvouminutové období není zahrnuto v době trvání programu).

**POZNÁMKA:** DOBA TRVÁNÍ PROGRAMU SE MŮŽE ZMĚNIT V ZÁVISLOSTI NA MNOŽSTVÍ PRÁDLA, TYPU VODY, OKOLNÍ TEPLOTĚ A VYBRANÝCH PŘÍDAVNÝCH FUNKCÍCH.

- Vložíte-li do pračky 2 kg prádla nebo méně, pračka spustí automatický cyklus, který trvá 30 minut.
- Vzhledem ke krátké době praní tohoto programu doporučujeme použít méně pracího prostředku. Pokud pračka detekuje nerovnoměrné zatížení, program může trvat déle než 15 minut. Dvířka pračky můžete otevřít 2 minuty po dokončení pracího cyklu. (Toto dvouminutové období není zahrnuto v době trvání programu).
- Podle nařízení 1015/2010 a 1061/2010 je program 3 s volbami teploty „Standardním programem pro bavlnu při 60 °C“ a „Standardním programem pro bavlnu při 40 °C“.
- Program Eco 40–60 dokáže společně ve stejném cyklu vyčistit běžně znečištěné bavlněné prádlo s doporučenou teplotou praní 40 °C nebo 60 °C a tento program se používá k posouzení souladu s právními předpisy EU o ekodesignu.
- Nejúčinnější programy, pokud jde o spotřebu energie, jsou zpravidla programy, které perou delší dobu při nižších teplotách.
- Naplnění pračky pro domácnost na kapacitu uvedenou výrobcem pro příslušné programy přispěje k úspoře energie a vody.
- Doba trvání programu, spotřeba energie a hodnoty spotřeby vody se mohou lišit v závislosti na hmotnosti a typu náplně, vybraných doplňkových funkcích, typu vody a okolní teplotě.
- Pro prací programy, které perou při nízké teplotě, se doporučuje používat tekutý prací prostředek. Množství pracího prostředku závisí na množství prádla a míře jeho znečištění. Řiďte se doporučeními výrobce pracího prostředku ohledně používaného množství.
- Rychlost odstředování má vliv na hluk a zbytkový obsah vlhkosti. Čím vyšší rychlost odstředování ve fázi odstředování, tím vyšší hluk a tím nižší zbytkový obsah vlhkosti.
- Přístup do databáze produktů, kde jsou uloženy informace o modelu, můžete získat načtením QR kódu na energetickém štítku.

## Důležité informace

- Používejte pouze prací prostředky, změkčovadla a doplňky vhodné pro automatické pračky. Vytvořila se nadměrná pěna a byl aktivován systém automatické absorpce pěny následkem použití příliš velkého množství pracího prostředku.
- Doporučujeme pravidelné čištění pračky každé 2 měsíce. Pro pravidelné čištění použijte program Drum Clean (čištění bubnu). Pokud vaše pračka nemá program Drum Clean, použijte program Cotton 90. Podle potřeby použijte jen vhodné přípravky na odstranění vodního kamene vyvinuté speciálně pro pračky.
- Nikdy neotevírejte dvířka, když je pračka v provozu. Dvířka pračky můžete otevřít 2 minuty po dokončení pracího cyklu.
- Činnosti instalace a oprav musí vždy provádět zástupci autorizovaného servisu, aby se předešlo možným rizikům. Výrobce nenese odpovědnost za škody, které mohou vzniknout při procesech prováděných neoprávněnými osobami.

## ČIŠTĚNÍ A ÚDRŽBA

### Varování

**Před přistoupením k údržbě a čištění vypněte spotřebič a vytáhněte zástrčku napájecího kabelu ze zásuvky. Před zahájením údržby a čištění pračky zavřete přívod vody.**

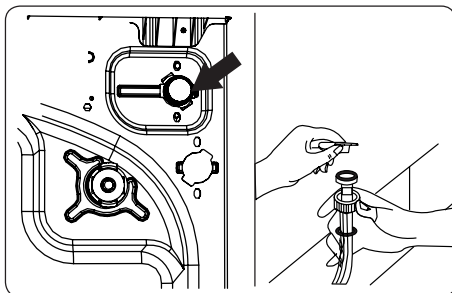
**K čištění pračky nepoužívejte rozpouštědla, abrazivní čisticí prostředky, prostředky na čištění skla ani univerzální čisticí prostředky. Chemikálie v nich obsažené mohou poškodit plastové povrchy spotřebiče a další komponenty.**

## Filtry na přívodu vody

Filtry na přívodu vody zabraňují vniknutí nečistot a cizích materiálů do pračky.

Doporučujeme vyčistit tyto filtry, jakmile do pračky nenatéká dostatek vody, ačkoliv je přívod vody zapnut a kohoutek otevřen. Doporučujeme čistit filtry přívodu vody každé 2 měsíce.

- Odšroubujte přívodní hadici (hadice) z pračky.
- Chcete-li vyjmout filtr přívodu vody z napouštěcího ventilu, použijte dlouhé kleštičky a opatrně odstraňte plastovou tyčinku na filtru.
- Druhý filtr přívodu vody je umístěn na konci přívodní hadice, který jde do kohoutku. Chcete-li vyjmout druhý filtr přívodu vody, použijte dlouhé kleštičky a opatrně odstraňte plastovou tyčinku na filtru.
- Filtr důkladně vyčistěte měkkým kartáčem, omyjte mýdlovou vodou a důkladně opláchněte. Filtr jemným zatlačením vložte zpět na místo.



**POZOR:** Filtry na přívodním ventilu vody mohou být zaneseny v důsledku nízké kvality vody nebo nedostatečné údržby a mohou se poškodit. To může způsobit únik vody. Na takovéto poruchy se nevztahuje záruka.

## Filtr čerpadla

Filtrační systém čerpadla ve vaší pračce prodlužuje životnost čerpadla tím, že zabraňuje vniknutí nečistot do pračky. Doporučujeme čistit filtr čerpadla každé 2 měsíce.

Filtr čerpadla je umístěn za krytem v pravém předním dolním rohu.

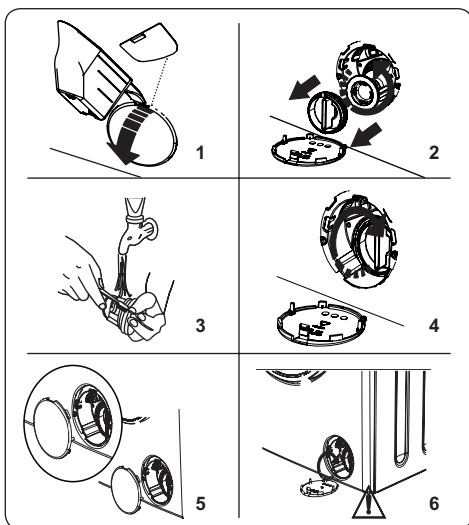
Čištění filtru čerpadla:

1. Otevřete kryt. Můžete použít přepážku na tekutý prášek viz obrázek.
2. Zasuňte konec odměry na prací prášek nebo měrky hladiny tekutého pracího prostředku do otvoru krytu a jemně zatlačte dozadu. Kryt se otevře.
3. Před samotným otevřením umístěte pod kryt filtru nádobu, která zachytí veškerou vodu, která v pračce zbyla.
4. Uvolněte filtr otáčením proti směru hodinových ručiček a zatáhnutím jej vyjměte. Počkejte, až voda vyteče.

**POZNÁMKA:** V závislosti na množství vody uvnitř pračky bude pravděpodobně nutné několikrát vyprázdnit sběrnou nádobu na vodu.

5. Měkkým kartáčem odstraňte z filtru všechny cizí materiály.
6. Po vyčištění znovu vložte filtr na místo a upevněte jej otáčením ve směru hodinových ručiček.
7. Při zavírání krytu filtru se ujistěte, že držáky uvnitř krytu zapadají do otvorů na straně předního panelu.
8. Zavřete kryt filtru.

**VAROVÁNÍ:** Voda v čerpadle může být horká, před čištěním nebo údržbou počkejte, až vychladne.

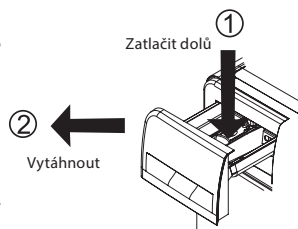


## Příhrádka na prací prášek

Používání pracího prostředku může časem vést k usazování zbytků v zásuvce na prací prostředek. Doporučujeme vyjmout zásuvku každé 2 měsíce a vyčistit nahromaděné zbytky.

Vyjmutí zásuvky na prací prostředek:

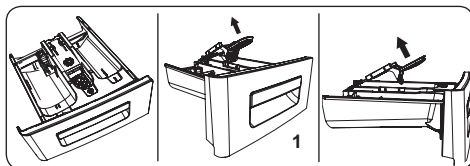
- Vytáhněte zásuvku dopředu tak, aby byla zcela vysunutá.
- Opatrně zatlačte na zásuvku (viz obrázek níže) a zásuvku vytáhněte.
- Vyčistěte zásuvku vodou a měkkým kartáčem.
- Pokud jsou v zásuvce zbylé nečistoty, odstraňte je měkkým kartáčem. Dbejte na to, aby se žádné zbylé nečistoty nedostaly do pračky.
- Důkladně osušte zásuvku a zasuňte ji zpět.
- **Nemyjte zásuvku na prací prostředek v myčce na nádobí.**



## Proplachovací zátka / tělo / buben

### 1. Proplachovací zátka

Vyjměte zásuvku na prací prostředek a demontujte proplachovací zátka. Důkladně odstraňte všechny zbytky změkčovadla. Po očištění vraťte zpět proplachovací zátka a zkontrolujte, zda je správně usazena.



### 2. Tělo

K čištění vnějšího pouzdra použijte jemný neabrazivní čisticí prostředek nebo mýdlo a vodu. Otřete dosucha měkkým hadříkem.

### 3. Buben

Nenechávejte v pračce kovové předměty, jako jsou jehly, kancelářské sponky, mince atd. Tyto předměty vedou k tvorbě rzi na bubnu. K čištění rzi použijte čisticí prostředek bez obsahu chloru a postupujte podle pokynů výrobce čisticího prostředku. Nikdy nepoužívejte drátěnku nebo podobné tvrdé předměty k čištění skvrn od rzi.

## ŘEŠENÍ PROBLÉMŮ

Opravu pračky by měla provádět autorizovaná servisní společnost. Pokud pračka vyžaduje opravu nebo pokud nemůžete vyřešit problém pomocí níže uvedených pokynů, měli byste:

- Odpojit pračku od napájení.
- Zavřít přívod vody.

CHYBA	MOŽNÁ PŘÍČINA	ŘEŠENÍ PROBLÉMU
Pračka se nezapne.	Pračka není připojena k elektrické síti.	Připojte pračku k elektrické síti.
	Pojistky jsou vadné.	Vyměňte pojistky.
	Žádné síťové napájení.	Zkontrolujte napájení ze sítě.
	Tlačítko Start/Pauza nebylo stisknuto.	Stiskněte tlačítko Start/Pauza
	Pozice programového voliče „stop“.	Volič programu přepněte do požadované polohy.
	Dvířka pračky nejsou úplně zavřena.	Dveře pračky zavřete.

CHYBA	MOŽNÁ PŘÍČINA	ŘEŠENÍ PROBLÉMU
Pračka nenapouští vodu.	Vodovodní kohoutek je zavřen.	Otevřete kohoutek.
	Hadice pro přívod vody může být zamotána.	Zkontrolujte přívodní hadici a rozmotejte ji.
	Hadice pro přívod vody je ucpána.	Vyčistěte filtry přívodní hadice. (*)
	Přívodní filtr je ucpán.	Vyčistěte filtry přívodu vody. (*)
	Dvířka pračky nejsou úplně zavřena.	Dveře pračky zavřete.
Pračka nevypouští vodu.	Vypouštěcí hadice je zanesena nebo zamotána.	Zkontrolujte vypouštěcí hadici a poté ji vyčistěte nebo rozvíňte.
	Filtr čerpadla je ucpán.	Vyčistěte filtr čerpadla. (*)
	V bubnu je prádlo příliš natlačeno k sobě.	Rozložte prádlo rovnoměrně do pračky.
Pračka vibruje.	Nožičky nebyly nastaveny.	Seřídte nožičky. (**)
	Přepavní šrouby nebyly odstraněny.	Odstraňte přepravní šrouby z pračky. (**)
	Malé zatížení v bubnu.	To nezabrání provozu pračky.
	Pračka je přetížená prádlem nebo je prádlo nerovnoměrně rozprostřeno.	Nepřetěžujte bubnu. V bubnu rovnoměrně rozprostřete prádlo.
	Pračka je umístěna na tvrdém povrchu.	Neumísťujte pračku na tvrdý povrch.
V zásuvce na prací prostředek se vytváří nadměrné množství pěny.	Bylo použito nadměrné množství pracího prostředku.	Stiskněte tlačítko Start/Pauza Chcete-li pění zastavit, rozřeďte jednu polévkovou lžičku změkčovače v 1/2 litru vody a nalijte ji do zásuvky na prací prostředek. Po 5–10 minutách stiskněte tlačítko Start/Pauza.
	Byl použit nevhodný prací prostředek.	V pračce používejte pouze prací prostředky vyrobené pro automatické pračky.
Neuspokojivý výsledek praní.	Vaše prádlo je pro vybraný program příliš špinavé.	Pomocí informací v tabulce programů vyberte nejvhodnější program.
	Bylo použito příliš malé množství pracího prostředku.	Používejte správné množství pracího prostředku podle pokynů na obalu.
	V pračce je příliš mnoho prádla.	Zkontrolujte, zda nebyla překročena maximální kapacita pro vybraný program.
	Tvrdá voda.	Podle pokynů výrobce zvyšte množství pracího prostředku.
	V bubnu je prádlo příliš natlačeno k sobě.	Zkontrolujte, zda je prádlo v bubnu rovnoměrně rozprostřeno.



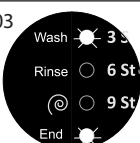
CHYBA	MOŽNÁ PŘÍČINA	ŘEŠENÍ PROBLÉMU
Jakmile se pračka naplní vodou, voda se vypouští.	Konec vypouštěcí hadice je pro pračku příliš nízká.	Zkontrolujte, zda je vypouštěcí hadice ve vhodné výšce. (**).
Během praní se v bubnu neobjevila voda.	Žádná chyba. Voda je v části bubnu, která není viditelná.	-
Na prádle ulpívají zbytky pracího prostředku.	Nerozpouštějící se částice některých pracích prostředků se mohou na vašem prádle objevit jako bílé skvrny.	Po uschnutí proveďte další máchání nebo vyčistěte prádlo kartáčem.
Na prádle se objevují šedé skvrny.	Na vašem prádle je neošetřený olej, krém nebo mast.	Pro příští praní používejte správné množství pracího prostředku podle pokynů na obalu.
Cyklus ždímání neprobíhá nebo probíhá později, než se očekávalo.	Žádná chyba. Byl aktivován systém nevyváženého zatížení.	Systém kontroly nevyváženého zatížení se bude snažit prádlo rovnoměrně rozložit v bubnu. Ždímání začne, jakmile se prádlo rozloží. Při příštím praní rozprostřete prádlo v bubnu rovnoměrně.


(\*) Viz kapitola týkající se údržby a čištění pračky.

(\*\*) Viz kapitola týkající se instalace pračky.

## Chybové kódy a jejich řešení

Pračka je vybavena vestavěným systémem detekce poruch. Poruchy jsou indikovány kombinací svítících provozních kontrolek. Nejběžnější chybové kódy jsou uvedeny níže.

CHYBOVÝ KÓD	PŘÍČINA	NÁPRAVA
E01 	Dvířka pračky nejsou správně zavřena.	Zavřete správně dvířka, dokud neuslyšíte cvaknutí. Pokud vaše pračka i nadále ukazuje závadu, pračku vypněte, odpojte a okamžitě kontaktujte nejbližší autorizovaný servis.
E02 	Nedostatečný tlak vody nebo nízká hladina vody uvnitř pračky.	Zkontrolujte, zda je kohoutek zcela otevřen. Přívod vody může být odpojen. Pokud problém přetrvává, pračka se po chvíli automaticky zastaví. Pračku odpojte, zavřete kohoutek přívodu vody a kontaktujte nejbližší autorizovaný servis.
E03 	Vadné čerpadlo, ucpaný filtr čerpadla nebo vadné elektrické zapojení čerpadla.	Vyčistěte filtr čerpadla. Pokud problém přetrvává, kontaktujte nejbližší autorizovaný servis. (*)

CHYBOVÝ KÓD	PŘÍČINA	NÁPRAVA
E04 	V pračce je nadměrné množství vody.	Pračka vodu sama vypustí. Jakmile se voda vypustí, pračku vypněte a odpojte ji ze sítě. Zavřete kohoutek přívodu vody a kontaktujte nejbližší autorizovaný servis.

(\*) Viz kapitola týkající se údržby a čištění pračky.

## TECHNICKÉ ÚDAJE

	EWF 1053 MD
Vestavný spotřebič	Ne
Maximální kapacita náplně (suché prádlo) kg	5
Rozměry (V x Š x H) [mm]	845 x 597 x 497
Jmenovité napětí	220-240 V ~ 50 Hz
Příkon	2100 W
Pojistka	10 A
Tlak vody (MPA) MIN/MAX	0,1, MPA/ 1, MPA

## VYUŽITÍ A LIKVIDACE ODPADU

Balící papír a vlnitá lepenka – odevzdat do sběrných surovin. Přebalová folie, PE sáčky, plastové díly – do sběrných kontejnerů na plasty.

## LIKVIDACE VÝROBKU PO UKONČENÍ ŽIVOTNOSTI

**Likvidace použitých elektrických a elektronických zařízení (platí v členských zemích EU a dalších evropských zemích se zavedeným systémem třídění odpadu)**

Vyobrazený symbol na produktu nebo na obalu znamená, že s produktem by nemělo být nakládáno jako s domovním odpadem. Produkt odevzdejte na místo určené pro recyklaci elektrických a elektronických zařízení. Správnou likvidaci produktu zabráníte negativním vlivům na lidské zdraví a životní prostředí. Recyklace materiálů přispívá k ochraně přírodních zdrojů. Více informací o recyklaci tohoto produktu Vám poskytne obecní úřad, organizace pro zpracování domovního odpadu nebo prodejní místo, kde jste produkt zakoupili.



08/05

Tento výrobek splňuje požadavky směrnic EU o elektromagnetické kompatibilitě a elektrické bezpečnosti. Tento výrobek splňuje požadavky z hlediska problematiky těžkých kovů v elektrozařízeních.



Návod k obsluze je k dispozici na webových stránkách [www.ecg-electro.eu](http://www.ecg-electro.eu).

Změna textu a technických parametrů vyhrazena.

## OHUTUSJUHISED

### Tutvuge põhjalikult ning säilitage edaspidiseks kasutamiseks!

**Hoiatus:** Käesolevas kasutusjuhendis esitatud ohutusmeetmed ja -juhised ei hõlma kõiki võimalikke tingimusi ja olukordi, mis võivad tekkida. Kasutaja peab teadvustama, et terve mõistus, tähelepanu ja ettevaatus on tegurid, mida ei saa toodetesse integreerida. Seetõttu peab need tegurid tagama seadme kasutaja. Me ei vastutata transportimisel, mittenõuetekohasest kasutamisest, toitepinge kõikumisest või seadme mistahes osade vahetamisest või muutmisest põhjustatud kahjude eest.

Tutvuge selle kasutusjuhendi juhistega. Enne esmakordset kasutamist tutvuge kõikide kirjalike juhistega ja hoidke need alles edaspidiseks kasutamiseks.

Tulekahju või elektrilöögi riski eest kaitseks tuleb elektriseadmete kasutamisel rakendada põhilisi ettevaatusabinõusid, sealhulgas alljärgnevaid:

1. Veenduge, et toitevõrgu pinget vastab teie seadme andmesildil näidatud pingega. Ohutuse tagamiseks ühendage seade nõuetekohase maandusega kolmeharulisse pistikupesasse, mis on paigaldatud vastavalt kehtivale tehnilisele standardile ja vastavalt tootja juhistele ja kohalikele ohutusreeglitele.
2. Ärge kasutage vigastatud toitejuhtmega seadet. Usaldage seadme toiteallikaga ühendamine ja veeühendus, kõik parandused või seadistused, sh toitekaabli vahetamine, volitatud teeninduskeskusele! Ärge eemaldage seadme kaitsekatteid, see võib põhjustada elektrilööki!
3. Ärge ühendage ja eemaldage toitejuhet seinakontaktist märgade kätega. Sellega väldite elektrilöögi riski.
4. Ärge puudutage seadet märgade kätega või jalgadega.
5. Pärast seadme paigaldamist peab toitejuhe jääma kättesaadavaks. Ärge lühendage toitejuhet ning ärge kasutage pikendusjuhtmeid. Ärge laske toitejuhtmel kokku puutuda kuumade pindadega ning ärge jätke seda teravatele servadele.



6. Ärge lülitage seadet sisse ja välja toitejuhtme toitevõrku ühendamisegajalahtiühendamisega. Toitevõrgust lahtiühendamisel ärge tõmmake toitejuhtmest. Toitevõrgust lahtiühendamisel tõmmake pistikust. Pärast kasutamist viige pöördlülitid alati OFF (väljas) asendisse, ühendage seade toitevõrgust lahti ja sulgege veeühendus.
7. Ärge asetage seadet vaipadele või muudele sarnastele pindadele, mis võivad blokeerida seadme alumises osas olevaid ventilatsiooniaspekte.
8. Ärge sisestage seadmesse mistahes esemeid ning ärge asetage seadmele mistahes kõrvalisi esemeid. (näiteks vaasid, tassid jne).
9. Ärge asetage masina tühjendusvoolikut kraanikaussi, ämbritesse või kaussidesse.
10. Ärge laske lastel seadmega mängida. Kaitske masinat laste ja loomade juurdepääsu eest. **Alla 3 aastastel lastel ei tohi olla seadmele juurdepääsu, välja arvatud siis, kui nad on järelevalve all.**
11. Hoidke lastele kättesaamatult dokumentatsioonikotis sisalduvaid väikeseid varuosi.
12. Ärge jätke seadet otsese päikesevalguse kätte, ärge kasutage seda välitingimustes ning ärge jätke seda vihma kätte.
13. Ärge hoidke seadme läheduses kergesti süttivaid vedelikke.
14. Ärge peske komponente, mida on puhastatud, pestud, sukeldatud või värvitud süttimisohlike või plahvatusohlike ainetega (vaha, õli, värv, bensiin, rasvaemaldajad, keemilised lahustid, petrooleum jne), pesumasinas. Väga tuleohlike, plahvatusohlike või mürgiste lahustite kasutamine on keelatud. Ärge kasutage pesuvahendina bensiini, alkoholi, jne. See võib põhjustada tulekahju või plahvatuse. **Vaiba pesemine on keelatud.**
15. Ärge puudutage pesumasinat selle töötamise ajal niiskete kätega. Ärge kunagi avage pesuainesahtlit või pesumasina ust pesemise ja tsentrifugimise ajal.

16. Ärge puudutage pesumasina tühjendamise ajal tühjendusvoolikut ega väljavoolavat vett. Pesumasina töötamise ajal võib vee temperatuur tõusta väga kõrgele.
17. Talitushäirete korral ühendage kõigepealt lahti toitejuhe ning seejärel sulgege veekraan. Ärge üritage remontida seadet iseseisvalt, pöörduge volitatud teeninduskeskusesse.
18. Enne esmakordset kasutamist, ärge unustage **EEMALDADA LUKUSTUSKRUVISID** mis on ettenähtud masina lukustamiseks transportimise ajal. Paigaldatud lukustuskrudega pesumasina käivitamisest põhjustatud kahjud ei kuulu garantii korras hüvitamisele.
19. Seade on ettenähtud kasutamiseks ainult koduses majapidamises ja ainult tekstiilmaterjalide pesemiseks. Kommertskasutuse korral või selle kasutusjuhendi juhiste eiramisel muutub garantii kehtetuks.
20. See pesumasin on ettenähtud kasutamiseks ainult siseruumides.
21. Ärge paigaldage seadet niiskettesse ruumidesse samuti plahvatusohtlike või sööbivate gaaside keskkonda.
22. Seadet on lubatud kasutada üle 8 aasta vanustel lastel ja vähenenud füüsiliste, sensorsete või vaimsete võimetega isikutel või kogemusteta isikutel, kui nad on järelevalve all või kui neile on selgitatud seadme ohutut kasutamist ning nad on teadlikud seadme kasutamisega seotud potentsiaalsetest ohtudest. Puhastamis- ja hooldustoiminguid ei ole lubatud teostada alla 8-aastastel ja järelevalveta lastel. Hoidke alla 8 aastased lapsed seadmest ja selle toitejuhtmest eemal.
23. Mistahesekkumineseadmesse muu, kuivolitatud teeninduskeskuse töötaja poolt, muudab garantii kehtetuks.
24. Garantii ei kata välismõjude (üleujutus, kemikaalid, tulekahju jne) poolt tekitatud kahjustusi.
25. Tootja ei vastuta mittenõuetekohase maanduse/kasutamise poolt põhjustatud kahjude eest. **OHTLIK PINGE, VIGASTUSE OHT!**

## SOOVITUSED

- Enne oma uue pesumasina kasutamist paluge paigaldamisega ja kasutuselevõtuga seotud abi kogemustega torulukksepalalt või volitatud teeninduskeskusest.

- Paigaldage pesumasin piisava õhuringlusega hästi ventileeritud alasse. Paigaldage seade nii, et pesumasina ust saab täielikult avada. Pesumasin ei ole ettenähtud mööblikomplektidesse sisseehituseks või integreerimiseks.
- Pesumasina töötamise ideaalne ümbritseva õhu temperatuur on 15 °C kuni 25 °C.
- Külmunud voolikud võivad puruneda. Kohtades, kus temperatuur langeb alla külmumispunkti, võib temperatuur ohustada elektroonikakomponentide ohutut töötamist.
- Soovitame esimene pesemistsüklit viia läbi ilma pesuta 90° puuvilla režiimis nii, et kallate pesuvahendi teise sahtlisse ½ mõõtetopsikut pesuvahendit.
- Kuna pikaajaline kokkupuude õhuga võib põhjustada pesuvahendi või kangapehmedaja sadestumise, siis kallake pesuvahend või kangapehmedaja masinasse just enne pesupesemise algust.
- Eelpesu programmi soovitame kasutada ainult tugevasti määrdunud pesu korral.
- Pesumasinasse paigutatud pesu kogus ei tohi ületada maksimaalset lubatud kogust. Vastasel juhul töötab pesumasin turvarežiimis.
- Kasutage pesumasinat ainult masinpesuks ettenähtud pesu pesemiseks.
- Kangapehmedaja või muude sarnaste toodete kasutamisel järgige tootja soovitusi.
- Veenduge, et pestavate esemete taskutes ei ole kõrvalisi esemeid (naelu, nõelu, münte, välgumihkleid, tikke, klambreid jne). Need kõrvalised esemed võivad pesumasinat kahjustada.
- Väga tolmuste riiete pesemine võib teie pesumasinat kahjustada. Enne väga tolmuste riiete asetamist pesumasinasse kloppige need läbi.
- Ärge kunagi avage masina töötamise ajal pesuainesahtlit.
- Ärge kunagi avage masina töötamise ajal pesumasina ust.
- Enne ukse avamist veenduge, et trumlis ei ole vett. Ärge avage pesumasina ust, kui näete trumlis vett.
- Programmi lõpus oodake enne ukse avamist umbes 2 minutit.
- Pleegitusaines sisalduv väävel võib põhjustada korrosiooni. Seetõttu ärge kasutage pesumasinas pleegitusaineid. Ärge kasutage pesumasinas kunagi lahusteid (näiteks bensini) sisaldavaid aineid.
- Kui plaanite masinat pikema aja jooksul mitte kasutada, siis ühendage see toitevõrgust lahti, sulgege veekraan ning jätke uks lahti. Masina sisemus jääb kuivaks ja lõhnavabaks.
- Pärast masina katsetamist tootmisprotsessi lõpus võib masinasse jääda väike kogus vett, mis ei kujuta teie masinale ohtu.

## Üleujutusoh

- Kasutage masinaga kaasaolevate uute torude komplekti.
- Ärge kasutage vanade voolikute komplekti.
- Pärast pesumasina kasutamist ühendage pesumasin toitevõrgust lahti ning keerake kinni veekraan.
- Ärge asetage masina tühjendusvoolikut kraanikaussi, ämbrisse või kaussidesse.

## Kukkumise või vigastuse oht

- Ärge seiske või istuge pesumasina peal. Pealmine plaat võib puruneda ning põhjustada vigastusi.
- Ärge toetuge uksele. Ärge kasutage ukse sulgemiseks jõudu. Kui ukse sulgemine on raskendatud, siis veenduge, et pesumasinas ei ole liiga palju riideid või nad ei ole hästi jaotatud.
- Pärast paigaldamist ühendage voolikud ja toitejuhe ohutult. Liikuvad ja rippuvad voolikud ja juhtmed võivad põhjustada vigastusi.
- Ärge keerake masinat tagurpidi või külili.
- Ärge tõstke masinat väljaulatuvatest osadest (pesuainesahtel, uks). See võib neid kahjustada ja põhjustada vigastust.
- Pesumasina liigutamiseks on vajalik vähemalt kahe inimese koostöö.

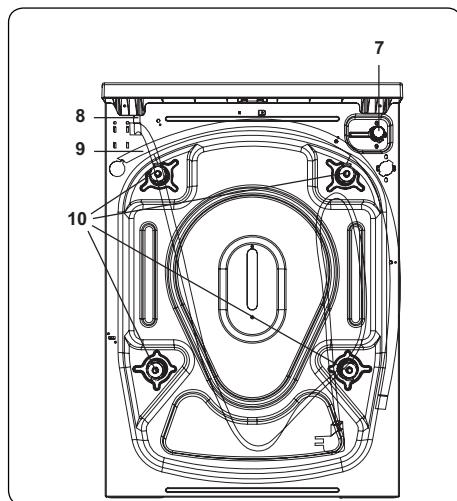
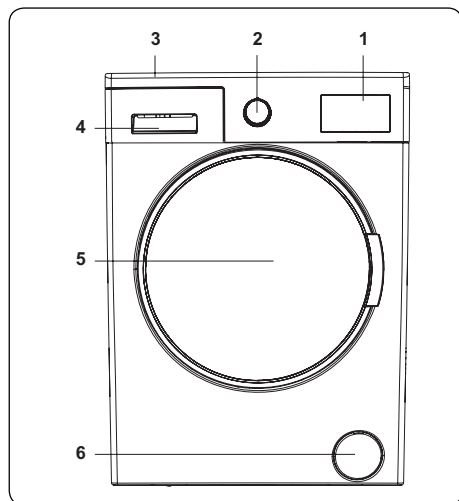
## Laste ohutus

- Alla 3 aastastel lastel ei tohi olla seadmele juurdepääsu, välja arvatud siis, kui nad on järelevalve all. Ärge jätke lapsi pesumasina läheduses järelevalveta. Lapsed võivad ennast pesumasinasse lukustada, millel võivad olla fataalsed tagajärjed.
- Töötamise ajal võivad klaasuks ja masina pinnad muutuda väga kuumaks. Kaitske väikeseid lapsi ja loomi nende pindadega kokkupuutumise eest.

- Hoidke pakkematerjale lastele kättesaamatult. Need võivad põhjustada lämbumise
- Pesuainete allaneelamine võib põhjustada mürgitust ja kokkupuude naha või silmadega võib põhjustada ärritust. Hoidke pesuaineid lastele kättesaamatult.

## KIRJELDUS

Eesti keel



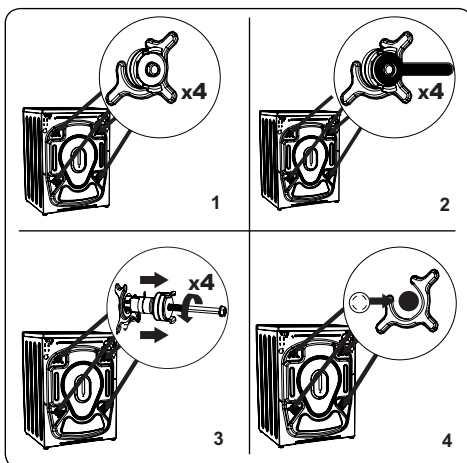
1. Elektrooniline kuvar
2. Programmi valija
3. Pealmine kaas
4. Pesuainesahtel
5. Trummel
6. Pumbafiltri kate
7. Täiteklapp
8. Toitejuhe
9. Tühjendusvoolik
10. Transportimiskruvid

## PAIGALDAMINE

### Transportimiskruvide eemaldamine

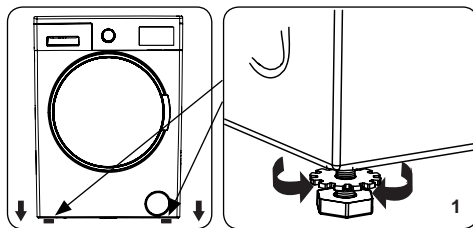
1. Enne pesumasina käivitamist eemalda pesumasina tagaosast 4 transportimiskruvi ja kummiseibid. Kui kruvisid mitte eemaldada, siis põhjustab see pesumasinale tugevaid vibratsioone, müra ja talitushäireid ja muudab garantii kehtetuks.
2. Lõdvestage transportimiskruvid, pöörates neid sobiva võtmega vastupäeva.
3. Eemaldage transportimiskruvid, tõmmates nad otse välja.
4. Sisestage tekkinud avadesse kaasasolevad plastkorgid. Hoidke transportikruvid alles edaspidiseks kasutamiseks.

**Märkus:** Eemaldage transportimiskruvid enne pesumasina esmakordset kasutamist. Paigaldatud lukustuskruvidega pesumasina käivitamisest põhjustatud kahjud ei kuulu garantii korras hüvitamisele.



### Tugijala reguleerimine / reguleeritavate piirajate reguleerimine

1. Ärge paigaldage pesumasinat pindadele (nt vaibale), mis takistab alumise osa ventilatsiooni.
  - Vaikse ja vibratsioonivaba töötamise tagamiseks paigaldage see kõvale pinnale.
  - Masina tasakaalustamiseks saate kasutada reguleeritavat tugijalga.
  - Keerake lahti plastist lukustusmutter.
2. Kui soovite suurendada pesumasina kõrgust, siis pöörake tugijalga päripäeva. Kui soovite vähendada pesumasina kõrgust, siis pöörake tugijalga vastupäeva.
  - Pärast pesumasina tasakaalustamist keerake lukustusmutrid päripäeva kinni.
3. Ärge kunagi asetage pesumasina alla kartongi, puitu või muid sarnaseid materjale.
- Pesumasina all oleva põranda pühkimisel ja pesemisel vältige pesumasina horisontaalasendi muutmist.



### Ühendamine elektritoitega

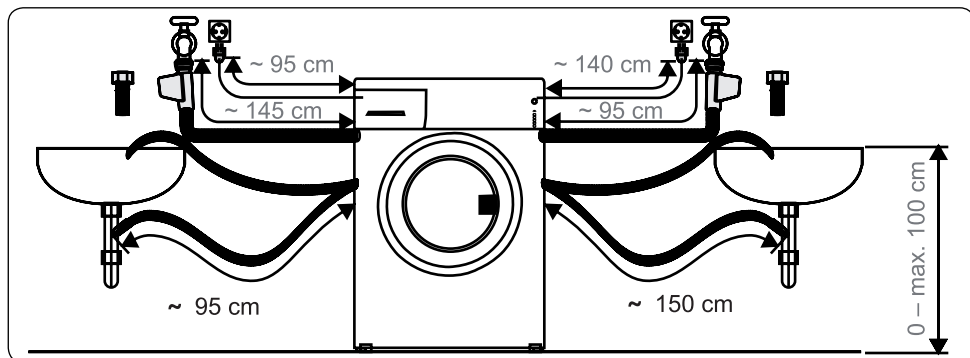
- Pesumasin vajab toiteks 220-240 V, 50 Hz toitepinget.
- Teie pesumasina toitejuhe on varustatud spetsiaalse maanduskontaktiga pistikuga. Pistik tuleb alati sisestada 10 A maandatud pistikupesaga.
- Kui teil pole sobivat pistikupesaga ja maandatud kaitset, siis pöörduge kogemustega elektriku poole.
- Me ei vastuta vigastuste eest, mis on põhjustatud maanduseta pistikupesaga kasutamisest.

**Märkus:** Pesumasina kasutamine madalpinge tingimustes lühendab masina kasutusiga ja selle tõhusust.

### Veetoru

1. Sõltuvalt pesumasina spetsifikatsioonist saab teie pesumasina ühendada külma veega või külma ja kuumaga veega. Valge korgiga toru tuleb ühendada külma veega ja punase korgiga toru kuumaga veega (kui on kättesaadav).
- Liitekohtadest veelekete ärahoidmiseks on voolikutega kaasas 1 või 2 mutrit (sõltuvalt teie pesumasina mudelist). Kinnitage need mutrid veetoruga ühendatava vooliku otsa.

2. Ühendage uued voolikud  $\frac{3}{4}$ " keermega veekraaniga.
- Ühendage valge otsaga veetoru pesumasina tagaosas valge toiteventiiliga ja punase otsaga veetoru punase toiteventiiliga (kui seda kasutatakse).
- Pingutage liitekohti käsitsi. Kahtluse korral võtke ühendust kogemustega torulukksepa.
- 0,1 -1,0 MPa survega veevool võimaldab teie pesumasinal töötada optimaalse tõhususega (0,1 MPa surve tähendab enam kui 8 liitrit vett minutis läbi täielikult avatud kraani).
3. Pärast kõikide ühenduste tegemist keerake veeühendused lahti ja kontrollige põhjalikult lekete puudumist.
4. Veenduge, et veetorud ei ole kokku surutud, väändunud, keerdus, painutatud või purustatud.
- Kui teie pesumasin on ühendatud kuuma vee toruga, siis ei tohi kuuma vee temperatuur ületada 70° C.



**Märkus:** Pesumasin tuleb ühendada veevõrguga ainult uute kaasasolevate torudega. Ärge kasutage vanu torusid.

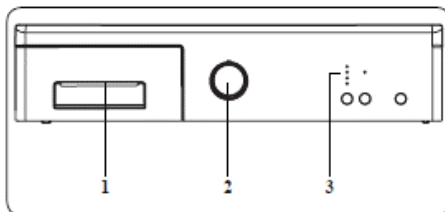
### Vee äravooluvooliku ühendamine

- Ühendage äravoolutoru kanalisatsioonipüstikuga või kraanikausi torupõlvega kasutades täiendavaid ühendustorusid.
- Ärge kunagi üritage äravoolutoru pikendada.
- Ärge kunagi asetage pesumasina äravoolutoru mahutisse, ämbrisse või vanni.
- Veenduge, et vee äravooluvoolik ei ole painutatud, kõverdunud, keerdus või pikendatud.
- Äravoolutoru ei tohi maapinnast olla üle 100 cm kõrgusel.



## JUHTPANEELI ÜLEVAADE

1. Pesuainesahtel
2. Programmi valija
3. Elektrooniline kuvar ja lisafunktsioonide nupud



### Pesuainesahtel

1. Vedela pesuaine vahesein tagab pesuaine ühtlase jaotumise pesemise ajal.
2. Pesuainesahtel
3. Kangapehmedaja sahtel
4. Eelpesu pesuainesahtel

### Sektsioonid

#### Pesuainesahtel:

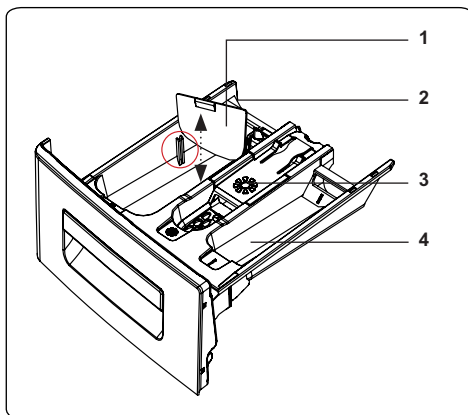
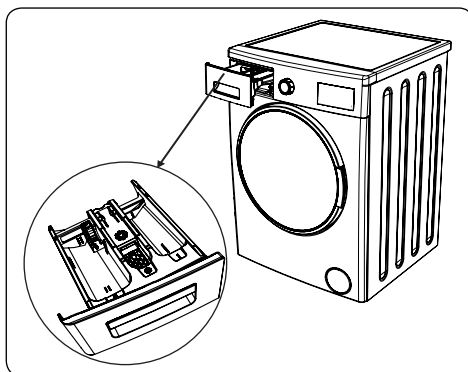
See sektsioon on ettenähtud vedelale ja pulbrilisele pesuvahendile või katlakivi eemaldajatele.

#### Kangapehmedaja, tärkelis, pesuvahend:

See sektsioon on ettenähtud pehmendusvahenditele, kangapehmedajatele või tärklisele. Järgige pakendil näidatud tootja juhiseid. Kui kangapehmedaja jätab pärast kasutamist pesule plekid, siis proovige kangapehmedajat lahjendada või kasutage vedelat kangapehmedajat.

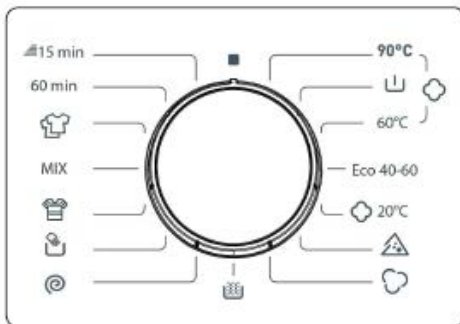
#### Eelpesu pesuainesahtel:

Kasutage seda sahtlit ainult siis, kui olete valinud eelpesu funktsiooni. Eelpesu programmi soovitame kasutada ainult tugevasti määrdunud pesu korral.



## Programmi valija

- Soovitud programmi valimiseks pöörake programmi valijat päripäeva või vastupäeva kuni programmi valija märgis näitab valitud programmile.
- Veenduge, et programmi valija näitab täpselt soovitud programmile.

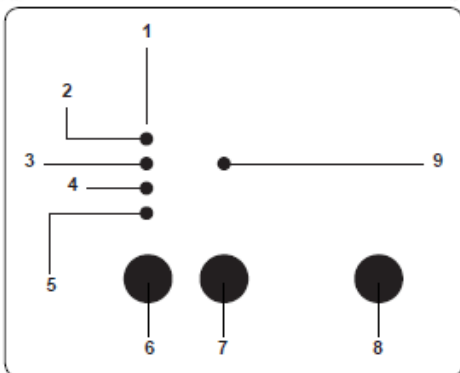


## Elektroniline kuvar

1. Kuvariga paneel
2. Töörežiimi näidik (pesemine)
3. Loputamise näidik
4. Tsentrifugimise näidik
5. Programmi lõpetamise näidik
6. Viitkäivituse täiendava funktsiooni nupp
7. Kiirpesu täiendava funktsiooni nupp
8. START/PAUZA nupp
9. Täiendava funktsiooni näidik - kiirpesu

Kuvarile kuvatakse viitkäivituse taimer (kui on seadistatud), temperatuur, valitud täiendavad funktsioonid ja jooksva programmi praegune faas (eelpesu/pesu - loputamine - tsentrifugimine).

Pärast valitud programmi lõppu, ilmub kuvarile END (lõpp). Kuvaril näidatakse ka pesumasina talitushäireid.





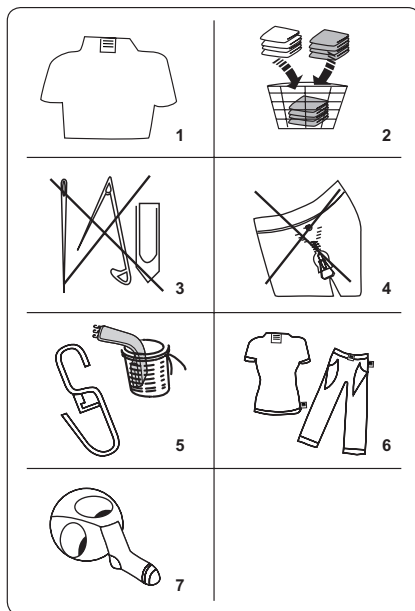
# PESUMASINA KASUTAMINE

## Pesu ettevalmistamine

1. Järgige riideesemete siltidel näidatud juhiseid.
  - Sorteeri pesu vastavalt liigile (puuvill, sünteetika, õrn pesu, vill jne), pesemistemperatuurile (külm, 30 C°, 40 C°, 60 C° või 90 C°) ja määrdumisastmele (vähesel määral määrdunud, määrdunud, tugevasti määrdunud).
2. Ärge kunagi peske koos värvilist ja valget pesu.
- Tumedad kangad võivad sisaldada ülemäära värv ja neid tuleneb mitu korda eraldi pesta.
3. Veenduge, et pesus või taskutes ei ole metallsemeid; kui on, siis eemaldage need.

**TÄHELEPANU:** Garantii, ei kata talitushäireid, mis on põhjustatud vöörkehast põhjustatud kahjustustest.

4. Sulgege tõmbelukud, kõik haagid ja aasad.
5. Eemaldage kardinatelt kõik plastikust või metallist haagid või asetage kardinad pesemisvõrku või pesemiskotti.
6. Pöörake riietusesemed, nagu näiteks püksid, kudumid, T-särgid ja dressipluusid, tagurpidi.
7. Peske sokke, taskurätikuid ja muid sarnaseid väikeseid esemeid pesemisvõrgus.



## Riietusesemete hooldussümbolid

 Tavapesu	 Maksimaalne pesemistemperatuur on 90°C	 Maksimaalne pesemistemperatuur on 60°C
 Maksimaalne pesemistemperatuur on 30°C	 Käsipesu	 Pesemine keelatud
 Võib valgendada	 Mitte valgendada	 Maksimaalne triikimistemperatuur on 110°C
 Maksimaalne triikimistemperatuur on 150°C	 Maksimaalne triikimistemperatuur on 200°C	 Mitte triikida
 Keemiline puhastus lubatud	 Keemiline puhastus keelatud	 Lahti voltida
 Riputada märjana	 Riputada kuivamiseni	 Ärge kuivatage trumlis
 Saab puhastada bensiiniga, alkoholiga ja trifluorokloroetaaniga	 Saab puhastada bensiiniga, perkloroetüleeniga	 Saab puhastada perkloroetüleeniga, R11-ga ja R113-ga ning bensiiniga

## Pesu asetamine pesumasinasse

- Avage pesumasinaks uks.
- Asetage pesu ühtlaselt pesumasinasse.

**MÄRKUS:** Olge ettevaatlik ja ärge ületage trumli maksimaalset täitekogust, kuna see halvendab pesemistulemusi ja muudab pesu kortsuliseks. Pesumasin mahutavusega seotud teave on näidatud pesuprogrammide tabelis.

Alljärgnevas tabelis on näidatud tavaliste pesuesemete ligikaudne kaal:

PESU TÜÜP	KAAL (g)
Rätik	200
Voodipesu	500
Hommikumantel	1 200
Tekk	700
Padjapüür	200

Aluspesu	100
Laudlina	250

- Asetage iga pesuese pesumasinasse eraldi.
- Veenduge, et ukse ja kummitihendi vahele ei jää ühtegi eset.
- Suruge üks ettevaatlikult klõpsuni kinni.
- Veenduge, et üks on täielikult kinni, vastasel juhul programm ei käivitu.

## Pesuaiinete lisamine pesumasinasse

Pesumasin kasutatavate pesuaiinete koguse sõltub alljärgnevatest kriteeriumidest:

- Kui pesu on ainult kergelt määratud, siis vältige eelpesu kasutamist. Lisage pesuainesahkli II sektsiooni väike kogus pesuainet (vastavalt tootja juhistele).
- Kui pesu on tugevasti määratud, siis valige eelpesu programm ja lisage ¼ planeeritavast pesuaine kogusest pesuainesahkli I sektsiooni ja ülejäänud kogus II sektsiooni.
- Kasutage automaatsetele pesumasinatele ettenähtud pesuaineid. Järgige kasutatava pesuaine kogusega seotud tootja juhiseid.
- Kareda veega piirkondades vajalik suurem pesuaine kogus.
- Suurema pesukoguse korral on vajalik suurem pesuaine kogus.
- Lisage kangapehmenajat pesuainesahkli keskmisesse sektsiooni. Ärge ületage MAX-tähist.
- Paksud kangapehmenajajat võivad pesuainesahkli ummistada, seetõttu tuleb neid lahjendada.
- Vedelaid pesuaineid saab kasutada kõikide eelpesuta programmides. Sellisel juhul sisestage pesuainesahkli II sektsiooni pesadesse pesuaine taseme mõõdik. Kasutage mõõdiku jooni sahtli täitmiseks soovitud tasemeni.

## Pesumasin kasutamine

1. Ühendage pesumasin toitevõrguga.
  2. Keerake lahti veekraan.
- Avage pesumasin uks.
  - Asetage pesu ühtlaselt pesumasinasse.
  - Suruge üks ettevaatlikult klõpsuni kinni.

## Programmi valimine

Kasutage oma pesule kõige sobivama programmi valimiseks programmide tabelit.

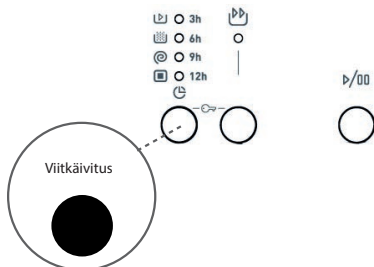
## Poole pesukoguse tuvastamise süsteem

Teie pesumasin on varustatud poole pesukoguse tuvastamise funktsiooniga.

Kui lisate pesumasinasse vähem kui pool maksimaalsest pesukogusest, siis seadistab pesumasin automaatselt poole pesukoguse funktsiooni sõltumata valitud programmist. See tähendab, et valitud programmi lõpetamiseks kulub vähem aega ning pesumasin kasutab vähem vett ja energiat.

## Viitkäivituse taimer

- Vajutage viitkäivituse nuppu üks kord.
- „3h“ näidik lülitub sisse.
- Vajutage viitkäivituse nuppu korduvalt kuni süttib soovitud seadistusega (3, 6, 9 või 12 tundi) näidikutuli.
- Kui olete soovitud viitkäivituse aja vahele jätnud, siis jätkake viitkäivituse nupu vajutamist kuni soovitud aeg kuvatakse uuesti.
- Valitud viitkäivituse aja aktiveerimiseks vajutage mistahes täiendava funktsiooni nuppu (välja arvatud Start/Pause (käivitamine/peatamine) nuppu).



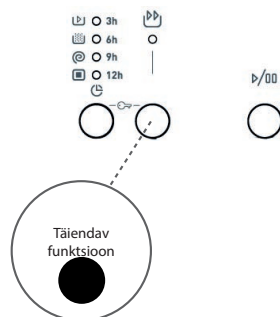
- Viitkävitusse mahaloenduse alustamiseks kasutage START/PAUSE nuppu.
- Viitkävitusse funktsiooni tühistamiseks pärast selle seadistamist, vajutage üks kord viitkävitusse nuppu. Viitkävitusse näidikutuli kustub.
- Aktiveeritud viitkävitusse ajal pesu lisamiseks/eemaldamiseks peate vajutama Start/Pause nuppu. Pärast pesu lisamist/eemaldamist peate viitkävitusse funktsiooni aktiveerimiseks uuesti vajutama Start/Pause nuppu.

## Kiirpesu: täiendav funktsioon

Selle funktsiooni kasutamisega saate pesu pesta lühema aja jooksul ja kasutades vähem energiat ja vett.

Soovitame seda võimalust kasutada ainult siis, kui pesete valitud programmi korral vähem kui pool maksimaalsest kuiva pesu kogusest. Selle funktsiooni valimiseks vajutage Quick Wash (kiirpesu) nuppu. Kiirpesu näidikutuli süttib.

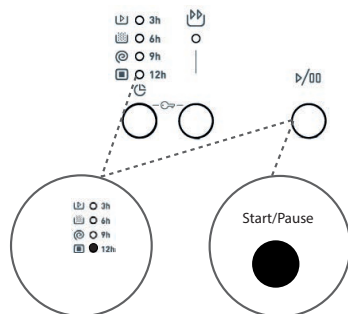
**MÄRKUS:** Kui lisate pesumasinasse vähem kui pool maksimaalsest pesukogusest, siis seadistab pesumasin automaatselt poole koguse funktsiooni sõltumata valitud programmist. See tähendab, et valitud programmi lõpetamiseks kulub vähem aega ning pesumasin kasutab vähem vett ja energiat. Kui teie pesumasin tuvastab poole pesukoguse, siis ilmub kuarile automaatselt Quick Wash (kiirpesu) sümbol.



## Käivitamise/peatamise nupp

Valitud programmi käivitamiseks vajutage Start/Pause nuppu.

Töörežiimi (pesemimine) näidikutuli lülitub sisse.



## Lapselukk

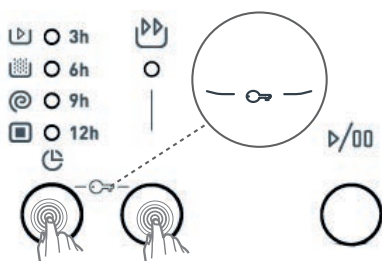
Lapseluku funktsioon võimaldab teil nupud lukustada, et valitud pesutsükli ei saaks juhuslikult muuta.

Lapseluku aktiveerimiseks vajutage samaaegselt täiendavate funktsioonide nuppu ja hoidke neid vähemalt 3 sekundit allavajutatud asendis. Kui lapselukk on aktiivne, siis on täiendava funktsiooni näidikutuli sisse lülitatud.

Kui vajutate aktiveeritud lapseluku korral mistahes nuppu või muudate programmi valijaga valitud programmi, siis hakkab ekraanil vilkuma täiendava funktsiooni näidikutuli.

Kui pesumasin juba peseb ja lapselukk on aktiveeritud ning te püüate muuta programmi pöörates programmi valijat „0“ asendisse ja seejärel vajalikule programmile, siis jätkab pesumasin pesemist ilma muutuseta.

Lapseluku deaktiveerimiseks vajutage samaaegselt täiendavate funktsioonide nuppu ja hoidke neid vähemalt 3 sekundit allavajutatud asendis.



## Programmi tühistamine

### Valitud programmi saab tühistada mistahes ajal:








1. Pöörake programmi selektor „0“ asendisse.
  2. Pesumasin peatab pesemistsükli ja programm tühistatakse.
  3. Laske vesi pesumasinast välja pöörates PROGRAMMI valija mistahes muu programmi peale.
  4. Teie pesumasin laseb vee välja ja tühistab programmi.
- Nüüd saate valida ja käivitada uue programmi.

## Programmi lõpp

Teie pesumasin peatub ise valitud programmi lõpus.

- Paneelile ilmub programmi lõpu näidikutuli.
- Nüüd saate avada pesumasina ukse ja pesu välja võtta.
- Jätke pesumasina uks avatuks, et lasta pesumasina sisemusel kuivada.
- Pöörake programmi valija „0“ asendisse.
- Ühendage pesumasin toitevõrgust lahti.
- Sulgege veekraan.

## PROGRAMMIDE TABEL

Programm	Temperatuur (°C)	Kuiva pesu maksimaalne kogus (kg)	Sahtel	Pikkus (minutid)	Pesu tüüp/Kirjeldus
COTTON 90° (PUUVILL 90°)	90	5,0	2	176	Tugevasti määratud, puuvillane ja linane pesu. (Aluspesu, voodipesu, laudlinad, käterätikud (maksimaalselt 2,5 kg), voodilinaid jne)
Prewash – Cotton (Eelpesu - Puuvill)	60	5,0	1+2	156	Määratud puuvillased ja linsed kangad. (Aluspesu, voodipesu, laudlinad, käterätikud (maksimaalselt 2,5 kg), voodilinaid jne)
COTTON 60 °C (Puuvill 60 °C)	60	5,0	2	190	Määratud puuvillased ja linsed kangad. (Aluspesu, voodipesu, laudlinad, käterätikud (maksimaalselt 2,5 kg), voodilinaid jne)
ECO 40-60 (Säästu 40-60)	40	5,0	2	180	Määratud puuvillased ja linsed kangad. (Aluspesu, voodipesu, laudlinad, käterätikud (maksimaalselt 2,5 kg), voodilinaid jne)
COTTON 20 °C (Puuvill 60 °C)	20	2,5	2	96	Vähem määratud puuvillased ja linsed kangad. (Aluspesu, voodipesu, laudlinad, käterätikud (maksimaalselt 2 kg), voodilinaid jne)
Synthetics  (Süntheetika)	40	3,0	2	110	Tugevasti määratud süntheetilised kangad. (Nailonsukad, T-särigid, pluusid, süntheetilised segukangad, jne)
WOOL  (Vill)	30	2,0	2	39	Villane pesu koos sildiga, mis lubab masinpesu.
RINSE  (Loputus)	--	5,0	--	36	Mistahes pesutüübi täiendav loputamine pärast pesemist.
SPINNING  (Tsentrifuugimine)	--	5,0	--	15	Mistahes pesutüübi täiendav tsentrifuugimine pärast pesemist.
DELICATE / HAND  (Õrn pesu/ Käsipesu)	30	2,0	2	90	Pesu, mille pesemisel soovitatakse käsipesu või õrna pesu.
COLORED 40 °C  (Värviline 40 °C)	40	3,0	2	180	Vähem määratud puuvillased ja linsed kangad. (Aluspesu, voodipesu, laudlinad, käterätikud (maksimaalselt 2 kg), voodilinaid jne)
MIXED (Segupesu)	30	3,0	2	81	Saate koos pesta määratud puuvillaseid, süntheetilisi, värvitud või linsed kangaid.
BLOUSES / SHIRTS  (Pluusid/ Särigid)	60	3,0	2	107	Saate koos pesta määratud puuvillaseid, süntheetilisi kangaid ja süntheetilisi segukangaid, T-särke, pluuse.

Programm	Temperatuur (°C)	Kuiva pesu maksimaalne kogus (kg)	Sahtel	Pikkus (minutid)	Pesu tüüp/Kirjeldus
QUICK 60 min. (Kiirpesu 60 minutit)	60	2,0	2	60	Selle programmiga saab pesta määratud puuvillaseid, värvilisi ja linaseid kangaid 60°C juures 60 minuti jooksul.
QUICK 15 min. (Kiirpesu 15 minutit) *	30	2,0	2	15	Kergelt määratud puuvillased, linased ja värvitud kangad.

\* Tingituna lühikesest pesemisajast soovitame kasutada vähem pesuainet. Kui pesumasin tuvastab ebaühtlase koormuse, siis võib programm kesta kauem, kui 15 minutit. Pesumasina ukse saate avada 2 minutit pärast pesemistsükli lõppu. (See kaheminutiline ajavahemik ei ole lisatud programmi kestusesse).

**MÄRKUS:** PROGRAMMI KESTUS VÕIB MUUTUDA SÕLTUVALT PESU KOGUSED, VEE TÜÜBIST, VÄLISKESKKONNA TEMPERatuurIST JA VALITUD TÄIENDAVATEST FUNKTSIOONIDEST.

- Kui laete pesumasinasse 2 kg või vähem pesu, siis käivitab pesumasin 30 minuti pikkuse automaatse tsükli.
- Tingituna lühikesest pesemisajast soovitame kasutada vähem pesuainet. Kui pesumasin tuvastab ebaühtlase koormuse, siis võib programm kesta kauem, kui 15 minutit. Pesumasina ukse saate avada 2 minutit pärast pesemistsükli lõppu. (See kaheminutiline ajavahemik ei ole lisatud programmi kestusesse).
- Vastavalt määrustele 1015/2010 ja 1061/2010 on programm 3 temperatuurivalikutega „Standardprogramm puuvillale 60° C“ ja „Standardprogramm puuvillale 40° C“.
- Eco 40-60 programm võimaldab samaaegselt pesta normaalselt määratud puuvillaseid kangaid soovitatud pesutemperatuuril 40° C või 60° C samas tsükli ja seda kasutatakse EL ökodisaini seadusandlusega seotud vastavuse hindamiseks.
- Kõige energiatõhusamad programmid on tavaliselt programmid, mis pesevad kauem ja madalatel temperatuuridel.
- Kodumajapidamises kasutatava pesumasina täitmine vastavalt programmide jaoks ette nähtud mahuni aitab kokku hoida energiat ja vett.
- Programmi kestus, energia- ja veetarbimine väärtused võivad varieeruda sõltuvalt pesu kaalust ja tüübist, valitud lisafunktsioonidest, vee tüübist ja ümbritseva keskkonna temperatuurist.
- Madalatel temperatuuridel toimivate pesuprogrammide jaoks on soovitatav kasutada vedelat pesuvahendit. Pesuaine kogus sõltub pesu kogusest ja määrdumisastmest. Järgige kasutatava pesuaine kogusega seotud tootja juhiseid.
- Tsentrifuugimise kiirus mõjutab müra ja jääkniiskuse sisaldust. Mida suurem on tsentrifuugimise kiirus, seda suurem müra ja väiksem jääkniiskuse sisaldus.
- Te võite saada juurdepääsu toote salvestatud andmebaasile lugedes mudeliteavet energiamärgisel oleva QR-koodi abil.

## Oluline teave

- Kasutage ainult automaatpesumasinatele sobivaid pesuaineid, kangapehmedajaid ja tarvikuid. Liiga suure pesuaine koguse kasutamine põhjustab ülemäärase vahu tekkimise ja vahu automaatse absorptsioonisüsteemi käivitamise.
- Soovitame pesumasinat regulaarselt puhastada iga 2 kuu järel. Kasutage regulaarseks puhastamiseks Drum Clean (trumli puhastamine) programmi. Kui teie pesumasinal ei ole Drum Clean programmi, siis kasutage Cotton 90 programmi. Vajadusel kasutage pesumasinatele ettenähtud sobivad katlakivieemaldusvahendeid.
- Ärge kunagi avage pesumasina töötamise ajal selle ust. Pesumasina ukse saate avada 2 minutit pärast pesemistsükli lõppu.
- Võimalike riskide vältimiseks peab paigaldus- ja remonditöid tegema alati volitatud hooldusettevõtte esindaja. Tootja ei vastuta kahjude eest, mis võivad ilmneda volitamata isikute teostatud tegevuste käigus.

# HOOLDAMINE JA PUHASTAMINE

## Hoiatus

Enne hooldust ja puhastamist lülitage seade välja ja ühendage lahti toitevõrgust. Enne pesumasina hooldust ja puhastamist keerake kinni veekraan.

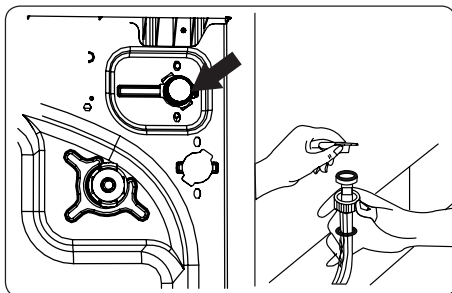
Ärge kasutage masina puhastamiseks lahusteid, abrasiivseid puhastusvahendeid, klaasi puhastusvahendeid ja universaalseid puhastusvahendeid. Nendes sisalduvad kemikaalid võivad kahjustada seadme ja muude komponentide plastpindasid.

## Veefiltrid

Veefiltrid takistavad mustuse ja võõrkehade sattumist pesumasinasse.

Soovitame need filtrid puhastada kohe, kui pesumasinasse ei voola piisavalt vett, kuigi veevarustus on sisse lülitatud ja kraan on avatud. Soovitame neid filtreid puhastada iga 2 kuu järel.

- Keerake veerorud pesumasina küljest lahti.
- Täiteventiilist veefiltri eemaldamiseks kasutage pikki näpitasid ja eemaldage filtrist ettevaatlikult plastvarras.
- Teine veefilter asub veekraaniga ühendatud toru otsas. Teise veefiltri eemaldamiseks kasutage pikki näpitasid ja eemaldage filtrist ettevaatlikult plastvarras.
- Puhastage filtrit põhjalikult pehme harjaga, peske seebiveega ja loputage põhjalikult. Suruge filter ettevaatlikult oma kohale.



**TÄHELEPANU:** Veeventiili filtrid võivad olla ummistunud halva veekvaliteedi või ebapiisava hoolduse tõttu ning nad võivad olla kahjustatud. See võib põhjustada veelekkeid. Sellised talitlushäired ei kuulu garantii korras hüvitamisele.

## Pumba filter

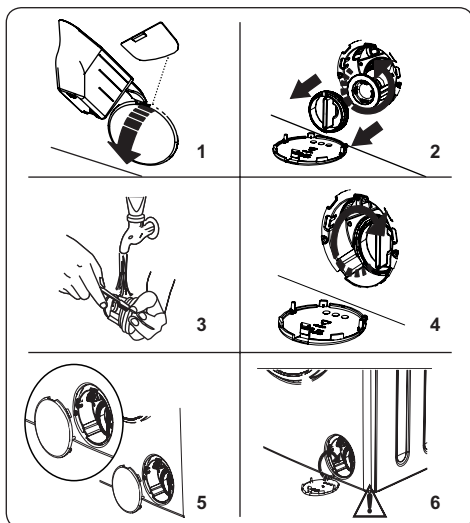
Teie pesumasina pumba filtreerimissüsteem pikendab pumba eluiga, takistades mustuse sattumist pesumasinasse. Soovitame pumba filtrit puhastada iga 2 kuu järel.

Pumba filter asub alumises parempoolses esinurgas, kate taga.

Pumba filtri puhastamine:

1. Avage kate. Võite kasutada vedela pesuvahendi jaotusplaati, vaadake joonist.
2. Sisestage pesuvahendi mõõtekopsik või vedela pesuvahendi tasememõõdik kate avasse ja suruge seda ettevaatlikult tahapoole. Kate avaneb.
3. Enne avamist asetage filtrikatte alla mahuti, kuhu saab voolata pesumasinasse jäänud vesi.
4. Vabastage filter pöörates seda vastupäeva ning laske veel välja voolata. Oodake, kui vesi voolab välja.

**MÄRKUS:** Sõltuvalt vee kogusest pesumasinas, võite vee kogumismahutit tühjendada mitu korda.



5. Filtrist võõrkehade eemaldamiseks kasutage pehmet harja.
6. Pärast puhastamist asetage filter tagasi ja pöörake see vastupäeva kinni.
7. Filtrikatte sulgemisel veenduge, et katte sisemised kinnitusklambrid sobiksid esipaneeli avadega.
8. Sulgege filtrikatte.

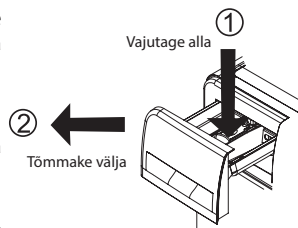
**HOIATUS:** Pumbas olev vesi võib olla kuum, oodake enne puhastamist või hooldamist kuni see maha jahtub.

## Pesuainesahtel

Pesuvahendi kasutamine võib põhjustada pesuaine sahtlisse jääkide kogunemise. Soovitame pesuaine sahtlit iga 2 kuu järel eemaldada ja puhastada.

Pesuainesahtli eemaldamine:

- Tõmmake sahtel ettepoole välja.
- Vajutage sahtlile ettevaatlikult (vaadake alljärgnevat joonist) ja tõmmake sahtel välja.
- Puhastage sahtlit vee ja pehme harjaga.
- Sahtlis mustuse olemasolul eemaldage see pehme harjaga. Veenduge, et pesumasinasse ei satuks mingit jääkmustust.
- Kuivatage sahtel põhjalikult ja libistage tagasi oma kohale.
- **Ärge peske pesuainesahtlit nõudepesumasinas.**



## Loputuskork/ korpused / trummel

### 1. Loputuskork

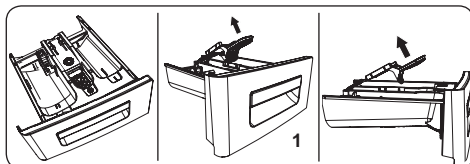
Eemaldage pesuainesahtel ja eemaldage loputuskork. Eemaldage põhjalikult järelejäänud kangapehmentaja. Pärast puhastamist asetage loputuskork tagasi oma kohale ja kontrollige, et see on nõuetekohaselt kinnitatud.

### 2. Korpused

Kasutage korpuse välispinna puhastamiseks mitteabrasiivset puhastusvahendit või seepi ja vett. Pühkige välispind kuivaks puhta lapiga.

### 3. Trummel

Ärge jätke pesumasinasse mistahes metallesemeid, nagu näiteks nõelu, klambreid, münte jne. Need esemed võivad põhjustada trumli roostetamist. Rooste puhastamiseks kasutage kloorivaba puhastusvahendit ja järgige puhastusvahendi tootja juhiseid. Ärge kunagi kasutage roosteplekkide eemaldamiseks küürimispatju või muid sarnaseid kõvasid puhastusvahendeid.



## VEAOTSING

Pesumasinat peab remontima volitatud teenindustöötaja. Kui masin vajab remonti või kui te ei suuda probleemi alljärgnevate juhiste abil lahendada, siis peaksite:

- Ühendage pesumasin toitevõrgust lahti.
- Sulgege veekraan.



VIGA	VÕIMALIK PÕHJUS	VEAOTSING
Pesumasin ei lülitu sisse.	Pesumasin ei ole ühendatud toitevõrguga.	Ühendage pesumasin toitevõrguga.
	Sulavkaitsmed on defektsed.	Vahetage sulavkaitsmed.
	Puudub elektrivool.	Kontrollige toitesüsteemi.
	Start/Pause nuppu ei ole vajutatud.	Vajutage Start/Pause
	Programmi valija on „Stop“ asendis.	Pöörake programmi valija vajalikku asendisse.
	Pesumasina uks ei ole suletud.	Sulgege pesumasina uks.
Pesumasinat ei saa täita veega.	Veekraan on suletud.	Avage veekraan.
	Veetoru on keerdus.	Kontrollige veetoru ja harutage see lahti.
	Veetoru on ummistunud.	Puhastage sisendvooliku filtrid. (*)
	Sisendfilter on ummistunud.	Puhastage veefiltrid. (*)
	Pesumasina uks ei ole suletud.	Sulgege pesumasina uks.
Pesumasin ei pumpa vett välja.	Tühjendusvoolik on ummistunud või keerdus.	Kontrollige tühjendusvoolikut ning seejärel puhastage see ja harutage lahti.
	Pumba filter on ummistunud.	Puhastage pumba filter. (**)
	Pesu on trumliste liiga tugevasti sisse pressitud.	Asetage pesu ühtlaselt pesumasinasse.
Pesumasin vibreerib.	Tugijalg ei ole reguleeritud.	Reguleerige tugijalga. (**)
	Transportimiskruvid ei ole eemaldatud.	Eemaldage pesumasinast transportimiskruvid. (**)
	Trumlis on liiga vähe pesu.	See ei takista pesumasina töötamist.
	Pesumasin on pesuga ülekoormatud või pesu ei ole jaotatud ühtlaselt.	Vältige trumli ülekoormamist. Jaotage pesu pesumasinasse ühtlaselt.
	Pesumasin on paigutatud kõvale pinnale.	Ärge paigutage pesumasinat kõvale pinnale.
Pesuainesahtlisse tekib liiga palju vahtu.	Pesuainet on liiga palju.	Vajutage Start/Pause nuppu. Vahu tekkimise ärahoidmiseks segage üks teelusikastäis kangapehmendajat 1/2 liitris vees ja kallake pesuainesahtlisse. Vajutage 5 – 10 minuti möödudes Start/Pause nuppu.
	Kasutati mittesobivat pesuainet.	Kasutage ainult automaatsetele pesumasinatele ettenähtud pesuaineid.


VIGA	VÕIMALIK PÕHJUS	VEAOTSING
Ebarahuldavad pesemistulemused.	Teie pesu on valitud programmi jaoks liiga määrdunud.	Kasutage programmide tabelis toodud teavet ja valige kõige sobivam programm.
	Kasutati liiga vähe pesuainet.	Kasutage pesuaine õiget kogust vastavalt pakendi juhistelet.
	Pesumasinas on liiga palju pesu.	Kontrollige, et valitud programmi maksimaalset pesukogust ei ole ületatud.
	Kare vesi.	Suurendage vastavalt pesuaine tootja juhistele pesuaine kogust.
	Pesu on trumliste liiga tugevasti sisse pressitud.	Veenduge, et pesu on trumlis ühtlaselt jaotatud.
Kohe pärast pesumasina veega täitmist, voolab vesi välja.	Äravoolumotori ots on pesumasina jaoks liiga madalal.	Kontrollige, et äravoolumotori on õigel kõrgusel. (**).
Pesemise ajal ei näe trumlis vett.	See ei ole talitushäire. Vesi on trumli osas, mis ei ole nähtav.	-
Pesuaine jäägid on pesu külge kleepunud.	Mõnede pesuainete lahustamatud osakesed ilmuvad teie pesul valgete plekkidena.	Pärast kuivamist teostage veel üks loputus või puhastage pesu harjaga.
Pesule ilmuvad hallid plekid.	Teie pesul on pesemata õli, kreem või salv.	Kasutage järgmisel pesukorral pesuaine õiget kogust vastavalt pesuaine pakendi juhistelet.
Tsentrifuugimistsüklil ei alga või algab eeldatavast hiljem.	See ei ole talitushäire. Aktiveeriti pesumasina tasakaalustamata koormuse tuvastamise süsteem.	Tasakaalustamata koormuse reguleerimissüsteem üritab trumlis pesu ühtlaselt jaotada. Tsentrifuugimine algab siis, kui pesu on jaotatud. Järgmise pesukorra ajal laotage pesu trumlis ühtlasemalt.

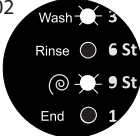
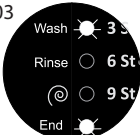

(\*) Vaadake pesumasina hooldamise ja puhastamise peatükki.

(\*\*) Vaadake pesumasina paigaldamise peatükki.

## Veakoodid ja nende lahendus

Teie pesumasin on varustatud sisseehitatud talitushäirete tuvastamise süsteemiga. Talitushäired näidatakse kombinatsioonis põlevate töötledega. Kõige tavalisemad veakoodid on loetletud alljärgnevalt.

VEAKOOD	PÕHJUS	LAHENDUS
E01 	Pesumasina uks ei ole nõuetekohaselt suletud.	Sulgege uks kuni klõpsuni. Kui teie pesumasin näitab ikka veel talitushäiret, siis lülitage pesumasin välja, ühendage see toitevõrgust lahti ja võtke koheselt ühendust lähima volitatud teeninduskeskusega.

VEAKOOD	PÕHJUS	LAHENDUS
E02 	Liiga madal veesurve või madal veetase pesumasina sees.	Kontrollige kas veekraan on täielikult avatud. Veetoru võib olla lahti ühendatud. Probleemi jätkumisel lülitage pesumasin mõne aja pärast automaatselt välja. Ühendage pesumasin toitevõrgust lahti, sulgege veekraan ning võtke ühendust lähima volitatud teeninduskeskusega.
E03 	Vigane pump või ummistunud pumba filter või pumba elektriühenduse rike.	Puhastage pumba filter. Probleemi jätkumisel võtke ühendust lähima volitatud teeninduskeskusega. (*)
E04 	Pesumasinas on ülemäärane veekogus.	Pesumasin laseb ise vee välja. Pärast pesumasinast vee väljavoolamist lülitage pesumasin välja ja ühendage see toitevõrgust lahti. Sulgege veekraan ning võtke ühendust lähima volitatud teeninduskeskusega.

(\*) Vaadake pesumasina hooldamise ja puhastamise peatükki.

## TEHNILISED ANDMED

	<b>EWF 1053 MD</b>
Sisseehitatud seade	Ei
Maksimaalne pesukogus (kuiv pesu) kg	5
Mõõdud (Kõrgus x Laius x Sügavus) [mm]	845 × 597 × 497
Nimipinge	220 - 240 V ~ 50 Hz
Sisendvõimsus	2100 W
Kaane riiv	10 A
Veesurve (MPa) MIN/MAX	0,1 MPa/ 1,0 MPa

## KASUTAMINE JA KASUTUSEST KÕRVALDAMINE

Pakkepaber ja lainepapp – viige jäätmejaama. Pakkekiled, PE kotid, plastist osad – visake plasti utiliseerimiskonteineritesse.

## TOOTE KASUTUSEST KÕRVALDAMINE TÖÖEA LÕPUS

**Elektri- ja elektroonikaseadmete kasutusest kõrvaldamine (kehtib EL-i liikmesriikides ja teistes Euroopa riikides, kus rakendatakse ringlussevõtusüsteemi)**

Näidatud sümbol tootel või pakendil tähendab, et toodet ei tohiks käidelda nagu olmejäätmeid. Viige toode elektri- ja elektroonikaseadmetele ettenähtud ringlussevõtupunkti. Vältige võimalikke negatiivseid mõjusid inimese tervisele ja keskkonnale, tagades oma tootele nõuetekohase ringlussevõtu. Ringlussevõtt aitab säilitada loodusvarasid. Lisateavet selle toote ringlussevõtu kohta saate oma kohalikust omavalitsusest, olmejäätmete käitlemise ettevõttest või poest, kust te toote ostsite.



08/05

See toode vastab Euroopa Liidu elektromagnetilise ühilduvuse ja elektriohutuse direktiivi nõuetele. See toode vastab elektriseadmetes raskemetallide sisalduse nõuetele.



Kasutusjuhend on kättesaadav Internetis [www.ecg-electro.eu](http://www.ecg-electro.eu) veebilehel.

Teksti ja tehniliste parameetrite muutmise õigused on kaitstud.

## SIGURNOSNE UPUTE

### Pročitajte pažljivo i sačuvajte za buduću uporabu!

**Pozor:** Mjere opreza i upute ne pokrivaju sve moguće uvjete i opasnosti do kojih može doći. Korisnik treba biti svjestan da faktore sigurnosti, kao što su oprezno, brižno i razumno rukovanje, nije moguće ugraditi u proizvod. Zbog toga sâm korisnik ovog uređaja treba osigurati prisutnost tih sigurnosnih faktora. Nismo odgovorni za štete nastale prijevozom, nepravilnim korištenjem, promjenama napona te modificiranjem ili zamjenom bilo kojeg dijela uređaja.

Slijedite upute u navedene u ovom priručniku. Prije prve uporabe pažljivo pročitajte čitave upute i čuvajte ih za buduću uporabu.

Kako ne bi došlo do požara ili ozljede od udara električne struje, pri uporabi električnih uređaja uvijek se trebaju poštovati temeljne sigurnosne upute među kojima su i sljedeće:

1. Provjerite odgovara li napon struje na vašoj utičnici onomu koji je naveden na pločici vašeg uređaja. Radi vlastite sigurnosti, umetnite utikač kabela za napajanje u pravilno uzemljenu tropolnu utičnicu instaliranu u skladu s važećim električnim standardom HRN u skladu s uputama proizvođača i lokalnim sigurnosnim propisima.
2. Ne upotrebljavajte uređaj ako je kabel za napajanje oštećen. Spoj uređaja na električnu mrežu i priključak vode, popravak ili podešavanje, uključujući i zamjenu napajanja povjerite ovlaštenom servisu! Ne skidajte sigurnosni poklopac uređaja kako ne bi došlo do opasnosti od električnog udara!
3. Nemojte uključivati ni isključivati kabel za napajanje iz izvora napajanja mokrim rukama. Tako ćete izbjeći rizik od ozljede udara električne struje.
4. Nemojte dodirivati uređaj mokrim rukama ili nogama.
5. Nakon ugradnje uređaja njegov utikač mora biti lako dostupan. Nemojte rezati kabel i ne koristite produžni kabel ili razvodnik. Kabel se mora pružati na način da ne dolazi u dodir s vrućim predmetima i ne prelazi preko oštih rubova.

6. Nemojte uređaj ni uključivati ni isključivati uključivanjem i isključivanjem utikača u i iz utičnice. Ne izvlačite utikač iz utičnice povlačenjem za kabel. Kabel odspojite iz mreže tako što ćete primiti utikač i izvući ga. Nakon uporabe uvijek isključite okretni prekidač u položaj OFF, odvojite uređaj od napajanja i zatvorite dovod vode.
7. Ne postavljajte uređaj na tepihe ili slične površine koje bi mogle blokirati ventilacijske otvore na bazi.
8. Nikada niti jedan predmet ne stavljajte u otvore uređaja, a na njega nemojte stavljati nikakve predmete (kao što su vaze, zdjele i slično).
9. Ne stavljajte cijev za ispuštanje vode vašeg stroja u umivaonik, kantu ili sudoper.
10. Ne dopustite djeci da se igraju s uređajem. Onemogućite djeci ili životinjama pristup uređaju. **Djeca mlađoj od 3 godine treba biti onemogućen pristup, osim kada su pod stalnim nadzorom.**
11. Čuvajte male dijelove koji se mogu naći u vrećici s dokumentacijom izvan dohvata djece.
12. Ne izlažite uređaj izravnim sunčevim zrakama, ne upotrebljavajte ga na otvorenom i ne ostavljajte ga na kiši.
13. Ne ostavljajte zapaljive tekućine u blizini aparata.
14. U perilici ne perite predmete koji su očišćeni, oprani, namočeni ili zamrljani zapaljivim ili eksplozivnim tvarima (vosak, ulje, boja, benzin, odmašćivači, kemijska otapala, petrolej itd.). Zabranjena je uporaba lako zapaljivih i eksplozivnih ili otrovnih otapala. Nemojte koristiti benzin, alkohol i drugo umjesto deterdženta. To bi moglo dovesti do požara ili eksplozije. **Zabranjeno je pranje tepiha.**
15. Ne dodirujte perilicu mokrim rukama dok radi. Nikada ne otvarajte ladicu deterdženta ili vrata stroja tijekom pranja i centrifugiranja.
16. Ne dirajte tijekom pražnjenja odvodno crijevo i ispuštenu vodu. Za vrijeme rada perilice voda može doseći visoke temperature.
17. U slučaju bilo kakvog kvara na uređaju, odmah prekinite dovod električne energije i zatvorite slavinu. Ne pokušavajte sami popraviti uređaj. Obratite se ovlaštenom servisu.
18. Ne zaboravite prije prve uporabe **UKLONITI SIGURNOSNE VIJKE** koji pričvršćuju bubanj tijekom prijevoza. Jamstvo ne pokriva

- štete koje bi na perilici mogle nastati pokretanjem dok su još postavljeni sigurnosni vijci.
19. Uređaj je namijenjen isključivo za kućnu upotrebu i za pranje samo tekstilnih materijala. U slučaju komercijalne uporabe ili uporabe koja nije u skladu s ovim priručnikom, jamstvo prestaje važiti.
  20. Ova perilica rublja namijenjena je samo za upotrebu u unutarnjim prostorima.
  21. Uređaj ne instalirajte u mokre ili vlažne prostorije, kao ni u prostorije s eksplozivnim ili korozivnim plinovima.
  22. Djeca starosti od 8 godina i više, osobe smanjenih fizičkih ili umnih sposobnosti ili osobe s nedostatkom iskustva smiju upotrebljavati ovaj uređaj samo ako su pod nadzorom ili ih je iskusnija osoba uputila u siguran način uporabe te razumiju sve opasnosti povezane s uporabom. Poslove čišćenja i održavanja koje obavlja korisnik ne smiju raditi djeca osim ako su starija od 8 godina i pod nadzorom. Djeca mlađa od 8 godina moraju se držati podalje od uređaja i izvora napajanja..
  23. Jamstvo će postati nevažeće bilo kojom intervencijom na uređaju koju ne obavi zaposlenik ovlaštenog servisa.
  24. Jamstvo ne pokriva oštećenja uzrokovana vanjskim utjecajima (poplave, kemikalije, požar itd.).
  25. Proizvođač ne odgovara za bilo kakvu štetu koja bi bila prouzročena nepravilnim uzemljenjem/korištenjem. **VISOKI NAPON!  
OPASNOST OD OZLJEDA!**

## PREPORUKA

- Prije upotrebe nove perilice rublja obratite se kvalificiranom instalateru ili ovlaštenom servisu kako bi vam pomogli postaviti je i pustiti u rad.
- Postavite perilicu na prozračno mjesto gdje postoji stalno kruženje zraka. Postavite uređaj tako da se vrata za pranje mogu potpuno otvoriti. Perilica rublja nije namijenjena za ugradnju i instaliranje u garniturama namještaja.
- Za rad perilice idealna temperatura okoline je od 15 °C do 25 °C.
- Smrznuta crijeva za vodu može ispucati i puknuti. U onim područjima u kojima temperatura pada ispod nule, niska temperatura može ugroziti siguran rad elektroničkih sklopova.
- Prvi ciklus pranja preporučamo provesti bez rublja na programu „90° bijeli pamuk“, tako da u ladicu za deterđent, u drugi pretinac, uspete ½ mjerne šalice deterđenta.
- Budući da trajnija izloženost zraku može dovesti do taloženja deterđenta za pranje rublja ili omekšivača, deterđent i omekšivač uspite u ladicu tek neposredno prije planiranog pranja.
- Program pretpranje preporučuje se koristiti samo za vrlo prljavo rublje.

- Količina rublja stavljena u stroj ne smije prelaziti maksimalno dozvoljenu količinu. Inače će se uređaj pokrenuti u sigurnom načinu rada.
- Perilicu koristite samo za pranje rublja koje je proizvođač označio kao prikladno za pranje u perilici.
- Kada koristite omekšivač i slične proizvode u vašoj perilici, slijedite preporuke proizvođača deterdženta / omekšivača.
- Uvjerite se da u džepovima odjeće koju stavljate u perilicu nema stranih tijela (čavli, igle, kovanice, upaljači, šibice, spajalice, itd). Ti strani predmeti mogu oštetiti perilicu.
- Pranje jako prašnjave odjeće šteti perilici. Vrlo prašnjavu odjeću protresite prije stavljanja u perilicu.
- Nikada ne otvarajte ladicu za deterdžent za rublje tijekom rada uređaja.
- Ne otvarajte vrata silom tijekom rada perilice.
- Prije otvaranja vrata provjerite da u bubnju nije ostalo vode. Ne otvarajte vrata perilice rublja ako se vidi voda.
- Na kraju programa pričekajte najmanje 2 minute, a zatim otvorite vrata.
- Sumpor koji je sastojak izbjeljivača mrlja može uzrokovati koroziju. Iz tog razloga, nikada ne koristite izbjeljivače. Nikada nemojte koristiti tvari koje sadrže otapala (npr. tehnički benzin) za čišćenje perilice.
- Ako perilicu nećete koristiti neko duže vrijeme, isključite je iz mreže, zatvorite dovod vode i ostavite vrata otvorena. Unutarnji prostor će tako ostati suh i bez mirisa.
- Nakon završne kontrole, na kraju proizvodnog procesa, u stroju može ostati mala količina vode koja ne predstavlja opasnost za ispravnost vašeg stroja.

### Opasnost od poplava

- Upotrijebite novi komplet crijeva isporučenih s uređajem
- Ne upotrebljavajte stari komplet crijeva.
- Nakon upotrebe uvijek isključite aparat iz napajanja i isključite dovod vode.
- Ne stavljajte cijev za ispuštanje vode vašeg stroja u umivaonik, kantu ili sudoper.

### Opasnost od pada ili ozljede

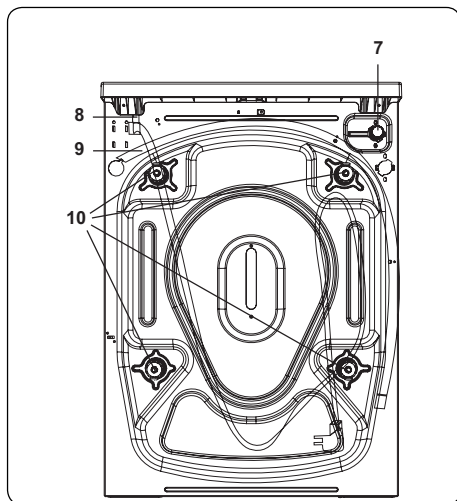
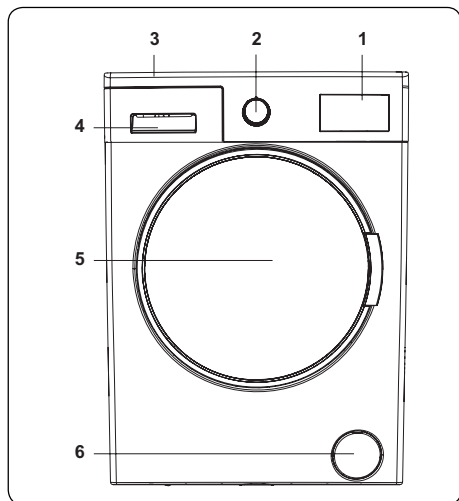
- Ne penjite se i ne sjedite na perilici rublja. Gornja ploča mogla bi se slomiti i mogli biste se ozlijediti.
- Ne naslanjajte se na vrata. Ne zatvarajte ih silom. Ako je teško zatvoriti vrata, pobrinite se da u perilici nema previše odjeće i da je dobro raspoređena.
- Osigurajte da su crijevo za ispuštanje vode i kabel za dovod struje sigurni nakon ugradnje. Spoticanje i pad mogu uzrokovati ozljede.
- Ne okrećite uređaj naopako ili postrance.
- Nemojte podizati perilicu za izbočene dijelove (ladica za deterdžent, vrata). To bi moglo dovesti do oštećenja perilice ili ozljede.
- Manipulacija perilicom zahtijeva najmanje dvije osobe.

### Sigurnost djece

- Djeci mlađoj od 3 godine treba biti onemogućen pristup, osim kada su pod stalnim nadzorom. Ne ostavljajte djecu bez nadzora u blizini perilice. Djeca se mogu zatvoriti u perilicu, a to može imati najteže moguće posljedice.
- Staklena vrata i površine perilice mogu biti vrlo vruće za vrijeme rada. Zaštitite malu djecu i životinje od dodirivanja tih površina.
- Pohranite ambalažu izvan dohvata djece. Postoji opasnost od gušenja
- Gutanje deterdženta može izazvati trovanje, a kontakt s kožom ili očima može izazvati nadražaj. Sredstva za pranje držite izvan dohvata djece.



## OPIS

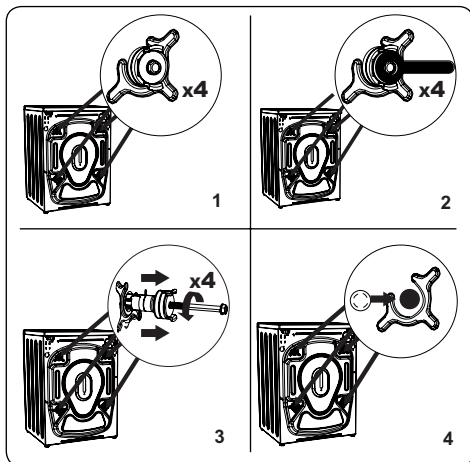


1. Digitalni zaslon
2. Odabir programa
3. Gornji poklopac
4. Odjeljak za deteržent
5. Bubanj
6. Poklopac filtra crpke
7. Ventil za dovod vode
8. Kabel za napajanje
9. Odvodno crijevo
10. Transportni vijci

## INSTALACIJA

### Uklanjanje transportnih vijaka

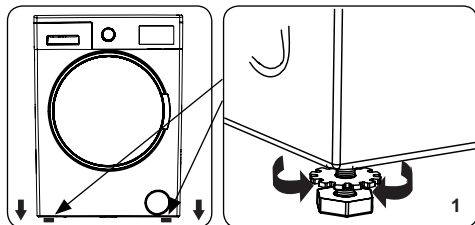
1. Prije pokretanja perilice, uklonite 4 transportna vijka i gumene podloške sa stražnje strane perilice. Ako se vijci ne uklone, mogu uzrokovati jake vibracije, buku i kvar na perilici rublja te će poništiti jamstvo.
2. Otpustite transportne vijke okrećući ih odgovarajućim ključem u smjeru kazaljke na satu.
3. Uklonite transportne vijke tako da ih ravno izvlačite.
4. Umetnite plastične čepove koji su isporučeni u vrećici zajedno s uređajem u rupe preostale nakon uklanjanja transportnih vijaka. Transportne vijke treba zadržati za buduću upotrebu.



**Napomena:** Uklonite transportne vijke prije prve upotrebe perilice za pranje rublja. Kvarovi uzrokovani radom perilice s ugrađenim transportnim vijcima nisu pokriveni jamstvom.

## Podešavanje nožica za izravnavanje / podešavanje podesivih zaustavljača

1. Nemojte instalirati perilicu na površinu (npr. tepih) koja bi spriječila provjetranje odozdo.
- Da biste osigurali tihi rad bez vibracija, postavite ju na čvrstu površinu.
- Perilicu možete poravnati pomoću podesivih nožica.
- Otpustite plastičnu sigurnosnu maticu.
2. Da biste povisili perilicu, okrenite nožice u smjeru kazaljke na satu. Da biste snizili perilicu, okrenite nožice u smjeru suprotnom od kazaljke na satu.
- Kad je perilica u vodoravnom položaju, zategnite sigurnosne matice okrećući ih u smjeru kazaljke na satu.
3. Nikada nemojte ispod perilice umetati karton, drvo ili druge slične materijale.
- Pri čišćenju i pranju poda na koji je postavljena perilica pazite da ne poremetite vodoravni položaj perilice.



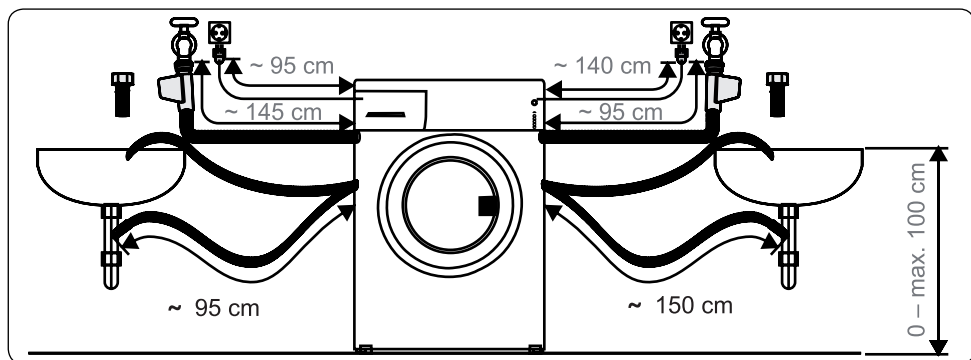
## Spajanje na dovod električne struje

- Stroj za pranje rublja zahtijeva mrežno napajanje od 220-240 V, 50 Hz.
- Kabel za napajanje vaše perilice rublja opremljen je uzemljenim utikačem. Ovaj utikač uvijek treba umetnuti u utičnicu s uzemljenjem od 10 A.
- Ako nemate odgovarajuću utičnicu i uzemljeni osigurač, obratite se kvalificiranom električaru.
- Ne odgovaramo za bilo kakvu štetu nastalu povezivanjem uređaja na neuzemljenu utičnicu.

**Napomena:** Rukovanje perilicom rublja na niskom naponu skraćuje vijek trajanja i smanjuje performanse.

## Crijevo za dovod vode

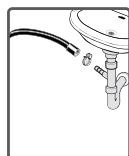
1. Ovisno o specifikacijama perilice, vaša perilica rublja može biti priključena na dovod hladne vode ili na hladnu i toplu vodu. Crijevo s bijelim čepom treba spojiti na dovod hladne vode, a crijevo s crvenim čepom na dovod tople vode (ako je dostupno).
- Da biste spriječili istjecanje vode u spojeve, u pakiranju crijeva isporučuju se 1 ili 2 matice (ovisno o modelu vaše perilice rublja). Pričvrstite ove matice na kraj dovodnog crijeva koje se spaja na dovod vode.
2. Spojite nova dovodna crijeva na slavinu za vodu s navojem  $\frac{3}{4}$  ".
- Spojite bijeli kraj dovodnog crijeva na bijeli dovodni ventil na stražnjoj strani perilice, a crveni kraj crijeva na crveni dovodni ventil (ako se koristi).
- Ručno pritegnite spojeve. Ako sumnjate u svoje sposobnosti, obratite se kvalificiranom vodoinstalateru.
- Protok vode s tlakom od 0,1 - 1 MPa omogućit će vašoj perilici rukavica optimalnu učinkovitost (tlak 0,1 MPa znači da više od 8 litara vode u minuti protječe kroz potpuno otvorenu slavinu).
3. Nakon što su sve veze uspostavljene, uključite dovod vode i pažljivo provjerite ima li curenja.
4. Osigurajte da nova crijeva za dovod vode nisu stegnuta, pritisnuta, uvijena, previjena ili naborana.
- Ako je vaša perilica rublja priključena na dovod tople vode, temperatura opskrbe toplom vodom ne smije biti viša od 70 ° C.



**Napomena:** Perilica rublja mora biti spojena na dovod vode samo s novim isporučenim crijevom za dovod. Stara crijeva se ne smiju ponovno koristiti.

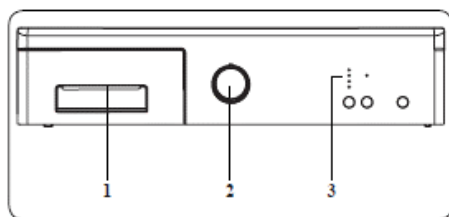
### Spajanje odovoda vode

- Spojite odvodno crijevo na postolje ili na izlazno koljeno na umivaoniku pomoću druge opreme.
- Nikada ne pokušavajte produžiti odvodno crijevo.
- Ne stavljajte crijevo za ispuštanje vode iz perilice u posudu, kantu ili kadu.
- Pazite da odvodno crijevo nije savijeno, previjeno, zgnječeno ili produženo.
- Odvodno crijevo ne smije biti više od 100 cm od tla.



### OPIS UPRAVLJAČKE PLOČE

1. Odjeljak za deterđent
2. Odabir programa
3. Digitalni zaslون i dodatne funkcije



## Odjeljak za deterdžent

1. Odjeljak s tekućim deterdžentom osigurava ravnomjerno doziranje tijekom pranja.
2. Spremnik za deterdžent
3. Spremnik omekšivača
4. Spremnik praška za pranje za pretpranje

## Odjeljci

### Spremnik za prašak za pranje:

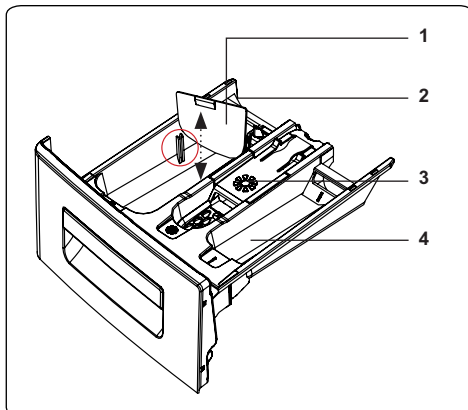
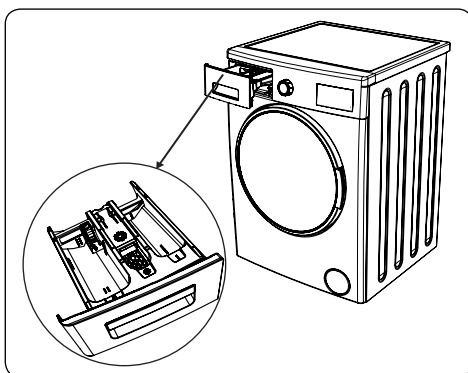
Ovaj odjeljak je određen za tekuće ili praškaste deterdžente ili sredstva za uklanjanje kamenca.

### Omekšivač, škrob, sredstvo za pranje:

Ovaj je odjeljak namijenjen za omekšivače ili škrob. Postupite prema proizvođačevim uputama na ambalaži. Ako omekšivači ostavljaju tragove na rublju nakon upotrebe, pokušajte ih razrijediti ili upotrijebite tekući omekšivač.

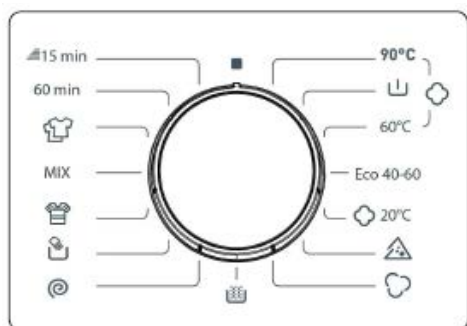
### Spremnik deterdženta za predpranje:

Ovaj spremnik trebali biste koristiti samo ako ste odabrali funkciju predpranja. Funkciju predpranja preporučujemo samo za vrlo prljavu rublju.



## Odabir programa

- Da biste odabrali željeni program, okrenite birač programa u smjeru kazaljke na satu ili u smjeru suprotnom od kazaljke na satu dok oznaka na biraču programa nije usmjerena na odabrani program.
- Provjerite je li birač programa točno na programu koji želite odabrati.

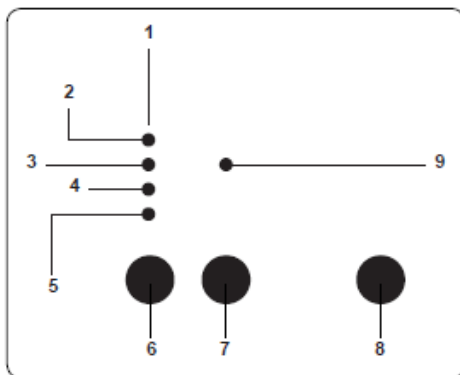


## Digitalni zaslon

1. Upravljačka ploča sa zaslonom
2. Indikator rada (pranja)
3. Pokazivač ispiranja
4. Pokazivač cijeđenja
5. Pokazivač završetka programa
6. Tipka dodatne funkcije odgođenog starta
7. Tipka dodatne funkcije brzog pranja
8. Tipka START/PAUZA:
9. Tipka dodatne funkcije - brzo pranje

Zaslon prikazuje odbrojavanje odgođenog starta (ako je postavljeno), temperaturu, sve dodatne funkcije koje ste odabrali i trenutnu fazu programa koji je pokrenut (predpranje / pranje - ispiranje - centrifuga).

Kad je odabrani program završen, na zaslonu će se pojaviti END (KRAJ). Zaslon također pokazuje ima li perilica grešku.



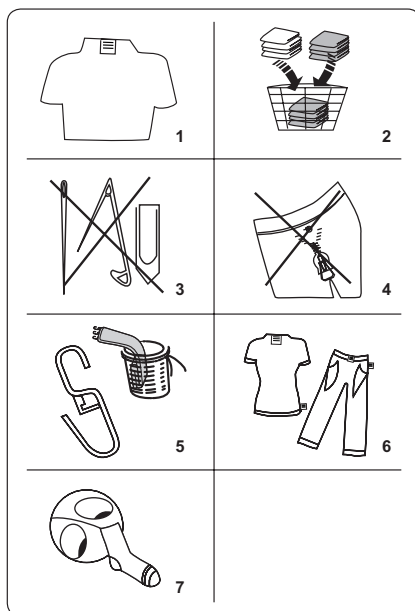
## KORIŠTENJE PERILICE

### Priprema rublja

1. Slijedite upute s etiketa na odjeći.
  - Razdijelite rublje prema vrsti (pamuk, sintetika, osjetljivo rublje, vuna itd.), temperaturi pranja (hladno, 30°, 40°, 60° ili 90°) i stupnju prljavosti (lagano zaprljano, zaprljano, vrlo zaprljano).
2. Nikada ne perite obojeno i bijelo rublje zajedno.
  - Tamne tkanine mogu sadržavati višak boje i treba ih prati nekoliko puta odvojeno.
3. Pazite da na rublju ili džepovima nema metalnih predmeta; uklonite ih.

**POZOR:** Jamstvo ne pokriva nedostatke koji nastanu uslijed oštećenja stranim materijalom.

4. Zatvorite patentne zatvarače, sve kuke i ušice.
5. Uklonite metalne ili druge kukice sa zavjesa, odnosno stavite ih u mrežu za pranje ili vreću.
6. Preokrenite odjevne predmete poput hlača, pletiva, majica i vesti naopako.
7. Čarape, maramice i druge male komade perite u mreži za pranje.



## Simboli za održavanje odjeće

 Normalno pranje	 Maksimalna temperatura pranja 90 °C	 Maksimalna temperatura pranja 60 °C
 Maksimalna temperatura pranja 30 °C	 Ručno pranje	 Zabrana pranja
 Možete izbjeleživati	 Ne izbjeleživati	 Najviša temperatura glačanja je 110 °C
 Najviša temperatura glačanja je 150 °C	 Najviša temperatura glačanja je 200 °C	 Ne glačati
 Kemijsko čišćenje	 Zabrana kemijskog čišćenja	 Raširiti
 Objesiti mokro	 Sušiti obješeno	 Ne sušiti u sušilici
 Može se čistiti benzinom, alkoholom i trifluor-trikloretnom	 Može se čistiti s benzinom, perkloretnom	 Može se čistiti perkloretnom, R11, R113 i benzinom

## Stavljanje rublja u perilicu

- Otvorite vrata perilice.
- Rasporedite rublje ravnomjerno u perilici rublja.

**NAPOMENA:** Pazite da ne premašite maksimalno opterećenje bubnja jer bi to moglo dovesti do loših rezultata pranja i gužvanja rublja. Informacije o kapacitetu perilice mogu se naći u tablici programa pranja.

Sljedeća tablica prikazuje približnu težinu uobičajenih vrsta rublja:

TIP RUBLJA	TEŽINA (g)
Ručnik	200
Posteljina	500
Bade-mantil	1 200
Pokrivač	700
Jastučnica	200
Donje rublje	100
Stolnjak	250

- Svaki komad rublja stavite zasebno.

- Pazite da se između gumene brtve i vrata ne nađu nikakvi predmeti.
- Lagano pritiskajte vrata dok ne kliknu.
- Pazite da su vrata potpuno zatvorena, inače se program neće pokrenuti.

## Dodavanje deterdženta u perilicu

Količinu deterdženta za pranje odredit ćete na osnovu sljedećih kriterija:

- Ako je rublje samo malo zaprljano, nemojte ga predprati. Stavite malu količinu deterdženta (prema uputama proizvođača) u odjeljak II ladice za deterdžent.
- Ako je rublje previše prljavo, odaberite program predpranja i stavite ¼ deterdženta koji ćete koristiti u odjeljak I ladice za deterdžent, a ostatak u odjeljak II.
- U perilici rublja koristite deterdžente prilagođene za automatske perilice. Slijedite upute proizvođača u vezi s količinom deterdženta koji se koristi.
- U područjima s tvrdom vodom potrebno je više deterdženta.
- Što je veća količina rublja, to je i količina potrebnog deterdženta veća.
- U srednji prostor ladice za deterdžent umetnite omekšivač. Ne prelazite crtu MAX.
- Gusti omekšivači mogu začepiti ladicu i trebaju se razrijediti.
- Tekući deterdženti mogu se koristiti u svim programima bez pretpranja. U tom slučaju, umetnite mjerac razine tekućeg deterdženta u rupice u odjeljku II ladice za deterdžent. Koristite crtice na mjeracu kao vodilicu za punjenje ladice do željene razine.

## Rad perilice rublja

1. Priključite perilicu na napajanje.
  2. Otvorite dovod vode.
- Otvorite vrata perilice.
  - Rasporedite rublje ravnomjerno u perilici rublja.
  - Lagano pritiskajte vrata dok ne kliknu.

## Odabir programa

Pomoću tablice programa odaberite najprikladniji program za vaše rublje.

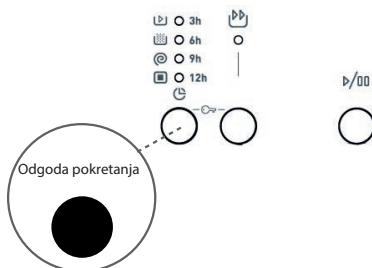
## Sustav detekcije polovičnog opterećenja

Vaš uređaj opremljen je sustavom za detekciju polovičnog opterećenja.

Ako u perilicu stavite manje od polovice maksimalne količine rublja, ona će automatski postaviti funkciju polovičnog punjenja bez obzira na odabrani program. To znači da je potrebno manje vremena za dovršetak odabranog programa i troši manje vode i energije.

## Tipka za odgođeni start

- Jednom pritisnite tipku odgođenog starta.
- Pokazivač "3h" će zasvijetliti.
- Pritisnite tipku Odgođeni start nekoliko puta dok se ne upali lampica sa željenom postavkom odgođenog pokretanja (3, 6, 9 ili 12 sati).
- Ako ste preskočili vrijeme odgođenog starta koje želite postaviti, pritisnite gumb Odgođeni start više puta sve dok se ponovno ne prikaže željeno vrijeme.
- Da biste aktivirali odabrano vrijeme odgode, pritisnite bilo koji dodatni funkcijski gumb (osim gumba Start / Pauza).
- Upotrijebite tipku START / PAUZA za pokretanje odbrojanja odgođenog starta.
- Da biste otkazali funkciju odgođenog starta nakon što ste je postavili, jednom pritisnite gumb Odgođeni start. Kontrolna lampica odgođenog starta se gasi.



- Da biste dodali / uklonili rublje kad je aktivna funkcija odgođenog starta, morate pritisnuti gumb Start / Pauza. Nakon dodavanja / uklanjanja rublja, morate ponovno pritisnuti tipku Start / Pauza da biste aktivirali funkciju odgođenog starta.

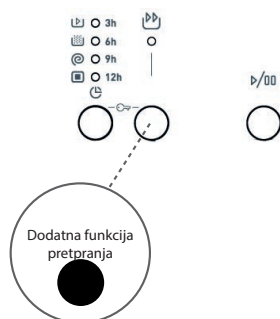
## Brzo pranje: dodatna funkcija

Korištenjem ove funkcije možete oprati rublje u kraćem vremenu i potrošiti manje energije i vode.

Ovu opciju preporučujemo koristiti samo ako operete manje od polovice maksimalnog kapaciteta suhog rublja za odabrani program.

Odaberite ovu funkciju pritiskom na gumb za Brzo pranje. Uključuje se kontrolna lampica za brzo pranje.

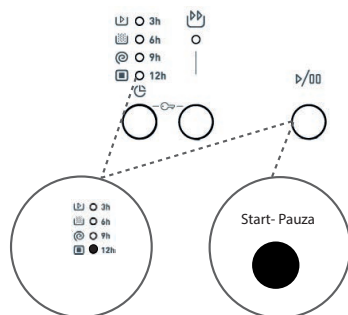
**NAPOMENA:** Ako u perilicu stavite manje od polovice maksimalne količine rublja, ona će automatski postaviti funkciju polovičnog punjenja, bez obzira na odabrani program. To znači da je potrebno manje vremena za dovršetak odabranog programa i troši manje vode i energije. Ako vaša perilica rublja prepozna da je polovično napunjena, simbol Brzog pranja automatski će se pojaviti na zaslonu.



## Tipka Start/Pauza

Da biste pokrenuli odabrani program, pritisnite gumb Start / Pauza.

Indikator rada (pranja) će se upaliti.



## Roditeljska zaštita

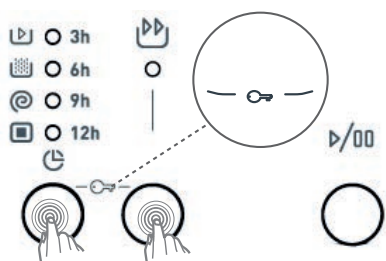
Funkcija Roditeljske zaštite omogućuje zaključavanje tipki tako da se odabrani ciklus pranja nenamjerno ne može promijeniti.

Da biste aktivirali roditeljsku zaštitu, istodobno pritisnite i držite tipke dodatnih funkcija najmanje 3 sekunde. Kada je uključena roditeljska zaštita na zaslonu će svijetliti pokazivač dodatne funkcije.

Ako pritisnete bilo koju tipku ili promijenite program odabran pomoću birača programa kada je aktivirana roditeljska zaštita, kontrolna lampica dodatne funkcije trepće na zaslonu.

Ako perilica rublja već pere, zaštita za djecu je aktivna i pokušavate promijeniti program okretanjem birača programa u položaj „0“ zatim u željeni program, perilica će nastaviti prati bez promjene.

Da biste deaktivirali roditeljsku zaštitu, istodobno pritisnite i držite tipke dodatnih funkcija najmanje 3 sekunde.



## Prekidanje programa

**Odabrani program može se prekinuti u bilo kojem trenutku:**

1. Programator namjestite u položaj „0“.
2. Perilica zaustavlja ciklus pranja i program se otkazuje.
3. Okretanjem birača PROGRAM na bilo koji drugi program ispustit ćete vodu iz perilice rublja.








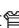

4. Vaša perilica rublja ispraznit će potrebnu vodu i prekinuti program. Sada možete odabrati i pokrenuti novi program.

## Kraj programa

Vaša perilica će se sama zaustaviti kad završi odabrani program.

- Na ploči svijetli kontrolna lampica završetka programa.
- Možete otvoriti vrata perilice i izvaditi rublje.
- Ostavite vrata perilice otvorena kako bi se unutrašnjost perilice osušila.
- Programator namjestite u položaj „0“.
- Odspojite perilicu iz utičnice.
- Zatvorite dovod vode.

## TABLICA PROGRAMA

Program	Temperatura (°C)	Maksimalni kapacitet suhog rublja (kg)	Pretinac	Trajanje (u minutama)	Vrsta rublja / opis
PAMUK 90°	90	5,0	2	176	Jako zaprljane pamučne i lanene tkanine. (Donje rublje, posteljina, stolnjaci, ručnici (najviše 2,5 kg), posteljina itd.)
Pretpranje – pamuk	60	5,0	1+2	156	Zaprljane pamučne i lanene tkanine. (Donje rublje, posteljina, stolnjaci, ručnici (najviše 2,5 kg), posteljina itd.)
PAMUK 60 °C	60	5,0	2	190	Zaprljane pamučne i lanene tkanine. (Donje rublje, posteljina, stolnjaci, ručnici (najviše 2,5 kg), posteljina itd.)
ECO 40- 60	40	5,0	2	180	Zaprljane pamučne i lanene tkanine. (Donje rublje, posteljina, stolnjaci, ručnici (najviše 2,5 kg), posteljina itd.)
PAMUK 20 °C	20	2,5	2	96	Manje zaprljane pamučne i lanene tkanine. (Donje rublje, posteljina, košulje, ubrusi, ručnici (max. 2 kg), posteljina itd.)
Sintetika 	40	3,0	2	110	Vrlo prljavi ili sintetički tekstil. (Najlonske čarape, majice, bluže, sintetičke mješavine itd.)
VUNA 	30	2,0	2	39	Vuna s etiketom koja potvrđuje da se može prati strojno.
ISPIRANJE 	--	5,0	--	36	Daljnje ispiranje bilo koje vrste rublja nakon pranja.
CENTRIFUGA 	--	5,0	--	15	Daljnje centrifugiranje bilo koje vrste rublja nakon pranja.
FINO / RUČNO PRANJE 	30	2,0	2	90	Rublje za koje se preporučuje ručno pranje ili osjetljivo rublje.
PAMUK 40 °C 	40	3,0	2	180	Manje zaprljane pamučne i lanene tkanine. (Donje rublje, posteljina, košulje, ubrusi, ručnici (max. 2 kg), posteljina itd.)
MJEŠOVITO	30	3,0	2	81	Prljavi pamučni, sintetički, obojeni i laneni tekstili mogu se prati zajedno.
BLUZE / KOŠULJE 	60	3,0	2	107	Prljavi pamuk, sintetika i sintetičke mješavine, majice, bluže, mogu se prati zajedno.
BRZI 60 min.	60	2,0	2	60	Prljavi pamučni, obojeni i laneni tekstil opran na 60 °C tijekom 60 minuta.
BRZI 15 min.*	30	2,0	2	15	Manje zaprljane pamučne obojane i lanene tkanine.

\* Zbog kratkog vremena pranja ovog programa, preporučujemo upotrebu manje deterdženta. Ako perilica otkrije neravnomjerno opterećenje, program može trajati duže od 15 minuta. Vrata perilice mogu se otvoriti 2 minute nakon završetka ciklusa pranja. (Ovo dvominutno razdoblje nije uključeno u vrijeme trajanje programa).

**NAPOMENA:** TRAJANJE PROGRAMA MOŽE SE PROMIJENITI OVISNO O KOLIČINI RUBLJA, TIPU VODE, OKOLNOJ TEMPERATURI I ODABRANIM DRUGIM FUNKCIJAMA.

- Ako u perilicu uložite 2 kg ili manje rublja, perilica će pokrenuti automatski ciklus u trajanju od 30 minuta.
- Zbog kratkog vremena pranja ovog programa, preporučujemo upotrebu manje deterdženta. Ako perilica otkrije neravnomjerno opterećenje, program može trajati duže od 15 minuta. Vrata perilice mogu se otvoriti 2 minute nakon završetka ciklusa pranja. (Ovo dvominutno razdoblje nije uključeno u vrijeme trajanje programa).
- Prema propisima 1015/2010 i 1061/2010, program 3 s opcijama temperature je "Standardni program za pamuk na 60 °C" i "Standardni program za pamuk na 40 °C".
- Program Eco 40-60 može se koristiti u istom ciklusu za čišćenje srednje zaprljanog pamuka s preporučenom temperaturom pranja od 40 °C ili 60 °C, a ovaj se program koristi za procjenu usklađenosti s EU zakonima o ekološkom dizajnu.
- Energetski najučinkovitiji programi obično su programi na kojima se pere duže na nižim temperaturama.
- Punjenje perilice rublja u kućanstvu do kapaciteta koje je proizvođač odredio za odgovarajuće programe pridonijeti će uštedi energije i vode.
- Trajanje programa, potrošnja energije i potrošnja vode mogu se razlikovati ovisno o količini i vrsti punjenja, odabranim dodatnim funkcijama, vrsti vode i temperaturi okoline.
- Za programe pranja koji peru na niskim temperaturama, preporučuje se korištenje tekućeg deterdženta. Količina deterdženta ovisi o količini rublja i stupnju zaprljanosti. Slijedite preporuke proizvođača deterdženta za utrošenu količinu.
- Brzina centrifuge utječe na buku i sadržaj zaostale vlage. Što je veća brzina centrifuge u fazi centrifugiranja, to je veća buka i niži je sadržaj zaostale vlage.
- Pristup bazi podataka proizvođača, u kojoj su pohranjene informacije o modelu, je omogućen čitanjem QR koda na energetske naljepnici.

## Važne informacije

- Koristite samo deterdžente, omekšivače i dodatke prikladne za automatske perilice. Stvorila se prekomjerna pjena i aktivirao se automatski sustav upijanja pjene zbog upotrebe previše deterdženta.
- Preporučujemo redovito čišćenje perilice rublja svaka 2 mjeseca. Za redovito čišćenje koristite program Drum Clean (čišćenje bubnja). Ako vaša perilica rublja nema program Drum Clean, upotrijebite program Cotton 90. Ako je potrebno, koristite samo prikladna sredstva za uklanjanje kamenca razvijena posebno za perilice rublja.
- Nikada ne otvarajte vrata dok perilica radi. Vrata perilice mogu se otvoriti 2 minute nakon završetka ciklusa pranja.
- Radove na ugradnji i popravku uvijek mora izvoditi ovlašteni predstavnik servisa kako bi se izbjegli mogući rizici. Proizvođač nije odgovoran za štetu koja može nastati tijekom postupaka koje izvode neovlaštene osobe.

## ČIŠĆENJE I ODRŽAVANJE

### Upozorenje

**Prije održavanja i čišćenja isključite uređaj i izvucite kabel za napajanje. Prije početka održavanja i čišćenja perilice rublja zatvorite dovod vode.**

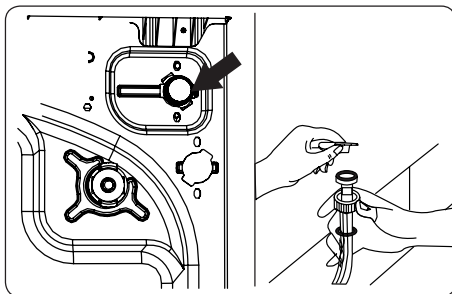
**Za čišćenje perilice rublja nemojte koristiti otapala, abrazivna sredstva za čišćenje, sredstva za čišćenje stakla ili univerzalna sredstva za čišćenje. Kemikalije koje sadrže mogu oštetiti plastične površine uređaja i ostale dijelove.**

## Filtri na dovodu vode

Filtri na dovodu vode sprječavaju ulazak prljavštine i stranih materijala u perilicu rublja.

Preporučujemo čišćenje ovih filtara čim u perilicu ne uđe dovoljno vode, iako je dovod vode prikopčan i slavina je otvorena. Preporučujemo čišćenje filtra za dovod vode svaka 2 mjeseca.

- Odvijte dovodno crijevo (crijeva) iz perilice rublja.
- Da biste uklonili filter za dovod vode iz ventila za punjenje, upotrijebite dugačka kliješta i pažljivo uklonite plastičnu šipku na filteru.
- Drugi filter za dovod vode nalazi se na kraju dovodnog crijeva koje ulazi u slavinu. Da biste uklonili drugi filter za dovod vode, upotrijebite dugačka kliješta i pažljivo uklonite plastičnu šipku na filteru.
- Temeljito očistite filter mekom četkom, operite sapunicom i temeljito isperite. Lagano pritisnite i gurnite filter na mjesto.



**POZOR:** Filtri na ventilu za dovod vode mogu se začepiti zbog loše kvalitete vode ili lošeg održavanja i mogu biti oštećeni. To može uzrokovati curenje vode. Takvi kvarovi nisu pokriveni jamstvom.

## Filter crpke

Filtracijski sistem crpke vaše perilice rublja produljuje život crpke sprečavajući nečistoću da uđe u perilicu rublja. Preporučujemo čišćenje filtra crpke svaka 2 mjeseca.

Filter crpke nalazi se iza poklopca u donjem desnom prednjem kutu.

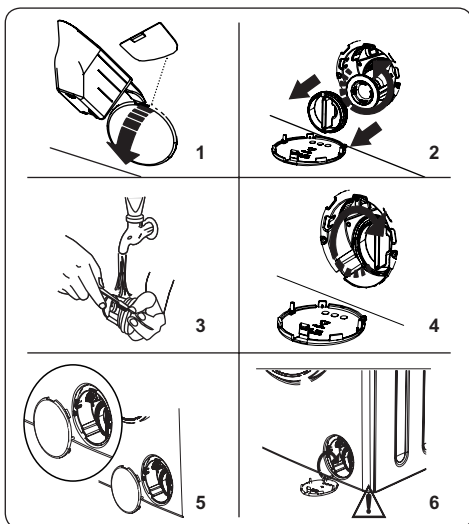
Čišćenje filtra crpke:

1. Otvorite poklopac. Možete koristiti pregradu s tekućim prahom kao što je prikazano na slici.
2. Umetnite kraj mjerne čaše ili mjerač razine tekućine u otvor poklopca i lagano ga gurnite natrag. Poklopac će se otvoriti.
3. Prije otvaranja stavite posudu ispod poklopca filtra koja će zahvatiti ostatke vode iz perilice rublja.
4. Otpustite filter okretanjem u smjeru suprotnom od kazaljke na satu i povucite ga kako biste ga uklonili. Pričekajte da voda iscuri.

**NAPOMENA:** Ovisno o količini vode u perilici, možda će biti potrebno nekoliko puta isprazniti spremnik za vodu.

5. Mekanom četkom uklonite sve strane materijale iz filtra.
6. Nakon čišćenja vratite filter na mjesto i okrenite ga u smjeru kazaljke na satu da biste ga učvrstili.
7. Pri zatvaranju poklopca filtra, pobrinite se da se nosači unutar poklopca uklapaju u rupe na strani prednje ploče.
8. Zatvorite poklopac filtra.

**POZOR:** Voda u crpki može biti vruća, pričekajte da se ohladi prije čišćenja ili održavanja.

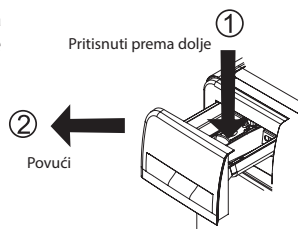


## Odjeljak za deterdžent

Korištenje deterdženta može s vremenom dovesti do taloženja u ladici za deterdžent. Preporučujemo uklanjanje ladice svaka 2 mjeseca i čišćenje nakupljenih ostataka.

Uklanjanje ladice za sredstva za pranje:

- Povucite ladicu prema naprijed tako da je potpuno izvučena.
- Pažljivo pritisnite ladicu (pogledajte sliku niže) i izvucite ladicu.
- Očistite ladicu vodom i mekanom četkom.
- Ako u ladici ostane nečistoća, uklonite je mekom četkom. Pazite da u perilicu ne uđe zaostala nečistoća.
- Ladicu temeljito osušite i gurnite natrag.
- **Ne perite ladicu za deterdžent u perilici posuđa.**



## Čep za ispiranje / tijelo / bubanj

### 1. Čep za ispiranje

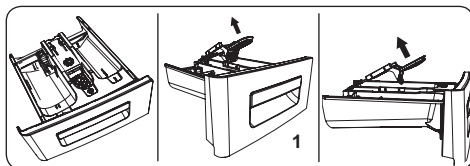
Uklonite ladicu za deterdžent i skinite čep za ispiranje. Temeljito uklonite sav preostali omekšivač. Nakon čišćenja vratite čep za ispiranje i provjerite je li pravilno smješten.

### 2. Tijelo

Koristite blago neabrazivno sredstvo za čišćenje ili sapun i vodu za čišćenje vanjskog kućišta. Obrišite temeljito mekom krpom.

### 3. Bubanj

Ne ostavljajte metalne predmete poput igala, spjalica, novčića itd. u perilici rublja. Mogu uzrokovati nastajanje hrđe na bubnju. Za čišćenje hrđe koristite sredstvo za čišćenje bez klora i slijedite upute proizvođača deterdženta. Nikada nemojte koristiti žičanu četku ili slične tvrde predmete za čišćenje mrlja od hrđe.



## RJEŠENJE PROBLEMA

Perilicu treba popravljati ovlašteni servis. Ako perilicu trebate popraviti ili ako ne možete riješiti problem pomoću uputa niže, trebali biste:

- Uređaj isključite iz struje.
- Zatvorite dovod vode.

GREŠKA	MOGUĆI UZROK	RJEŠENJE PROBLEMAU
Perilica se ne pokreće.	Perilica nije spojena na električnu mrežu.	Spojite perilicu na električnu mrežu.
	Osigurači su neispravni.	Zamijenite osigurače.
	Nema napajanja iz mreže.	Prekontrolirajte napajanje iz mreže.
	Tipka Start/Pauza nije pritisnuta.	Pritisnite tipku Start/Pauza
	Položaj birača programa "stop".	Postavite birač programa na željeni položaj.
Vrata perilice rublja nisu potpuno zatvorena.	Zatvorite vrata perilice rublja.	

GREŠKA	MOGUĆI UZROK	RJEŠENJE PROBLEMAU
Uređajne uzima vodu.	Slavina je zatvorena.	Otvorite slavinu za vodu.
	Crijevo za dovod vode može biti zamotano.	Provjerite dovodno crijevo i odmotajte ga.
	Crijevo za dovod vode je začepljeno.	Očistite filtre crijeva za dovod vode. (*)
	Filtar na dovodu je začepljen.	Očistite filtari na dovodu vode. (*)
	Vrata perilice rublja nisu potpuno zatvorena.	Zatvorite vrata perilice rublja.
Stroj ne ispušta vodu.	Odvodna cijev je zaštopana ili zamotana.	Provjerite odvodno crijevo, a zatim ga očistite ili odmotajte.
	Filtar crpke je začepljen.	Očistite filtari crpke. (**)
	Rublje u bubnju je previše stisnuto.	Rasporedite rublje ravnomjerno u perilici rublja.
Perilica vibrira.	Nožice nisu podešene.	Podesite nožice. (**)
	Transportni vijci nisu uklonjeni.	Odstranite transportne vijke iz perilice. (**)
	Premalo sadržaja u bubnju.	To neće omogućiti rad uređaja.
	Perilica je preopterećena rubljem ili je rublje neravnomjerno raspoređeno.	Nemojte preopteretiti bubanj. Ravnomjerno rasporedite rublje u bubnju.
	Perilica je postavljena na tvrdu podlogu.	Nemojte postavljati perilicu na tvrdu podlogu.
U ladicu za deterđent stvara se prekomjerna pjena.	U ladicu se nalazila prevelika količina deterđenta.	Pritisnite gumb Start / Pauza Da biste zaustavili pjenjenje, razrijedite jednu žlicu omekšivača u 1/2 litre vode i ulijte u ladicu za deterđent. Nakon 5–10 minuta pritisnite tipku Start/Pauza.
	Upotrijebili ste neodgovarajući deterđent.	U perilici rublja koristite deterđente prilagođene za automatske perilice.
Nezadovoljavajući rezultati pranja.	Rublje je bilo previše zaprljano za program koji ste odabrali.	Pomoću podataka u tablici programa odaberite najprikladniji program.
	U ladicu je bila premala količina deterđenta.	Upotrijebite točnu količinu deterđenta prema uputama na pakiranju.
	U perilici se nalazi previše rublja.	Provjerite nije li premašen maksimalni kapacitet za odabrani program.
	Tvrda voda.	Povećajte količinu deterđenta prema uputama proizvođača.
	Rublje u bubnju je previše stisnuto.	Pazite da je rublje ravnomjerno raspoređeno u bubnju.



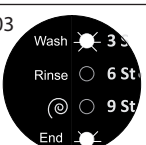
GREŠKA	MOGUĆI UZROK	RJEŠENJE PROBLEMAU
Čim se perilica rublja napuni vodom, voda se ispušta.	Kraj odvodnog crijeva se nalazi prenisko.	Provjerite je li odvodno crijevo na odgovarajućoj visini. (**).
Tijekom pranja u bubnju se nije pojavila voda.	Nije greška. Voda je u dijelu bubnja koji se ne vidi.	-
Na rublju ima ostataka deterdženta.	Netopive čestice u nekim deterdžentima mogu se pojaviti kao bijele mrlje na vašem rublju.	Nakon sušenja isperite još jednom ili očistite rublje četkom.
Na rublju se uočavaju sive mrlje.	Na vašem rublju se zadržalo ulje, krema ili mast.	Kod idućeg pranja upotrijebite točnu količinu deterdženta prema uputama na pakiranju.
Ciklus centrifuge se ne odvija ili se odvija kasnije nego što se očekivalo.	Nije greška. Aktiviran je sustav za neuravnoteženo opterećenje.	Sustav kontrole neuravnoteženog opterećenja pokušati će ravnomjerno rasporediti rublje u bubnju. Centrifuga započinje čim se rublje raspoređi. Sljedeći put kad perete, ravnomjerno rasporedite rublje u bubnju.

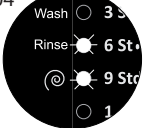
(\*) Vidi poglavlje vezano uz održavanje i čišćenje perilice.

(\*\*) Vidi poglavlje vezano uz instalaciju perilice.

## Kôdovi grešaka i njihovo rješavanje

Perilica rublja opremljena je ugrađenim sustavom za otkrivanje kvarova. Kvarovi se označavaju kombinacijom osvijetljenih radnih lampica. Najčešći kodovi pogrešaka navedeni su u nastavku.

KÔDOVI GREŠAKA	UZROK	RJEŠENJE
E01 	Vrata perilice rublja nisu ispravno zatvorena.	Zatvorite ispravno vrata, dok ne čujete škljocanje. Ako vaša perilica i dalje pokazuje grešku, isključite perilicu, isključite je i odmah se obratite najbližem ovlaštenom servisu.
E02 	Nedovoljan tlak vode ili niska razina vode u perilici.	Provjerite je li slavina potpuno otvorena. Dovod vode može biti odvojen. Ako se problem nastavi, perilica će se ubrzo automatski zaustaviti. Odspojite perilicu rublja, zatvorite slavinu i kontaktirajte najbliži ovlašteno servisno centar.
E03 	Neispravna crpka, začepljen filter crpke ili greška u električnoj instalaciji crpke.	Očistite filter crpke. Ako se problem nastavi pojavljivati, obratite se najbližem ovlaštenom servisu. (*)

KÓDOVI GREŠAKA	UZROK	RJEŠENJE
E04 	U perilici se nalazi prevelika količina vode.	Perilica sama ispušta vodu. Nakon što se voda isprazni, isključite perilicu i iskopčajte je iz struje. Zatvorite slavinu i kontaktirajte najbliži ovlašteni servisni centar.

(\*) Vidi poglavlje vezano uz održavanje i čišćenje perilice.

## TEHNIČKI PODACI

	EFW 1053 MD
Ugradbena izvedba	Ne
Maksimalni kapacitet bubnja (suho rublje) kg	5
Dimenzije (V x Š x H) [mm]	845 x 597 x 497
Nazivni napon	220-240 V ~ 50Hz
Snaga	2100 W
Osigurač	10 A
Tlak vode (MPa) MIN/MAX	0,1, MPA/ 1, MPA

## OPORABA I ZBRINJAVANJE OTPADA

Papirni otpad i kartonsku ambalažu predajte u reciklažna dvorišta. Foliju za pakiranje, vrećice od polietilena i plastične dijelove odložite u kontejnere za plastiku.

## ODLAGANJE PROIZVODA NAKON ISTEKA RADNOG VIJEKA

**Odlaganje otpada električne i elektroničke opreme (primjenjivo u državama članicama EU i drugim europskim zemljama koje su uspostavile sustave razvrstavanja otpada)**

Oznaka koja je navedena na proizvodu ili na ambalaži označava da se proizvod ne smije zbrinjavati kao kućni otpad. Proizvod odložite na mjesto određeno za recikliranje električne i elektroničke opreme. Ispravnim odlaganjem proizvoda sprječavate negativne utjecaje na zdravlje ljudi i okoliš. Reciklažom materijala pomažete očuvanje prirodnih resursa. Dodatne informacije o recikliranju ovog proizvoda pružit će vam lokalne vlasti, organizacija za preradu kućnog otpada ili prodajno mjestu na kojem ste kupili proizvod.



08/05



Ovaj proizvod je usklađen s direktivama EU o elektromagnetskoj kompatibilnosti i električnoj sigurnosti. Ovaj proizvod ispunjava zahtjeve u pogledu teških metala u električnoj opremi.

Upute za uporabu dostupne su na web stranici [www.ecg-electro.eu](http://www.ecg-electro.eu).

Pravo na izmjenu teksta i tehničkih parametara je pridržano.

## DROŠĪBAS INSTRUKCIJAS

### Rūpīgi izlasiet un saglabāiet turpmākai uzziņai!

**Brīdinājums!** Šajā rokasgrāmatā aprakstītie drošības piesardzības pasākumi un norādījumi neaptver visas iespējamās situācijas un apstākļus. Lietotājam ir jāsaprot, ka veselais saprāts, piesardzība un rūpība ir faktori, ko nevienā ierīcē nav iespējams iekļaut. Par tiem ir jāparūpējas ierīces lietotājiem(-iem). Mēs neesam atbildīgi par bojājumiem, kas radušies pārvadāšanas laikā, vai ko izraisījusi nepareiza lietošana, sprieguma svārstības vai jebkuras ierīces daļas modificēšana vai regulēšana.

levērojiet visas instrukcijas šajā lietošanas instrukcijā. Pirms pirmās lietošanas reizes rūpīgi izlasiet visu instrukciju un saglabāiet to tālākai atsaucei.

Lai aizsargātos pret aizdegšanās vai strāvas trieciena risku, lietojot elektroierīces ir jāievēro pamata drošības pasākumi, tostarp šādi:

1. Pārliedzinieties, ka jūsu rozetes spriegums atbilst uz ierīces datu plāksnītes norādītajam spriegumam. Lai pārliedzinātos par savu drošību, ievietojiet barošanas vada kontaktdakšu atbilstoši zemētā sienas rozetē, kas ierīkota atbilstoši piemērojamajam tehniskajam standartam saskaņā ar ražotāja norādījumiem un vietējiem drošības norādījumiem.
2. Neizmantojiet ierīci, ja barošanas vads ir bojāts. Uzticiet ierīces pieslēgšanu elektrotīklam un ūdens padevei, jebkādu remontdarbus vai pielāgojumus, tostarp barošanas vada nomaiņu pilnvarotam servisa centram. Nenoņemiet ierīces aizsargvākus – strāvas trieciena risks!
3. Nepievienojiet un neatvienojiet barošanas vadu ar mitrām rokām. Izvairieties no strāvas trieciena riska.
4. Nepieskarieties ierīcei ar mitrām rokām vai pēdām.
5. Barošanas vadam pēc ierīces uzstādīšanas ir jāpaliek pieejamam. Nesaīsiniet kabeli un neizmantojiet pagarinātāju. Neļaujiet vadam pieskarties karstām virsmām, un nenovietojiet to uz asām malām.



6. Neieslēdziet un neizslēdziet ierīci, iespraužot vai izraujot barošanas vadu. Neatvienojiet barošanas vadu no rozetes, raujot to. Atvienojiet vadu, satverot kontaktdakšu. Pēc izmantošanas vienmēr izslēdziet regulatoru OFF (Izslēgts) pozīcijā, atvienojiet ierīci no sienas rozetes un aizveriet ūdens padeves krānu.
7. Nenovietojiet mašīnu uz paklāja vai līdzīgas virsmas, kas varētu aizsprostot ventilācijas spraugas pamatnē.
8. Neievietojiet ierīcē vai uz tās nekādus priekšmetus (piem., vāzes, krūzes u.tml.).
9. Neievietojiet mašīnas izplūdes šļūteni izlietnē, spainī vai bļodā.
10. Neļaujiet bērniem spēlēties ar mašīnu. Neļaujiet bērniem un dzīvniekiem piekļūt mašīnai. **Bērni, kas jaunāki par 3 gadiem, nedrīkst piekļūt ierīcei, ja vien netiek visu laiku uzmanīti.**
11. Glabājiet bērniem nepieejamā vietā mazās daļas, kas atrodas maisiņā ar dokumentāciju.
12. Nepakļaujiet ierīci tiešu saules staru iedarbībai, neizmantojiet to ārpus telpām, un nepakļaujiet to lietus iedarbībai.
13. Neturiet mašīnas tuvumā viegli uzliesmojošus šķidrumus.
14. Nemazgājiet veļasmašīnā veļu, kas ir tikusi tīrīta, mazgāta, iemērcta vai apstrādāta ar uzliesmojošām vai sprāgstošām vielām (vasku, eļļu, krāsu, benzīnu, ķīmiskajiem šķīdinātājiem, petroleju u.c.). Uzliesmojošu un sprāgstozu toksisku vielu izmantošana ir aizliegta. Neizmantojiet benzīnu, alkoholu u.c. kā mazgāšanas līdzekli. Var izcelties ugunsgrēks vai sprādziens. **Paklāju mazgāšana ir aizliegta.**
15. Nepieskarieties veļasmašīnai ar slapjām rokām, kad tā darbojas. Neatveriet mazgāšanas līdzekļa atvilktni un veļasmašīnas durvis mazgāšanas vai veļas izgriešanas laikā.
16. Izvadīšanas laikā nepieskarieties novadšļūtenei un izvadītajam ūdenim. Ūdens veļasmašīnas darbības laikā var sasniegt augstu temperatūru.
17. Darbības traucējumu gadījumā vispirms atvienojiet to no barošanas, tad aizveriet ūdens krānu. Nemēģiniet patstāvīgi veikt mašīnas remontu; sazinieties ar pilnvarotu apkopes centru.

18. Pirms pirmās lietošanas reizes neaizmirstiet **NOSKRŪVĒT SPROSTSKRŪVES**, kas nofiksē veļasmašīnas tilpni transportēšanas laikā. Bojājumus, kas var rasties, iedarbinot veļasmašīnu ar uzstādītām fiksējošajām skrūvēm, garantija nesedz.
19. Ierīce ir paredzēta tikai izmantošanai mājstarpniecībā un tikai audumu mazgāšanai. Komerciālas izmantošanas vai neatbilstošas izmantošanas gadījumā garantija nebūs spēkā.
20. Šī veļasmašīna ir paredzēta tikai lietošanai iekštelpās.
21. Neuzstādiet ierīci slapjās un mitrās telpās, kā arī telpās, kur ir sprāgstošas un kodīgas gāzes.
22. Ierīci drīkst lietot bērni no 8 gadu vecuma un cilvēki, kam ir mazinātas fiziskās, sensorās vai garīgās spējas vai trūkst pieredzes un zināšanu, ja tiem tiek nodrošināta uzraudzība vai ir sniegtas instrukcijas par ierīces drošu lietošanu un tie saprot iespējamās briesmas. Bērni nedrīkst veikt ierīces tīrīšanu un apkopi, ja vien tie nav vismaz 8 gadus veci un nav nodrošināta uzraudzība. Bērni, kas jaunāki par 8 gadiem, nedrīkst piekļūt ierīcei un tās barošanas vadam.
23. Jebkāda iejaukšanās ierīces darbībā, ko veic persona, kas nav pilnvarots pakalpojumu sniedzējs, anulēs garantiju.
24. Garantija neattiecas uz ārēji radītiem bojājumiem (plūdi, ķīmiskas vielas, ugunsgrēks u.tml.).
25. Ražotājs nav atbildīgs par jebkādiem bojājumiem, kas radušies nepareizas zemēšanas vai lietošanas dēļ. **BĪSTAMS SPRIEGUMS, TRAUMU RISKS!**

## IETEIKUMS

- Pirms jaunās veļasmašīnas lietošanas lūdziet palīdzību uzstādīšanas un palaišanas sakarā kvalificētu santehniķi vai autorizētu servisa centru.
- Uzstādiet veļasmašīnu labi vēdinātā vietā ar pietiekamu gaisa cirkulāciju. Novietojiet mašīnu tā, lai būtu iespējams pilnīgi atvērt durvis. Veļasmašīna nav paredzēta kā iebūvējama veļasmašīna vai ievietošanai skapīti.
- Ideālā vides temperatūra veļasmašīnas darbībai ir no 15°C līdz 25°C.
- Sasalušas šļūtenes var sapūt un saplīst. Vietās, kur temperatūra nokrītas zem nulles, var būt apdraudēta droša elektronisko ķēžu darbība.
- Mēs iesakām pirmo mazgāšanas ciklu veikt bez veļas ar iestatījumu „90° baltai kokvilnai”, mazgāšanas līdzekļa atvilktnes otrajā nodalījumā ieberot ½ mērišanas trauciņa mazgāšanas līdzekļa.
- Tā kā ilgstoša saskare ar gaisu var izraisīt mazgāšanas līdzekļa vai veļas mikstinātāja nogulsņēšanu, ielejiet mazgāšanas līdzekli un mikstinātāju to nodalījumā tieši pirms mazgāšanas sākšanas.
- Mēs iesakām izmantot priekšmazgāšanas programmu tikai ļoti netīrai veļai.

- Veļasmašīnā ieliktais veļas daudzums nedrīkst pārsniegt maksimālo atļauto. Pretējā gadījumā mašīna darbosies drošajā režīmā.
- Lietojiet veļasmašīnu tikai veļai, ko ražotājs atzīmējis kā piemērotu mazgāšanai veļasmašīnā.
- Lietojot veļasmašīnā veļas mikstinātāju un tamlīdzīgus līdzekļus, ievērojiet ražotāju ieteikumus.
- Pārlicinieties, ka veļasmašīnā ievietoto drēbju kabatās nav nekādi priekšmeti (naglas, adatas, monētas, šķiltavas, sērkokči, saspraudes utt.). Šie svešķermeņi var veļasmašīnu sabojāt.
- Ļoti noputējušu drēbju mazgāšana bojā veļasmašīnu. Nopuriniet ļoti noputējušas drēbes, pirms ievietojat tās veļasmašīnā.
- Nekad neatveriet mazgāšanas līdzekļa atvilktni, kamēr mašīna darbojas.
- Nekad necentieties atvērt veļasmašīnas durvis, kamēr tā darbojas.
- Pirms durvju atvēršanas pārlicinieties, ka veļas tilpnē nav ūdens. Neatveriet veļasmašīnas durvis, ja veļas tilpnē ir ūdens.
- Pēc programmas beigām nogaidiet 2 minūtes un tad atveriet durvis.
- Sērs balināšanas līdzekļos var izraisīt koroziju. Tāpēc nekad nelietojiet balināšanas līdzekļus veļasmašīnā. Veļasmašīnā nekad nelietojiet vielas, kas satur šķīdinātājus (piem., benzīnu).
- Ja ilgāku laiku nelietosit veļasmašīnu, atvienojiet to no rozetes, aizveriet ūdens padevi, un atstājiet durvis atvērtas. Mašīnas iekšpuse paliks sausa, un neveidosies smaka.
- Pēc testēšanas ražošanas procesa beigās mašīnā var palikt neliels daudzums ūdens, kas nerada mašīnas bojājumu risku.

## Applūšanas briesmas

- Izmantojiet jaunās šļūtenes, kas iekļautas ierīces komplektācijā.
- Neizmantojiet vecās šļūtenes.
- Vienmēr atvienojiet ierīci no elektropadeves un aiztaisiet ūdens padeves krānu pēc lietošanas.
- Neievietojiet mašīnas izplūdes šļūteni izlietnē, spainī vai bļodā.

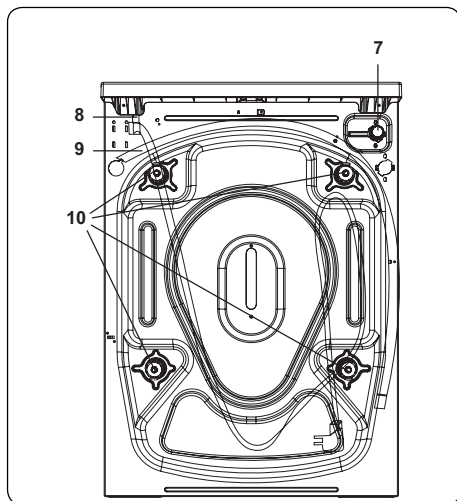
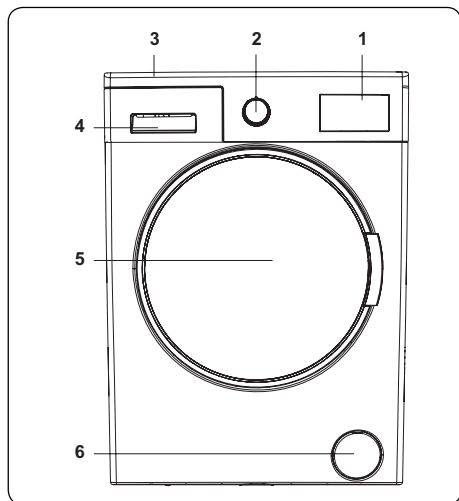
## Krišanas un traumu briesmas

- Nekāpiet un nesēdīet uz veļasmašīnas. Augšpuse var salūzt, un jūs varat savainoties.
- Neatbalstīties pret durvīm. Neaizveriet durvis ar spēku. Ja ir grūti aizvērt durvis, pārlicinieties, ka nav ievietotas pārāk daudz drēbes veļasmašīnā vai ka tās ir kārtīgi izkļiedētas.
- Pēc uzstādīšanas droši novietojiet šļūtenes un barošanas vadu. Aizķeršanās un pakļupšanas var radīt traumas.
- Neapgrieziet veļasmašīnu augšpēdus vai uz sānu.
- Neceliet veļasmašīnu, satverot tās izvīzītās daļas (mazgāšanas līdzekļa atvilktni, durvis). Tas var izraisīt bojājumus un traumas.
- Veļasmašīnas pārvietošanai nepieciešami vismaz divi cilvēki.

## Bērnu drošība

- Bērni, kas jaunāki par 3 gadiem, nedrīkst piekļūt ierīcei, ja vien netiek visu laiku uzmanīti. Neatstājiet bērnus nepieskatītus veļasmašīnas tuvumā. Tie var iesprostot sevi veļasmašīnā, un iznākums var būt nāvējošs.
- Darbības laikā stikla durvis un veļasmašīnas virsmas var būt ļoti karstas. Sargājiet mazus bērnus un dzīvniekus no saskares ar šīm virsmām.
- Glabājiet iepakojuma materiālus bērniem nepieejamā vietā. Pastāv nosmakšanas risks.
- Mazgāšanas līdzekļu norīšana var izraisīt saindēšanos, un saskare ar ādu vai acīm var radīt iekaisumu. Glabājiet mazgāšanas līdzekļus bērniem nepieejamā vietā.

## APRAKSTS



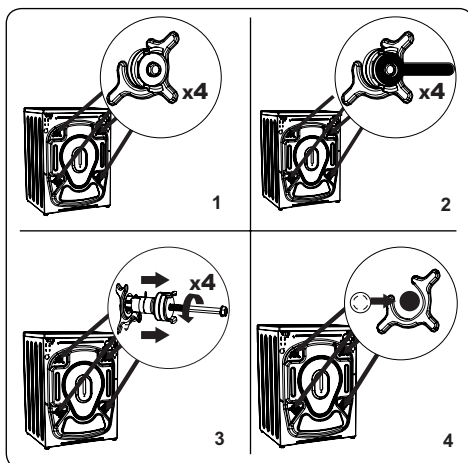
1. Elektroniskais displejs
2. Programmu regulators
3. Augšējais vāks
4. Mazgāšanas līdzekļa atvilktnē
5. Centrifūga
6. Sūkņa filtra pārsegs
7. Uzpildes vārsts
8. Barošanas vads
9. Novadšļūtene
10. Transportēšanas skrūves

## UZSTĀDĪŠANA

### Transportēšanas skrūvju noņemšana

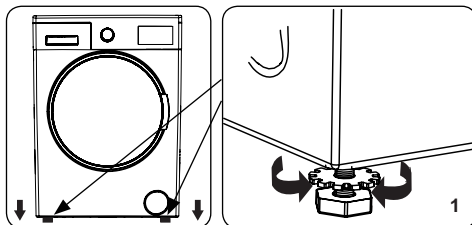
1. Pirms veļasmašīnas palaišanas noņemiet 4 transportēšanas skrūves un gumijas paplāksnes veļasmašīnas aizmugurē. Ja skrūves netiek noņemtas, tas var radīt spēcīgas vibrācijas, troksni un veļasmašīnas nepareizu darbību un pārtraukt garantijas spēkā esamību.
2. Atskrūvējiet transportēšanas skrūves, griežot pretēji pulksteņrādītāja kustības virzienam ar piemērotu uzgriežņu atslēgu.
3. Noņemiet transportēšanas skrūves, novelkot tās nost.
4. Ievietojiet plastmasas aizbāžņus, kas iekļauti piederumu maisiņā, caurumos pēc skrūvju izņemšanas. Transportēšanas skrūves jāuzglabā turpmākai izmantošanai.

**Piezīme:** izņemiet transportēšanas skrūves pirms pirmās veļasmašīnas lietošanas reizes. Nepareiza darbība, kas var rasties, iedarbinot veļasmašīnu ar uzstādītām transportēšanas skrūvēm, garantija nesedz.



### Līmeņošanas kājiņu / regulējamo aigturu regulēšana

1. Neuzstādiat veļasmašīnu uz virsmas (piem., paklāja), kas novērsīs ventilāciju no apakšas.
  - Lai nodrošinātu klusu darbību bez vibrācijām, uzstādiat to uz stingras virsmas.
  - Jūs varat nolīmeņot veļasmašīnas, izmantojot regulējamās kājiņas.
  - Atskrūvējiet plastmasas pretuzgriežņi.
2. Ja vēlaties palielināt veļasmašīnas augstumu, pagrieziet kājiņas pulksteņrādītāja kustības virzienā. Ja vēlaties samazināt veļasmašīnas augstumu, pagrieziet kājiņas pretēji pulksteņrādītāja kustības virzienam.
  - Tiklīdz veļasmašīna ir nolīmeņota, pievelciet pretuzgriežņus, griežot tos pulksteņrādītāja kustības virzienā.
3. Nenovietojiet zem veļasmašīnas kartonu, koku vai tamlīdzīgu materiālu.
- Slaukot un mazgājot grīdu, uz kuras atrodas veļasmašīna, uzmanieties, lai neizjauktu veļasmašīnas horizontālo stāvokli.



### Barošanas savienojums

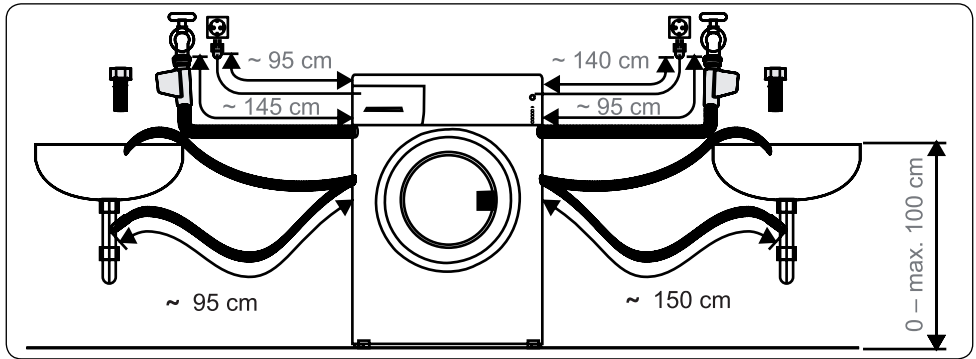
- Veļasmašīnai nepieciešama elektropadeve – 220-240 V, 50 Hz.
- Veļasmašīnas barošanas kabelis ir aprīkots ar zemētu kontaktdakšu. Šī kontaktdakša vienmēr jāievieto 10 A zemētā sienas rozetē.
- Ja jums nav atbilstošas rozetes un zemējuma drošinātāja, konsultējieties ar kvalificētu elektriķi.
- Mēs neesam atbildīgi par bojājumiem, kas radušies, pievienojot ierīci nezemētai sienas rozetei.

**Piezīme:** darbinot veļasmašīnu pie zema sprieguma, tiek saīsināts tās kalpošanas laiks un samazināta efektivitāte.

## Ūdens padeves šļūtene

1. Atkarībā no veļasmašīnas specifikācijām veļasmašīnu var pieslēgt aukstā ūdens padevei vai aukstā un karstā ūdens padevei. Šļūtene ar balto uznavu jāpievieno aukstā ūdens padevei, savukārt šļūtene ar sarkano uznavu jāpievieno karstā ūdens padevei (ja pieejams).
- Lai novērstu ūdens noplūdi savienojuma vietās, 1 vai 2 uzgriežņi ir iekļauti šļūtenju iepakojumā (atkarībā no veļasmašīnas modeļa). Uzskrūvējiet šos uzgriežņus padeves šļūtenes, kas pievienota ūdens padevei, galā.
2. Pievienojiet jauno padeves šļūteni  $\frac{3}{4}$ " vītņotam ūdens krānam.
- Pievienojiet padeves šļūtenes balto galu baltajam padeves vārstam veļasmašīnas aizmugurē un šļūtenes sarkano galu sarkanajam padeves vārstam (ja tiek izmantots).
- Pievelciet savienojumus manuāli. Ja jūs māt šaubas, sazinieties ar kvalificētu santehniķi.
- Ūdens plūsma ar spiedienu 0,1 - 1 MPA ļaus jūsu veļasmašīnai darboties ar optimālu efektivitāti (spiediens 0,1 MPA nozīmē, ka vairāk nekā 8 litri ūdens plūst minūtē pa pilnībā atvērtu krānu).
3. Tiklīdz visi pieslēgumi ir veikti, atgrieziet ūdens padevi un pārbaudiet, vai nav noplūžu.
4. Pārlicinieties, ka jaunās ūdens padeves šļūtenes nav saspiestas, samezgotas un salietas.
- Ja veļasmašīna tiek pieslēgta karstā ūdens padevei, karstā ūdens temperatūra nedrīkst pārsniegt 70 °C.

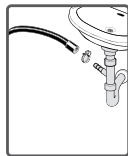
Latviešu valoda



**Piezīme:** veļasmašīna jāpieslēdz ūdens padevei, izmantojot tikai jaunās komplektācijā iekļautās šļūtenes. Vecas šļūtenes nedrīkst izmantot.

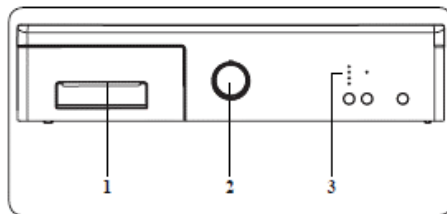
## Ūdens noteces šļūtenes pievienošana

- Pievienojiet noteces šļūteni statnei vai izvades likumam zem izlietnes, izmantojot papildu aprīkojumu.
- Nemēģiniet pagarināt noteces šļūteni.
- Nenovietojiet veļasmašīnas ūdens noteces šļūteni stūrī, spainī vai vannā.
- Pārlicinieties, ka noteces šļūtene nav saliekusies vai savijusies.
- Noteces šļūtene nedrīkst būt vairāk nekā 100 cm no zemes.



## VADĪBAS PANEĻA PĀRSKATS

1. Mazgāšanas līdzekļa atvilktnē
2. Programmu regulators
3. Elektroniskais displejs un papildu funkcijas



### Mazgāšanas līdzekļa atvilktnē

1. Šķidrā mazgāšanas līdzekļa nodalījums nodrošina tā vienmērīgu izdalīšanos mazgāšanas laikā.
2. Mazgāšanas līdzekļa tvertne
3. Veļas mīkstinātāja dozators
4. Mazgāšanas līdzekļa dozators priekšmazgāšanai

### Nodalījumi

#### Mazgāšanas līdzekļa dozators:

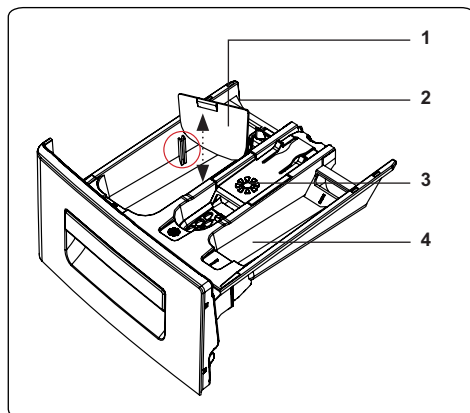
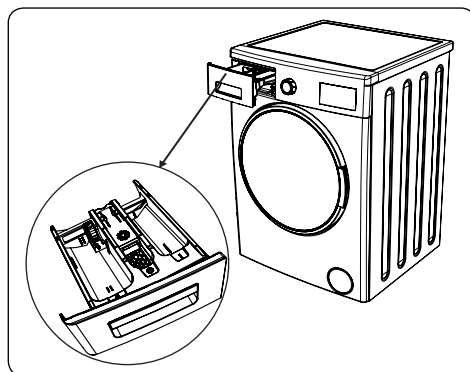
Šis nodalījums ir šķidrājam vai pulverveida mazgāšanas līdzeklim vai kaļķakmens noņēmējiem.

#### Veļas mīkstinātājs, ciete, mazgāšanas līdzeklis:

Šis nodalījums ir paredzēts mīkstinošajiem līdzekļiem, veļas mīkstinātājam vai cieteī. Ievērojiet uz iepakojuma norādītos ražotāja norādījumus. Ja veļas mīkstinātājs atstāj pēdas uz veļas pēc lietošanas, mēģiniet to atšķaidīt vai izmantot šķidro veļas mīkstinātāju.

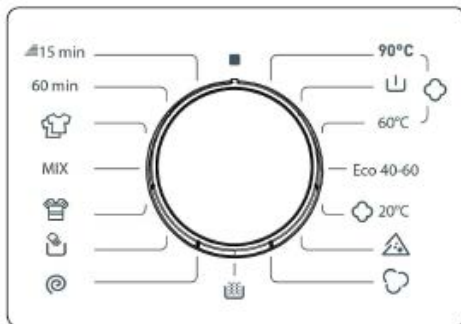
#### Mazgāšanas līdzekļa dozators priekšmazgāšanai:

Jums jāizmanto šis dozators tikai tad, ja esat izvēlējies priekšmazgāšanas funkciju. Mēs iesakām izmantot priekšmazgāšanas funkciju tikai ļoti netīrai veļai.



## Programmu regulators

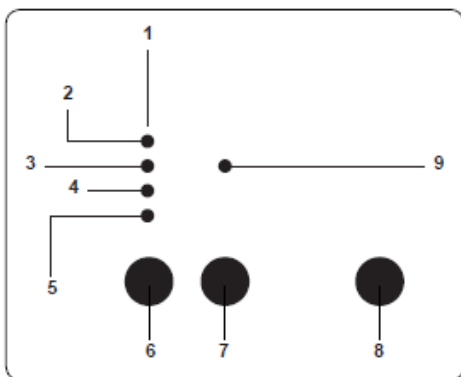
- Lai izvēlētos vēlamo programmu, pagrieziet programmu regulatoru pulksteņrādītāja kustības virzienā vai pretēji pulksteņrādītāja kustības virzienam, tiklīdz atzīme uz programmu regulatora norāda uz izvēlēto programmu.
- Pārliedzinieties, ka programmu regulators norāda precīzi uz jūsu vēlamo programmu.



## Elektroniskais displejs

1. Panelis ar displeju
2. Darbības indikators (mazgāšana)
3. Skalošanas indikators
4. Veļas izgriešanas indikators
5. Programmas pabeigšanas indikators
6. Atliktā starta poga
7. Ātrās mazgāšanas poga
8. SĀKT/PAUZE poga
9. Papildu funkcijas indikators – ātrā mazgāšana

Displejā redzams atliktā starta taimeris (ja iestatīts), temperatūra, visas papildu funkcijas, ko esat izvēlējis, un darbojošās programmas pašreizējā fāze (priekšmazgāšana / mazgāšana – skalošana – veļas izgriešana).



Kad izvēlēta programma beidzas, displejā parādās END (Beigas). Displejā redzams arī, vai veļasmašīnai ir darbības traucējumi.



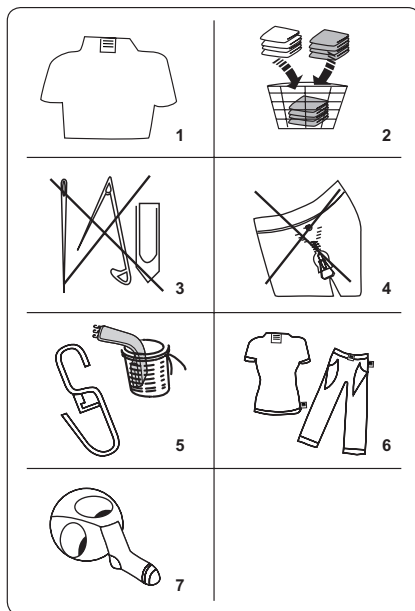
# VEĻASMAŠĪNAS LIETOŠANA

## Veļas sagatavošana

1. Ievērojiet norādījumus uz apģērbu etiķetēm.
  - Šķirojiet veļu pēc veida (kokvilna, sintētika, smalki audumi, vilna utt.), mazgāšanas temperatūras (auksts, 30 °, 40 °, 60 ° vai 90 °) un netīrības (nedaudz netīras, notraipītas, ļoti netīras drēbes).
2. Nemazgājiet kopā baltas un krāsainas drēbes.
  - Tumši apģērbi var saturēt vairāk krāsas, un tie jāmazgā atsevišķi vairākas reizes.
3. Pārlicinieties, ka uz apģērbiem un kabatās nav metāla priekšmetu, ja ir, noņemiet tos.

**UZMANĪBU:** garantija neattiecas uz darbības traucējumiem, kas radušies svešķermeņu dēļ.

4. Aizveriet rāvējslēdzus, visus āķišus un cilpiņas.
5. Noņemiet aizkaru plastmasas vai metāla āķus vai ievietojiet tos mazgāšanas tīkliņā vai maisā.
6. Izgrieziet apģērbu, piemēram, bikses, adījumus, T-krekus un sporta džemperus uz otru pusi.
7. Mazgājiet zeķes, kabatlakatiņus un līdzīgas mazas lietas mazgāšanas tīkliņā.



## Apģērbu kopšanas simboli

 Normāla mazgāšana	 Maksimālā mazgāšanas temperatūra ir 90°C	 Maksimālā mazgāšanas temperatūra ir 60°C
 Maksimālā mazgāšanas temperatūra ir 30°C	 Mazgāšana ar rokām	 Mazgāt aizliegts
 Drīkst balināt	 Nedrīkst balināt	 Maksimālā gludināšanas temperatūra 110°C
 Maksimālā gludināšanas temperatūra 150°C	 Maksimālā gludināšanas temperatūra 200°C	 Negludināt
 Drīkst tīrīt ķīmiski	 Ķīmiskā tīrīšana aizliegta	 Atlocīt plakanu
 Pakarināt, kad slapjš	 Žāvējiet pakarinot	 Nelieciet centrifūgā
 Drīkst tīrīt ar benzīnu, spirtu un trifluorhloretānu	 Drīkst tīrīt ar benzolu, perhloretilēnu	 Drīkst tīrīt ar perhloretilēnu, R11, R113 un benzīnu

## Veļas ievietošana veļasmašīnā

- Atveriet veļasmašīnas durvis.
- Vienmērīgi ievietojiet veļu veļasmašīnā.

**PIEZĪME:** nepārsniedziet maksimālo ievietojamās veļas daudzumu, jo tas novedīs pie sliktiem mazgāšanas rezultātiem un veļas saburzišanās. Informācija par veļasmašīnas ietilpību ir atrodama mazgāšanas programmu tabulā.

Sekojošajā tabulā ir norādīts aptuvenais biežāko veļas veidu svars.

VEĻAS VEIDS	SVARS (g)
Dvielis	200
Gultas veļa	500
Halāts	1 200
Sega	700
Spilvendrāna	200

Apakšveļa	100
Galdauts	250

- Ievietojiet katru veļas gabalu atsevišķi.
- Pārliecinieties, ka nekas neiesprūst starp gumijas blīvi un durvīm.
- Viegli piespiediet durvis, līdz tās noklikšķ.
- Pārliecinieties, ka durvis ir pilnībā aizvērtas, pretējā gadījumā programma nesāksies.

## Mazgāšanas līdzekļa pievienošana veļasmašīnai

Mazgāšanas līdzekļa daudzums ir atkarīgs no šādiem kritērijiem:

- ja veļa ir nedaudz netīra, neizmantojiet priekšmazgāšanu. Ielejiet/ieberiet nedaudz mazgāšanas līdzekļa (atbilstoši ražotāja norādījumiem) mazgāšanas līdzekļa atvilktnes nodalījumā II;
- ja veļa ir ļoti netīra, izvēlieties priekšmazgāšanas programmu un ielejiet/ieberiet ¼ no izmantojamā mazgāšanas līdzekļa tā atvilktnes nodalījumā I un pārējo nodalījumā II;
- izmantojiet mazgāšanas līdzekļus, kas paredzēti automātiskajām veļasmašīnām. Ievērojiet ražotāja norādījumus par izmantotā mazgāšanas līdzekļa daudzumu;
- vairāk mazgāšanas līdzekļa ir nepieciešams rajonos ar ciētu ūdeni;
- ievietojot vairāk veļas, jāizmanto vairāk veļas mazgāšanas līdzekļa;
- veļas mikstinātāju ielejiet mazgāšanas līdzekļa atvilktnes vidējā nodalījumā; Nepārsniedziet MAX (Maks.) atzīmi;
- biezs veļas mikstinātājs var nosprostot atvilktni un jāatšķaida;
- šķidrās veļas mazgāšanas līdzekļus var izmantot visām programmām bez priekšmazgāšanas. Šādā gadījumā ievietojiet šķidrā veļas mazgāšanas līdzekļa līmeņa mēritāju mazgāšanas līdzekļa atvilktnes nodalījumā II līdzās. Izmantojiet līnijas uz mēritāja kā norādi, lai uzpildītu atvilktni līdz vēlamajam līmenim.

## Veļasmašīnas darbība

1. Pieslēdziet veļasmašīnu elektrotīklam.
  2. Atgrieziet ūdens padevi.
- Atveriet veļasmašīnas durvis.
  - Vienmērīgi ievietojiet veļu veļasmašīnā.
  - Viegli piespiediet durvis, līdz tās noklikšķ.

## Programmas izvēle

Izmantojiet programmu tabulu, lai izvēlētos vispiemērotāko programmu savai veļai.

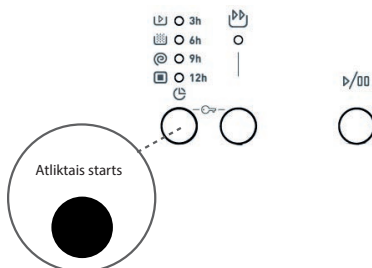
## Daļējas slodzes noteikšanas sistēma

Jūsu veļasmašīnai ir daļējas slodzes noteikšanas sistēma.

Ja ieliksiet veļasmašīnā mazāk nekā pusi no maksimālā veļas ielādes daudzuma, tā automātiski iestatīs daļējas noslodzes funkciju, neskatoties uz izvēlēto programmu. Tas nozīmē, ka būs nepieciešams mazāks laiks izvēlētas programmas izpildei un tiks patērēts mazāk enerģijas un ūdens.

## Atliktā starta taimeris

- Nospiediet vienreiz Delay Start (Atliktais starts) pogu.
- Parādīsies "3h" indikators.
- Nospiediet Delay Start (Atliktais starts) pogu atkārtoti, līdz iedegsies indikators ar vēlamo atliktā starta iestatījumu (3, 6, 9 vai 12 stundas).
- Ja palaižat garām atliktā starta laiku, kuru vēlaties iestatīt, turpiniet spiest Delay Start (Atliktais starts) pogu, līdz vēlamais laiks atkal tiek attēlots.
- Lai aktivizētu izvēlēto atliktā starta laiku, nospiediet jebkuru papildu funkcijas pogu (izņemot Sākt / Pauze pogu).



- Izmantojiet SĀKT / PAUZE pogu, lai sāktu atliktā starta atskaiti.
- Lai atceltu atliktā starta funkciju pēc iestatīšanas, nospiediet vienreiz Delay Start (Atliktais starts) pogu. Atliktā starta indikators nodzisis.
- Lai ieliktu / izņemtu veļu, kad aktivā starta funkcija ir aktīva, jānospiež Sākt / pauze poga. Pēc veļas ievietošanas / izņemšanas vēlreiz jānospiež Sākt / Pauze poga, lai aktivizētu atliktā starta funkciju.

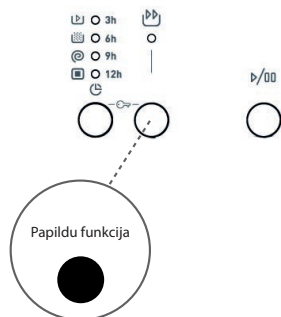
## Ātrā mazgāšana: papildu funkcija

Izmantojot šo funkciju, iespējams izmazgāt veļu ātrāk un patērējot mazāk enerģijas un ūdens.

Mēs iesakām izmantot šo iespēju tikai tad, ja mazgājat mazāk nekā pusi no maksimālā veļas ielādes daudzuma izvēlētajai programmai.

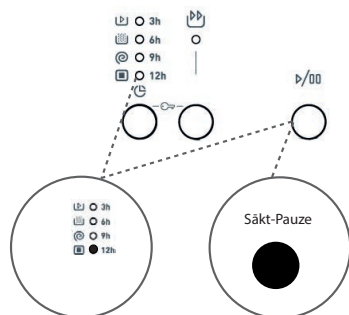
Izvēlieties šo funkciju, nospiežot Quick Wash (Ātrā mazgāšana) pogu. Ātrās mazgāšanas indikators iedegsies.

**PIEZĪME:** ja ieliksiet veļasmašīnā mazāk nekā pusi no maksimālā veļas ielādes daudzuma, tā automātiski iestāsīs daļējas noslodzes funkciju, neskatoties uz izvēlēto programmu. Tas nozīmē, ka būs nepieciešams mazāks laiks izvēlētas programmas izpildei un tiks patērēts mazāk enerģijas un ūdens. Ja veļasmašīna nosaka nepilnu ielādi, ātrās mazgāšanas simbols automātiski parādīsies displejā.



## Sākt / Pauze poga

Lai sāktu izvēlēto programmu, nospiediet Sākt / Pauze pogu. Iedegas darbības (mazgāšanas) indikators.



## Bērnu bloķēšana

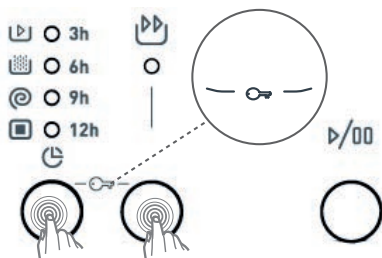
Bērnu bloķēšanas funkcija ļauj nobloķēt pogas, lai izvēlēto mazgāšanas ciklu nevarētu nejauši mainīt.

Lai aktivizētu bērnu bloķēšanu, nospiediet un turiet nospiešanas vienlaicīgi papildu funkciju pogas, kā parādīts, vismaz 3 sekundes. Kad bērnu bloķēšana ir aktīva, degs papildu funkcijas indikators panelī.

Ja nospiedīsiet jebkādu pogu vai mainīsiet izvēlēto programmu ar programmu regulatoru, kamēr bērnu nobloķēšana ir aktīva, papildu funkcijas indikators sāks mirgot displejā.

Ja veļasmašīna jau mazgā, kamēr bērnu nobloķēšana ir aktīva, un jūs mēģiniet mainīt programmu, griežot programmu regulatoru, "0" pozīcijā un tad līdz vēlamajai programmai, veļasmašīna turpinās mazgāt bez izmaiņām.

Lai deaktivizētu bērnu bloķēšanu, nospiediet un turiet nospiešanas vienlaicīgi papildu funkciju pogas vismaz 3 sekundes.



## Programmas atcelšana

Izvēlēto programmu var atcelt jebkurā brīdī:

1. Pagrieziet programmu regulatoru "0" pozīcijā.
2. Veļasmašīna aptur mazgāšanas ciklu un programma ir atcelta.
3. Izlaidiet ūdeni no veļasmašīnas, pagriežot PROGRAMMU regulatoru uz kādu citu programmu.
4. Veļasmašīna izlaidīs ūdeni un atceļ programmu.








Tagad varat izvēlēties un palaist jaunu programmu.

## Programmas beigas

Veļasmašīna pati apstāsies, kad izvēlēta programma beigsies.

- Programmas beigu indikators deg panelī.
- Jūs varat atvērt veļasmašīnas durvis un izņemt veļu.
- Atstājiet veļasmašīnas durvis atvērtas, lai iekšpuse varētu izžūt.
- Pagrieziet programmu regulatoru "0" pozīcijā.
- Atvienojiet veļasmašīnu no elektrotīkla.
- Aizveriet ūdens padevi.

## PROGRAMMU TABULA

Programma	Temperatūra (°C)	Maksimālā sausas veļas ietilpība (kg)	Nodalījums	Ilgums (minūtes)	Veļas veids / apraksts
KOKVILNA 90°	90	5,0	2	176	Ļoti netīra kokvilnas un lina veļa. (Apakšveļa, gultas veļa, galdauti, dvieļi (maksimums 2,5 kg), palagi u.c.)
Priekšmazgāšana – Kokvilna	60	5,0	1+2	156	Netīra kokvilnas un lina veļa. (Apakšveļa, gultas veļa, galdauti, dvieļi (maksimums 2,5 kg), palagi u.c.)
KOKVILNA 60 °C	60	5,0	2	190	Netīra kokvilnas un lina veļa. (Apakšveļa, gultas veļa, galdauti, dvieļi (maksimums 2,5 kg), palagi u.c.)
EKO 40-60	40	5,0	2	180	Netīra kokvilnas un lina veļa. (Apakšveļa, gultas veļa, galdauti, dvieļi (maksimums 2,5 kg), palagi u.c.)
KOKVILNA 20 °C	20	2,5	2	96	Mazāk netīra kokvilnas un lina veļa. (Apakšveļa, gultas veļa, galdauti, dvieļi (maks. 2 kg), palagi u.c.)
Sintētika 	40	3,0	2	110	Ļoti netīra sintētiskas veļa. (Neilona sieviešu garās zeķes, T-krekli, blūzes, sintētiskas sajaukumi u.c.)
VILNA 	30	2,0	2	39	Vilnas veļa ar norādi uz etiķetes, ka var mazgāt veļasmašīnā.
SKALOŠANA 	--	5,0	--	36	Papildu skalošana jebkura veida veļai pēc mazgāšanas.
VEĻAS IZGRIEŠANA 	--	5,0	--	15	Papildu veļas izgriešana jebkura veida veļai pēc mazgāšanas.
SMALKVEĻA / MAZGĀŠANA AR ROKĀM 	30	2,0	2	90	Veļa, kurai ir ieteicama mazgāšana ar rokām, vai smalkai veļai.
KRĀSAINA VEĻA 40 °C 	40	3,0	2	180	Mazāk netīra kokvilnas un lina veļa. (Apakšveļa, gultas veļa, galdauti, dvieļi (maks. 2 kg), palagi u.c.)
JAUKTA VEĻA	30	3,0	2	81	Var mazgāt kopā netīru kokvilnas, krāsainu un lina veļu.
BLŪZES / KREKLI 	60	3,0	2	107	Var mazgāt kopā netīru kokvilnas, sintētiskas un sintētiskas sajaukumu veļu, T-krekļus, blūzes.
ĀTRĀ 60 min.	60	2,0	2	60	Netīru kokvilnas, krāsainu un lina veļu var mazgāt 60 °C temperatūrā 60 minūtes.
ĀTRĀ 15 min. *	30	2,0	2	15	Nedaudz netīra kokvilnas, lina un krāsota veļa.

\* Šīs programmas īsā mazgāšanas laika dēļ mēs iesakām izmantot mazāk mazgāšanas līdzekļa. Ja veļasmašīna nosaka nevienmērīgu ielādi, programma var ilgt ilgāk nekā 15 minūtes. Jūs varat atvērt veļasmašīnas durvis 2 minūtes pēc mazgāšanas cikla beigām. (Šīs divu minūšu periods nav iekļauts programmas ilgumā).

## **PIEZĪME:** PROGRAMMAS ILGUMS VAR MAINĪTIES ATKARĪBĀ NO VEĻAS DAUDZUMA, ŪDENS TIPI, APKĀRTĒJĀS TEMPERATŪRAS UN IZVĒLĒTĀJĀM PAPILDU FUNKCIJĀM.

- Ja ieliekat 2 kg vai mazāk veļas veļasmašīnā, veļasmašīna sāks automātisko ciklu, kas ilgs 30 minūtes.
- Šīs programmas īsā mazgāšanas laika dēļ mēs iesakām izmantot mazāk mazgāšanas līdzekļa. Ja veļasmašīna nosaka nevienmērīgu ielādi, programma var ilgt ilgāk nekā 15 minūtes. Jūs varat atvērt veļasmašīnas durvis 2 minūtes pēc mazgāšanas cikla beigām. (Šis divu minūšu periods nav iekļauts programmas ilgumā).
- Saskaņā ar regulu 1015/2010 un 1061/2010 programma 3 ar temperatūras iespējām ir "Standarta programma kokvilnai ar 60 °C temperatūru" un "Standarta programma kokvilnai ar 40 °C temperatūru".
- Eko 40-60 programma var kopā mazgāt standarta netīru kokvilnas veļu ar ieteicamo mazgāšanas temperatūru 40 °C vai 60 °C vienā ciklā, un to izmanto, lai novērtētu atbilstību ES ekodizaina likumdošanai.
- Visefektīvākās programmas attiecībā uz enerģiju parasti ir tās programmas, kas mazgā ilgāk ar zemāku temperatūru.
- Veļasmašīnas piepildīšana līdz ražotāja norādītajam ielādes daudzumam attiecīgajām programmām veicinās enerģijas un ūdens ietaupījumu.
- Programmas ilguma, enerģijas patēriņa un ūdens patēriņa vērtības var atšķirties atkarībā no veļas svara un veida, izvēlētajām papildu funkcijām, ūdens tipa un apkārtējās temperatūras.
- Ir ieteicams izmantot šķīdros mazgāšanas līdzekļus mazgāšanas programmām, kas mazgā pie zemām temperatūrām. Mazgāšanas līdzekļa daudzums ir atkarīgs no veļas daudzuma un netīrības pakāpes. Ievērojiet veļas mazgāšanas ražotāja norādījumus par izmantotā mazgāšanas līdzekļa daudzumu.
- Veļas izgriešanas ātrums ietekmē troksni un atlikušā mitruma saturu. Jo lielāks veļas izgriešanas ātrums veļas izgriešanas fāzē, jo lielāks troksnis un mazāks atlikušā mitruma saturs.
- Jūs varat piekļūt produktu datu bāzei, kur tiek uzglabāta modeļa informācija, nolasot QR kodu uz enerģijas marķējuma.

## **Svarīga informācija**

- Izmantojiet tikai veļas mazgāšanas līdzekļus, veļas mikstinātājus un piederumus, kas piemēroti automātiskām veļasmašīnām. Veidojās pārmērīgas putas un automātiskā putu absorbcijas sistēma tika aktivizēta pārāk daudz izmantotā mazgāšanas līdzekļa izmantošanas dēļ.
- Mēs iesakām regulāri tīrīt veļasmašīnu ik pēc 2 mēnešiem. Izmantojiet veļas tīrīšanas programmu regulārai tīrīšanai. Ja jūsu veļasmašīnai nav veļas tīrīšanas programmas, izmantojiet Kokvilna 90 programmu. Ja nepieciešams, izmantojiet tikai piemērotus atkaļķošanas līdzekļus, kas īpaši paredzēti veļasmašīnām.
- Nekad neatveriet veļasmašīnas durvis, kamēr tā darbojas. Jūs varat atvērt veļasmašīnas durvis 2 minūtes pēc mazgāšanas cikla beigām.
- Uzstādīšana un remonts vienmēr ir jāveic pilnvarota servisa centra pārstāvim, lai izvairītos no iespējamjiem riskiem. Ražotājs nav atbildīgs par bojājumiem, kas var rasties nepilnvarotu personu darbību rezultātā.

## **TĪRĪŠANA UN APKOPE**

### **Brīdinājums!**

**Pirms apkopes un tīrīšanas veikšanas izslēdziet ierīci un izraujiet barošanas vadu no sienas rozetes. Pirms veļasmašīnas apkopes un tīrīšanas sākšanas aizgrieziet ūdens padevi.**

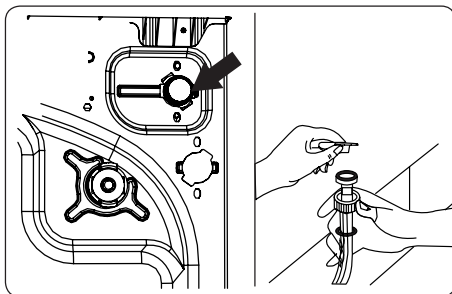
**Neizmantojiet šķīdinātājus, abrazīvus tīrīšanas līdzekļus, stikla tīrīšanas līdzekļus un universālus tīrīšanas līdzekļus, lai tīrītu veļasmašīnu. Tajos esošās ķīmikālijas var sabojāt ierīces plastmasas virsmas un citas sastāvdaļas.**

## Ūdens padeves filtri

Filtri ūdens padeves caurulē novērš netīrumu un svešķermeņu iekļūšanu veļasmašīnā.

Mēs iesakām iztīrīt šos filtrus tiklīdz nepietiekošs ūdens daudzums ieplūst veļasmašīnā, kaut arī ūdens padeve ir pieslēgta un krāns ir atvērts. Mēs iesakām tīrīt šos filtrus ik pēc 2 mēnešiem.

- Atskrūvējiet padeves šļūteni(-es) no veļasmašīnas.
- Lai izņemtu ūdens padeves filtru no uzpildes vārsta, izmantojiet garas kņables un uzmanīgi noņemiet plastmasas stieni no filtra.
- Otrs ūdens padeves filtrs atrodas padeves šļūtenes, kas savienota ar krānu, galā. Lai izņemtu otru ūdens padeves filtru, izmantojiet garas kņables un uzmanīgi noņemiet plastmasas stieni no filtra.
- Kārtīgi notīriet filtru ar mīkstu suku, nomazgājiet ziepjainā ūdenī un kārtīgi noskalojiet. Viegli iespiediet filtru atpakaļ vietā.



**UZMANĪBU:** filtrs ūdens padeves vārstā var būt aizsērējis sliktas ūdens kvalitātes vai nepietiekamas apkopes dēļ un tādējādi var tikt bojāts. Tas var radīt ūdens noplūdi. Uz šādiem bojājumiem garantija neattiecas.

## Sūkņa filtrs

Sūkņa filtrēšanas sistēma jūsu veļasmašīnā paildzina sūkņa kalpošanas laiku, novēršot netīrumu iekļūšanu veļasmašīnā. Mēs iesakām sūkņa filtru tīrīt ik pēc 2 mēnešiem.

Sūkņa filtrs atrodas aiz vāciņa apakšējā labajā stūrī.

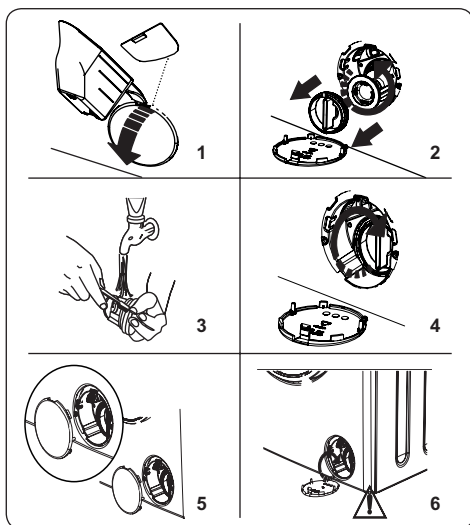
Sūkņa filtra tīrīšana:

1. Atveriet vāciņu. Jūs varat izmantot šķidrā mazgāšanas līdzekļa nodalījumu, skatīt attēlu.
2. Ievietojiet mazgāšanas līdzekļa kausa galu vai šķidrā mazgāšanas līdzekļa mērkociņu vāciņa atverē un viegli paspiediet uz aizmuguri. Vāciņš atvēršies.
3. Pirms atvēršanas novietojiet tvertni zem filtra vāciņa, kurā satecētu veļasmašīnā palikušais ūdens.
4. Atbrīvojiet filtru, griežot to pretēji pulksteņrādītāja virzienam un velciet, lai izņemtu. Pagaidiet, līdz iztek ūdens.

**PIEZĪME:** atkarībā no ūdens daudzuma veļasmašīnā jums var būt jāiztukšo tvertne vairākas reizes.

5. Izmantojiet mīkstu suku, lai notīrītu svešķermeņus no filtra.
6. Pēc tīrīšanas ievietojiet atpakaļ filtru un griežiet pulksteņrādītāja kustības virzienā, lai nofiksētu.
7. Liekot atpakaļ filtra vāciņu, pārliecinieties, ka skavas vāciņa iekšpusē ietilpst caurumos priekšējā panelā malā.
8. Aizveriet filtra vāciņu.

**BRĪDINĀJUMS:** ūdens sūknī var būt karsts; pagaidiet, līdz tas atdziest pirms tīrīšanas vai apkopes.

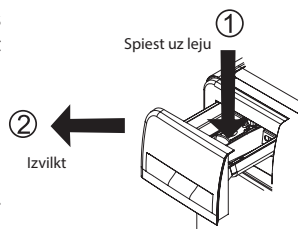


## Mazgāšanas līdzekļa atvilktnē

Mazgāšanas līdzekļa izmantošana ar laiku atstās nogulsnes mazgāšanas līdzekļa atvilktnē. Mēs iesakām izņemt atvilktni ik pēc 2 mēnešiem un iztīrīt uzkrājušās nogulsnes.

Mazgāšanas līdzekļa atvilktnes izņemšana:

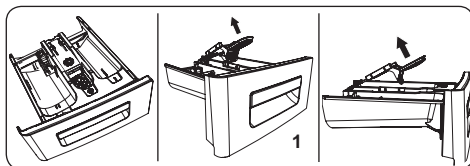
- pavelciet atvilktni uz priekšu, līdz tā pilnībā iznāk ārā;
- uzmanīgi uzspiediet uz atvilktnes (skatiet attēlu tālāk) un izvelciet to;
- iztīriet atvilktni ar ūdeni un mikstu suku;
- ja atvilktnē ir palikušas nogulsnes, iztīriet tās ar mikstu suku. Pārliecinieties, ka nekādas nogulsnes neiekļūst veļasmašīnā;
- kārtīgi izslaukiet atvilktni un iebidiet to atpakaļ;
- **nezagājiet mazgāšanas līdzekļa atvilktni trauku mazgājamajā mašīnā.**



## Noskalošanas aizbāznis / korpuss / veļas tilpne

### 1. Noskalošanas aizbāznis

Izņemiet mazgāšanas līdzekļa atvilktni un izņemiet noskalošanas tapu. Kārtīgi notīriet visas veļas mikstinātāja atliekas. Pēc tīrīšanas ievietojiet atpakaļ noskalošanas aizbāzni un pārbaudiet, vai tas ir pareizi ievietots.



### 2. Korpuss

Izmantojiet vieglu neabrazīvu tīrīšanas līdzekli vai ziepes un ūdeni, lai notīrītu ārējo korpusu. Noslaukiet ar mikstu drānu.

### 3. Veļas tilpne

Neatstājiet veļasmašīnā nekādas metāla priekšmetus, piem., adatas, saspraudes, monētas u.tml. Šie priekšmeti veicina veļas tilpnes rūšēšanu. Izmantojiet bezhlora tīrīšanas līdzekli un ievērojiet ražotāja norādījumus rūsas tīrīšanai. Neizmantojiet skrāpi vai līdzīgu cietu priekšmetu rūsas tīrīšanai.

## PROBLĒMU NOVĒRŠANA

Veļasmašīnu jātaisa pilnvarotam servisa centram. Ja veļasmašīnai ir nepieciešams remonts vai jūs nevarat atrisināt problēmu, sekojot šeit sniegtajām instrukcijām, jums:

- jāatvieno veļasmašīna no elektrotīkla;
- jāaizver ūdens padeve.

KĻŪDA	IESPĒJAMĀIS CĒLONIS	PROBLĒMU NOVĒRŠANA
Veļasmašīna neieslēdzas.	Veļasmašīna nav pieslēgta elektrotīklam.	Pieslēdziet veļasmašīnu elektrotīklam.
	Drošinātāji ir bojāti.	Nomainiet drošinātājus.
	Nav elektrības.	Pārbaudiet enerģapgādes stāvokli.
	Sākt/Pauze poga netika nospiesta.	Nospiediet pogu Sākt/Pauze
	Programmu regulators ir „Stop” (Apturēt) stāvoklī.	Pagrieziet programmu slēdzi uz nepieciešamo pozīciju.
	Nav aizvērtas veļasmašīnas durvis.	Aizveriet veļasmašīnas durvis.



KĻŪDA	IESPĒJAMĀIS CĒLONIS	PROBLĒMU NOVĒRŠANA
Veļasmašīna nepiepildās ar ūdeni.	Ir aizvērts ūdens krāns.	Atveriet ūdens krānu.
	Ūdens padeves šļūtene var būt savijusies.	Pārbaudiet ūdens padeves šļūteni un atmezglājiet to.
	Ūdnes padeves šļūtene ir aizsērējusi.	Iztīriet iepļūdes šļūtenes filtrus. (*)
	Aizsērējis iepļūdes filtrs.	Iztīriet ūdens padeves filtrus. (*)
	Nav aizvērtas veļasmašīnas durvis.	Aizveriet veļasmašīnas durvis.
Veļasmašīna nenovada ūdeni.	Noteces šļūtene ir aizsērējusi vai savijusies.	Pārbaudiet ūdens noteces šļūteni un iztīriet vai atmezglājiet to.
	Aizsērējis sūkņa filtrs.	Iztīriet sūkņa filtru. (*)
	Veļa ir pārāk saplacināta kopā veļas tilpnē.	Vienmērīgi ievietojiet veļu veļasmašīnā.
Veļasmašīna vibrē.	Kājiņas nav noregulētas.	Noregulējiet kājiņas. (**)
	Nav izņemtas transportēšanas skrūves.	Izņemiet transportēšanas skrūves no veļasmašīnas. (**)
	Pārāk maz veļas tilpnē.	Tas neaizkavē veļasmašīnas darbību.
	Veļasmašīna ir pārlādēta ar veļu vai veļa ir nevienmērīgi izklidēta.	Nepārlādējiet veļas tilpni. Vienmērīgi izklidējiet veļu tilpnē.
	Veļasmašīna ir novietota uz cietas virsmas.	Novietojiet veļasmašīnu uz cietas virsmas.
Pārmērīga putu veidošanās mazgāšanas līdzekļa atvilktnē.	Tika izmantots pārāk daudz veļas mazgāšanas līdzekļa.	Nospiediet Sākt/Pauze pogu. Lai novērstu putošanos, izšķīdiniet vienu ēdamkaroti veļas mikstinātāja puslitrā ūdens un ielejiet to mazgāšanas līdzekļa atvilktnē. Pēc 5–10 minūtēm nospiediet Sākt/Pauze pogu.
	Tika izmantots nepiemērots veļas mazgāšanas līdzeklis.	Izmantojiet tikai tādas mazgāšanas līdzekļus, kas paredzēti automātiskajām veļasmašīnām.



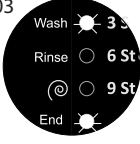
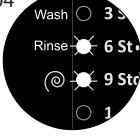
KĻŪDA	IESPĒJAMĀIS CĒLONIS	PROBLĒMU NOVĒRŠANA
Neapmierinoši mazgāšanas rezultāti.	Veļa ir pārāk netīra izvēlētajai programmai.	Izmantojiet programmu tabulā sniegto informāciju, lai izvēlētos atbilstošāko programmu.
	Tika izmantots pārāk maz veļas mazgāšanas līdzekļa.	Izmantojiet pareizu daudzumu veļas mazgāšanas līdzekļa atbilstoši norādījumiem uz iepakojuma.
	Veļasmašīnā ir pārāk daudz veļas.	Pārbaudiet, lai netiek pārsniegta maksimālā veļas ielāde izvēlētajai programmai.
	Ciets ūdens.	Palieliniet veļas mazgājamā līdzekļa daudzumu atbilstoši ražotāja norādījumiem.
	Veļa ir pārāk saplacināta kopā veļas tilpnē.	Pārliecinieties, ka veļa ir vienmērīgi izklīdēta veļas tilpnē.
Tiklīdz veļasmašīna piepildās ar ūdeni, ūdens tiek izlaists ārā.	Noteces šļūtenes gals ir pārāk zemu veļasmašīnai.	Pārbaudiet, vai noteces šļūtene ir atbilstoši augstumā. (**).
Ūdens nav redzams veļas tilpnē mazgāšanas laikā.	Tas nav darbības traucējums. Ūdens atrodas veļas tilpnes daļā, kas nav redzama.	-
Mazgāšanas līdzekļa atliekas pielīp pie veļas.	Nešķīstošas daļiņas dažos mazgāšanas līdzekļos var parādīties kā balti punkti uz veļas.	Pēc žāvēšanas veiciet vēl vienu skalošanas ciklu vai notīriet veļu ar suku.
Uz veļas redzami pelēki traipi.	Uz veļas ir neapstrādāti eļļas, krēma vai ziedes traipi.	Nākamajā mazgāšanas reizē izmantojiet pareizu daudzumu veļas mazgāšanas līdzekļa atbilstoši norādījumiem uz iepakojuma.
Veļas izgriešanas cikls nav vai norit vēlāk nekā vajadzētu.	Tas nav darbības traucējums. Ir aktivizēta nevienmērīgas slodzes sistēma.	Nevienmērīgas slodzes kontroles sistēma mēģinās vienmērīgi izklīdēt veļu tilpnē. Veļas izgriešana sāksies, kad veļa tiks izklīdēta. Nākamajā mazgāšanas reizē izvietojiet veļu vienmērīgi veļas tilpnē.

(\*) Skat. sadaļu par veļasmašīnas apkopi un tīrīšanu.

(\*\*) Skat. sadaļu par veļasmašīnas uzstādīšanu.

## Kļūdu kodi un to risinājums

Veļasmašīna ir aprīkota ar iebūvētu kļūdu noteikšanas sistēmu. Par darbības traucējumiem norāda degošu indikatoru kombinācija. Izplatītākie kļūdu kodi ir norādīti tālāk.

KĻŪDAS KODS	IEMESLS	RISINĀJUMS
E01 	Veļasmašīnas durvis nav pilnīgi aizvērtas.	Kārtīgi aizveriet durvis, līdz dzirdat klikšķi. Ja veļasmašīna joprojām uzrāda darbības traucējumu, izslēdziet veļasmašīnu, atvienojiet to no strāvas padeves un sazinieties ar tuvāko oficiālo servisa centru.
E02 	Nepietiekošs ūdens spiediens vai pārāk zems ūdens līmenis veļasmašīnā.	Pārbaudiet, vai krāns ir pilnībā atvērts. Ūdens padeve var būt atslēgta. Ja problēma turpinās, veļasmašīna pēc brīža automātiski apstāsies. Atvienojiet veļasmašīnu no rozetes, aizveriet ūdens padevi un sazinieties ar tuvāko pilnvaroto servisa centru.
E03 	Bojāts sūknis, aizsērējis sūknis vai sūkņa elektriskā savienojuma defekts.	Iztīriet sūkņa filtru. Ja problēma turpinās, sazinieties ar tuvāko pilnvaroto servisa centru. (*)
E04 	Pārāk liels ūdens daudzums veļasmašīnā.	Veļasmašīna pati izsūknē ūdeni. Tiklīdz ūdens ir izlaists, izslēdziet veļasmašīnu un izraujiet barošanas vadu no sienas rozetes. Aizveriet ūdens padevi un sazinieties ar tuvāko pilnvaroto servisa centru.

(\*) Skat. sadaļu par veļasmašīnas apkopi un tīrīšanu.

## TEHNISKĀ INFORMĀCIJA

	<b>EFW 1053 MD</b>
Iebūvējama ierīce	Nē
Maksimālā veļas ielāde (sausā veļa) kg	5
Izmēri (A x G x P) [mm]	845 x 597 x 497
Nominālais spriegums	220 - 240 V ~ 50 Hz
Ieejas jaudas lietojums	2100 W
Vāka aizturis	10 A
Ūdens spiediens (MPA) MIN./MAKS.	0,1, MPA/ 1, MPA

## ATBRĪVOŠANĀS NO ATKRITUMIEM

letinamais papīrs un kartons – nogādāt pārstrādes punktā. Iepakojuma folija, PE maisi, plastmasas daļas – iemest plastmasas šķirošanas konteineros.

## ATBRĪVOŠANĀS NO IERĪCĒM KALPOŠANAS LAIKA BEIGĀS

**Atbrīvošanās no elektriska un elektroniska aprīkojuma (attiecas uz ES dalībvalstīm un citām Eiropas valstīm, kur ieviesta pārstrādes sistēma)**

Norādītais simbols uz ierīces vai iepakojuma nozīmē, ka ierīci nedrīkst pievienot sadzīves atkritumiem. Nododiet ierīci norādītajā elektriska un elektroniska aprīkojuma pārstrādes punktā. Novērsiet negatīvu ietekmi uz veselību un vidi, parūpējoties par ierīces pareizu pārstrādi. Pārstrāde palīdz taupīt dabas resursus. Lai saņemtu plašāku informāciju par šīs ierīces pārstrādi, sazinieties ar vietējo atbildīgo iestādi, sadzīves atkritumu apstrādes organizāciju vai veikalu, kur ierīci iegādājāties.



08/05



Šī ierīce atbilst ES direktīvu prasībām par elektromagnētisko saderību un elektrisko drošību. Šis izstrādājums atbilst prasībām attiecībā uz smago metālu esamību elektriskajā aprīkojumā.

Lietošanas pamācība ir pieejama vietnē [www.ecg-electro.eu](http://www.ecg-electro.eu).

Tiek paturētas tiesības veikt teksta un tehnisko parametru izmaiņas.

## SAUGOS INSTRUKCIJOS

### Atidžiai perskaitykite ir išsaugokite pasinaudojimui ateityje!

**Perspėjimas:** šiame vadove nurodytos saugos priemonės ir instrukcijos neapima visų galinčių pasitaikyti sąlygų ir situacijų. Naudotojui būtina suprasti, kad bendrasis principas, atsargumas ir priežiūra yra veiksniai, kurių negalima integruoti į jokių produktus. Dėl šios priežasties naudodamasis arba dirbdamas šiuo prietaisu, naudotojas (-ai) turi pasirūpinti, kad šių veiksnių yra paisoma. Mes nesame atsakingi dėl žalos, kurį įvyko gaminio atvežimo metu, dėl netinkamo jo naudojimo, įtampos svyravimų arba kurios nors prietaiso dalies pakeitimo ar modifikavimo.

Vadovaukitės šiame vadove pateikiamomis instrukcijomis. Prieš naudodamiesi pirmąjį kartą atidžiai perskaitykite visas raštiškas instrukcijas ir turėkite jas pasinaudojimui ateityje.

Kad išvengtumėte gaisro arba susižalojimo dėl elektros smūgio, naudodamiesi elektros prietaisais, vadovaukitės pagrindinėmis atsargumo priemonėmis, įskaitant:

1. Įsitikinkite, kad jūsų elektros lizdo įtampa atitinka ant prietaiso tipo plokštelės nurodytą informaciją. Saugos sumetimais maitinimo laido kištukąjunkite prie tinkamai įžeminto trijų kontaktų sieninio lizdo, įrengto pagal galiojantį techninį standartą vadovaujantis gamintojo instrukcijomis ir vietiniais saugos reglamentais.
2. Nenaudokite prietaiso, jei pažeistas jo maitinimo laidas. Prietaiso prijungimo prie maitinimo tinklo ir vandens išvado, o taip pat visus remonto arba reguliavimo darbus, įskaitant maitinimo laido pakeitimą, atlieka įgaliotasis techninės priežiūros centras! Nenuimkite prietaiso apsauginių dangtelių dėl elektros smūgio pavojaus!
3. Šlapiomis rankomis neatjunkite ir neprijunkite maitinimo laido. Išvengsite elektros smūgio rizikos.
4. Nelieskite prietaiso šlapiomis rankomis arba kojomis.
5. Prietaisą įrengus, maitinimo laidas turi būti pasiekiamas. Nesudarykite trumpo jungimo ir nenaudokite elektros ilgiklių arba

ilginamojo laido. Neleiskite maitinimo laidui prisiliesti prie karštų paviršių arba persilenkti už aštrių kampų.

6. Neįjunkite ir neišjunkite prietaiso atjungdami ir įjungdami jo maitinimą. Netraukite laido iš elektros lizdo trūktelėjimo veiksmu. Atjunkite maitinimo laidą nuo elektros lizdo, suėmę už kištuko. Pasinaudoję visada prietaiso sukamąjį parinkiklį perjunkite į padėtį OFF (išjungta), atjunkite prietaiso maitinimą ir užsukite vandens tiekimą.
7. Nedėkite mechanizmo ant kilimų arba panašaus paviršiaus, kuris gali užblokuoti pagrindo vėdinimo angas.
8. Į prietaisą neikiškite jokių objektų arba nedėkite jų ant prietaiso viršaus (pvz., vazų, puodelių ir t.t.).
9. Skalbyklės laido neišveskite į kriauklę, kibirus arba baseinus.
10. Neleiskite vaikams žaisti prietaisu. Saugokite skalbyklę nuo vaikų ir gyvūnų. **Jei neprižiūri suaugęs asmuo, šalia prietaiso nepalikite mažų vaikų iki 3 metų.**
11. Smulkias dalis, tiekiamas maišelyje su dokumentacija, laikykite atokiau nuo vaikų.
12. Nelaikykite prietaiso saulėkaitoje, nenaudokite jo lauke ir nepalikite Lietuje.
13. Šalimais prietaiso nelaikykite degių skysčių.
14. Skalbyklėje neplaukite drabužių, kurie buvo išvalyti, išplauti, išmirkyti arba sutepti degiomis arba sprogstančiomis medžiagomis (vašku, alyva, dažais, benzinu, riebalų tirpinimo priemone, cheminiais tirpikliais, žibalu ir pan.). Naudoti ypač degius ir sprogus arba toksiškus tirpiklius draudžiama. Kaip ploviklio, nenaudokite benzino, alkoholio ir pan. Gali kilti gaisras arba sprogimas. **Draudžiama plauti kilimus.**
15. Veikimo metu nelieskite skalbyklės šlapiomis rankomis. Skalbyklės veikimo arba būgno sukimosi metu niekada neatidarinkite ploviklio stalčiuko arba skalbyklės durelių.
16. Išleisdami vandenį, nelieskite išleidimo žarnos ir išleidžiamo vandens. Skalbyklės veikimo metu vanduo gali pasiekti aukštą temperatūrą.

17. Jei sutriko prietaiso veikimas, pirmiausia atjunkite jo maitinimą ir tada užsukite vandens čiaupą. Nebandykite patys remontuoti prietaiso, kreipkitės į įgaliotąjį techninės priežiūros centrą.
18. Prieš naudodamiesi pirmąjį kartą nepamirškite **IŠSUKTI FIKSUOJAMŲJŲ VARŽTŲ**, kurie laiko skalbyklės būgną transportavimo metu. Pažeidimai, atsiradę paleidus skalbyklę neištrauktais fiksuojamaisiais varžtais, į garantiją neįtraukiami.
19. Šis prietaisas skirtas tik naudojimui namuose ir tik tekstinės medžiagų skalbimui. Komercinio naudojimo atveju arba naudojant ne pagal šias instrukcijas, garantija negalioja.
20. Ši skalbyklė skirta tik naudojimui patalpose.
21. Neįrenkite skalbyklės šlapioje arba drėgnoje patalpoje, o taip pat ten, kur galimas sprogių arba koroziją sukeliančių dujų poveikis.
22. Prietaisu gali naudotis vaikai iki 8 metų ir vyresni bei asmenys su fizine arba psichine negalia, arba neturintys patirties ar žinių, jei juos prižiūri kitas žmogus arba jei jie gavo nurodymų, kaip saugiai naudotis prietaisu ir supranta potencialius pavojus. Naudotojo valymo ir techninės priežiūros procedūrų neleidžiama atlikti jaunesniems nei 8 metų amžiaus vaikams be priežiūros. Jaunesni nei 8 metų vaikai privalo laikytis atokiau šio prietaiso ir jo maitinimo.
23. Bet koks kišimasis į prietaiso darbą kito asmens nei įgaliotasis techninės priežiūros teikėjas, anuliuoja garantines nuostatas.
24. Garantija neapima žalos, kuri atsirado dėl pašalinio poveikio (potvynio, chemikalų, gaisro ir pan.).
25. Gamintojas neatsako už bet kokią žalą, atsiradusią dėl netinkamo įžeminimo / naudojimo. **PAVOJINGA ĮTAMPA, SUSIŽALOJIMO RIZIKA!**

## REKOMENDACIJA

- Prieš pradėdami naudotis nauja skalbykle, kreipkitės pagalbos į kvalifikuotą santechniką arba įgaliotąjį techninės priežiūros centrą dėl įrengimo ir eksploatacijos pradžios.
- Įrenkite skalbyklę gerai vėdinamoje vietoje, kur vyksta adekvatus oro cirkuliavimas. Statykite prietaisą taip, kad iki galo galėtumėte atidaryti skalbyklės dureles. Ši skalbyklė nėra įmontuojama arba integruojama į baldo karkasą.
- Ideali aplinkos temperatūra skalbyklei yra nuo 15 °C iki 25 °C.
- Užšalusios žarnos gali supūti ir įtrūkti. Ten, kur temperatūra nukrenta žemiau nulio, gali sutrikti saugus prietaiso elektronikos grandinių veikimas.

- Rekomenduojame pirmąjį skalbimo ciklą atlikti be skalbinių „90° baltos medvinės“ režimu, įpylus 0,5 matuojamojo puodelio skalbimo priemonės į antrąjį skalbimo priemonės stalčiuką.
- Kadangi dėl ilgalaikio kontakto su oru gali susidaryti skalbimo priemonės arba audinių minkštiklio nuosėdos, skalbimo priemonę ir minkštiklį pilkite į skyrelį tik prieš pat pradėdami suplanuotą skalbimą.
- Rekomenduojame naudoti išankstinio skalbimo programą, jei skalbiniai labai nešvarūs.
- Į skalbyklę sudėtį skalbinių kiekiu neturėtų viršyti didžiausio leistino kiekio. Priešingu atveju skalbyklė veiks saugos režimu.
- Naudokite skalbyklę tik skalbiniams, kurie gamintojo pažymėti kaip tinkami skalbimui skalbyklėje.
- Kai naudojate audinio minkštiklį ir panašius produktus skalbyklėje, vadovaukitės skalbimo priemonės / audinio minkštiklio gamintojo rekomendacijomis.
- Įsitinkite, kad į skalbyklę dedamų drabužių kišenėse nėra pašalinių objektų (tokių kaip vinys, monetos, žiebtuvėliai, degtukai, sąvaržėlės ir pan.). Šie objektai gali sugadinti skalbyklę.
- Skalbiant labai dulketus drabužius taip pat galima sugadinti skalbyklę. Prieš dėdami į skalbyklę labai dulketus drabužius išpurtykite.
- Niekada neatidarykite skalbimo priemonės stalčiuko veikiant skalbyklei.
- Niekada jėga neatidarykite durelių veikiant skalbyklei.
- Prieš atidarydami dureles įsitinkite, kad būgne neliko vandens. Neatidarykite skalbyklės durelių, jei matote, kad liko vandens.
- Pasibaigus programai palaukite bent 2 minutes ir tada atidarykite dureles.
- Dėl blukinimo medžiagų sudėtyje esančios sieros gali susidaryti korozija. Todėl skalbyklėje niekada nenaudokite blukinimo medžiagos. Niekada skalbyklėje nenaudokite medžiagų, kurių sudėtyje yra tirpiklių (pvz., benzino).
- Jei nenaudojate skalbyklės ilgesnį laiką, atjunkite maitinimą, užsukite vandens tiekimą ir palikite atviras dureles. Skalbyklės vidus liks sausas ir nebus kvapų.
- Gamybos proceso pabaigoje atliekamo testo metu skalbyklėje gali likti šiek tiek vandens, kuris nekelia skalbyklės sugadinimo rizikos.

## Paplūdimio pavojus

- Naudokite naujas komplekte esančias žarnas.
- Pakartotinai nenaudokite senų žarnų.
- Pasinaudoję visada atjunkite prietaiso maitinimą ir užsukite vandenį.
- Skalbyklės laido neišveskite į kriauklę, kibirus arba baseinus.

## Apvirstimo arba susižalojimo pavojus

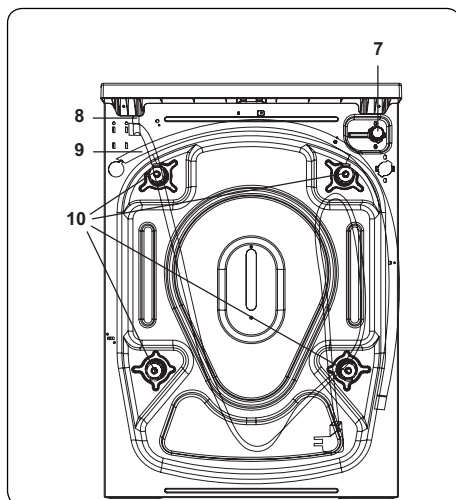
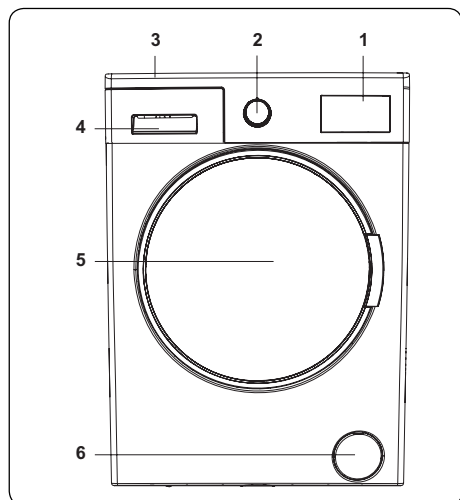
- Nestovėkite arba nesėdėkite ant skalbyklės. Viršutinė plokštė gali įtrūkti ir Jūs galite susižaloti.
- Nepersisverkite ant durelių. Neatidarinkite durelių jėga. Jei sunku uždaryti dureles, įsitinkite, ar ne per daug drabužių sudėjote į skalbyklės būgną ir, ar jie gerai pasiskirstę.
- Po įrengimo saugiai sutvarkykite žarnas ir maitinimo laidą. Užkliuvus ir apvirstus galima susižaloti.
- Neapverskite skalbyklės apatine puse į viršų arba ant šono.
- Nekelkite skalbyklės už atsikišusių dalių (skalbimo priemonės stalčiukas, durelės). Juos galite pažeisti ir susižaloti.
- Skalbyklės tvarkymas reikalauja dirbti mažiausia dviem žmonėms.

## Vaikų sauga

- Jei neprižiūri suaugęs asmuo, šalia prietaiso nepalikite mažų vaikų iki 3 metų. Šalimais skalbyklės nepalikite vaikų be priežiūros. Vaikai gali užsitrenkti dureles skalbyklės viduje, ko pasekmės gali būti mirtinos.
- Veikimo metu stiklo durelės ir skalbyklės paviršius gali būti labai įkaitę. Saugokite mažus vaikus ir gyvūnus nuo kontakto su šiais paviršiais.
- Visas pakavimo medžiagas laikykite vaikams nepasiekiamoje ir nematomoje vietoje. Uždusimo pavojus
- Nurijus skalbimo priemonę galima apsinuodyti, o akių arba odos kontaktas gali sukelti alerginę reakciją. Laikykite skalbimo priemonės toliau nuo vaikų.



## APRAŠYMAS



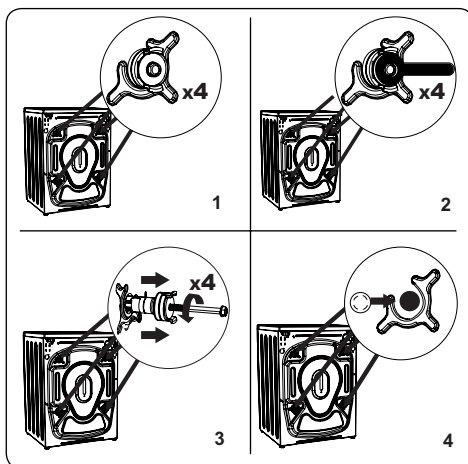
1. Elektroninis ekranas
2. Programų parinkiklis
3. Viršutinis dangtis
4. Skalavimo priemonės stalčiukas
5. Būgnas
6. Siurblio filtro dangtis
7. Pripildymo vožtuvas
8. Maitinimo laidas
9. Vandens išleidimo žarna
10. Transportavimo varžtais

## ĮRENGIMAS

### Transportavimo varžtų išsukimas

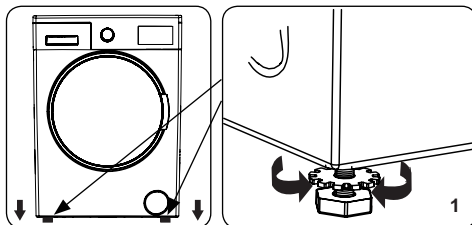
1. Prieš pradėdami naudotis skalbykle, išsukite 4 transportavimo varžtus ir nuimkite gumines poveržles nuo galinės skalbyklės dalies. Jei šie varžtai neišsukti, gali susidaryti didelė vibracija, triukšmas ir sutrikti skalbyklės darbas; tokiu atveju garantija negalioja.
2. Atlaisvinkite transportavimo varžtus reikiamu veržliarakčiu išsukdami juos prieš laikrodžio rodyklę.
3. Išimkite varžtus traukdami juos tiesiai.
4. Po to, kai išsuksite varžtus į tuščias jų angas įstatykite plastikinius kaiščius, kuriuos rasite priedų maišelyje. Transportavimo varžtus padėkite į jų laikymo vietą, jei prireiktų ateityje.

**Pastaba:** prieš naudodamiesi pirmąjį kartą išsukite skalbyklės transportavimo varžtus. Pažeidimai, atsiradę paleidus skalbyklę neištrauktais fiksuojamaisiais varžtais, į garantiją neįtraukiami.



### Lygio kojelės / reguliuojamųjų stabdiklių suregulavimas

1. Neįrenkite skalbyklės ant paviršiaus (pvz., kiliminės dangos), kur iš apačios negalėtų cirkuluoti oras.
  - Norėdami užtikrinti tylų veikimą, be vibracijos, įrenkite skalbyklę ant tolygaus paviršiaus.
  - Išlygiuoti skalbyklę galite reguliuojamąja kojele.
  - Atlaisvinkite plastikinę fiksuojamąją veržlę.
2. Jei norite pakelti skalbyklę aukščiau, pasukite kojelę pagal laikrodžio rodyklę. Jei norite nuleisti skalbyklę žemiau, pasukite kojelę prieš laikrodžio rodyklę.
  - Po to kai skalbyklė stovi reikiamame lygyje, sukdami pagal laikrodžio rodyklę priveržkite fiksuojamąsias veržles.
3. Niekada po skalbyklės dugnu nekiškite kartono, medienos arba kitokių panašių medžiagų.
  - Šluodami ir plaudami grindis, kur stovi skalbyklė, neišbalansuokite horizontalios skalbyklės padėties.



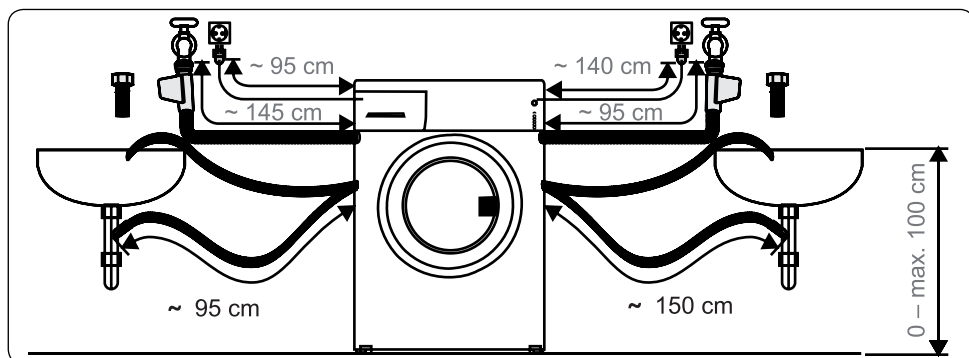
### Maitinimo prijungimas

- Skalbyklei reikalingas maitinimas - 220-240 V, 50 Hz.
- Jūsų skalbyklės maitinimo kabelis turi įžemintą kištuką. Šis kištukas visada turi būti jungiamas prie 10 A įžeminto lizdo.
- Jeigu neturite tinkamo lizdo ir įžeminimo saugiklio, pasitarkite su kvalifikuotu elektriku.
- Mes nesame atsakingi už žalą, atsirandančią netinkamai prietaisą jungiant prie neįžeminto išvado.

**Pastaba:** eksploatuojant skalbyklę esant per žemai įtampai trumpėja jos eksploatacijos laikas ir mažėja efektyvumas.

## Vandens tiekimo žarna

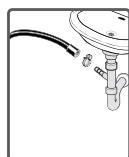
1. Priklausomai nuo skalbyklės techninių charakteristikų jūsų skalbyklę galima jungti prie šalto vandens arba prie šalto ir karšto vandens tiekimo. Žarna baltu gaubteliu turi būti jungiama prie šalto vandens išvado, o žarna raudonu gaubteliu - prie karšto vandens išvado (jei yra).
- Norėdami išvengti vandens nuotėkio į sujungimus, žarnos komplekte rasite 1 arba 2 veržles (priklausomai nuo jūsų skalbyklės modelio). Uždėkite šias veržles ant žarnos, kurią jungsite prie vandens tiekimo, galo.
2. Prijunkite naujas žarnas prie  $\frac{3}{4}$  col. Srieginio vandens čiaupo.
- Baltą tiekimo žarnos galąjunkite prie balto tiekimo vožtuvo, esančio galinėje skalbyklės dalyje, o raudoną - prie raudono tiekimo vožtuvo (jei naudojamas).
- Ranka priveržkite sujungimus. Jei abejojate, kreipkitės į kvalifikuotą santechniką.
- Vandens srautas, kurio slėgis 0,1 - 1 MPA leis jūsų skalbyklei veikti optimaliu veiksmingumu (0,1 MPA slėgis reiškia, kad per minutę pilnai atsukus čiaupą prateka daugiau nei 8 litrai vandens).
3. Po to, kai visi sujungimai atlikti, įjunkite vandens tiekimą ir atidžiai patikrinkite, ar niekas neprateka.
4. Įsitinkinkite, kad naujos vandens tiekimo žarnos nėra sužnybtos, susinarpliojusios, persisukusios, sulenktos arba perspaustos.
- Jei skalbyklę prijungta prie karšto vandens tiekimo, karšto vandens temperatūra turėtų būti ne didesnė nei 70° C.



**Pastaba:** skalbyklę būtina jungti prie vandens tiekimo tik naudojant naujas komplekte esančias žarnas. Senų žarnų pakartotinai naudoti negalima.

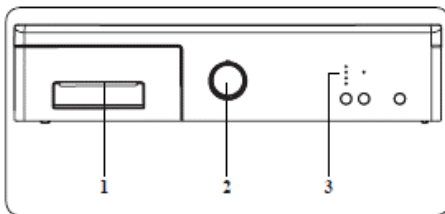
## Vandens išleidimo žarnos prijungimas

- Junkite vandens išleidimo žarną prie tiesaus arba lenkto kriauklės sifono, naudodamiesi papildoma įranga.
- Niekada nebandykite prailginti vandens išleidimo žarnos.
- Nenuleiskite vandens iš skalbyklės išleidimo žarnos į talpyklę, kibirą arba vonią.
- Įsitinkinkite, kad vandens išleidimo žarna nėra perlenkta, susinarpliojusi, perspausta arba prailginta.
- Vandens išleidimo žarna negali būti ilgesnė nei 100 cm nuo žemės.



## VALDYMO SKYDELIO APŽVALGA

1. Skalavimo priemonės stalčiukas
2. Programų parinkiklis
3. Elektroninis ekranas ir papildomos funkcijos



### Skalavimo priemonės stalčiukas

1. Skysto ploviklio skyrelis užtikrina tolygų ploviklio pasiskirstymą plaunant.
2. Ploviklio dozatorius
3. Audinio minkštiklio dozatorius
4. Skalavimo priemonės dozatorius išankstiniam skalbimui

### Skyreliai

#### Ploviklio dozatorius:

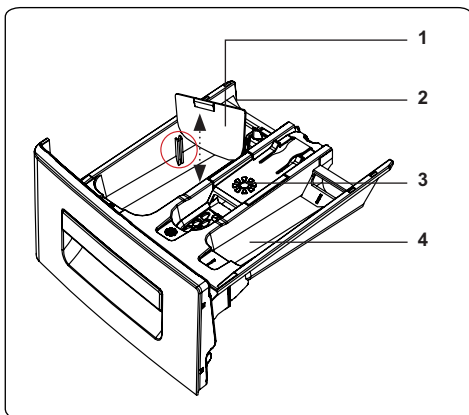
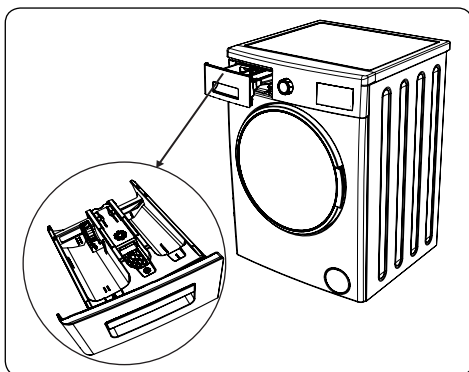
Į šį skyrelį pilamas skystas ploviklis arba beriami skalavimo milteliai arba kalkių šalinimo priemonės.

#### Minkštiklis, krakmolas, skalavimo priemonė:

Į šį skyrelį pilamos minkštinimo priemonės, audinių minkštikliai arba krakmolas. Vadovaukitės instrukcijomis ant pakuotės. Jei audinių minkštikliai po naudojimo palieka žymių skalbiniuose, bandykite juos išskalauti arba naudoti skysto pavidalo audinių minkštiklius.

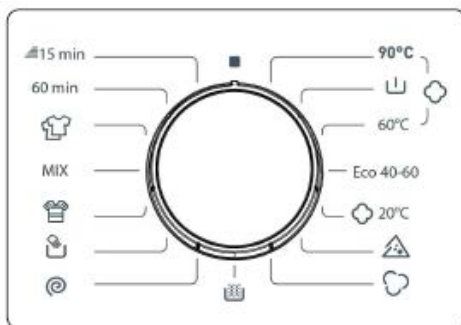
#### Skalavimo priemonės dozatorius išankstiniam skalbimui:

Šį dozatorių naudokite tik jei pasirinkote išankstinio skalavimo funkciją. Rekomenduojame naudoti išankstinio skalavimo funkciją, jei skalbiniai labai nešvarūs.



## Programų parinkiklis

- Norėdami pasirinkti pageidaujamą programą, pasukite programos parinkiklį pagal arba prieš laikrodžio rodyklę, iki kol programos parinkiklio žyma rodytų pasirinktą programą.
- Įsitikinkite, kad programos parinkiklis rodo tiksliai į tą programą, kurią pasirinkote.

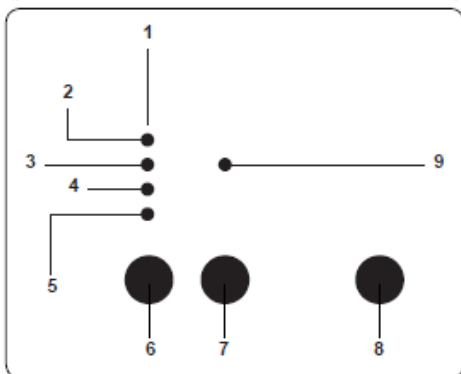


## Elektroninis ekranas

1. Skydas su ekranu
2. Veikimo indikatorius (skalbimo)
3. Skalavimo indikatorius
4. Išgręžimo indikatorius
5. Programos baigties indikatorius
6. Atidėtosios pradžios papildomos funkcijos mygtukas
7. Sparčiojo skalbimo papildomos funkcijos mygtukas
8. START/PAUZA (įjungimo / išjungimo) mygtukas
9. Papildomos funkcijos indikatorius - spartusis skalbimas

Šiame ekrane rodomas atidėtosios pradžios laikmatis (jei nustatytas), temperatūra, visos papildomos funkcijos, kurias pasirinkote, ir einamojo programos eigos fazė (išankstinis skalbimas / skalbimas - skalavimas - gręžimas).

Pasibaigus pasirinktai programai, ekrane rodomas įrašas END. Ekrane taip pat bus rodoma informacija, jei sutrikūtų skalbyklės veikimas.



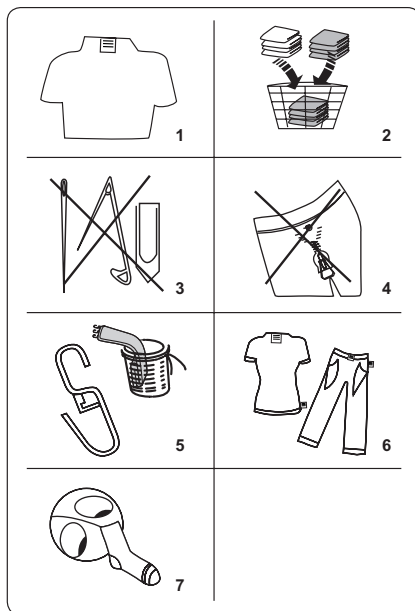
# SKALBYKLĖS NAUDOJIMAS

## Skalbinių paruošimas

1. Laikykitės instrukcijų ant konkretaus drabužio etiketės.
  - Išrūšiuokite skalbinius pagal tipą (medvilnė, sintetika, pažeidžiamas pluoštas, vilna ir pan.), skalbimo temperatūrą (šaltas vanduo, 30°C, 40°C, 60°C arba 90°C) ir nešvarumo laipsnį (šiek tiek suteptas, yra dėmių, labai suteptas).
2. Niekada neskalbkite spalvotų ir baltų skalbinių kartu.
  - Tamsesni audiniai gali būti dažyti, todėl juos reikia keletą kartų skalbti atskirai.
3. Įsitikinkite, kad skalbiniai neturi metalinių objektų arba jų nėra kišenėse; jei radote, išimkite.

**DĖMESIO:** į garantiją neįtraukiami gedimai, kurie įvyko dėl pašalinio objekto atsirado būgne.

4. Užtraukite užtrauktukus, visus kabliukus ir kilpeles.
5. Išimkite visus metalinius ir plastikinius kabliukus nuo užuolaidų arba sudėkite jas į skalbimo tinklėlį arba maišelį.
6. Tokius drabužius, kaip kelnės, marškinėliai ir megztiniai išverskite.
7. Kojines, nosinaites ir kitus smulkius daiktus skalbkite apsauginiame skalbimo tinklelyje.



## Drabužių priežiūros simboliai

 Normalus skalbimas	 Maksimali skalbimo temperatūra yra 90°C	 Maksimali skalbimo temperatūra yra 60°C
 Maksimali skalbimo temperatūra yra 30°C	 Rankinis skalbimas	 Skalbti draudžiama
 Galima balinti	 Nebalinti	 Maksimali lyginimo temperatūra 110°C
 Maksimali lyginimo temperatūra 150°C	 Maksimali lyginimo temperatūra 200°C	 Nelyginti
 Galimas sausas valymas	 Sausas valymas draudžiamas	 Lankstyti ant plokštumos
 Kabinti kol šlapias	 Kabinti džiovinimui	 Nedžiovinti džiovintuve
 Galima valyti benzinu, alkoholiu ir trifluorochloroetanu	 Galima valyti benzeno, perchloretilenu	 Galima valyti perchloretilenu, R11, R113 ir benzinu

## Skalbinių sudėjimas į skalbyklę

- Atverkite skalbyklės dureles.
- Paskirstykite skalbinius skalbyklėje paskirstykite tolygiai.

**PASTABA:** būkite atidūs ir neviršykite maksimalios būgno apkrovos, nes dėl to gali suprastėti skalbimo kokybė, o skalbiniai susiraukšlėti. Informacijos apie skalbyklės talpą ieškokite skalbimo programų lentelėje.

Šioje lentelėje rodomas apytikris įprastinių skalbinių tipų svoris:

SKALBINIŲ TIPAS	SVORIS (G)
Rankšluosčiai	200
Patalynė	500
Chalatas	1200
Antklodė	700
Pagalvės užvalkalas	200
Apatiniai drabužiai	100

- Kiekvienas skalbinių tipas atskirai.
- Įsitikinkite, kad tarp guminės tarpinės ir durelių nėra pašalinių objektų.
- Švelniai stumtelėkite dureles, kol pasigirs spragtelėjimas.
- Įsitikinkite, kad durelės gerai užsidarė, nes priešingu atveju programos paleisti nepavyks.

## Skalbimo priemonės supylimas į skalbyklę

Skalbyklėje naudojamos skalbimo priemonės kiekis priklauso nuo šių kriterijų:

- Jei skalbiniai tik šiek tiek sutepti, išankstinio skalbimo nenaudokite. Įpilkite šiek tiek skalbimo priemonės (pagal gamintojo instrukcijas) į II ploviklio stalčiuko skyrelį.
- Jei skalbiniai per daug sutepti, pasirinkite išankstinio skalbimo programą ir supilkite ¼ skalbimo priemonės į I ploviklio stalčiuko skyrelį, o likusią dalį - į II skyrelį.
- Naudokite automatinėms skalbimo mašinoms skirtas skalbimo priemones. Sekite gamintojo instrukcijas, kiek tai susiję su naudojamos skalbimo priemonės kiekiu.
- Ten, kur vanduo kietesnis reikės daugiau skalbimo priemonės.
- Kuo daugiau skalbinių, tuo daugiau reikės ir skalbimo priemonės.
- Minkštiklį supilkite į vidurinį ploviklio stalčiuko skyrelį. Neviršykite MAX atžymos.
- Tiršti minkštikliai gali užkimšti stalčiuką, todėl juos reikia atskiesti.
- Skystus ploviklius galite naudoti su visomis programomis, be išankstinio skalbimo. Tokiu atveju įstatykite skysto ploviklio lygio matuoklį į II ploviklio stalčiuko skyrelio angas. Kaip gairėmis, vadovaukitės matuoklio linijomis ir tokiu būdu pripildykite stalčiuką iki pageidaujamo lygio.

## Skalbyklės naudojimas

1. Prijunkite skalbyklę prie maitinimo lizdo.
  2. Įjunkite vandens tiekimą.
- Atverkite skalbyklės dureles.
  - Paskirstykite skalbinius skalbyklėje paskirstykite tolygiai.
  - Švelniai stumtelėkite dureles, kol pasigirs spragtelėjimas.

## Programų pasirinkimas

Norėdami pasirinkti labiausia tinkamą skalbimo programą, naudokite programų lentelę.

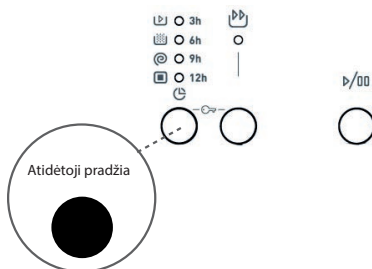
## Pusės apkrovos aptikimo sistema

Jūsų skalbyklė turi pusės būgno apkrovos aptikimo funkciją.

Jei į būgną pridėjote mažiau nei pusę maksimalios skalbinių apkrovos, skalbyklė automatiškai nustatys pusės apkrovos funkciją, nepaisant pasirinktos programos. Tai reiškia, kad programa baigsis anksčiau bei skalbyklė sunaudos mažiau vandens ir elektros energijos.

## Atidėtosios pradžios režimas

- Vieną kartą nuspauskite atidėtosios pradžios („Delay“) mygtuką.
- Rodomas 3 val. indikatorius.
- Kelis kartus nuspauskite mygtuką „Delayed Start“ (Atidėtoji pradžia), kol indikatoriuje pradės šviesti pageidaujama atidėtosios pradžios nuostata (3, 6, 9 arba 12 valandos).
- Jei atmetėte atidėtosios pradžios laiką, kurį norite nustatyti, dar kartą spauskite atidėtosios pradžios mygtuką, kol ekrane vėl bus rodomas pageidaujamas laikas.
- Norėdami suaktyvinti pasirinktą atidėjimo trukmę, nuspauskite bet kokios papildomos funkcijos mygtuką (išskyrus pradžios / pristabdymo mygtuką).
- Naudokite PRADŽIOS / PRISTABDYMO mygtuką, norėdami paleisti atidėtosios pradžios atgalinį laikmatį.





- Norėdami atmesti atidėtosios pradžios funkciją po to, kai ją nustatėte, vieną kartą spauskite „Delay Start“ mygtuką. Atidėtosios pradžios indikatorius užgesa.
- Norėdami pridėti / išimti skalbinius, kai aktyvi atidėtosios pradžios funkcija, spauskite pradžios / pristabdymo mygtuką. Po to, kai pridėjote / išėmėte skalbinius, dar kartą spauskite pradžios / pristabdymo mygtuką, kad suaktyvintumėte atidėtosios pradžios funkciją.

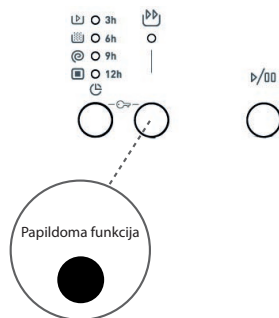
## Spartusis skalbimas papildoma funkcija

Naudodamiesi šia funkcija galite skalbti skalbinius trumpiau ir sunaudoti mažiau vandens bei elektros energijos.

Rekomenduojame naudotis šia parinktimi tik jei skalbiate mažiau nei pusę maksimalios būgno apkrovos pagal pasirinktą programą.

Šią funkciją pasirinkite nuspausdami „Quick Wash“ (Sparčiojo skalbimo) funkciją. Įsiziėbia sparčiojo skalbimo lemputė.

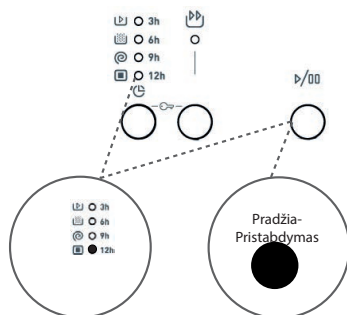
**PASTABA:** Jei į būgną pridėjote mažiau nei pusę maksimalios skalbinių apkrovos, skalbyklė automatiškai nustatys pusės apkrovos funkciją, nepaisant pasirinktos programos. Tai reiškia, kad programa baigsis anksčiau bei skalbyklė sunaudos mažiau vandens ir elektros energijos. Jei skalbyklė aptinka pusę būgno apkrovos, „Quick Wash“ (Sparčiojo skalbimo) simbolis bus automatiškai rodomas ekrane.



## Pradžios / pristabdymo mygtukas

Norėdami pasirinkti programą, spauskite pradžios / atidėjimo mygtuką.

Įsiziėbia veikimo (skalbimo) indikatoriaus lemputė.



## Užraktas nuo vaikų

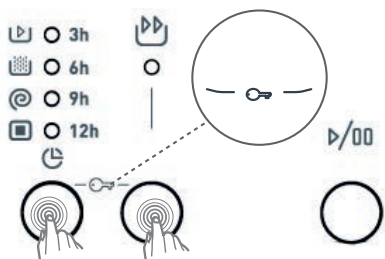
Užrakto nuo vaikų funkcija leidžia užblokuoti skalbyklės mygtukus, kad atsitiktinai nebūtų pakeistas skalbimo ciklas.

Norėdami suaktyvinti užraktą nuo vaikų, vienu metu spauskite ir palaikykite nuspauštus, bent 3 sekundes, papildomos funkcijos mygtukus, kaip nurodyta. Kai užraktas nuo vaikų aktyvus, skydelyje šviečia papildomos funkcijos indikatorius.

Jei spaudžiate bet kokį mygtuką arba parinkikliu keičiate pasirinktą programą, kai užraktas nuo vaikų yra aktyvus, ekrane mirksi papildomos funkcijos indikatorius.

Jei skalbyklė jau skalbia, o užraktas nuo vaikų yra aktyvus, o jūs bandote pakeisti programą sukdami programos parinkiklį į padėtį 0, o po to į reikiamą programą, skalbyklė tęs skalbimą, nereaguodama į pakeitimus.

Norėdami išjungti užraktą nuo vaikų, vienu metu spauskite ir bent 3 sekundes palaikykite nuspauštus papildomos funkcijos mygtukus.



## Programos atšaukimas

### Pasirinktą programą galima atšaukti bet koku momentu:







1. Perjunkite programos perjungiklį į padėtį 0.
  2. Skalbyklė stabdo skalbimo ciklą, ir programa atšaukiama.
  3. Išleiskite vandenį iš skalbyklės, pasukdami PROGRAM parinkiklį į bet kokią kitą programą.
  4. Skalbyklė išleis vandenį ir atmes programą.
- Dabar galite rinktis ir pradėti naują programą.

## Programos pabaiga

Pasibaigus programai jūsų skalbyklė sustos pati.

- Pasibaigus programai skydelyje šviečia programos pabaigos lemputė.
- Galite atidaryti skalbyklės dureles ir išimti lauk skalbinius.
- Palikite skalbyklės dureles atviras, kad išdžiūtų skalbyklės vidus.
- Perjunkite programos perjungiklį į padėtį 0.
- Atjunkite skalbyklę nuo maitinimo lizdo.
- Išjunkite vandens tiekimą.

## PROGRAMŲ LENTELĖ

Programa	Temperatūra (°C)	Maksimali sausų skalbinių talpa (kg)	Skyrelis	Trukmė (minutėmis)	Skalbinių tipas / aprašymas
MEDVILNĖ 90°	90	5,0	2	176	Labai nešvarus medvilninis ir lino audinys. (Apatiniai drabužiai, lovatiesės, staltiesės, rankšluosčiai (maks. 2,5 kg), patalynė ir pan.)
Išankstinis skalbimas - Medvilnė	60	5,0	1+2	156	Nešvarus medvilninis ir lino audinys. (Apatiniai drabužiai, lovatiesės, staltiesės, rankšluosčiai (maks. 2,5 kg), patalynė ir pan.)
MEDVILNĖ 60°	60	5,0	2	190	Nešvarus medvilninis ir lino audinys. (Apatiniai drabužiai, lovatiesės, staltiesės, rankšluosčiai (maks. 2,5 kg), patalynė ir pan.)
ECO 40-60	40	5,0	2	180	Nešvarus medvilninis ir lino audinys. (Apatiniai drabužiai, lovatiesės, staltiesės, rankšluosčiai (maks. 2,5 kg), patalynė ir pan.)
MEDVILNĖ 20 °C	20	2,5	2	96	Mažiau nešvarus medvilninis ir lino audinys. (Apatiniai drabužiai, lovatiesės, staltiesės, rankšluosčiai (maks. 2 kg), patalynė ir pan.)
Sintetika 	40	3,0	2	110	Labai nešvarūs sintetiniai audiniai. (Nailoninės kojines, marškinėliai, palaidinės, sintetinis pluštas ir pan.)
VILNA 	30	2,0	2	39	Tinka vilnioniams audiniams, kurie pažymėti, kaip tinkami skalbti skalbyklėje.
SKALAVIMAS 	--	5,0	--	36	Papildomas bet kokio tipo skalbinių skalavimas po skalbimo.
GRĘŽIMAS 	--	5,0	--	15	Papildomas bet kokio tipo skalbinių gręžimas po skalbimo.
(ŠVELNUS / RANKINIS) 	30	2,0	2	90	Skalbiniai, kuriems rekomenduojamas rankinis arba švelnus skalbimas.
SPALVOTIEMS AUDINIAMS 40 °C 	40	3,0	2	180	Mažiau nešvarus medvilninis ir lino audinys. (Apatiniai drabužiai, lovatiesės, staltiesės, rankšluosčiai (maks. 2 kg), patalynė ir pan.)
MIŠRUS	30	3,0	2	81	Kartu galima skalbti nešvarią medvilnę, sintetika, spalvotus ir lininius audinius.
PAL AidINĖS / SJONAI 	60	3,0	2	107	Kartu galima skalbti nešvarią medvilnę, sintetika ir sintetinį puošta, marškinėlius, palaidines.
SPARTUSIS 60 min.	60	2,0	2	60	Nešvarus medvilniniai, spalvoti ir lininiai audiniai plaunami 60°C temperatūroje 60 minučių eigoje.

Programa	Temperatūra (°C)	Maksimali sausų skalbinių talpa (kg)	Skyrelis	Trukmė (minutėmis)	Skalbinių tipas / aprašymas
SPARTUSIS 15 min.	30	2,0	2	15	Šiek tiek sutepti medvilniniai, lininiai ir dažantys audiniai.

\* Dėl trumpos šios programos eigos, rekomenduojame naudoti mažiau skalbimo priemonės. Jei skalbyklė aptinka, kad skalbiniai paskirstyti netolygiai, programa gali trukti 15 minučių ilgiau. Pasibaigus skalbimo ciklui, galite 2 minutėms atverti skalbyklės dureles. (Ši dviejų minučių pauzė į programos trukmę neįtraukiama).

**PASTABA:** PROGRAMOS TRUKMĖ GALI KEISTIS PRIKLAUSOMAI NUO SKALBINIŲ KIEKIO, VANDENS TIPO, APLINKOS TEMPERATŪROS IR PASIRINKTŲ PAPILDOMŲ FUNKCIJŲ.

- Jei į skalbyklės būgną sudedate 2 kg arba mažiau skalbinių, skalbyklė automatiškai pradės 30 minučių trukmės ciklą.
- Dėl trumpos šios programos eigos, rekomenduojame naudoti mažiau skalbimo priemonės. Jei skalbyklė aptinka, kad skalbiniai paskirstyti netolygiai, programa gali trukti 15 minučių ilgiau. Pasibaigus skalbimo ciklui, galite 2 minutėms atverti skalbyklės dureles. (Ši dviejų minučių pauzė į programos trukmę neįtraukiama).
- Pagal Reglamentus 1015/2010 ir 1061/2010 programa Nr. 3 su temperatūros parinktimi yra „Standartinė programa, kuri tinka medvilnei esant 60°C“ ir „Standartinė programa, kuri tinka medvilnei esant 40°C“.
- Eco 40-60 programa vieno ciklo metu gali kartu išplauti įprastai nešvarius medvilnės audinius esant rekomenduojamai 40°C arba 60°C skalbimo temperatūrai bei yra naudojama ES ekologinio ženklo teisės aktų atitikties įvertinimui.
- Labiausia energiją taupančios programos paprastai yra tos, kurios skalbia ilgiau žemesnėje temperatūroje.
- Buitinę skalbyklę užpildykite pagal jos talpą, kaip nurodo gamintojas susijusiai programai, ir tokiu būdu sutaupysite elektros energijos ir vandens.
- Programos trukmė, energijos ir vandens suvartojimas gali skirtis priklausomai nuo apkrovos masės ir tipo, pasirinktų papildomų funkcijų, vandens tipo ir aplinkos temperatūros.
- Žemesnių temperatūrų skalbimo programoms rekomenduojame naudoti skystus ploviklius. Ploviklio kiekis priklauso nuo skalbinių nešvarumo lygio ir jų kiekio. Sekite ploviklio gamintojo instrukcijas, kiek tai susiję su jo naudojamo kiekiu.
- Centrifugos greitis skleidžia triukšmą ir nuo jo priklauso likutinės skalbinių drėgmės turinys. Kuo didesnis centrifugos apšukos greičiant, tuo didesnis triukšmas ir tuo mažesnis likutinės skalbinių drėgmės turinys.
- Nuskaitę QR kodą ant energetinės vertės etiketės, gaminio duomenų bazėje galite rasti informacijos apie skalbyklės modelį.

## Svarbi informacija

- Naudokite tik automatinės skalbyklės tinkamus ploviklius, audinio minkštiklius ir priedus. Jei ploviklio per daug susidarys perteklinė putų ir suveiks automatinė putų absoravimo sistema.
- Rekomenduojame reguliariai valyti skalbyklę, kas du mėnesius. Reguliariam valymui naudokite būgno valymo programą. Jei jūsų skalbyklė neturi būgno valymo programos, naudokite „Cotton 90“ programą. Jei būtina, naudokite tik tinkamas kalkių šalinimo priemones, kurios skirtos automatinėms skalbyklėms.
- Niekada neatidarykite durelių veikiant skalbyklei. Pasibaigus skalbimo ciklui, galite 2 minutėms atverti skalbyklės dureles.
- Siekiant išvengti galimos rizikos, įrengimo ir remonto darbus visada privalo atlikti įgaliotasis techninės priežiūros atstovas. Gamintojas neatsako už bet kokią žalą, atsirandančią nesankcionuotiems asmenims atliekant remonto darbus.

## VALYMAS IR TECHNINĖ PRIEŽIŪRA

### Įspėjimas

**Prieš imdamiesi techninės priežiūros ir valymo darbų išjunkite prietaisą ir atjunkite maitinimo laidą. Prieš pradėdami skalbyklės techninę priežiūrą ir valymą išjunkite vandens tiekimą.**

Skalbyklės valymui nenaudokite tirpiklių, abrazyvinių valiklių, stiklo valiklių arba universalios paskirties valiklių. Jų sudėtyje esančios cheminės medžiagos gali pažeisti plastikinius prietaiso paviršius ir kitus komponentus.

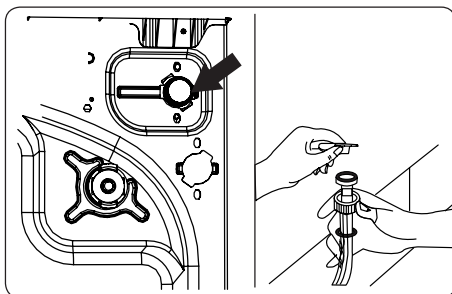
## Filtrai vandens tiekimui

Filtrai vandens tiekimui saugo nuo nešvarumų ir pašalinių medžiagų patekimo į skalbyklės vidų.

Rekomenduojame valyti šiuos filtrus netrukus po to, kai nebepakanka vandens srauto į skalbyklės būgną, nors ir įjungtas vandens tiekimas, o čiaupas atsuktas.

Rekomenduojame valyti šiuos filtrus kas 2 mėnesius.

- Nusukite vandens tiekimo žarną (-as) nuo skalbyklės.
- Norėdami nuo pripildymo vožtuvo nuimti vandens tiekimo filtrą, naudokite ilgą plokščiareplę ir atsargiai nuimkite plastikinį strypą nuo filtro.
- Antrasis vandens tiekimo filtras yra vandens žarnos, kuri užmauta ant čiaupo, gale. Norėdami nuimti antrąjį vandens tiekimo filtrą, naudokite ilgą plokščiareplę ir atsargiai nuimkite plastikinį strypą nuo filtro.
- Kruopščiai išvalykite filtrą minkštu šepetėliu, išplaukite muiluotu vandeniu ir kruopščiai išskalaukite. Švelniai įstumkite filtrą atgal į jo vietą.



**DĖMESIO:** filtrai ant vandens tiekimo vožtuvo gali užsikimšti dėl prastos vandens kokybės arba nepakankamos techninės priežiūros bei gali būti pažeisti. Dėl šios priežasties gali pratekėti vanduo. Toks gedimas į garantines nuostatas neįtraukiamas.

## Siurblio filtras

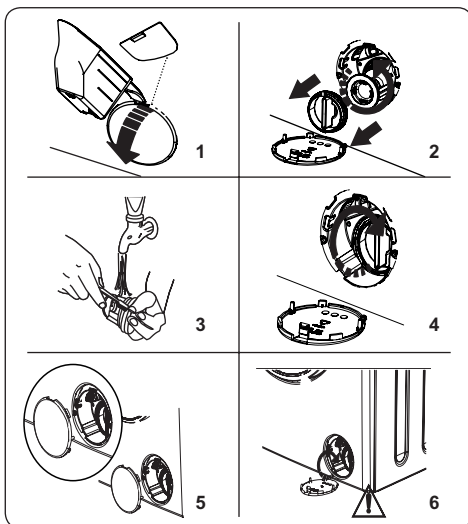
Siurblio filtravimo sistema jūsų skalbyklėje prailgina siurblio eksploatacijos trukmę, nes saugo nuo nešvarumų patekimo į skalbyklės vidų. Rekomenduojame valyti siurblio filtrą kas du mėnesiai. Siurblio filtras įrengtas po dangteliu, esančiu apatiniame dešiniajame priekinės dalies kampe.

Siurblio filtro valymas:

1. Nuimkite dangtelį. Galite naudoti skysto ploviklio skyrelį, žr. iliustraciją.
2. Įstatykite ploviklio matavimo piltuvėlio arba skysto ploviklio lygio matuoklio galą į dangtelyje esančią angą ir švelniai įstumkite atgal. Dangtelis užsidarys.
3. Prieš atidarydami po filtro dangteliu pastatykite indą, į kurį išteks skalbyklėje užsilikęs vanduo.
4. Atlaisvinkite filtrą sukdami jį prieš laikrodžio rodyklę ir ištraukite. Palaukite kol nubėgs vanduo.

**PASTABA:** priklausomai nuo vandens kiekio skalbyklėje, Jums gali prireikti ištuštinti vandens surinkimo indą keletą kartų.

5. Minkštu šepetėliu iš filtro pašalinkite visas pašalines medžiagas.
6. Baigę valyti įstatykite filtrą atgal į vietą ir užfiksuodami pasukite pagal laikrodžio rodyklę.
7. Uždarydami filtro dangtelį įsitinkinkite, kad laikikliai filtro viduje yra sulig angomis priekinio skydo šone.
8. Uždarykite filtro dangtelį.



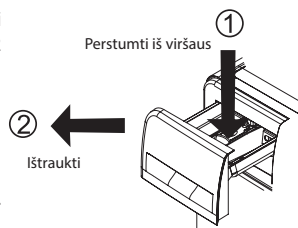
**ĮSPĖJIMAS:** vanduo siurblyje gali būti karštas, prieš valydami arba atlikdami techninę priežiūrą palaukite kol jis atvės.

## Skalbimo priemonės stalčiukas

Palaipsniui skalbimo priemonės stalčiuke nuolat eksploatuojant gali pradėti kauptis ploviklio likučiai. Rekomenduojame išimti stalčiuką kas 2 mėnesiai, jį išvalyti nuo susikaupusių ploviklio likučių.

Skalbimo priemonės stalčiuko išėmimas:

- Iki galo patraukite stalčiuką į save.
- Atsargiai ištraukite stalčiuką (žr. iliustraciją) ir jį išimkite.
- Išvalykite stalčiuką vandeniu ir švelniu šepetėliu.
- Jei stalčiuke liko nešvarumų, pašalinkite juos švelniu šepetėliu. Įsitikinkite, kad nešvarumų likučių nepateko į skalbyklės vidų.
- Kruopščiai išdžiovinkite stalčiuką ir įstumkite jį atgal į vietą.
- **Skalbimo priemonės stalčiuko neplaukite indaplovėje.**



## Išleidimo angos kamštis / korpusas / būgnas

### 1. Praplovimo kamštis

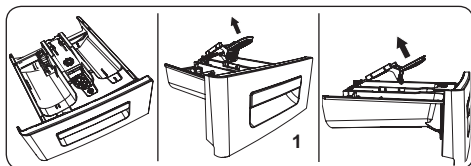
Išimkite ploviklio stalčiuką ir ištraukite praplovimo kamštį. Kruopščiai pašalinkite visus minkštiklio likučius. Po valymo įstatykite praplovimo kamštį atgal į vietą ir patikrinkite, ar jis gerai laikosi.

### 2. Korpusas

Švelniu neabrazyviniu valikliu arba muilu su vandeniu nuvalykite išorės apdailą. Nusausinkite minkštą skepetą.

### 3. Būgnas

Skalbyklėje nepalikite metalinių objektų, tokių kaip adatos, popieriaus sąvaržėlės arba monetos ir t.t. Šie objektai pradės rūdyti, o dėl rūdys ir būgnas. Naudokite valiklį be chloro ir vadovaukitės gamintojo instrukcijomis, kaip pašalinti rūdį. Niekada nenaudokite šveičiamųjų kempinėlių arba panašių kietų objektų rūdžių dėmėms šalinti.



## TRIKČIŲ DIAGNOSTIKA IR ŠALINIMAS

Skalbyklę remontuoti gali tik įgaliotoji techninės priežiūros bendrovė. Jei skalbyklę reikia remontuoti arba jei negalite problemos išspręsti patys, vadovaudamiesi toliau nurodytomis instrukcijomis, jūs turėtumėte:

- Atjunkite skalbyklę nuo maitinimo lizdo.
- Išjunkite vandens tiekimą.

KLAIDA	GALIMA PRIEŽASTIS	GEDIMŲ ŠALINIMAS
Nepavyksta įjungti skalbyklės.	Skalbyklė neprijungta prie elektros tinklo.	Prijunkite skalbyklę prie maitinimo lizdo.
	Brokuoti saugikliai.	Pakeiskite saugiklius.
	Nėra elektros.	Patikrinkite maitinimą.
	Nenuspaustas „Start / Pause“ (pradžia / pristabdymas) mygtukas	Spauskite „Start / Pause“ (pradžia / pristabdymas)
	Programos parinkiklis yra padėtyje „Stop“.	Perjunkite programos parinkiklį į reikiamą padėtį.
	Neužsidaro skalbyklės durelės.	Uždarykite skalbyklės dureles.

KLAIDA	GALIMA PRIEŽASTIS	GEDIMŲ ŠALINIMAS
Nepavyksta išleisti vandens iš skalbyklės.	Užsuktas vandens čiaupas.	Atsukite čiaupą.
	Vandens tiekimo žarna yra susinarpiojusi.	Patikrinkite žarną ir ją išnarpliokite.
	Užsikimšo vandens tiekimo žarna.	Išvalykite įleisties žarnos filtrus. (*)
	Užsikimšęs įleisties filtras.	Išvalykite vandens tiekimo filtrus. (*)
	Neužsidaro skalbyklės durelės.	Uždarykite skalbyklės dureles.
Nepavyksta išleisti vandens iš skalbyklės.	Vandens išleidimo žarna užsikimšusi arba susisukusi.	Patikrinkite drenažo žarną, ją išvalykite arba išnarpliokite.
	Užsikimšo siurblio filtras.	Išvalykite siurblio filtrą. (*)
	Skalbiniai per daug suspausti būgne.	Paskirstykite skalbinius skalbyklėje paskirstykite tolygiai.
Skalbyklė vibruoja.	Nesureguliuota kojėlė.	Sureguliuokite kojėlę. (**)
	Nebuvo išsukti transportavimo varžtai.	Išsukite transportavimo varžtus iš skalbyklės. (**)
	Maža būgno apkrova.	Dėl to skalbyklės veikimas sutrikti neturėtų.
	Skalbyklė perkrauta skalbiniais arba skalbiniai netolygiai paskirstyti.	Neperkraukite būgno. Tolygiai paskirstykite skalbinius būgne.
	Skalbyklė stovi ant kieto paviršiaus.	Nestatykite skalbyklės ant kieto paviršiaus.
Putų perteklius skalbimo priemonės stalčiuke.	Naudojate per daug skalbimo priemonės.	Spauskite „Start / Pause“ (pradžią / pristabdymas) mygtuką. Kad sustabdytumėte putojimą, vieną šaukštelį audinio minkštiklio atskieskite 1/2 vandens ir supilkite į skalbimo priemonės stalčiuką. Po 5-10 minučių nuspauskite „Start/Pause“ (pradžią / pristabdymas) mygtuką.
	Panaudojote netinkamą skalbimo priemonę.	Naudokite tik automatinėms skalbimo mašinoms skirtas skalbimo priemones.


KLAIDA	GALIMA PRIEŽASTIS	GEDIMŲ ŠALINIMAS
Netenkina skalbimo rezultatai.	Pagal pasirinktą programą Jūsų skalbiniai per daug nešvarūs.	Skaitykite informaciją programų lentelėje ir pasirinkite tinkamiausią programą.
	Naudojote per mažai skalbimo priemonės.	Naudokite reikiamą kiekį skalbimo priemonės pagal instrukcijas ant pakuotės.
	Skalbyklėje per didelis skalbinių kiekis.	Patikrinkite, ar neviršijote maksimalios talpos pagal pasirinktą programą.
	Kietas vanduo.	Naudokite daugiau skalbimo priemonės pagal gamintojo instrukcijas.
	Skalbiniai per daug suspausti būgne.	Įsitikinkite, kad būgne skalbiniai paskirstyti tolygiai.
Netrukus po to, kai skalbyklė pripildė vandens, vanduo išleidžiamas.	Per žemai pagal skalbyklę nuleistas vandens išleidimo žarnos galas.	Patikrinkite vandens išleidimo žarnos reikiamą aukštį. (**).
Skalbimo metu būgne nėra vandens.	Tai ne sutrikimas. Vanduo yra toje būgno dalyje, kurios nesimato.	-
Skalbimo priemonės likučiai prikimba prie skalbinių.	Netirpios tam tikrų skalbimo priemonių dalelės gali atrodyti kaip baltos dėmės ant jūsų skalbinių.	Išdžiuvus skalbiniams dar kartą išskalaukite juos arba pervalykite šepetėliu.
Ant skalbinių matomos pilkos dėmės.	Jūsų skalbiniai buvo sutepti aliejumi, kremu arba tepalais.	Kitą kartą plaudami naudokite reikiamą kiekį skalbimo priemonės pagal instrukcijas ant pakuotės.
Nėra gręžimo ciklo arba jis prasideda vėliau nei reikėtų.	Tai ne sutrikimas. Buvo suaktyvinta nesubalansuotos apkrovos sistema.	Nesubalansuotos apkrovos kontrolės sistema bandys tolygiai paskirstyti skalbinius būgne. Centrifuga suveiks po to, kai skalbiniai bus paskirstyti. Kitą kartą skalbdami skalbinius būgne paskirstykite tolygiai.




(\*) Žr. skalbyklės techninės priežiūros ir valymo skirsinį.

(\*) Žr. skalbyklės įrengimo skirsinį.

## Klaidų kodai ir jų sprendimas

Skalbyklė turi integruotą sutrikimo aptikimo sistemą. Apie sutrikimą informuoja šviečiančių darbinių lempučių kombinacija. Toliau pateikiami dažniausia pasitaikantys klaidos kodai.

KLAIDOS KODAS	PRIEŽASTIS	SPRENDIMAS
E01 	Neteisingai uždarytos skalbyklės durelės.	Uždarykite dureles tinkamai, kol išgirsite spragtelėjimą. Jei jūsų skalbyklė vis dar neatsistato po sutrikimo, išjunkite skalbyklę, atjunkite jos maitinimą ir nedelsiant kreipkitės į artimiausią įgaliotąjį techninės priežiūros centrą.

KLAIDOS KODAS	PRIEŽASTIS	SPRENDIMAS
E02 	Nepakankamas vandens slėgis arba vandens slėgio lygis skalbyklėje.	Patikrinkite, ar iki galo atsuktas čiaupas. Gali būti, kad atsijungė vandens tiekimas. Jei problema išlieka, po kurio laiko skalbyklė sustos automatiškai. Atjunkite skalbyklę nuo elektros lizdo, užsukite vandens čiaupą ir kreipkitės į artimiausią įgaliotąjį techninės priežiūros centrą.
E03 	Siurblio triktis, užsikimšęs siurblio filtras arba siurblio elektros grandinės triktis.	Išvalykite siurblio filtrą. Jei problema išlieka, susisiekite su artimiausiu įgaliotuoju techninės priežiūros centru. (*)
E04 	Skalbyklėje per didelis vandens kiekis.	Skalbyklė savaime išleidžia vandenį. Po to, kai vanduo išleidžiamas, išjunkite skalbyklę ir atjunkite jos maitinimą. Užsukite vandens čiaupą ir kreipkitės į artimiausią įgaliotąjį priežiūros centrą.

(\*) Žr. skalbyklės techninės priežiūros ir valymo skirsnį.

## TECHNINĖS SPECIFIKACIJOS

	<b>EFW 1053 MD</b>
Įleidžiamasis prietaisas	Ne
Maksimali apkrovos talpa (sausų skalbinių) kg	5
Matmenys (I x P x A) [mm]	845 × 597 × 497
Vardinė įtampa	220 - 240 V ~ 50 Hz
Maitinimo įvestis	2100 W
Dangčio skląstis	10A
Vandens slėgis (MPa) MIN/MAX	0,1, MPA/ 1, MPA



## NAUDOJIMAS IR ATLIEKŲ UTILIZAVIMAS

Vyniojamasis popierius ir gofruoto kartono dėžė – išmesti į atliekas. Pakavimo folija, PE maišeliai, plastikiniai elementai – išmesti į plastiko perdirbimo konteinerius.

## GAMINIŲ UTILIZAVIMAS PASIBAIGUS JŲ EKSPLOATACIJOS LAIKUI

**Elektros ir elektronikos dalių utilizavimas (taikoma ES valstybėse narėse ir kitose Europos šalyse, kur galioja atliekų perdirbimo sistema)**

Ant gaminio ar jo pakuotės atvaizduotas simbolis reiškia, kad gaminio negalima utilizuoti kartu su buitinėmis atliekomis. Nugabenkite gaminį į atitinkamą elektros ar elektronikos gaminių perdirbimo vietą. Utilizuodami gaminį imkitės saugos priemonių dėl neigiamo poveikio žmogaus sveikatai ir aplinkai. Perdirbimas prisideda prie gamtinių išteklių išsaugojimo. Daugiau informacijos apie šio gaminio perdirbimą, teiraukitės vietinės valdžios institucijose, buitinių atliekų perdirbimo organizacijose arba parduotuvėje, kur įsigijote šį gaminį.



08/05



Šis produktas atitinka ES direktyvas dėl elektromagnetinio suderinamumo ir elektros saugos. Šis gaminys atitinka sunkiųjų metalų panaudojimo elektros įrangoje reikalavimus.

Techninės informacijos vadovą rasite internete [www.ecg-electro.eu](http://www.ecg-electro.eu).

Tekstas ir techniniai parametrai keičiami be išankstinio perspėjimo.

## BIZTONSÁGI ELŐÍRÁSOK

**Olvassa el figyelmesen és a későbbi felhasználásokhoz is őrizze meg!**

**Figyelmeztetés!** A jelen útmutatóban feltüntetett biztonsági előírások és utasítások nem tartalmazzak minden olyan feltételt és körülményt, amely a használat során bekövetkezhet. A felhasználónak meg kell értenie, hogy egyetlen termékbe sem lehet beépíteni a felhasználótól elvárható elővigyázatosságot és gondosságot. Ezekről a készüléket használó és kezelő felhasználóknak kell gondoskodniuk. Nem vállalunk felelősséget a készülék helytelen használatából, a hálózati feszültség-ingadozásokból, vagy a készülék bármilyen jellegű átalakításából és módosításából eredő károkért.

Tartsa be a jelen útmutatóban leírt utasításokat. A készülék használatba vétele előtt figyelmesen olvassa el a használati útmutatót, és azt őrizze meg későbbi felhasználásokhoz is.

A tüzek, áramütések és egyéb sérülések megelőzése érdekében, az elektromos készülékek használata során tartsa be az általános és az alábbiakban feltüntetett biztonsági utasításokat:

1. Győződjön meg arról, hogy a hálózati feszültség értéke megegyezik-e a készülék típuscímkéjén feltüntetett tápfeszültség értékével. A biztonságos használat érdekében a csatlakozódugót csak szabályszerűen leföldelt szabványos aljzathoz csatlakoztassa. A hálózati ág kivitele és védelme feleljen meg a felhasználás országában érvényes érintésvédelmi előírásoknak és szabványoknak.
2. Ha a készülék hálózati vezetéke sérült, akkor a készüléket használni tilos. A készülék első bekötését, az elektromos hálózathoz és a vízvezeték hálózathoz való csatlakoztatását a márkaszerviznél vagy más szakszerviznél rendelje meg. A hálózati vezetéket csak márkaszerviz cserélheti ki! A készülék védőburkolatát ne szerelje le, a feszültség alatt lévő alkatrészek áramütést okozhatnak!
3. A hálózati csatlakozódugót és a hálózati vezetéket nedves kézzel ne fogja meg. Ezzel csökkentheti az áramütés kockázatát.
4. A készüléket nedves kézzel és lábbal ne érintse meg.

5. A hálózati csatlakozódugó legyen jól elérhető és hozzáférhető. A készüléket ne üzemeltesse hosszabbító vezetékről vagy elosztóról. A hálózati vezeték nem érhet hozzá forró felületekhez, továbbá azt éles tárgyakra se helyezze rá.
6. A készüléket a hálózati vezeték bedugásával vagy kihúzásával ne kapcsolja be vagy ki. A csatlakozódugót a vezetéknél fogva ne húzza ki a fali aljzatból. A művelethez fogja meg a csatlakozódugót. A használat befejezése után a forgató gombot állítsa OFF állásba, a hálózati csatlakozódugót húzza ki a fali aljzatból, a vízszelepet zárja el.
7. A mosógépet ne állítsa fel szőnyegre és hasonló anyagokra, a készülék alján található szellőzőnyílások ilyen anyagokon nem tudják ellátni a funkciójukat.
8. A készülék nyílásaiba ne dugjon be semmit, a készülékre ne helyezzen rá tárgyakat (pl. vázát, csészét stb.).
9. A leeresztő tömlő végét ne tegye mosdóba, mosogatóba vagy vödörbe.
10. Ne engedje, hogy a készülékkel gyerekek játszanak. Ne engedje, hogy a készüléket gyerekek vagy házi állatok megközelítsék. **A 3 év alatti gyerekeket tartsa távol a készüléktől, felügyelet nélkül gyerekek nem tartózkodhatnak a készülék közelében.**
11. A használati útmutatót tartalmazó zacskóban apró alkatrészek is találhatóak, ezeket gyerekektől elzárva tárolja.
12. A készüléket közvetlen napsütés hatásának ne tegye ki, ne használja a szabadban és ne tegye ki az időjárás hatásainak.
13. A készülék közelében ne tároljon gyúlékony anyagokat.
14. A mosógépben ne mosson olyan ruhákat, amelyeken gyúlékony vagy robbanékony anyagok vannak, vagy amelyeket gyúlékony és robbanékony anyagokban kimosott vagy beáztatott (példák az ilyen anyagokra: benzin, olaj, festék, zsírtalanító és oldó anyagok, hígítók, petróleum stb.). A készülékben gyúlékony, robbanékony vagy toxikus anyagokat használni tilos. Mosószerként benzint vagy alkoholt használni szigorúan tilos. Ezek az anyagok tüzet vagy robbanást okozhatnak! **A készülékben szőnyeget mosni tilos.**

15. A bekapcsolt mosógépet nedves és vizes kézzel ne fogja meg. A mosógép működése közben a mosószer fiókot ne húzza ki, a mosógép ajtaját pedig ne próbálja meg kinyitni.
16. A vízleeresztés közben a leeresztő tömlőt ne fogja meg, a kezét ne dugja a kifolyó vízszugárba. A mosógépből kifolyó víz forró lehet.
17. Bármilyen meghibásodás esetén előbb a csatlakozódugót húzza ki a fali aljzatból, majd zárja el a vízszelepet. A készüléket ne próbálja megjavítani saját erőből! Forduljon a márkaszervizhez.
18. Az első használatba vétel előtt, a szállítás közben a **dobot rögzítő CSAVAROKAT** szerelje ki. Ha a készülék meghibásodását a dobrögzítő csavarok ki nem szerelése okozta, akkor erre a garancia nem vonatkozik.
19. A készülék kizárólag csak háztartásokban, textil anyagok mosására használható. Kereskedelmi, vagy rendeltetéstől eltérő használat esetén a készülékre adott garancia érvényét veszti.
20. A mosógépet csak beltérben szabad használni.
21. A mosógépet ne telepítse nedves és vizes helyiségekbe, illetve gyúlékony és robbanékony, vagy maró anyagok közelébe.
22. A készüléket 8 évnél idősebb gyerekek, idős, testi és szellemi fogyatékos személyek, illetve a készülék használatát nem ismerő és hasonló készülék üzemeltetéseknek a tapasztalataival nem rendelkező személyek csak a készülék használati utasítását ismerő és a készülék használatáért felelősséget vállaló személy felügyelete mellett használhatják. A készüléket 8 év feletti gyerekek csak felnőtt személy felügyelete mellett tisztíthatják. A készüléket és a hálózati vezetékét úgy kell elhelyezni, hogy ahhoz 8 év alatti gyerekek ne férhessenek hozzá.
23. Idegen személyek a készüléket nem javíthatják, az ilyen beavatkozások a garancia megszűnését jelentik. A készülék javítását márkaszervizben rendelje meg.
24. A garancia nem vonatkozik külső hatások (árvíz, vegyi anyagok, tűz stb.) miatt bekövetkezett hibákra és sérülésekre.
25. A gyártó nem vállal felelősséget a készülék rendeltetésétől eltérő használat, vagy nem földelt aljzathoz való csatlakoztatás miatt

# bekövetkező károkért és sérülésekért. **VESZÉLYES FESZÜLTSG!** **ÁRAMÜTÉS VESZÉLY!**

## ÁJÁNLÁS

- Az új automata mosógép telepítését rendelje meg a legközelebbi márkaszerviznél (vagy vízszelő szakembernél).
- A mosógépet jól szellőző helyiségbe telepítse. A készüléket úgy helyezze el, hogy az ajtót kényelmesen és teljesen ki lehessen nyitni. A mosógépet nem lehet bútorba építeni.
- A mosógép optimális üzemeltetési hőmérséklete 15 és 25°C között.
- A megfagyott tömlők megrepedhetnek, felhólyagosodhatnak. Amennyiben a környezeti hőmérséklet fagypont alá süllyed, akkor a készülék biztonságos működéséhez szükséges feltételek már nem biztosítottak.
- A telepítés után első mosási ciklust ruhák nélkül, a „fehér pamut 90°C”-os program futtatásával hajtja végre, a mosószer fiók második rekeszébe 1/2 adagolópohár mennyiségű mosószert adagoljon.
- A mosópor vagy az öblögető anyag lerakódhat vagy beszáradhat a mosószer fiókba, ezért a mosószerket mindig csak a mosás megkezdése előtt adagolja a rekeszekbe.
- Az előmosás programot csak erősen szennyezett ruhák mosásához használja.
- A ruha mennyisége ne haladja meg a maximálisan megengedett mennyiséget. Ellenkező esetben a mosógép vész üzemmódba kapcsol át.
- A mosógépben csak olyan ruhákat mosson, amelyek a gyártó által elhelyezett címke szerint mosógépben moshatók.
- A mosószerket (mosópor, gél, öblögető stb.) adagolását a mosószer gyártójának az előírásai szerint végezze.
- A ruhák zsebeit mindig ellenőrizze le, mielőtt a ruhákat a mosógépbe tenné, azokban nem lehet semmilyen idegen tárgy vagy anyag (pl. szeg, tű, öngyújtó, gyufa, papírsebkendő, gemkapocs stb.). Az ilyen anyagok károsíthatják a mosógépet és a mosott ruhát.
- Az erősen poros ruhák is kárt tehetnek a mosógép alkatrészeiben. Az ilyen ruhákat előbb alaposan rázza ki.
- A mosószer adagoló fiókot a készülék működése közben ne húzza ki.
- Működés közben az ajtót erőszakkal ne nyissa ki.
- Az ajtó kinyitása előtt ellenőrizze le, hogy a dobban nincs-e víz. Ha víz van a dobban, akkor az ajtót ne nyissa ki.
- A program befejezése után várjon legalább 2 percet, majd nyissa ki a készülék ajtaját.
- A fehérítő szerekben található kén korróziót okozhat. Ezért a készülékbe fehérítő szert ne töltsön be. A mosógépbe oldószereket (pl. műszaki benzint) tartalmazó készítményeket használni tilos.
- Ha a mosógépet hosszabb ideig nem fogja használni, akkor hálózati vezetékét húzza ki a fali aljzatból, a vízszelőpet zárja el és az ajtót is nyissa ki. A mosógép belseje kiszárad és nem lesz szagos.
- A gyártás közben végrehajtott vizsgálatok miatt, a mosógépben kisebb mennyiségű víz maradhat, ez azonban semmilyen kockázatot sem jelent.

## Vízkiáramlás veszélye

- A készüléket a mellékelt tömlőkészlettel csatlakoztassa a vízvezeték hálózathoz.
- Ne használjon régi és már használt tömlőt.
- A használat befejezése után a hálózati csatlakozódugót húzza ki a fali aljzatból és a vízszelőpet is zárja el.
- A leeresztő tömlő végét ne tegye mosdóba, mosogatóba vagy vödörbe.

## Leesés vagy sérülés veszélye

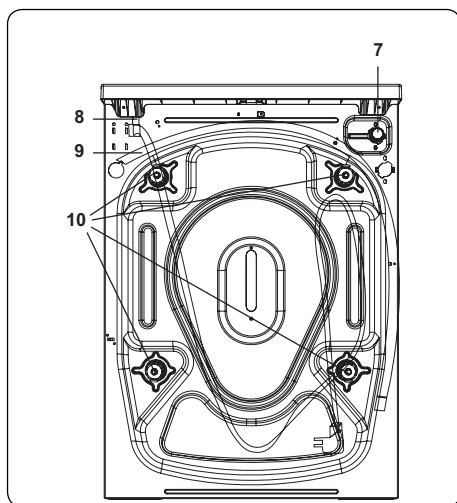
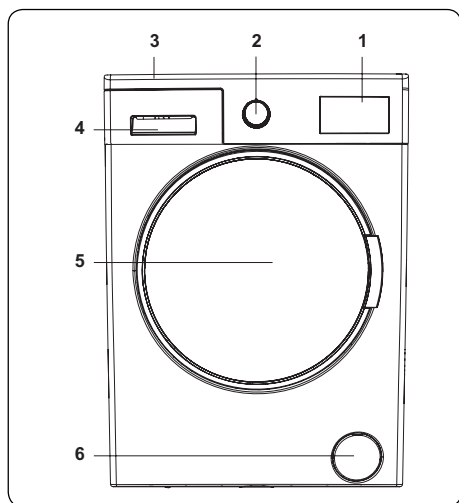
- A mosógépre ne álljon fel és ne üljön rá. A felső lap elrepedhet, Ön pedig leeshet.
- Az ajtónak ne támaszkodjon neki. Az ajtót ne csapja be erővel. Ha az ajtót nem tudja becsukni, akkor ellenőrizze le a dobban található ruha mennyiségét és behelyezését.
- A telepítés után a tömlőt és a hálózati vezetékét biztonságosan helyezze el. A megbotlás vagy elakadás sérülést okozhat.
- A mosógépet az oldalára fektetni vagy fejre állítani tilos.

- A kiálló részeknél (mosószer fiók, ajtó) megfogva a mosógépet megemelni tilos. A kiálló részek letörhetnek, sérülést okozhatnak.
- A mosógép mozgatásához két felnőtt személy szükséges.

## Gyerekek biztonsága

- A 3 év alatti gyerekeket tartsa távol a készüléktől, felügyelet nélkül gyerekek nem tartózkodhatnak a készülék közelében. A közelben tartózkodó gyerekeket ne hagyja felügyelet nélkül. A gyerekeket a mosógépbe bújva súlyos vagy halálos sérülés érheti.
- Működés közben az ajtó üvege és a mosógép felülete forró lehet. A gyerekeket tartsa távol, nehogy megfogják a forró felületeket.
- A csomagolóanyagokat gyerekektől elzárt helyen tárolja. Fulladásveszély!
- A mosószer lenyelése mérgezést okozhat, a mosószer bőrre vagy szembe kerülése irritációt okozhat. A mosószereket gyerekektől tartsa távol!

## LEÍRÁS



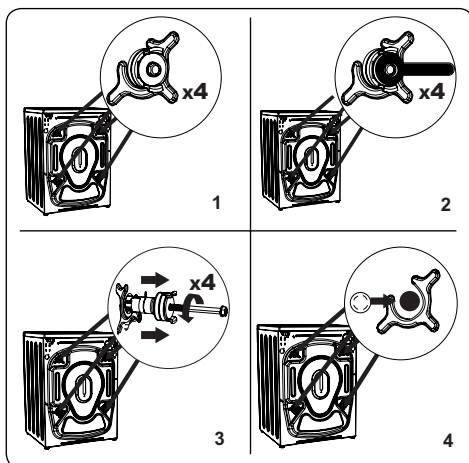
1. Elektronikus kijelző
2. Programválasztó
3. Felső fedél
4. Mosószer fiók
5. Dob
6. Szivattyú szűrő fedél
7. Feltöltő szelep
8. Hálózati vezeték
9. Leeresztő tömlő
10. Szállító csavarok

## TELEPÍTÉS

### A dobörgítő csavarok kiserelése

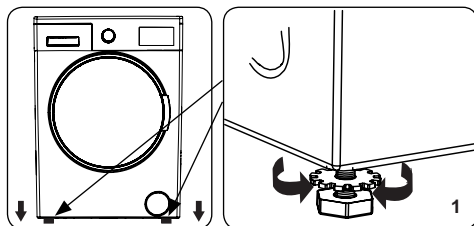
1. A készülék üzembe helyezése előtt a hátlapon távolítsa el a 4 db szállító csavart és gumi alátétet. Ha a csavarokat nem szereli ki, akkor a használat közben a mosógép erősen berezgeghet, elmozdulhat a helyéről, illetve meghibásodhat. Az ilyen meghibásodásokra a garancia nem vonatkozik.
2. A csavarokat megfelelő méretű kulccsal forgassa el az óramutató járásával ellenkező irányba.
3. A meglazított csavarokat húzza ki.
4. A furatokba dugja bele a mellékelt műanyag dugókat. A szállító csavarokat őrizze meg (a készülék szállítása előtt a csavarokat csavarozza vissza a mosógépbe).

**Megjegyzés:** az első használatba vétel előtt a szállító csavarokat távolítsa el a készülékből. A garancia nem vonatkozik a mosógép olyan meghibásodásaira, amelyeket a csavarok el nem távolítása okozott.



### A mosógép vízszintbe állítása az állítható lábakkal

1. A mosógépet ne állítsa puha padlóra (pl. szőnyegre), amely meggátolja a készülék alatti szabad levegőáramlást.
  - A rezgésmentes és csendes üzemeltetéshez a mosógépet szilárd padlóra (pl. járólapra) telepítse.
  - A mosógépet az állítható lábakkal kell vízszintes helyzetbe állítani.
  - Lazítsa meg a műanyag biztosító anyát.
2. A mosógép emeléséhez a lábat az óramutató járásával azonos irányba forgassa el. A mosógép süllyesztéséhez a lábat az óramutató járásával ellenkező irányba forgassa el.
  - A mosógépet vízmérték segítségével állítsa be (minden irányba) vízszintes helyzetbe, majd a lábakon található műanyag biztosító anyát húzza meg.
3. A mosógépet nem szabad a lábak alá helyezett kartonnal, fával stb. vízszintes helyzetbe állítani.
  - A mosógép alatti rész takarítása közben ügyeljen arra, hogy a mosógép ne mozduljon el, illetve ha a mosógép billeg, akkor ismét állítsa be a vízszintes helyzetet.



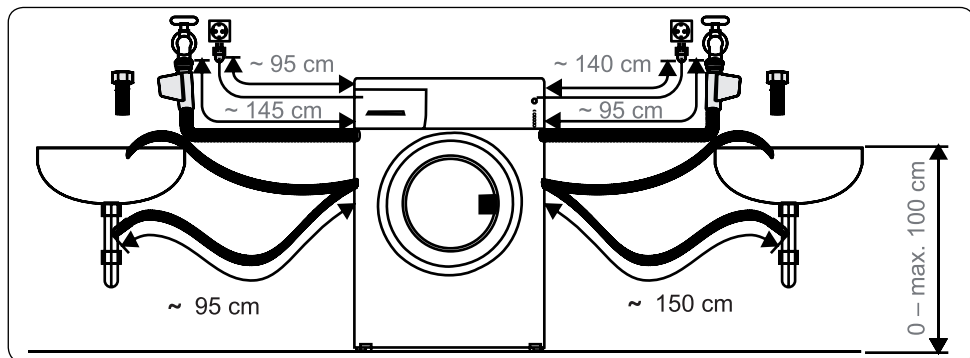
### Elektromos bekötés

- A mosógép tápfeszültsége 220 –240 V, 50 Hz.
- A mosógép hálózati vezetékén található csatlakozódugó földelt kivételű. A csatlakozódugót csak szabályszerűen leföldelt és 10 A-es kismegszakítóval védett hálózati ághoz szabad csatlakoztatni.
- Amennyiben a telepítés helyén nincs megfelelő fali aljzat, akkor villanszerelő szakembernél rendelje meg az aljzat felszerelését és bekötését.
- Nem vállalunk felelősséget az olyan balesetekért, amelyeket nem földelt hálózati aljzathoz való csatlakoztatás okozott.

**Megjegyzés:** a fentieknél alacsonyabb feszültségen történő üzemeltetés a mosógép élettartamának a lerövidülését és a mosógép kisebb teljesítményét okozza.

## Vízömlő bekötése

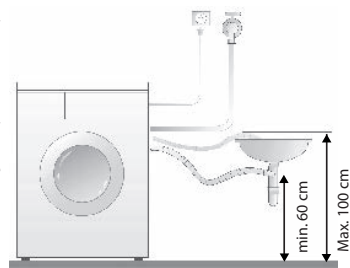
1. A mosógép kivételétől függően a mosógépet hideg víz hálózathoz, illetve hideg és meleg víz hálózathoz lehet csatlakoztatni. A fehér csatlakozóval rendelkező tömlőt a hideg víz bemenethez, a piros csatlakozóval rendelkező tömlőt (ha ilyen van) a meleg víz bemenethez kell csatlakoztatni.
- A tömlő(k) tömítéséhez 1 vagy 2 tömítőgyűrűt is mellékelünk (típustól függően). A tömítőgyűrűt tegye a csatlakozóba, majd a csatlakoztassa a szelephez.
2. A tömlő csatlakozó menet mérete  $\frac{3}{4}$ ".
- A fehér csatlakozót a mosógép fehér bemenetéhez, a piros csatlakozót (ha ilyen van) a piros bemenethez csatlakoztassa.
- A csatlakozókat kézzel húzza meg. Bizonytalanság esetén kérjen tanácsot vízvezeték szerelő szakembertől.
- A mosógépet 0,1 – 1, MPA nyomású vízvezetékhez lehet csatlakoztatni, ez biztosítja az optimális működési hatékonyságot (0,1, MPA nyomás esetén a teljesen kinyitott szelepen keresztül 8 liter víz áramlik a mosógépbe egy perc alatt).
3. A tömlők bekötése után nyissa ki a szelepeket és ellenőrizze le a tömítettséget.
4. Ügyeljen arra, hogy tömlő nem legyen megtörve, megtekeredve vagy összenyomva.
- Ha a mosógépet meleg víz rendszerre is bekötötte, akkor a meleg víz hőmérséklete nem lehet 70°C-nál nagyobb.



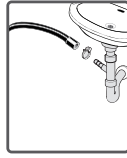
**Megjegyzés:** a mosógépet csak a készülékhez mellékelt tömlők segítségével kösse be a vízvezetékekre. Ne használjon régi és használt tömlőket.

## A kifolyó víz bekötése

- A kifolyó vizet elvezető tömlőt csatlakoztassa fali elvezetőhöz, vagy a mosdó szifonján található csomahoz. A tömlőt bilincssel rögzítse.
- A kifolyó vizet elvezető tömlőt nem szabad meghosszabbítani.
- A kifolyó vizet elvezető tömlő végét ne dugja vödörbe, edénybe, mosdóba vagy kádba.
- A kifolyó vizet elvezető tömlő nem lehet megtörve, megtekeredve vagy összenyomva.
- A kifolyó vizet elvezető tömlő vége nem legyen 100 cm-nél magasabban a padlótól.

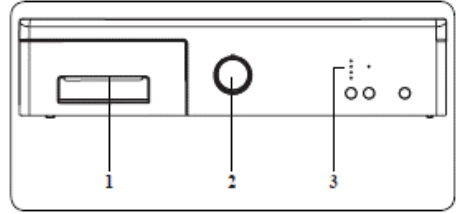






## A MŰKÖDTETŐ PANEL RÉSZEI

1. Mosószer fiók
2. Programválasztó
3. Elektronikus kijelző és kiegészítő funkciók



### Mosószer fiók

1. Fal a folyékony mosószer adagolásához
2. Mosópor rekesz
3. Öblítőszer rekesz
4. Mosópor rekesz az előmosáshoz

### Rekeszek

#### Mosópor rekesz

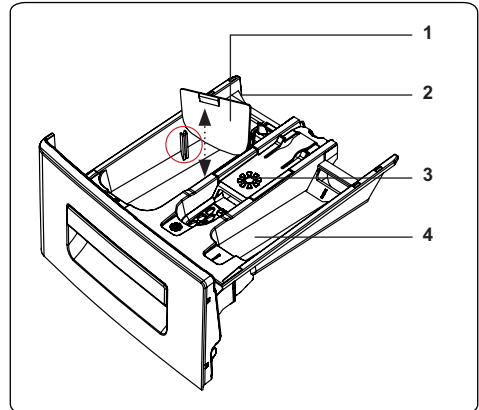
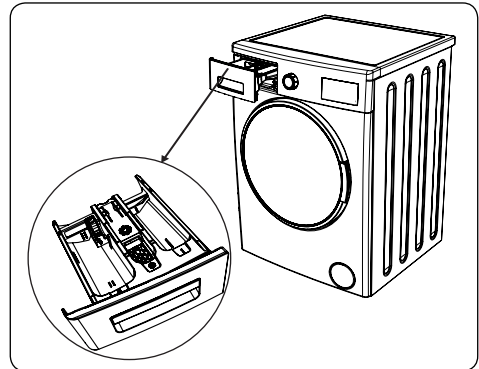
Ebbe a rekeszbe lehet adagolni (a főmosáshoz) a mosóport vagy a folyékony mosószert (gélt), illetve a vízkő eltávolító készítményt.

#### Öblítőszer, keményítő stb. rekesz

Ebbe a rekeszbe lehet adagolni az öblítőszert vagy keményítőt. Tartsa be a készítményen található használati útmutató előírásait. Amennyiben az alkalmazott szer esetleg foltot hagy a ruhán, akkor a szert hígítsa vízzel, vagy használjon másik szert.

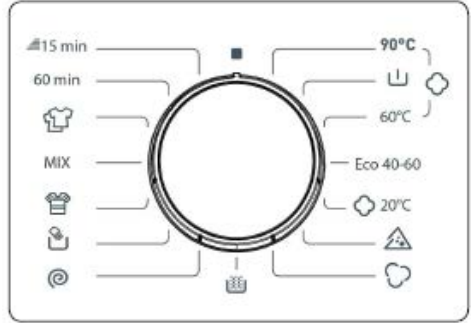
#### Mosópor rekesz az előmosáshoz

Amennyiben az előmosás funkciót is használni kívánja, akkor ebbe a rekeszbe adagolja a mosószert. Az előmosás funkciót csak erősen szennyezett ruhák esetében használja.



## Programválasztó

- A használni kívánt program kiválasztásához a gombot az óramutató járásával azonos (vagy ellenkező) irányba forgassa el. A gomb jele a kiválasztandó programra nézzen.
- A bekapcsolás előtt ellenőrizze le, hogy a gomb jele a használni kívánt programon áll-e.

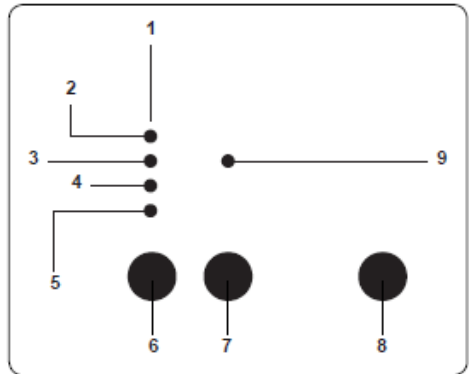


## Elektronikus kijelző

1. Kijelző panel
2. Mosás kijelző
3. Öblögetés kijelző
4. Centrifugálás kijelző
5. Program befejezés kijelző
6. Késleltetett indítás gomb
7. Gyors mosás gomb
8. START/PAUZA gomb
9. Gyors mosás kijelző

A kijelzőn megjelenik a késleltetett indítás ideje (ha be van állítva), a hőmérséklet, a kiegészítő funkciók (amelyek be vannak állítva), a futó program aktuális szakasza (előmosás / főmosás - öblítés - centrifugálás).

A program befejezését az END (vége) felirat megjelenése jelzi ki. A kijelzőn jelennek meg az esetleges hibaüzenetek is.



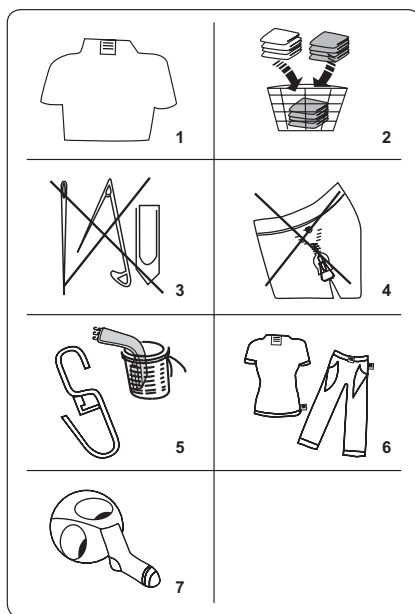
# A MOSÓGÉP HASZNÁLATA

## A ruhák előkészítése

- Tartsa be a ruha címkén található utasításokat.
  - A ruhákat anyagaik (pamut, szintetikus, selyem, gyapjú stb.), a mosási hőmérséklet (hideg víz, 30°, 40°, 60°, 90°), vagy a szennyezettség szerint válogassa szét (enyhén koszos, koszos, erősen koszos).
- Ne mosson egyszerre színes és fehér ruhákat.
  - A sötét színű ruhákból egy ideig festék válhat ki, ezért az új sötét ruhákat önállóan mossa ki.
- A ruhák zsebeit ellenőrizze le, azokból a zsebkendőket, fém és egyéb tárgyakat vegye ki.

**FIGYELEM!** A garancia nem vonatkozik azokra a meghibásodásokra, amelyeket idegen tárgyak okoztak a mosógépben.

- A cipzárat húzza össze, a kapcsokat nyomja össze, a csatokat csatolja be stb.
- Amennyiben a ruha levehető fém kapcsokat, akasztókat tartalmaz (pl. függönyön), akkor ezeket vegye le, vagy a ruhát mosóhálóba tegye bele.
- A ruhákat, nadrágokat, pólókat, pulóvereket, kardigánokat, kabátokat stb. fordítsa ki.
- A zoknikat, zsebkendőket és más hasonló kis méretű ruhát mosóhálóban mossa ki.



## Ruha ápolási jelek

 Normál mosás	 Maximális mosási hőmérséklet 90 °C	 Maximális mosási hőmérséklet 60 °C
 Maximális mosási hőmérséklet 30 °C	 Kézi mosás	 Mosni tilos
 Fehéríthető	 Ne fehérítse	 Maximális vasalási hőmérséklet 110 °C
 Maximális vasalási hőmérséklet 150 °C	 Maximális vasalási hőmérséklet 200 °C	 Ne vasalja
 Vegytisztítás	 Vegytisztítás tilos	 Laposra terítse szét
 Nedves állapotban akassza fel	 Akasztva szárítsa	 Dobos szárítógépben ne szárítsa



Tisztítható benzinnel, alkohollal és trifluor-triklór-etánnal



Tisztítható benzinnel, perklór-etilénnel



Tisztítható benzinnel, perklór-etilénnel, R11 és R113-mal

## A szennyes ruha berakása a dobba

- Nyissa ki az ajtót.
- A ruhát egyenletesen eligazítva tegye a dobba.

**MEGJEGYZÉS:** a dobba ne tegyen be túl sok ruhát (túllépve a maximálisan megengedett mennyiséget), mert a mosás minősége nem lesz megfelelő, a ruha erősen gyűrött marad stb. A dob kapacitását (terhelhetőségét) a programtáblázat tartalmazza.

A következő táblázat tartalmazza a ruhák tájékoztató tömegét.

RUHA TÍPUSA	TÖMEG (g)
Törülköző	200
Ágynemű	500
Fürdőköpeny	1200
Takaró	700
Párnahuzat	200
Alsónemű	100
Abrosz	250

- A ruhákat egyenként tegye a dobba.
- Ügyeljen arra, hogy az ajtó és a gumi tömítés között ne legyen ruha.
- Az ajtót kattanáig nyomja be.
- Ha az ajtó nincs megfelelő módon bezárva, akkor a program nem indul el.

## Mosószer adagolás

Az adagolt mosószer mennyiségét a következők figyelembe vételével határozza meg.

- Ha a ruha nem koszos, akkor ne használjon előmosást. A mosószer gyártó utasításai szerinti mennyiséget a II. (főmosás) rekeszbe adagolja.
- Ha a ruha nagyon koszos, akkor olyan programot válasszon, amely előmosást is tartalmaz. A mosószernek az ¼ részét az előmosás rekeszbe (I), a maradék mosószert a főmosás (II) rekeszbe töltsse be.
- A készülékbe kizárólag csak automata mosógépekben való használatra készült mosószereket adagoljon. Tartsa be a mosószer gyártójának az előírásait az adagolt mennyiséget illetően.
- Ha Önöknél a víz keményebb, akkor adagoljon valamivel több mosószert.
- A ruha mennyiségével arányban növelni kell az adagolt mosószer mennyiségét is.
- A középső rekeszbe öblítő szert adagolhat. Ne töltsön a MAX jelnél több öblítőt a rekeszbe.
- A túl sűrű öblítőszert előbb vízzel hígítsa fel.
- Folyékony mosószert (az előmosó programok kivételével), bármilyen mosáshoz használni lehet. Ha folyékony mosószert kíván használni, akkor a főmosás (II) rekeszbe tegye bele az elválasztó falat is. A falon található jelek segítségével pontosan adagolhatja a folyékony mosószert.

## A mosógép használata

1. A mosógép hálózati vezetékét csatlakoztassa a fali aljzathoz.
  2. Nyissa meg a vízszlepet.
- Nyissa ki a mosógép ajtaját.
  - A ruhát egyenletesen eligazítva tegye a dobba.

- Az ajtót kattanásig nyomja be.

## Programválasztás

Használja a programtáblázatot és a legjobban megfelelő programot válassza ki.

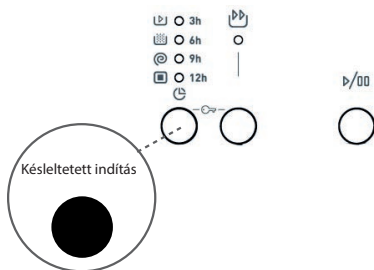
## Fél adag érzékelése

A mosógép felismeri a fél adag ruhát.

Ha a dobba a maximális mennyiségnek a felénél kevesebb ruhát tesz be, akkor a mosógép automatikusan a fél töltetnek megfelelő programot futtatja. Ez azt jelenti, hogy a mosás ideje rövidebb lesz, a gép kevesebb vizet és energiát használ fel a mosáshoz.

## Késleltetett indítás funkció

- Nyomja meg egyszer a késleltetett indítás gombot.
- A „3h” kijelző kapcsol be.
- A késleltetett indítás funkció gombjának a nyomogatásával állítsa be a késleltetett indítás idejét (3, 6, 9 vagy 12 óra), a beállított idő kijelzője világít.
- Ha véletlenül túllépte a kívánt késleltetett indítási időt, akkor addig nyomogassa a késleltetett indítás funkció gombját, amíg ismét be nem kapcsol a kívánt idő kijelzője.
- A késleltetett indítás idejét bármelyik kiegészítő funkció gomb megnyomásával jóvá lehet hagyni (kivéve a Start/Szünet gombot).
- A késleltetett indítás idejének a visszaszámlálásához nyomja meg a Start/Szünet gombot.
- Ha szeretné kikapcsolni a késleltetett indítás funkciót (a beállítás után), akkor egyszer nyomja meg a késleltetett indítás funkció gombját. A késleltetett indítás funkció kijelzője elalszik.
- Amennyiben már beállította a késleltetett indítás funkciót, és szeretne ruhát betenni (vagy kivenni), akkor nyomja meg a Start/Szünet gombot. A ruha betétele (kivétele) után nyomja meg ismét a Start/Szünet gombot (a késleltetett indítás visszaszámlálásának a folytatásához).



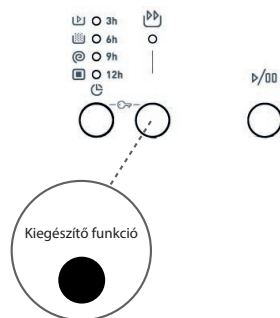
## Gyors mosás: kiegészítő funkció

Ezzel a funkcióval gyorsabban lehet kisebb mennyiségű ruhát mosni (kevesebb víz és energia felhasználásával).

Ezt a funkciót akkor javasoljuk használni, ha a ruha a maximális mennyiség felénél kevesebb.

A funkció kiválasztásához nyomja meg a Gyors mosás gombot. A gyors mosás gomb kijelzője bekapcsol.

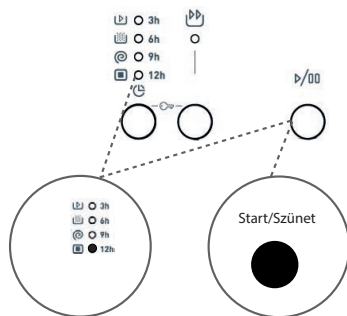
**MEGJEGYZÉS:** ha a dobba a maximális mennyiségnek a felénél kevesebb ruhát tesz be, akkor a mosógép automatikusan a fél töltetnek megfelelő programot futtatja. Ez azt jelenti, hogy a mosás ideje rövidebb lesz, a gép kevesebb vizet és energiát használ fel a mosáshoz. Ha a mosógép a fél töltetnél kevesebb ruha mennyiséget érzékel, akkor a kijelzőn automatikusan bekapcsol a Gyors mosás kijelző.



## Start/Szünet gomb

A kiválasztott program indításához nyomja meg a Start/Szünet gombot.

Bekapcsol a mosás kijelző.



## Gyerekszár

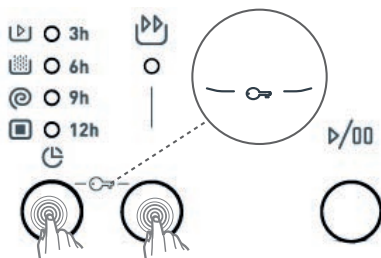
A gyerekszár (gombok zárolása) funkcióval le lehet blokkolni a mosógép beállító elemeit, a beállításokat nem lehet véletlenül megváltoztatni.

A gyerekszár aktiválásához egyidejűleg nyomja be és tartsa legalább 3 másodpercig benyomva a kiegészítő funkciók gombjait (lásd az ábrát). A gyerekszár aktiválása után a kiegészítő funkció kijelző világít.

Ha a mosógép beállító elemeit véletlenül megnyomja vagy elforgatja, és a gyerekszár aktív, akkor a kiegészítő funkció kijelző villogni kezd.

Ha a mosógép már mos, és aktív gyerekszár mellett a programgombot elforgatja (pl. 0-ra és vissza), akkor a mosógép nem reagál erre a változásra, tovább folytatja a megkezdett programot.

A gyerekszár deaktiválásához egyidejűleg nyomja be és tartsa legalább 3 másodpercig benyomva a kiegészítő funkciók gombjait.



## A futó program törlése

**A futó programot bármikor törölni lehet.**

1. A programgombot fordítsa „0” állásba.
2. A mosógép leáll, a program törlődik.
3. A víz kiszivattyúzásához a programgombot fordítsa valamelyik programra.
4. A mosógép kiszivattyúzza a vizet és leáll.




Most választhat egy másik programot és újból kezdheti a mosást.

## Program vége

Amikor a kiválasztott program befejeződik, a mosógép leáll.

- A panelen a program végét mutató kijelző világít.
- Az ajtót nyissa ki és vegye ki a ruhákat.
- Az ajtót hagyja nyitva, hogy mosógép belseje meg tudjon száradni.
- A programgombot fordítsa „0” állásba.
- A hálózati vezetékét húzza ki a fali aljzatból.
- Zárja el a vízszelepet.

## PROGRAMTÁBLÁZAT

Program	Hőmérséklet (°C)	Száraz ruha maximális mennyisége (kg)	Mosószer fiók rekesz	Időtartam (perc)	Ruha szennyezettsége és típusa
PAMUT 90°	90	5,0	2	176	Nagyon koszos, pamut és len ruhák. (Alsóneműk, ágyneműk, abroszok, törülközők (max. 2,5 kg), huzatok stb.)
Előmosás - pamut	60	5,0	1+2	156	Koszos pamut és len ruhák. (Alsóneműk, ágyneműk, abroszok, törülközők (max. 2,5 kg), huzatok stb.)
PAMUT 60 °C	60	5,0	2	190	Koszos pamut és len ruhák. (Alsóneműk, ágyneműk, abroszok, törülközők (max. 2,5 kg), huzatok stb.)
ECO 40-60	40	5,0	2	180	Koszos pamut és len ruhák. (Alsóneműk, ágyneműk, abroszok, törülközők (max. 2,5 kg), huzatok stb.)
PAMUT 20 °C	20	2,5	2	96	Kevésbé koszos pamut és len ruhák. (Alsóneműk, ágyneműk, abroszok, törülközők (max. 2 kg), huzatok stb.)
Szintetikus 	40	3,0	2	110	Nagyon koszos, szintetikus anyagból készült ruha. (Nejlonharisnya, trikó, hálóing, szintetikus anyagkeverékek stb.)
GYAPJÚ 	30	2,0	2	39	Mosógépben mosható gyapjú ruha.
ÖBLÍTÉS 	--	5,0	--	36	Bármilyen ruhatípus kiegészítő öblítése.
CENTRIFUGÁLÁS 	--	5,0	--	15	Bármilyen ruhatípus kiegészítő centrifugálása.
FINOM / KÉZI MOSÁS 	30	2,0	2	90	Finom és kézi mosást igénylő ruha.
SZÍNES 40 °C 	40	3,0	2	180	Kevésbé koszos pamut és len ruhák. (Alsóneműk, ágyneműk, abroszok, törülközők (max. 2 kg), huzatok stb.)
KEVERT MIX	30	3,0	2	81	Pamut, szintetikus, színes és len ruhák együtt mosása.
HÁLÓINGEK, FINOM ALSÓRUHÁK 	60	3,0	2	107	Pamut, szintetikus, kevert anyagok, trikók, hálóingek együtt mosása.
GYORS 60 perces	60	2,0	2	60	Pamut, színes pamut és len ruhák 60 °C-on történő mosásához, 60 perces program.
GYORS 15 perces	30	2,0	2	15	Enyhén koszos pamut, len, színes ruha stb.

\* A rövid mosáshoz használjon kevesebb mosószert. Előfordulhat, hogy a mosógép hosszabb ideig egyengeti a ruhát a centrifugálás megkezdése előtt (a program 15 percnél hosszabb lesz). A mosógép ajtaját a program befejezése után 2 perc múlva lehet kinyitni. (Ez a 2 perc nincs beszámítva a mosási program idejébe).

**MEGJEGYZÉS:** A PROGRAM TÉNYLEGES IDEJE FÜGG A RUHA MENNYISÉGÉTŐL, A VÍZ KEMÉNYSÉGÉTŐL, A KÖRNYEZETI HŐMÉRSÉKLETTŐL, A KIVÁLASZTOTT KIEGÉSZÍTŐ FUNKCIÓKTÓL.

- Ha a dobba 2 kg-nál kevesebb ruhát tesz be, akkor automatikusan a 30 perces programot futtatja a mosógép.
- A rövidebb idejű mosáshoz használjon kevesebb mosószert. Előfordulhat, hogy a mosógép hosszabb ideig egyengeti a ruhát a centrifugálás megkezdése előtt (a program 15 percnél hosszabb lesz). A mosógép ajtaját a program befejezése után 2 perc múlva lehet kinyitni. (Ez a 2 perc nincs beszámítva a mosási program időtartamába).
- A Bizottság 1015/2010/EU és 1061/2010/EU rendelete szerint a mosógép használati útmutatójában fel kell tüntetni, hogy a „normál 60 °C-os pamutprogram” és „normál 40 °C-os pamutprogram” az átlagosan szennyezett pamut textíliák tisztítására alkalmasak, és hogy az ilyen típusú pamut textíliák mosásához a kombinált energia- és vízfogyasztást tekintve ezek a leghatékonyabb programok.
- Az Eco 40–60 program egy adott ciklusban, 40 °C vagy 60 °C-os ajánlott hőmérsékletű vízzel, optimális módon tisztítja meg az átlagosan szennyezett pamut ruhákat. Ezt a programot kell figyelembe venni az európai környezetbarát tervezés szerinti jogi előírások alapján történő kiértékeléshez.
- Ami az energiafogyasztást illeti, általában az alacsonyabb hőmérsékleten hosszabb ideig tartó programok a leghatékonyabbak.
- A háztartási mosógépek programjainál feltüntetett dobkapacitás teljes kihasználása hozzájárul a víz- és energiatakarékossághoz.

- A programok időtartama, az elfogyasztott energia és a felhasznált víz mennyisége függ a dobba helyezett ruhák tömegétől, a kiválasztott kiegészítő funkcióktól, a víz keménységétől és a környezeti hőmérséklettől.
- Az alacsonyabb hőmérsékleten való mosáshoz ajánljuk folyékony mosószerek használatát. A mosószér adagolandó mennyisége függ a dobba töltött ruha mennyiségétől és a ruha szennyezettségétől. A mosószér adagolásához vegye figyelembe a mosószér gyártójának az ajánlásait is.
- A centrifugálás fordulatszámától függ a mosógép centrifugálási zajsztintje, valamint a ruhában maradó nedvesség. Minél nagyobb a centrifugálási fordulatszám, annál nagyobb a zajszint és annál kisebb a ruhában maradó nedvesség.
- A termékek adataihoz az energetikai címkén található QR kód beolvasásával lehet hozzáférni.

## Fontos információk

- A mosószér fiókba csak automata mosógépekben való használatra készült mosó- és egyéb tisztítószereket adagoljon. Más mosószerek használata esetén a mosógépben túl nagy mennyiségű hab keletkezhet, ami a mosás hatékonyságát jelentős mértékben csökkentheti.
- Javasoljuk, hogy a mosógépet (dobot) 2 havonta tisztítsa ki. Ehhez használja a Drum Clean (dobtisztítás) programot. Ha a mosógépen nincs Drum Clean program akkor a Pamut 90°C-os programot használja. A tisztításhoz kizárólag csak mosógépek tisztítására (vízkömentesítésére) kifejlesztett szereket használjon.
- Az ajtót ne próbálja kinyitni, amikor a mosógép működik. A mosógép ajtaját a program befejezése után 2 perc múlva lehet kinyitni.
- A telepítést és a mosógép javítását bizza márkaszervizre. A mosógép szakszerűtlen javítása miatt bekövetkező károkért a gyártó semmilyen felelősséget sem vállal.

## TISZTÍTÁS ÉS KARBANTARTÁS

### Figyelmeztetés

**A tisztítás és karbantartás megkezdése előtt a készüléket kapcsolja le, és hálózati csatlakozódugót is húzza ki a fali aljzatból. A karbantartás vagy tisztítás megkezdése előtt a vízszellepet is zárja el.**

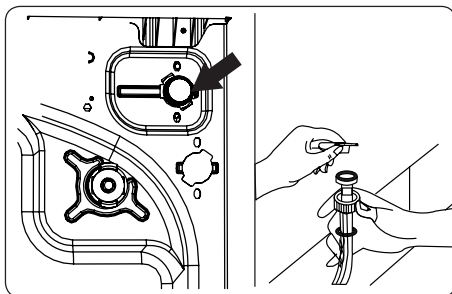
**A tisztításhoz abrazív anyagokat, benzint, oldószereket stb. tartalmazó tisztítóanyagokat használni tilos. Ezek a készülék felületén maradandó sérüléseket okozhatnak.**

### Vízbevezető szűrő

A szűrő megakadályozza, hogy a vízvezeték rendszerből szennyeződés kerüljön a mosógépbe.

Amennyiben azt észleli, hogy a víz lassabban folyik a készülékbe (teljesen kinyitott szelep mellett), akkor a szűrőt meg kell tisztítani. Javasoljuk, hogy a szűrőt 2 havonta tisztítsa meg.

- Zárja el a vízszellepet és csavarozza le a tömlőt a mosógép bemenetén.
- Egy fogóval vagy csipesszel vegye ki a szűrőt.
- A tömlő másik végén, a vízszellepnél is található szűrő. A tömlőnek ezt a végét is csavarozza le a szelepről. Egy fogóval vagy csipesszel vegye ki a szűrőt.
- A szűrőt puha ecsettel tisztítsa meg, majd folyóvíz alatt öblítse le. A szűrőket tegye vissza a helyükre és tömlőt szerelje vissza.



**FIGYELEM!** A víztömlőbe szerelt szűrők gyorsabban eltömődnek, ha a vízvezetékben sok a szennyeződés. A szűrőkben a szennyeződés maradandó sérülést is okozhat. Az ebből bekövetkező meghibásodásokra a garancia nem vonatkozik.



## Szivattyú szűrő

A szivattyú elé beépített szűrő megvédi a szivattyút a sérülésektől. Javasoljuk, hogy a szűrőt 2 havonta tisztítsa meg.

A szivattyú szűrő a jobb alsó sarokban található fedél alatt van.

A szivattyú szűrőt az alábbi lépések szerint tisztítsa meg.

1. Vegye ki a fedelet. A fedelet pl. a mosópor rekesz elválasztó falával, vagy a mérőpohárral lehet kinyitni.
2. A mérőpohár fogantyúját vagy az elválasztó falat dugja fedél nyílásába és nyissa ki. A fedelet vegye ki.
3. A dugó kicsavarása előtt a nyílás alá tegyen egy lapos edényt, amelybe a víz kifolyik.
4. A szűrőt az óramutató járásával ellenkező irányba forgassa el, majd húzza ki. Várja meg a víz kifolyását az edénybe.

**MEGJEGYZÉS:** az edény méretétől függően előfordulhat, hogy az edény megtelése esetén a dugót el kell zárni, és többszöri nyitás-zárással kell a vizet a mosógépből kiengedni.

5. A szűrőt húzza ki és egy ecsettel tisztítsa meg.
6. A tisztítás után a szűrőt tegye vissza a helyére, majd az óramutató járásával azonos irányba elforgatva rögzítse.
7. A fedelet pattintsa vissza a nyílásba, ügyeljen arra, hogy mindegyik nyelv beugorjon.
8. Ellenőrizze le a fedél helyes rögzítését.

**VESZÉLY!** A szivattyúban (szűrőben) található víz forró is lehet! Várja meg a víz lehűlését.

## Mosószer fiók

Ha mosóport használ a mosáshoz, akkor egy idő után a rekeszben mosópor lerakódások keletkezhetnek. 2 havonta vegye ki a mosószer fiókot, és távolítsa el a lerakódásokat.

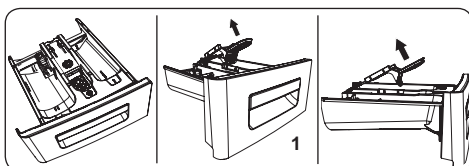
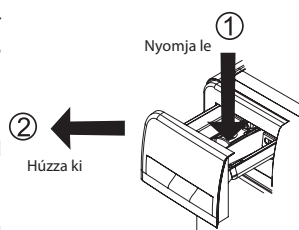
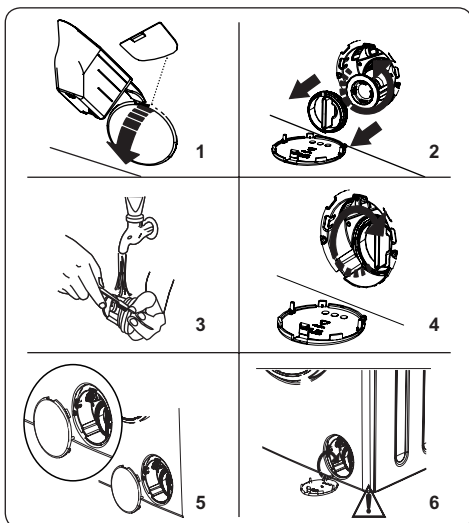
A mosószer fiók kiszerezése és tisztítása.

- Húzza ki ütközésig a mosószer fiókot.
- A nyelvet nyomja le és a mosószer fiókot húzza ki a készülékből (lásd az ábrát).
- A mosószer fiókot vízzel öblítse ki.
- A lerakódásokat ecsettel lazítsa fel és öblítse ki. Ügyeljen arra, hogy a lerakódások ne kerüljenek a mosógépbe.
- A mosószer fiókot szárítsa meg és tegye vissza a mosógépbe.
- **A mosószer adagoló fiókot mosogatógépben elmosogatni tilos.**

## Öblítő dugó / ház / dob

### 1. Öblítő dugó

A mosószer fiókot húzza ki a mosógépből és az öblítő dugót vegye ki. Alaposan távolítsa el az öblítőszer maradékokat. A tisztítás után az öblítőszer dugót tegye vissza a helyére.



## 2. Ház

A fiók házának a tisztításhoz ne használjon karcoló anyagokat. A házat csak finom mosogatószerrel és vízzel tisztítsa meg. Majd puha ruhával törölje szárazra.

## 3. Dob

Ügyeljen arra, hogy a dobben ne maradjanak fém tárgyak (pénzérme, gemkapocs, biztosító tű stb.), mert ezek rozsdásodást okozhatnak a dob felületén. Az esetleges rozsdásodásokat klórmentes tisztító szerrel távolítsa el, a gyártó utasításait figyelembe véve. A rozsdás foltokat drótszivaccsal nem szabad tisztítani.

# HIBAE LHÁRÍTÁS

A mosógép meghibásodását a márkaszerviznél jelentse be. Amennyiben az alábbi intézkedésekkel nem tudja megszüntetni a hibát, akkor a mosógépet meg kell javítani.

- A készüléket válassza le az elektromos hálózatról.
- Zárja el a vízszелеpet.

HIBA	LEHETSÉGES OK	PROBLÉMAMEGOLDÁS
A mosógép nem kapcsol be.	A mosógép nincs csatlakoztatva az elektromos hálózathoz.	A mosógépet csatlakoztassa az elektromos hálózathoz.
	A kismegszakító lekapcsolt.	Kapcsolja be a kismegszakítót.
	Nincs tápfeszültség.	Ellenőrizze le, hogy más aljzatban van-e feszültség.
	Nem nyomta meg a Start/Szünet gombot.	Nyomja meg a Start/Szünet gombot.
	A programgomb „Stop” helyzetben van.	A programgombot fordítsa a kiválasztott programra.
A mosógépbe nem folyik víz.	Az ajtó rosszul van bezárva.	Zárja be a mosógép ajtaját.
	A vízszелеp el van zárva.	Nyissa meg a szelepet.
	A víztömlő meg van törve.	Ellenőrizze le a víztömlőt, a törést szüntesse meg.
	A víztömlőbe épített szűrő eltömődött.	Tisztítsa meg szűrőket. (*)
	A bemeneti szűrő eltömődött.	A bemeneti szűrőt tisztítsa meg. (*)
A mosógép nem szivattyúzza ki a vizet.	Az ajtó rosszul van bezárva.	Zárja be a mosógép ajtaját.
	A leeresztő tömlő meg van törve vagy el van tömődve.	Ellenőrizze le a leeresztő tömlőt, szüntesse meg a tömődést vagy a törést.
	A szivattyú szűrő eltömődött.	Tisztítsa meg a szűrőt a szivattyúnál. (*)
	A dobben a vizes ruha nagyon összeállt.	A ruhát egyenletesen eligazítva tegye a dobba.


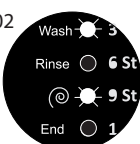

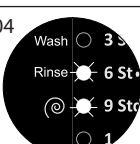
HIBA	LEHETSÉGES OK	PROBLÉMAMEGOLDÁS
A mosógép berezeg.	A lábakat nem állította be.	Állítsa be a lábakat. (**)
	A szállító csavarokat nem távolította el.	Távolítsa el a szállító csavarokat. (**)
	Kevés ruha van a dobben.	A mosógép ettől még működik.
	A dobben túl sok a ruha, vagy egyenetlenül van elosztva.	Ne terhelje túl a dobot. A dobben igazítsa el a ruhát.
	A mosógép puha padlón áll.	A mosógépet telepítse szilárd padlóra.
A mosószer fiókban hab képződik.	Túl sok mosószert töltött az adagolóba.	Nyomja meg a Start/Szünet gombot. Egy evőkanál öblítőt keverjen bele 1/2 liter vízbe, majd az oldatot öntse a mosószer fiók főmosás rekeszébe. 5–10 perc múlva nyomja meg a Start/Szünet gombot.
	Nem megfelelő mosószert töltött az adagolóba.	A készülékbe kizárólag csak automata mosógépekben való használatra készült mosószereket adagoljon.
Nem megfelelő a mosás minősége.	Rossz programot választott ki, a ruha erősen szennyezett volt.	A táblázat szerint válassza ki a megfelelő programot.
	Túl kevés mosószert töltött az adagolóba.	Ügyeljen a mosószer helyes adagolására.
	A mosógépben túl sok a ruha	Ellenőrizze le, hogy az adott program esetében mennyi ruhát lehet egyszerre mosni.
	A víz túl kemény.	Töltsön több mosószert az adagolóba.
	A dobben a vizes ruha nagyon összeállt.	A ruhát egyenletesen ossza el a dobben.
A víz betöltése után a víz kifolyik a mosógépből.	A leeresztő tömlő vége túl alacsonyan van elhelyezve.	Ellenőrizze le, hogy a leeresztő tömlő nincs-e túl alacsonyan. (**).
A mosás közben nem látható víz a dobben.	Ez nem hiba. A víz nem mindig látható a dobben.	-
A ruhán mosószert maradványok vannak.	A fel nem oldódott mosópor fehér foltként jelentkezik a ruhán.	A mosósport kefével távolítsa el, vagy legközelebb állítson be kiegészítő öblítést is.
A ruhán szürke foltok vannak.	A ruhát olaj, krém vagy zsír szennyeződés érte.	Ügyeljen a mosószer helyes adagolására.
A centrifugálás nem kapcsolts be, vagy csak később.	Ez nem hiba. A készülék a ruha kiegyensúlyozatlansága miatt nem indította el a centrifugálást.	A készülék megpróbálja fellazítani és egyenletesebben elosztani a ruhát a dobben. A ruha fellazítása után elindul a centrifugálás. Ügyeljen a ruha egyenletes behelyezésére.

(\*) Lásd a mosógép tisztításával és karbantartásával foglalkozó fejezetet.

(\*\*) Lásd a mosógép telepítésével foglalkozó fejezetet.

## Hibakódok és megoldásaik

A mosógép bizonyos hibákat automatikusan felismer. Ezeket a hibákat a kijelzők kombinált világításával jelzi ki. A leggyakoribb hibakódokat az alábbi táblázat tartalmazza.

HIBAKÓD	OK	ELHÁRÍTÁS
E01 	A mosógép ajtaja rosszul van bezárva.	Az ajtót csukja be, kattanás jelzi a megfelelő záródást. Ha a mosógép továbbra is mutatja a hibakódot, akkor a mosógépet kapcsolja le, húzza ki a csatlakozódugót a fali aljzatból, zárja el a vizet és hívja fel a legközelebbi márkaszervizt.
E02 	Túl alacsony a víznyomás, vagy kevés a víz a mosógépben.	Ellenőrizze le, hogy a szelep ki van-e nyitva. Előfordulhat, hogy nincs víz. Ha a hiba tovább tart, akkor a mosógép rövid idő múlva ismét leáll. A mosógépet kapcsolja le, húzza ki a csatlakozódugót a fali aljzatból, zárja el a vizet és hívja fel a legközelebbi márkaszervizt.
E03 	A szivattyú vagy a szivattyú elektronika meghibásodott, a szűrő eldugult.	Tisztítsa meg a szűrőt a szivattyúnál. Ha a probléma nem szűnt meg, akkor vegye fel a kapcsolatot a márkaszervizzel. (*)
E04 	A mosógépben túl sok a víz.	A mosógép a vizet kiszivattyúzza. A víz kiszivattyúzása után a mosógépet kapcsolja le, húzza ki a csatlakozódugót a fali aljzatból. Zárja el a vizet és hívja fel a legközelebbi márkaszervizt.

(\*) Lásd a mosógép tisztításával és karbantartásával foglalkozó fejezetet.

## MŰSZAKI ADATOK

	<b>EFW 1053 MD</b>
Beépíthető készülék	nem
Száraz ruha kapacitás (kg)	5
Méretek (ma × sz × mé) [mm]	845 × 597 × 497
Névleges tápfeszültség	220-240 V ~ 50 Hz
Teljesítményfelvétel	2100 W
Kismegszakító	10 A
Víznyomás(MPa), min./max.	0,1, MPa/ 1, MPa

## A HULLADÉKOK MEGSEMMISÍTÉSE

A papírt és a hullámpapírt dobja a papírgyűjtő konténerbe. A műanyag fóliákat, PE zacskót és egyéb műanyag csomagolóanyagokat a műanyag gyűjtő konténerbe dobja ki.

## A TERMÉK MEGSEMMISÍTÉSE AZ ÉLETTARTAMA VÉGÉN

**Az elektromos és elektronikus hulladékok kezelésére vonatkozó információk (érvényes az EU tagországokban és a hulladékok szelektálását előíró országokban)**

A terméken, vagy a termék csomagolóanyagán feltüntetett jel azt jelenti, hogy az elektromos és elektronikus készüléket a háztartási hulladékok közé kidobni tilos. A terméket az elektromos és elektronikus hulladékok gyűjtésére kijelölt hulladékgyűjtő helyen kell leadni újrahasznosításhoz. Az elhasznált termék előírás szerű újrafeldolgozásával Ön is hozzájárul a környezetünk védelméhez. A hulladékok megfelelő újrahasznosítása fontos szerepet játszik a természeti erőforrások kímélésében. A termék hulladékgyűjtőbe való leadásáról, és az anyagok újrahasznosításáról további információkat a polgármesteri hivatalban, a hulladékgyűjtő helyen, vagy a termék eladási helyén kaphat.



08/05

Ez a termék megfelel a kisfeszültségű berendezések biztonságára és az elektromágneses kompatibilitásra vonatkozó EU irányelveknek. A termék megfelel az elektromos készülékek nehézfém tartalmára vonatkozó követelményeknek.



A használati útmutatót a [www.ecg-electro.eu](http://www.ecg-electro.eu) honlapról töltheti le.

A szöveg és a műszaki paraméterek megváltoztatásának a joga fenntartva.

# INSTRUKCJE BEZPIECZEŃSTWA

## Należy uważnie przeczytać i zachować do wglądu!

**Uwaga:** Wskazówki i środki bezpieczeństwa w niniejszej instrukcji nie obejmują wszystkich warunków i sytuacji, mogących spowodować zagrożenie. Najważniejszym czynnikiem odpowiadającym za bezpieczne korzystanie z urządzeń elektrycznych jest ostrożność i zdrowy rozsądek. Należy mieć to na uwadze w trakcie obsługi urządzenia. Nie ponosimy odpowiedzialności za szkody powstałe podczas transportu, na skutek nieprawidłowego użytkowania, wahań napięcia oraz zmiany lub modyfikacji którejkolwiek części urządzenia.

Postępuj zgodnie z instrukcjami zawartymi w niniejszej instrukcji obsługi. Przed pierwszym użyciem należy uważnie przeczytać całą pisemną instrukcję obsługi i zachować ją do wykorzystania w przyszłości.

Aby zapobiec wzniesieniu ognia lub porażeniu prądem elektrycznym, korzystając z urządzeń elektrycznych należy przestrzegać podstawowych zasad bezpieczeństwa, m.in.:

1. Upewnij się, że napięcie w gniazdku jest zgodne z napięciem podanym na tabliczce znamionowej urządzenia. Aby zapewnić bezpieczeństwo, wtyczkę przewodu zasilającego należy włożyć do odpowiednio uziemionego trójbiegunowego gniazdka zainstalowanego zgodnie z obowiązującymi normami elektrycznymi, instrukcjami producenta i lokalnymi przepisami bezpieczeństwa.
2. Nie należy korzystać z urządzenia, jeżeli uszkodzony jest przewód zasilający. Podłączenie urządzenia do sieci elektrycznej i wodociągowej, wszelkie naprawy i regulacje (w tym wymianę zasilacza) należy powierzyć autoryzowanemu serwisowi! Nie zdejmuj osłon urządzenia, mogłoby to spowodować porażenie prądem elektrycznym!
3. Nie podłączaj ani nie odłączaj przewodu zasilającego mokrymi rękami. Unikniesz w ten sposób ryzyka porażenia prądem.
4. Nie dotykaj urządzenia mokrymi rękami lub nogami.

5. Po instalacji wtyczka zasilania musi pozostać łatwo dostępna. Nie skracaj kabla, ani nie używaj rozgałęźników i przedłużaczy. Przewód zasilania nie może dotykać rozgrzanych elementów ani ostrych krawędzi.
6. Urządzenia nie należy włączać ani wyłączać przez wciśnięcie lub wyciągnięcie wtyczki z gniazdka. Nie należy wyciągać wtyczki pociągając za kabel. Odłącz kabel chwytając za wtyczkę. Po użyciu należy wyłączyć urządzenie poprzez ustawienie pokrętła w pozycji OFF, następnie odłącz urządzenie od sieci elektrycznej i zamknij dopływ wody.
7. Nie stawiaj pralki na dywanach lub podobnych powierzchniach, które mogą zablokować otwory wentylacyjne w podstawie.
8. Nie wkładaj niczego do otworów urządzenia i nie kładź na urządzeniu żadnych przedmiotów (takich jak wazon, kubki itp.).
9. Nie umieszczaj węża odprowadzającego pralki w zlewie, wiadrze lub umywalce.
10. Nie należy pozwalać dzieciom na zabawę urządzeniem. Trzymaj dzieci i zwierzęta z dala od pralki. **Dzieci w wieku poniżej 3 lat nie powinny mieć dostępu do urządzenia, chyba że są pod stałym nadzorem.**
11. Małe części znajdujące się w torbie z dokumentacją należy przechowywać w miejscu niedostępnym dla dzieci.
12. Nie wystawiaj urządzenia na bezpośrednie działanie promieni słonecznych, nie używaj urządzenia na zewnątrz, ani nie wystawiaj je na deszcz.
13. Nie pozostawiaj łatwopalnych cieczy w pobliżu urządzenia.
14. Nie wolno prać w pralce przedmiotów, które były czyszczone, myte, namoczone lub poplamione substancjami łatwopalnymi lub wybuchowymi (wosk, olej, farba, benzyna, rozpuszczalniki chemiczne, nafta itp.). Stosowanie wysoce łatwopalnych i wybuchowych lub toksycznych rozpuszczalników jest zabronione. Nie używaj benzyny, alkoholu itp. jako detergentu. Mogłoby to spowodować pożar lub eksplozję. **Pranie dywanów jest zabronione.**

15. Nie dotykaj pralki mokrymi rękami, jeżeli jest włączona. Podczas prania i wirowania nie wolno otwierać szuflady na środki do prania lub drzwiczek pralki.
16. Nie dotykaj węża odprowadzającego i wylewanej wody podczas wypuszczania wody. Woda może osiągać wysokie temperatury podczas pracy urządzenia.
17. W przypadku jakiegokolwiek usterki należy najpierw odłączyć urządzenie od sieci, a następnie zakręcić zawór wody. Nie należy samodzielnie naprawiać urządzenia. Należy skontaktować się z autoryzowanym centrum serwisowym.
18. Przed pierwszym użyciem należy **USUNĄĆ ŚRUBY BLOKUJĄCE**, które zabezpieczają bęben pralki podczas transportu. Uszkodzenia spowodowane uruchomieniem pralki z zainstalowanymi śrubami blokującymi nie są objęte gwarancją.
19. Urządzenie jest przeznaczone wyłącznie do użytku domowego i wyłącznie do prania materiałów tekstylnych. W przypadku użytku komercyjnego lub użytkowania niezgodnego z niniejszą instrukcją, gwarancja traci ważność.
20. Niniejsza pralka przeznaczona jest wyłącznie do użytku wewnątrz pomieszczeń.
21. Nie wolno instalować urządzenia w mokrych lub wilgotnych pomieszczeniach oraz w pomieszczeniach z wybuchowymi lub żrącymi gazami.
22. Urządzenie może być użytkowane przez dzieci od 8 lat oraz osoby o ograniczonych zdolnościach psychofizycznych lub niewystarczającym doświadczeniu, jeżeli są pod nadzorem lub zostały przeszkolone w zakresie bezpiecznej obsługi urządzenia i mają świadomość ew. zagrożeń. Czyszczenie i konserwację można powierzyć dzieciom od 8 lat, ale tylko pod nadzorem. Dzieci do lat 8 powinny przebywać z daleka od urządzenia i przewodu zasilania.
23. Jakakolwiek ingerencja w urządzenie przez osobę inną niż upoważniony pracownik serwisu spowoduje utratę gwarancji.
24. Gwarancja nie obejmuje uszkodzeń spowodowanych przez wpływy zewnętrzne (powódź, środki chemiczne, pożar itp.).



## 25. Producent nie ponosi odpowiedzialności za szkody wynikające z niewłaściwego uziemienia/użytkowania. **NIEBEZPIECZNE NAPIĘCIE, RYZYKO OBRAŻEŃ!**

### **ZALECENIA**

- Przed rozpoczęciem użytkowania pralki należy zwrócić się do wykwalifikowanego instalatora lub autoryzowanego serwisu odnośnie pomocy w instalacji i uruchomieniu.
- Pralkę należy zainstalować w dobrze wentylowanym miejscu o wystarczającej cyrkulacji powietrza. Ustaw urządzenie tak, aby drzwiczki pralki mogły być całkowicie otwarte. Pralka nie jest przeznaczona do zabudowy i zestawów mebli.
- Idealna temperatura otoczenia dla pracy pralki to zakres od 15°C do 25°C.
- Zamarznięte węże mogą ulec zniszczeniu i pęknąć. W miejscach, w których temperatura spada poniżej zera, temperatura otoczenia może zagrozić działaniu obwodów elektronicznych.
- Zalecamy przeprowadzenie pierwszego cyklu prania bez prania w następujący sposób: program „90° biała bawełna”, wsypanie ½ miarki środka do prania do drugiej komory szuflady.
- Ponieważ długotrwały kontakt z powietrzem może powodować osadzanie się detergentu lub płynu do zmiękczenia tkanin, należy wlewać detergent i płyn do płukania do szuflady chwilę przed planowanym praniem.
- Program prania wstępnego zalecamy używać tylko w przypadku mocno zabrudzonego prania.
- Ilość prania załadowanego do pralki nie może przekraczać maksymalnej dopuszczalnej ilości. W przeciwnym razie pralka przełączy się w tryb awaryjny.
- Używaj pralki tylko do prania, które jest przeznaczone przez producenta jako odpowiednie do prania w pralce.
- Podczas korzystania ze środków zmiękczących tkaniny i podobnych produktów w pralce należy postępować zgodnie z zaleceniami producenta detergentu/środka zmiękczonego.
- Upewnij się, że w kieszeniach prania ładowanego do pralki nie ma żadnych obcych przedmiotów (gwoździ, igieł, monet, zapalniczek, zapalek, spinek itp.). Tego typu ciała obce mogą uszkodzić pralkę.
- Pranie mocno zabrudzonych ubrań powoduje uszkodzenie pralki. Silno zabrudzone ubrania należy roztrząpać przed włożeniem do pralki.
- Nie wolno otwierać dozownika na detergenty podczas pracy urządzenia.
- Nie wolno otwierać drzwi pralki siłą podczas pracy urządzenia.
- Przed otwarciem drzwi należy sprawdzić, czy w bębnie nie znajduje się woda. Jeżeli widać wodę, nie wolno otwierać drzwi pralki.
- Po zakończeniu programu odczekaj co najmniej 2 minuty, a następnie otwórz drzwi.
- Siarka zawarta w wybielaczach może powodować korozję. Z tego powodu nie wolno używać wybielaczy w pralce. Nie wolno używać w pralce środków zawierających rozpuszczalniki (np. benzyna techniczna).
- Jeżeli pralka nie będzie używana przez dłuższy czas, należy odłączyć ją od zasilania, zamknąć dopływ wody i pozostawić otwarte drzwi. Wnętrze pralki pozostanie suche i bezwonne.
- Po przetestowaniu pralki pod koniec procesu produkcyjnego w urządzeniu może pozostać niewielka ilość wody, która nie stanowi ryzyka uszkodzenia maszyny.

### **Ryzyko zalania**

- Użyj nowego zestawu węży dostarczonych z urządzeniem
- Nie używaj ponownie starego zestawu węży.
- Po użyciu należy zawsze odłączyć urządzenie od zasilania i zakręcić dopływ wody.
- Nie umieszczaj węża odprowadzającego pralki w zlewie, wiadrze lub umywalce.

### **Ryzyko upadku lub obrażeń**

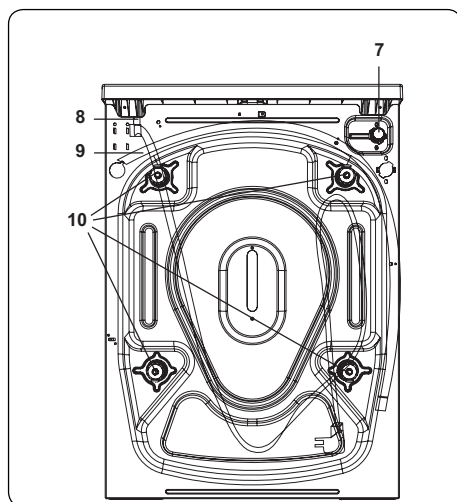
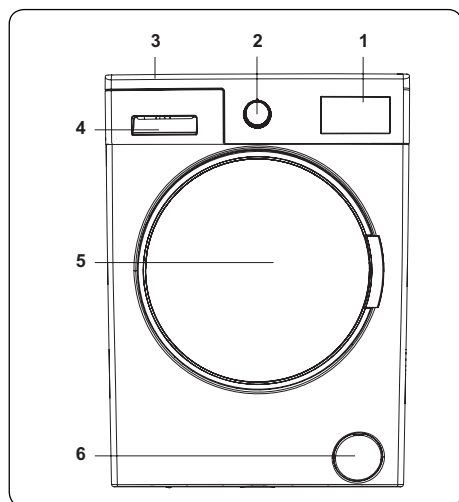
- Nie stawaj i nie siadaj na urządzeniu. Górna powierzchnia mogłaby się złamać, co może doprowadzić do obrażeń.

- Nie opieraj się o drzwi. Nie zamykaj ich na siłę. Jeżeli zamknięcie drzwi sprawia trudności, upewnij się, że w pralce nie ma zbyt wielu ubrań lub są one dobrze rozmieszczone.
- Po instalacji należy zabezpieczyć węże i przewód zasilający. Potknięcie i upadek mogą spowodować obrażenia.
- Nie obracaj pralki do góry nogami lub nie kładź jej na boku.
- Nie podnoś pralki za wystające części (dozownik na detergenty, drzwi). Mogłoby dojść do uszkodzenia lub obrażeń ciała.
- Przemieszczanie pralki wymaga współpracy co najmniej dwóch osób.

## Bezpieczeństwo dzieci

- Dzieci w wieku poniżej 3 lat nie powinny mieć dostępu do urządzenia, chyba że są pod stałym nadzorem. Nie należy pozostawiać dzieci bez nadzoru w pobliżu pralki. Dzieci mogą zamknąć się w pralce, co może doprowadzić do tragedii.
- Podczas pracy szklane drzwi i powierzchnia pralki mogą się bardzo nagrzewać. Trzymaj małe dzieci i zwierzęta z dala od tych powierzchni.
- Przechowuj materiały opakowaniowe poza zasięgiem dzieci. Istnieje ryzyko uduszenia
- Spożycie detergentów może powodować zatrucie, a kontakt ze skórą lub oczami może spowodować podrażnienie. Środki czyszczące należy trzymać z dala od dzieci.

## OPIS



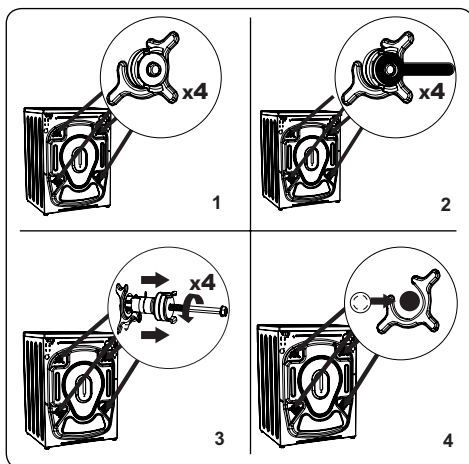
1. Wyświetlacz elektroniczny
2. Przełącznik programów
3. Pokrywa górna
4. Komora na proszek do prania
5. Bęben
6. Obudowa filtra pompy
7. Zawór wlotowy
8. Przewód zasilania
9. Wąż spustowy
10. Śruby transportowe

## INSTALACJA

### Usuwanie śrub transportowych

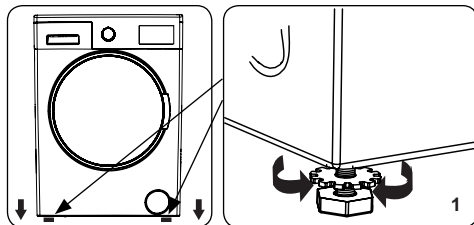
1. Przed uruchomieniem pralki należy usunąć 4 śruby transportowe i gumowe podkładki z tylnej części. Jeśli śruby nie zostaną wykręcone, mogą powodować silne wibracje, hałas i nieprawidłowe działanie pralki oraz spowodować utratę gwarancji.
2. Poluzuj śruby transportowe, obracając je w kierunku przeciwnym do ruchu wskazówek za pomocą odpowiedniego klucza.
3. Usuń śruby transportowe poprzez wyciągnięcie.
4. Włóż plastikowe zaślepki dostarczone wraz z akcesoriami do otworów pozostałych po usunięciu śrub transportowych. Śruby transportowe należy zachować do wykorzystania w przyszłości.

**Uwaga:** Przed pierwszym użyciem pralki należy usunąć śruby transportowe. Gwarancja nie obejmuje usterek spowodowanych przez eksploatację pralki z zamontowanymi śrubami transportowymi.



### Regulacja nóżek poziomujących / Ustawianie ograniczników

1. Nie instaluj pralki na powierzchni (np. dywanie), która uniemożliwia wentylację od dołu.
  - Aby zapewnić cichą i bezwibracyjną pracę, zainstaluj urządzenie na stabilnej powierzchni.
  - Pralkę można wypoziomować za pomocą nóżek poziomujących.
  - Poluzuj plastikową nakrętkę zabezpieczającą.
2. Aby zwiększyć wysokość pralki, obróć nóżki zgodnie z ruchem wskazówek zegara. Aby zmniejszyć wysokość pralki, obróć nóżki przeciwnie do ruchu wskazówek zegara.
- Gdy pralka znajduje się w pozycji poziomej, dokręć nakrętki zabezpieczające zgodnie z ruchem wskazówek zegara.
3. Nie poziomuj pralki kartonem, drewnem lub innymi podobnymi materiałami.
- Podczas zamiatania i mycia podłogi, na której stoi pralka, należy uważać, aby nie naruszyć poziomej pozycji pralki.



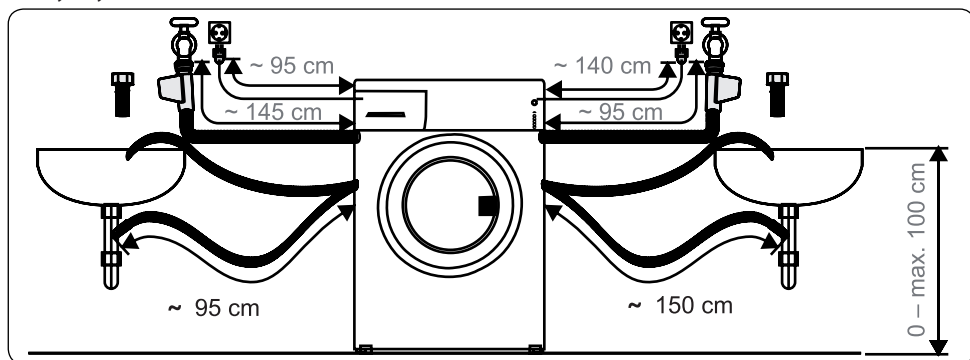
### Połączenie elektryczne

- Pralka wymaga zasilania sieciowego 220–240 V, 50 Hz.
- Przewód zasilający pralki jest wyposażony we wtyczkę z uziemieniem. Wtyczkę tę należy zawsze podłączać do uziemionego gniazdka 10 A.
- Jeśli nie masz odpowiedniego gniazdka i uziemionego bezpiecznika, skonsultuj się z wykwalifikowanym elektrykiem.
- Nie odpowiadamy za szkody wynikłe z podłączenia urządzenia do nieziemionego gniazdka.

**Uwaga:** Praca pralki przy niskim napięciu skraca żywotność urządzenia i zmniejsza wydajność.

## Wąż doprowadzający wodę

1. W zależności od specyfikacji pralki, pralka może być podłączona do źródła zimnej lub ciepłej wody. Wąż z białą nasadką należy podłączyć do źródła zimnej wody, a wąż z czerwoną nasadką do źródła ciepłej wody (jeżeli jest dostępne).
- Aby zapobiec wyciekaniu wody do złączy, 1 lub 2 nakrętki są dostarczane w zestawie z węzłem (w zależności od modelu pralki). Przymocuj te nakrętki do końca węża doprowadzającego, który łączy się z dopływem wody.
2. Podłącz nowe węże doprowadzające do zaworu wody z gwintem  $\frac{3}{4}$  ".
  - Podłącz białą końcówkę węża doprowadzającego do białego zaworu dopływowego z tyłu pralki, a czerwoną końcówkę węża do czerwonego zaworu dopływowego (jeżeli jest używany).
  - Dokręć połączenia ręcznie. W razie wątpliwości skonsultuj się z wykwalifikowanym hydraulikiem.
  - Przepływ wody o ciśnieniu 0,1 - 1 MPA pozwoli pralce pracować z optymalną wydajnością (ciśnienie 0,1 MPA oznacza, że przez całkowicie otwarty zawór przepływa ponad 8 litrów wody na minutę).
3. Po wykonaniu wszystkich połączeń włącz dopływ wody i dokładnie sprawdź, czy nie ma wycieków.
4. Upewnij się, że nowe węże doprowadzające wodę nie są ściśnięte, załamane, skręcone, pozginane lub zmięte.
- Jeśli pralka jest podłączona do źródła ciepłej wody, temperatura doprowadzanej ciepłej wody nie powinna być wyższa niż 70 °C.

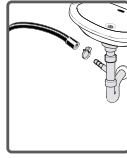


**Uwaga:** Pralkę należy podłączyć do źródła wody tylko za pomocą dostarczonego nowego węża doprowadzającego. Nie wolno ponownie używać starych węży.

## Podłączenie odpływu wody

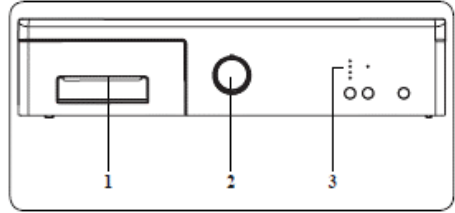
- Podłącz wąż odprowadzający do stojaka lub do kolanka wylotowego przy zlewie za pomocą dodatkowego sprzętu.
- Nigdy nie próbuj przedłużyć węża odprowadzającego.
- Nie wkładaj węża odprowadzającego wodę z pralki do pojemnika, wiadra lub wanny.
- Upewnij się, że wąż odpływowy nie jest zgięty, załamany, przygnieciony lub wydłużony.
- Wąż odprowadzający nie może znajdować się wyżej niż 100 cm od podłoża.





## PRZEGLĄD PANELU STEROWANIA

1. Komora na proszek do prania
2. Przełącznik programów
3. Wyświetlacz elektroniczny i funkcje dodatkowe



### Komora na proszek do prania

1. Komora na płynny detergent zapewnia jego równomierne dozowanie podczas prania.
2. Dozownik proszku do prania
3. Dozownik środka zmiękczającego
4. Dozownik proszku do prania wstępnego

### Komory

#### Dozownik proszku do prania:

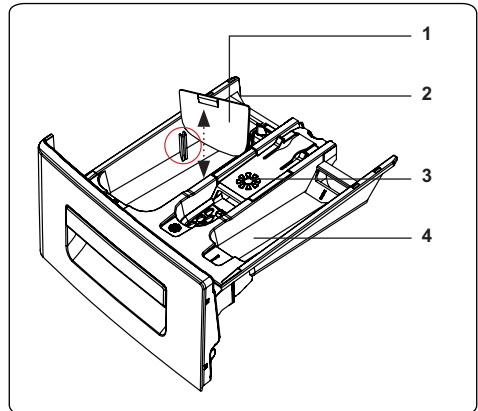
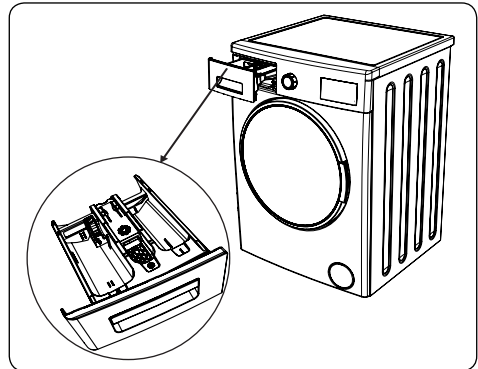
Ta komora jest przeznaczona dla detergentów w płynie lub w proszku lub środków do usuwania kamienia.

#### Płyn do płukania, skrobia, detergent:

Ta komora przeznaczona jest do emolientów, płynu do płukania lub skrobi. Postępuj zgodnie ze wskazówkami na opakowaniu. Jeżeli po użyciu środka zmiękczające pozostawiają ślady na praniu, spróbuj je rozcieńczyć lub użyć płynu do zmiękczenia tkanin.

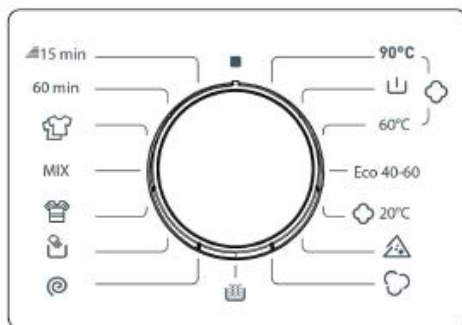
#### Dozownik detergentu do prania wstępnego:

Dozownik powinien być stosowany tylko w przypadku wybrania funkcji prania wstępnego. Zalecamy używanie funkcji prania wstępnego tylko w wypadku bardzo zabrudzonych ubrań.



## Przełącznik programów

- Aby wybrać żądany program, należy obracać pokrętło przełącznika programów zgodnie lub przeciwnie do ruchu wskazówek zegara, aż znacznik przełącznika programów wskaże wybrany program.
- Sprawdź, czy przełącznik programów wskazuje program, który chcesz wybrać.

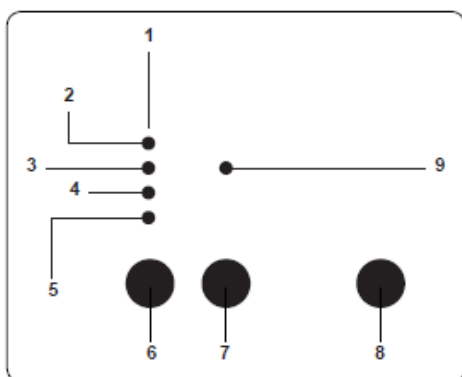


## Wyświetlacz elektroniczny

1. Panel z wyświetlaczem
2. Wskaźnik pracy (prania)
3. Wskaźnik płukania
4. Wskaźnik wirowania
5. Wskaźniki zakończenia programu
6. Wskaźnik dodatkowej funkcji opóźnionego startu
7. Przycisk dodatkowej funkcji szybkiego prania
8. Przycisk START/PAUZA
9. Wskaźnik dodatkowej funkcji – szybkie pranie

Na ekranie pojawi się odliczanie opóźnionego startu (jeżeli opóźniony start został ustawiony), temperatura, wszystkie wybrane funkcje dodatkowe oraz aktualna uruchomionego programu (pranie wstępne / pranie - płukanie - wirowanie).

Po zakończeniu wybranego programu na wyświetlaczu pojawi się komunikat END (KONIEC). Wyświetlacz pokazuje także, czy pralka nie uległa awarii.



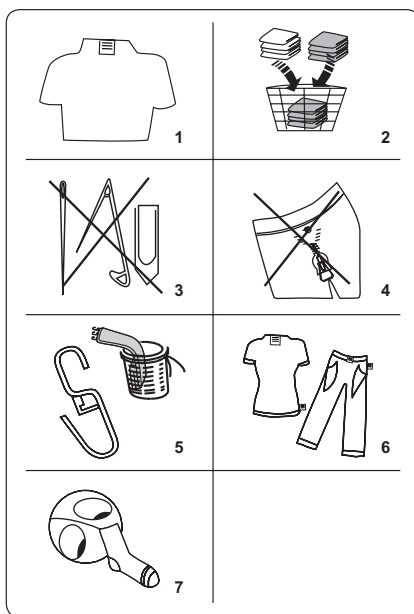
# UŻYTKOWANIE PRALKI

## Przygotowanie prania

- Postępuj zgodnie z instrukcjami na metkach na odzieży.
  - Podziel pranie według rodzaju (bawełna, syntetyki, delikatne, wełna itp.), temperatury prania (zimna woda, 30°, 40°, 60°, 90°) oraz stopnia zabrudzenia (lekkie zabrudzone, zabrudzone, mocno zabrudzone).
- Nigdy nie pierz razem rzeczy kolorowych i białych.
  - Ciemne tkaniny mogą zawierać nadmiar barwnika i należy je kilkakrotnie prać osobno.
- Upewnij się, że na praniu lub w kieszeniach nie ma żadnych metalowych przedmiotów; jeżeli są, usuń je.










**UWAGA:** Gwarancja nie obejmuje: uszkodzeń powstałych w wyniku uszkodzeń spowodowanych przez obce materiały.

- Zapnij zamki błyskawiczne, wszystkie haczyki i oczka.
- Usuń metalowe lub plastikowe haczyki z zasłon i firanek lub włóż je do siatki lub worka do prania.
- Obróć na drugą stronę tkaniny, takie jak spodnie, dzianiny, koszulki i bluzy.
- Skarpety, chustki i podobne drobne rzeczy należy prać w siatce ochronnej.



## Symbole pielęgnacji o odzież

<p>Normalne pranie</p>	<p>Maksymalna temperatura prania wynosi 90°C</p>	<p>Maksymalna temperatura prania wynosi 60°C</p>
<p>Maksymalna temperatura prania wynosi 30°C</p>	<p>Pranie ręczne</p>	<p>Zakaz prania</p>
<p>Można wybielać</p>	<p>Nie można wybielać</p>	<p>Temperatura prasowania wynosi maksymalnie 110°C</p>
<p>Temperatura prasowania wynosi maksymalnie 150°C</p>	<p>Temperatura prasowania wynosi maksymalnie 200°C</p>	<p>Nie prasować</p>

 Można czyścić chemicznie	 Zakaz czyszczenia chemicznego	 Rozłóż płasko
 Rozwieszaj mokre	 Suszyć przez rozwieszenie	 Nie suszyć w suszarce bębnowej
 Można czyścić benzyną, alkoholem i trifluorotrichloroetanem	 Można czyścić benzyną, perchloroetylenem	 Można czyścić perchloroetylenem, R11, R113 i benzyną

## Wkładanie rzeczy do pralki

- Otwórz drzwi pralki.
- Rozłóż pranie równomiernie w pralce.

**UWAGA:** Uważaj, aby nie przekroczyć maksymalnego załadunku bębna, ponieważ może to prowadzić do niezadowalających rezultatów i zbitcia prania. Informacje o pojemności pralki znajdują się w tabeli programów prania.

Poniższa tabela przedstawia przybliżoną wagę typowych rodzajów prania:

RODZAJ PRANIA	MASA (g)
Ręcznik	200
Pościel	500
Szlafrok	1 200
Koc	700
Poszewka na poduszkę	200
Bielizna	100
Obrus	250

- Włóż każdą sztukę prania oddzielnie.
- Sprawdź, czy między gumową uszczelką a drzwiami nie ma żadnych przedmiotów.
- Delikatnie pchnij drzwi, aby je zatrzasnąć.
- Upewnij się, że drzwi są całkowicie zamknięte, w przeciwnym wypadku program nie zostanie uruchomiony.

## Dodawanie detergentu do pralki

Ilość detergentu użytego w pralce zależy od następujących warunków:

- Jeśli pranie jest tylko lekko zabrudzone, nie należy stosować prania wstępnego. Umieść niewielką ilość detergentu (zgodnie z instrukcją producenta) w komorze II szuflady na detergenty.
- Jeżeli pranie jest zbyt brudne, wybierz program prania wstępnego i umieść ¼ detergentu do wykorzystania w komorze I szuflady na detergent, a resztę w komorze II.
- W pralce należy używać detergentów przeznaczonych do pralek automatycznych. Postępuj zgodnie z instrukcjami producenta dotyczącymi ilości używanego detergentu.
- W obniżonych temperaturach woda potrzebuje więcej detergentu.
- Wymagana ilość detergentu wzrasta wraz z większymi dawkami prania.
- Umieść środek zmiękczający w środkowej komorze. Nie przekraczaj linii MAX.
- Gęste środki zmiękczające mogą spowodować zatkanie szuflady, dlatego należy je rozcieńczyć.



- Płynne deterenty mogą być stosowane we wszystkich programach bez prania wstępnego. W takim przypadku należy włożyć wskaźnik poziomu płynnego detergentu do gniazd w komorze II szuflady na detergent. Kreski na wskaźniku poziomu służą jako wskazówki do napełniania komory dożądanego poziomu.

## Obsługa pralki

1. Podłącz pralkę do sieci elektrycznej.
  2. Podłącz dopływ wody.
- Otwórz drzwi pralki.
  - Rozłóż pranie równomiernie w pralce.
  - Delikatnie pchnij drzwi, aby je zatrzasać.

## Wybór programu

Skorzystaj z tabeli programów, aby dopasować odpowiedni program do prania.

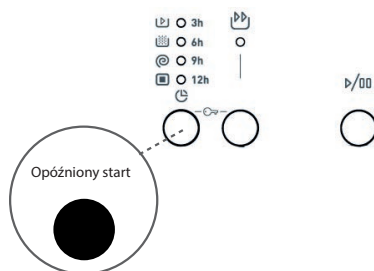
## System wykrywania połowy załadunku

Pralka posiada funkcję wykrywania połowy załadunku.

Jeśli włożysz mniej niż połowę maksymalnej ilości prania do pralki, automatycznie ustawi ona funkcję połowy załadunku niezależnie od wybranego programu. Oznacza to, że wykonanie wybranego programu zajmie mniej czasu i przez to zużyje się mniej wody i energii.

## Czasomierz opóźnionego startu

- Naciśnij raz przycisk opóźnionego startu.
- Zapali się kontrolka "3h".
- Naciskaj przycisk opóźnionego startu, aż zaświeci się lampka kontrolna z żądanym opóźnionym startem (3, 6, 9 lub 12 godzin).
- Jeśli żądany czas opóźnionego startu został pominięty, naciśnij przycisk opóźnionego startu, aż żądany czas zostanie ponownie wyświetlony.
- Aby aktywować wybrany czas opóźnienia, naciśnij dowolny dodatkowy przycisk funkcyjny (oprócz przycisku Start / Pauza).
- Użyj przycisku START/PAUZA, aby rozpocząć odliczanie opóźnionego startu.
- Aby anulować funkcję opóźnionego startu po jej ustawieniu, naciśnij raz przycisk Opóźnionego startu. Kontrolka opóźnionego startu zgaśnie.
- Aby włożyć / wyjąć pranie, gdy funkcja opóźnionego startu jest aktywna, naciśnij przycisk Start / Pauza. Po włożeniu / wyjęciu prania należy ponownie nacisnąć przycisk Start / Pauza, aby aktywować funkcję opóźnionego startu.



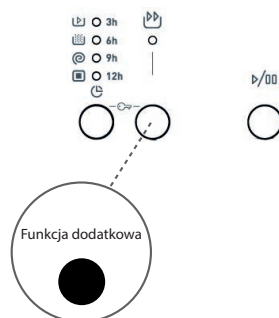
## Szybkie pranie: funkcja dodatkowa

Korzystając z tej funkcji można prac w krótszym czasie i zużywać mniej energii i wody.

Zalecamy używanie tej opcji tylko wtedy, gdy w bębnie znajduje się mniej niż połowa maksymalnego załadunku suchego prania dla wybranego programu.

Wybierz tę funkcję, naciskając przycisk Szybkie pranie. Zapali się wskaźnik szybkiego prania.

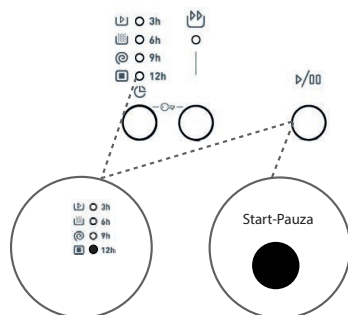
**UWAGA:** Jeśli włożysz mniej niż połowę maksymalnej ilości prania do pralki, automatycznie ustawi ona funkcję połowy załadunku niezależnie od wybranego programu. Oznacza to, że



wykonanie wybranego programu zajmie mniej czasu i przez to zużyje się mniej wody i energii. Jeżeli pralka wykryje połowę załadunku, na ekranie automatycznie pojawi się symbol szybkiego prania.

## Przycisk Start/Pauza

Aby uruchomić wybrany program, naciśnij przycisk Start / Pauza. Zapali się wskaźnik pracy (prania).



## Blokada rodzicielska

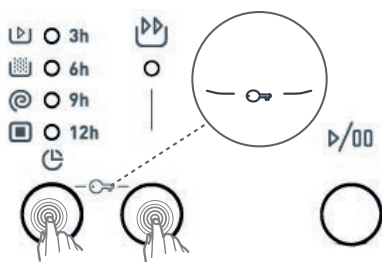
Funkcja blokady rodzicielskiej umożliwia zablokowanie przycisków, aby nie było można przycisków, aby nie można było przypadkowo zmienić wybranego cyklu prania.

Aby włączyć blokadę rodzicielską, naciśnij i przytrzymaj jednocześnie dodatkowe przyciski funkcyjne (patrz rysunek) przez co najmniej 3 sekundy. Gdy blokada rodzicielska jest aktywna, na panelu zaświeci się wskaźnik funkcji dodatkowej.

Po naciśnięciu dowolnego przycisku lub zmianie wybranego programu za pomocą przełącznika programów przy włączonej blokadzie rodzicielskiej, na wyświetlaczu zacnie migać wskaźnik funkcji dodatkowej.

Jeżeli pralka jest już w trakcie prania, blokada rodzicielska jest aktywna i próbujesz zmienić program poprzez obrócenie przełącznika programów do pozycji „0”, a następnie na żądany program, pralka będzie kontynuowała pranie bez zmian.

Aby wyłączyć blokadę rodzicielską, naciśnij i przytrzymaj jednocześnie przyciski dodatkowych funkcji przez co najmniej 3 sekundy.



## Anulowanie programu

**Wybrany program można w każdej chwili anulować:**

1. Ustaw przełącznik programów w pozycji „0”.
2. Pralka zatrzyma cykl prania, a program zostanie przerwany.
3. Ustaw przełącznik programów na jakikolwiek inny program, aby spuścić wodę z pralki.
4. Pralka wypompuje niezbędną wodę i przerwie program.


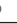

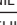

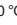

Możesz teraz wybrać i uruchomić nowy program.

## Koniec programu

Pralka zatrzyma się samoczynnie po zakończeniu wybranego programu.

- Na panelu zapali się kontrolka zakończenia programu.
- Możesz otworzyć drzwi pralki i wyjąć pranie.
- Pozostaw drzwiczki pralki otwarte, aby wewnątrz pralki wyschło.
- Ustaw przełącznik programów w pozycji „0”.
- Odłącz pralkę od sieci.
- Zamknij dopływ wody.

## TABELA PROGRAMÓW

Program	Temperatura (°C)	Maksymalna pojemność suchego prania (kg)	Komora	Długość (minuty)	Rodzaj prania / opis
BAWEŁNA 90°	90	5,0	2	176	Bardzo brudna bawełna i len. (Bielizna, prześcieradła, obrusy, ręczniki (maksymalnie 2,5 kg), pościel itp.)
Pranie wstępne – Bawełna	60	5,0	1+2	156	Bardzo brudna bawełna i tkaniny lniane. (Bielizna, prześcieradła, obrusy, ręczniki (maksymalnie 2,5 kg), pościel itp.)
BAWEŁNA 60 °C	60	5,0	2	190	Bardzo brudna bawełna i tkaniny lniane. (Bielizna, prześcieradła, obrusy, ręczniki (maksymalnie 2,5 kg), pościel itp.)
ECO 40-60	40	5,0	2	180	Bardzo brudna bawełna i tkaniny lniane. (Bielizna, prześcieradła, obrusy, ręczniki (maksymalnie 2,5 kg), pościel itp.)
BAWEŁNA 20 °C	20	2,5	2	96	Mniej zabrudzone tkaniny bawełniane i lniane. (Bielizna, prześcieradła, obrusy, ręczniki (maks. 2 kg), pościel itp.)
Syntetyki 	40	3,0	2	110	Bardzo brudne lub syntetyczne tkaniny. (Pończochy nylonowe, T-shirty, bluzki, mieszanki syntetyczne itp.)
WĘLNA 	30	2,0	2	39	Woolniane pranie z metką pozwalającą na pranie w pralce.
PLUKANIE 	--	5,0	--	36	Plukanie każdego rodzaju prania po praniu.
WYŻYMIANIE 	--	5,0	--	15	Wyżymanie wszelkiego rodzaju prania po praniu.
PRANIE DELIKATNE / RĘCZNE 	30	2,0	2	90	Pranie przeznaczone do prania ręcznego lub delikatnego.
KOLORY 40 °C 	40	3,0	2	180	Mniej zabrudzone tkaniny bawełniane i lniane. (Bielizna, prześcieradła, obrusy, ręczniki (maks. 2 kg), pościel itp.)
MIESZANKA MIX	30	3,0	2	81	Brudne tkaniny bawełniane, syntetyczne, kolorowe i lniane można prać razem.
BLUZKI / KOSZULE 	60	3,0	2	107	Brudną bawełnę, syntetyki i mieszanki syntetyczne, T-shirty i bluzki można prać razem.
SZYBKIE 60 min.	60	2,0	2	60	Brudne, bawełniane, kolorowe i lniane tkaniny prane w 60 °C przez 60 minut.
SZYBKIE 15 min.*	30	2,0	2	15	Lekko zabrudzona bawełna, tkaniny lniane i farbowane.

\* Ze względu na krótki czas prania tego programu zalecamy użycie mniejszej ilości detergentu. Jeżeli pralka wykryje nierównomierny załadunek, program może trwać dłużej niż 15 minut. Drzwiczki pralki można otworzyć 2 minuty po zakończeniu cyklu prania. (Ten dwuminutowy okres nie jest wliczony w czas trwania programu).

**UWAGA:** CZAS TRWANIA PROGRAMU MOŻE SIĘ ZMIEŃCĆ W ZALEŻNOŚCI OD ILOŚCI PRANIA, RODZAJU WODY, TEMPERATURY OTOCZENIA I WYBRANYCH FUNKCJI DODATKOWYCH.

- Jeżeli włożysz do pralki 2 kg prania lub mniej, pralka rozpocznie cykl automatyczny, który trwa 30 minut.
- Ze względu na krótki czas prania tego programu zalecamy użycie mniejszej ilości detergentu. Jeżeli pralka wykryje nierównomierny załadunek, program może trwać dłużej niż 15 minut. Drzwiczki pralki można otworzyć 2 minuty po zakończeniu cyklu prania. (Ten dwuminutowy okres nie jest wliczony w czas trwania programu).
- Zgodnie z rozporządzeniem 1015/2010 oraz 1061/2010 program nr 3 wraz z regulacją temperatury jest „Standardowym programem do bawełny w 60 °C” oraz „Standardowym programem do bawełny przy 40 °C”.
- Program Eco 40–60 jest w stanie w jednym cyklu wyprać normalnie zabrudzone ubrania bawełniane o zalecanej temperaturze prania 40 °C lub 60 °C. Program ten służy do oceny zgodności z przepisami UE dotyczącymi ekoprojektu.
- Najbardziej energooszczędne programy to zazwyczaj te programy, które piorą dłużej w niższych temperaturach.
- Napełnienie pralki dla gospodarstw domowych do pojemności określonej przez producenta dla odpowiednich programów przyczyni się do oszczędności energii i wody.

- Czas trwania programu, zużycie energii oraz wartości zużycia wody mogą się różnić w zależności od wagi i rodzaju załadunku, wybranych funkcji dodatkowych, rodzaju wody i temperatury otoczenia.
- Do programów prania w niskich temperaturach zaleca się stosowanie detergentu w płynie. Ilość detergentu zależy od ilości prania i stopnia zabrudzenia. Przestrzegaj zaleceń producenta detergentu dotyczących używanej ilości.
- Prędkość wirowania wpływa na hałas i wilgotność resztkową. Im wyższa prędkość wirowania w fazie wirowania, tym wyższy poziom hałasu i niższa zawartość wilgoci resztkowej.
- Dostęp do bazy danych produktów, w której przechowywane są informacje o modelu, można uzyskać poprzez odczytanie kodu QR na etykiecie energetycznej.

## Ważne informacje

- Używaj wyłącznie detergentów, zmiękczaczy i dodatków przeznaczonych do pralek automatycznych. Powstał nadmiar piany i został uruchomiony automatyczny system wchłaniania piany z powodu użycia zbyt dużej ilości detergentu.
- Zalecamy regularne czyszczenie pralki co 2 miesiące. Do regularnego czyszczenia pralki należy używać programu Drum Clean (czyszczenie bębna). Jeżeli pralka nie ma programu Czyszczenie bębna, użyj programu Cotton 90. W razie potrzeby używaj tylko odpowiednich środków do usuwania kamienia opracowanych specjalnie dla pralek.
- Nie wolno otwierać drzwiczek, gdy pralka pracuje. Drzwiczki pralki można otworzyć 2 minuty po zakończeniu cyklu prania.
- Prace instalacyjne i naprawcze muszą być zawsze wykonywane przez autoryzowanego przedstawiciela serwisu, aby uniknąć możliwych zagrożeń. Producent nie ponosi odpowiedzialności za szkody, które mogą powstać podczas czynności wykonywanych przez osoby nieuprawnione.

## CZYSZCZENIE I KONSERWACJA

### Ostrzeżenie

**Przed przystąpieniem do konserwacji i czyszczenia należy wyłączyć urządzenie i wyjąć wtyczkę z gniazdka. Odłącz dopływ wody przed rozpoczęciem konserwacji i czyszczeniem pralki.**

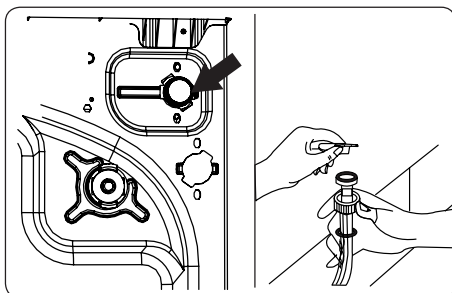
**Do czyszczenia pralki nie wolno używać rozpuszczalników, ściernych środków czyszczących, środków do czyszczenia szkła ani uniwersalnych środków czyszczących. Zawarte w nich chemikalia mogą uszkodzić plastikowe powierzchnie urządzenia i inne elementy.**

### Filtry wlotowe wody

Filtry wlotowe wody zapobiegają przedostawaniu się brudu i ciał obcych do pralki.

Zalecamy czyszczenie filtrów, gdy tylko do pralki nie wpływa wystarczająca ilość wody, mimo że dopływ wody jest włączony, a zawór jest otwarty. Zalecamy czyszczenie filtrów dopływu wody co 2 miesiące.

- Odkręć wąż doprowadzający (lub węże) od pralki.
- Aby wyjąć filtr dopływu wody z zaworu napełniającego, użyj długich szczypiec i ostrożnie zdejmij plastikowy pręt z filtra.
- Drugi filtr doprowadzający wodę znajduje się na końcu węża doprowadzającego, który jest doprowadzony do zaworu. Aby wyjąć drugi filtr doprowadzający wodę, użyj długich szczypiec i ostrożnie wyjmij plastikowy pręt z filtra.
- Dokładnie wyczyść filtr miękką szczoteczką, umyj wodą z mydłem i dokładnie wypłucz. Umieść ostrożnie filtr z powrotem na miejsce.



**UWAGA:** Filtry na zaworze dopływu wody mogą się zatkać z powodu złej jakości wody lub złej konserwacji i mogą ulec uszkodzeniu. Może to spowodować wyciek wody. Tego typu usterka nie jest objęta gwarancją.

## Filtr pompy

System filtracji pompy w pralce wydłuża żywotność pompy, zapobiegając przedostawaniu się brudu do pralki. Zalecamy czyszczenie filtra pompy co 2 miesiące. Filtr pompy znajduje się za osłoną w prawym dolnym przednim rogu.

Czyszczenie filtra pompy:

1. Otwórz pokrywę. Możesz użyć komory na płynny proszek (patrz rysunek).
2. Włóż końcówkę miarki detergentu lub miarki do detergentu w płynie do otworu w pokrywie i delikatnie przesunij ją do tyłu. Pokrywa zostanie otwarta.
3. Przed otwarciem umieść pojemnik pod pokrywą filtra, do którego wycieknie woda pozostała w pralce.
4. Zwolnij filtr, obracając go przeciwnie do ruchu wskazówek zegara, a następnie wyciągnij go. Poczekaj, aż woda spłynie.

**UWAGA:** W zależności od ilości wody w pralce może być konieczne kilkukrotne opróżnienie pojemnika na wodę.

5. Usuń wszystkie ciała obce z filtra za pomocą miękkiej szczotki.
6. Po wyczyszczeniu włóż filtr i obróć go w kierunku ruchu wskazówek zegara, aby go zamocować.
7. Zamykając pokrywę filtra, upewnij się, że wsporniki wewnątrz pokrywy pasują do otworów po stronie panelu przedniego.
8. Zamknij pokrywę filtra.

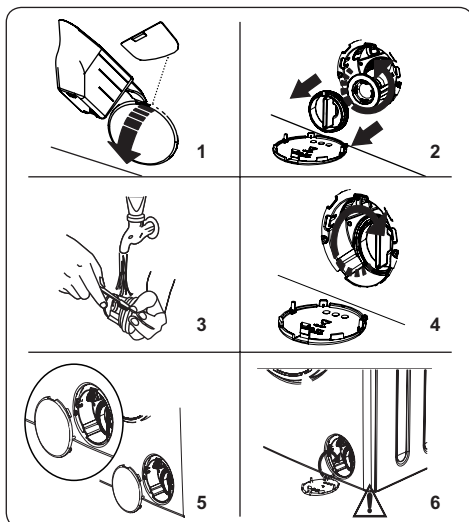
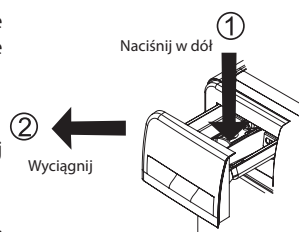
**UWAGA:** Woda w pompie może być gorąca, przed czyszczeniem lub konserwacją należy poczekać, aż ostygnie.

## Komora na proszek do prania

Użycie detergentu może doprowadzić do powstania osadów w szufladzie na detergent. Zalecamy wyjmowanie szuflady co 2 miesiące i usuwanie nagromadzonych pozostałości.

Wyjmowanie szuflady na detergent:

- Pociągnij szufladę do przodu tak, aby była całkowicie wysunięta.
- Ostrożnie popchnij szufladę (patrz rysunek poniżej) i wyciągnij szufladę.
- Wyczyść szufladę wodą i miękką szczoteczką.
- Jeżeli w szufladzie pozostały nieczystości, usuń je miękką szczoteczką. Upewnij się, że resztki brudu nie dostaną się do pralki.
- Dokładnie osusz szufladę i wsuń ją z powrotem.
- **Nie myj szuflady na detergent w zmywarce.**



## Korek do płukania / korpus / bęben

### 1. Korek do płukania

Wyjmij szufladę na detergent i korek do płukania. Dokładnie usuń wszystkie pozostałości emolientu. Po wyczyszczeniu załóż korek do płukania i sprawdź, czy jest prawidłowo osadzony.

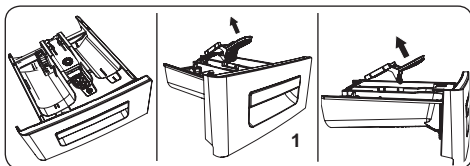
### 2. Korpus

Do czyszczenia obudowy zewnętrznej użyj łagodnego, nieściernego środka czyszczącego lub wody z mydłem.

Wytrzyj do sucha miękką ściereczką.

### 3. Bęben

Nie pozostawiaj w pralce metalowych przedmiotów, takich jak igły, spinacze biurowe, monety itp. Przedmioty te mogą prowadzić do powstawania rdzy na bębnie. Do czyszczenia rdzy należy użyć środka czyszczącego niezawierającego chloru i postępuj zgodnie z instrukcjami producenta detergentu. Nie używaj szczotki drucianej lub podobnych twardych przedmiotów do czyszczenia plam rdzy.



## ROZWIĄZYWANIE PROBLEMÓW

Pralka powinna być naprawiana przez autoryzowany serwis. Jeżeli pralka wymaga naprawy lub jeżeli nie można rozwiązać problemu zgodnie z poniższymi instrukcjami, sprawdź następujące kroki:

- Odłącz pralkę od zasilania.
- Zamknij dopływ wody.

BŁĄD	MOŻLIWA PRZYCZYNA	ROZWIĄZANIE PROBLEMU
Pralka się nie włącza.	Pralka nie jest podłączona do sieci elektrycznej.	Podłącz pralkę do sieci elektrycznej.
	Bezpieczniki są uszkodzone.	Wymień bezpieczniki.
	Brak zasilania sieciowego.	Sprawdź zasilanie sieciowe.
	Nie naciśnięto przycisku Start/Pauza.	Naciśnij przycisk Start/Pauza
	Pozycja przełącznika programów „stop”.	Ustaw przełącznik programów w żądanej pozycji.
	Drzwiczki pralki nie są całkowicie zamknięte.	Zamknij drzwi pralki.
Pralka nie napełnia się wodą.	Zawór wody jest zamknięty.	Otwórz zawór.
	Wąż doprowadzający wodę może być splątany.	Sprawdź wąż dopływowy i rozwiń go.
	Wąż doprowadzający wodę jest zatkany.	Wyczyść filtry węża doprowadzającego. (*)
	Filtr wlotowy jest zatkany.	Wyczyść filtry dopływu wody. (*)
	Drzwi pralki nie są całkowicie zamknięte.	Zamknij drzwi pralki.
Pralka nie wypuszcza wody.	Wąż odprowadzający jest zatkany lub skręcony.	Sprawdź wąż odprowadzający, a następnie wyczyść go lub rozwiń.
	Filtr pompy jest zatkany.	Wyczyść filtr pompy. (*)
	Pranie jest zbyt ściśnięte w bębnie.	Rozłóż pranie równomiernie w pralce.

BŁĄD	MOŻLIWA PRZYCZYNA	ROZWIĄZANIE PROBLEMU
Pralka wibruje.	Nóżki nie zostały wyregulowane.	Wyreguluj nóżki. (**)
	Śruby transportowe nie zostały usunięte.	Usuń śruby transportowe z pralki. (**)
	Mały załadunek w bębnie.	Nie przeszkadza to w działaniu pralki.
	Pralka jest przeładowana lub pranie jest nierównomiernie rozłożone.	Nie przeciążaj bębna. Rozłóż pranie równomiernie w bębnie.
	Pralka stoi na twardej powierzchni.	Nie umieszczaj pralki na twardej powierzchni.
W szufladzie na detergent powstaje nadmierna ilość piany.	Użyto nadmiernej ilości detergentu.	Naciśnij przycisk Start/Pauza, aby zatrzymać pienienie, rozcieńcz jedną łyżkę stołową środka zmiękczającego w 1/2 litra wody i wlej do szuflady na detergent. Naciśnij przycisk Start/Pauza po 5-10 minutach.
	Użyto nieodpowiedniego detergentu.	W pralce należy używać detergentów przeznaczonych do pralek automatycznych.
Niezadawalający efekt prania.	Pranie było zbyt brudne dla wybranego programu.	Skorzystaj z informacji zawartych w tabeli programów, aby wybrać odpowiedni program.
	Użyto zbyt małej ilości detergentu.	Użyj odpowiedniej ilości detergentu, zgodnie z instrukcją na opakowaniu.
	W pralce znajduje się zbyt duża ilość prania.	Sprawdź, czy maksymalna pojemność dla wybranego programu nie została przekroczona.
	Twarda woda.	Zwiększ ilość detergentu zgodnie z instrukcjami producenta.
	Pranie jest zbyt ściśnięte w bębnie.	Skontroluj, czy pranie jest równomiernie rozłożone w bębnie.
Gdy tylko pralka zostanie napełniona wodą, woda zostanie spuszczone.	Koniec węża odprowadzającego jest zbyt nisko w stosunku do pralki.	Sprawdź, czy wąż odprowadzający znajduje się na odpowiedniej wysokości. (**).
Podczas prania w bębnie nie pojawiła się woda.	Brak błędu. Woda znajduje się w niewidocznej części bębna.	-
Pozostałości środka piorącego pozostają na praniu.	Nierozpuszczalne cząsteczki niektórych detergentów mogą pojawić się na praniu jako białe plamy.	Po wysuszeniu należy ponownie przepłukać lub wyczyścić pranie szczotką.
Na praniu pojawiają się szare plamy.	Na praniu jest nieprzetworzony olej, śmietana lub maść.	Do następnego prania należy użyć odpowiedniej ilości detergentu zgodnie z instrukcją na opakowaniu.



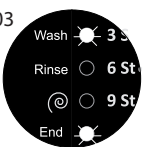
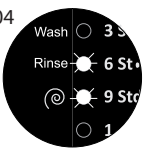
BŁĄD	MOŻLIWA PRZYCZYNA	ROZWIĄZANIE PROBLEMU
Cykl wirowania nie odbywa się lub odbywa się później niż oczekiwano.	Brak błędu. Został aktywowany system nierównoważonego obciążenia.	System kontroli nierównomiernego obciążenia będzie próbował równomiernie rozłożyć pranie w bębnie. Wirowanie rozpocznie się po rozłożeniu prania. Podczas następnego prania należy rozłożyć pranie w bębnie równomiernie.

(\*) Patrz rozdział dotyczący konserwacji i czyszczenia pralki.

(\*\*) Patrz rozdział dotyczący instalacji pralki.

## Kody błędów i ich rozwiązania

Pralka wyposażona jest we wbudowany system wykrywania usterek. Usterki są sygnalizowane kombinacją świecących się lampek kontrolnych. Poniżej znajdują się najczęstsze kody błędów.

KOD BŁĘDU	PRZYCZYNA	SPOSÓB NAPRAWY
E01 	Drzwi pralki nie są prawidłowo zamknięte.	Zamknij drzwi prawidłowo i dociśnij je, aż usłyszysz kliknięcie. Jeśli pralka nadal wykazuje usterkę, wyłącz pralkę, odłącz ją i natychmiast skontaktuj się z najbliższym autoryzowanym serwisem.
E02 	Niewystarczające ciśnienie wody lub niski poziom wody w pralce.	Upewnij się, że zawór jest całkowicie otwarty. Dopływ wody może być zakręcony. Jeżeli problem występuje nadal, pralka zatrzyma się automatycznie po pewnym czasie. Odłącz pralkę, zamknij zawór wody i skontaktuj się z najbliższym autoryzowanym serwisem.
E03 	Wadliwa pompa, zatkany filtr pompy lub wadliwe połączenie elektryczne pompy.	Wyczyść filtr pompy. Jeżeli problem nie ustępuje, skontaktuj się z najbliższym autoryzowanym centrum serwisowym. (*)
E04 	W pralce znajduje się zbyt duża ilość wody.	Pralka sama spuszcza wodę. Po spuszczeniu wody wyłącz pralkę i odłącz ją od sieci. Zamknij zawór i skontaktuj się z najbliższym autoryzowanym serwisem.

(\*) Patrz rozdział dotyczący konserwacji i czyszczenia pralki.



## DANE TECHNICZNE

	<b>EFW 1053 MD</b>
Sprzęt do zabudowy	Nie
Maksymalna pojemność załadunku (suche pranie) kg	5
Wymiary (WYS x SZ x Gł) [mm]	845 × 597 × 497
Napięcie znamionowe	220-240 V ~ 50 Hz
Pobór mocy	2100 W
Bezpiecznik	10 A
Ciśnienie wody (MPA) MIN/MAX	0,1, MPA/ 1, MPA

## LIKWIDACJA ODPADÓW

Papier pakowy i tektura falista – oddaj do recyklingu. Folia do pakowania, worki PE, części plastikowe – do pojemników do zbierania tworzyw sztucznych.

## LIKWIDACJA PRODUKTU PO SKOŃCZENIU OKRESU UŻYTKOWANIA

**Utylizacja zużytego sprzętu elektrycznego i elektronicznego (dotyczy krajów Unii Europejskiej oraz innych krajów europejskich, które wdrożyły system segregacji odpadów)**

Symbol na produkcie lub opakowaniu oznacza, że produkt nie powinien być traktowany jako odpad komunalny. Produkt należy przekazać do miejsca zajmującego się utylizacją sprzętu elektrycznego i elektronicznego. Prawidłowa utylizacja produktu chroni przed negatywnym wpływem na ludzi zdrowie i środowisko naturalne. Recykling materiałów pomaga w zachowaniu surowców naturalnych. Szczegółowe informacje o utylizacji produktu zapewni urząd gminy, organizacje zajmujące się utylizacją odpadów komunalnych lub punkt sprzedaży, w którym produkt został zakupiony.



08/05

Urządzenie spełnia wymagania dyrektyw UE dotyczących kompatybilności elektromagnetycznej i bezpieczeństwa elektrycznego. Niniejszy produkt spełnia wymagania dotyczące zawartości metali ciężkich w sprzęcie elektrycznym.



Instrukcja obsługi jest dostępna na stronie internetowej [www.ecg-electro.eu](http://www.ecg-electro.eu).

Zmiana tekstu i parametrów technicznych zastrzeżona.

Polski

## BEZPEČNOSTNÉ POKYNY

### Čítajte pozorne a uschovajte na budúcu potrebu!

**Varovanie:** Bezpečnostné opatrenia a pokyny uvedené v tomto návode nezahŕňajú všetky možné podmienky a situácie, ku ktorým môže dôjsť. Používateľ musí pochopiť, že faktorom, ktorý nie je možné zabudovať do žiadneho z výrobkov, je zdravý rozum, opatrnosť a starostlivosť. Tieto faktory teda musia byť zaistené používateľom/používateľmi používajúcimi a obsluhujúcimi toto zariadenie. Nezodpovedáme za škody spôsobené počas prepravy, nesprávnym používaním, kolísaním napätia alebo zmenou či úpravou akejkoľvek časti zariadenia.

Dodržujte pokyny nachádzajúce sa v tomto návode. Pred prvým použitím si celý písomný návod dôkladne preštudujte a uchovajte na ďalšiu potrebu.

Aby nedošlo k vzniku požiaru alebo k úrazu elektrickým prúdom, mali by sa pri používaní elektrických zariadení vždy dodržiavať základné opatrenia, vrátane týchto:

1. Uistite sa, že napätie vo vašej zásuvke zodpovedá napätiu uvedenému na štítku zariadenia. Na zaistenie svojej bezpečnosti vidlicu napájacieho vodiča vkladajte do riadne uzemnenej trojpólovej zásuvky inštalovanej podľa platnej elektrotechnickej normy STN v súlade s pokynmi výrobcu a miestnymi bezpečnostnými predpismi.
2. Nepoužívajte prístroj, ak je prívodný kábel poškodený. Zapojenie spotrebiča do elektrickej siete a pripojenie vody, všetky opravy alebo nastavenia vrátane výmeny napájacieho prívodu zverte autorizovanému servisu! Nedemontujte ochranné kryty zariadenia, hrozí nebezpečenstvo úrazu elektrickým prúdom!
3. Prívodný kábel nezapájajte a neodpájajte od zásuvky vlhkými rukami. Predídete tak riziku úrazu elektrickým prúdom.
4. Spotrebiča sa nedotýkajte vlhkými rukami alebo nohami.
5. Po inštalácii prístroja musí vidlica napájacieho prívodu zostať ľahko dostupná. Kábel neskracujte a nepoužívajte rozvodky alebo

predlžovacie šnúry. Napájací prívod sa nesmie dotýkať horúcich častí ani viesť cez ostré hrany.

6. Prístroj nezapínajte a nevypínajte zasunutím alebo vytiahnutím vidlice napájacieho prívodu. Vidlicu nevyťahujte zo zásuvky ťahaním za kábel. Kábel odpojte od zásuvky uchopením za vidlicu. Po ukončení používania vždy vypnite pomocou otočného voliča do polohy OFF, odpojte spotrebič od napájania a uzavrite prítok vody.
7. Práčku neumiestňujte na koberce a podobné povrchy, ktoré by mohli blokovať ventilačné otvory v základni.
8. Nikdy nič nezasúvajte do otvorov prístroja, na prístroj nekladte žiadne predmety (napr. vázy, hrnčeky a pod.).
9. Vypúšťaciu hadicu vašej práčky neumiestňujte do drezu, vedra alebo umývadla.
10. Nedovoľte deťom, aby sa so zariadením hrali. Chráňte prístup k práčke pred deťmi alebo zvieratami. **Deťom mladším ako 3 roky by sa malo zabrániť v prístupe, ak nie sú trvalo pod dozorom.**
11. Malé súčasti, ktoré nájdete vo vrecúšku s dokumentáciou, uložte mimo dosahu detí.
12. Zariadenie nevystavujte priamemu slnečnému žiareniu, nepoužívajte vonku a nevystavujte dažďu.
13. V blízkosti spotrebiča nenechávajte horľavé tekutiny.
14. Neperte v práčke veci, ktoré boli čistené, umyté, namáčané alebo zasiahnuté horľavými alebo výbušnými látkami (vosk, olej, farba, benzín, odmasťovače, chemické rozpúšťadlá, petroleje atď.). Je zakázané používanie ľahko zápalných a výbušných alebo toxických rozpúšťadiel. Nepoužívajte benzín, alkohol a i. ako pracie prostriedky. Mohlo by dôjsť k požiaru alebo výbuchu. **Pranie kobercov je zakázané.**
15. Nedotýkajte sa práčky vlhkými rukami, ak je spustená. Nikdy počas prania a odstredovania neotvárajte zásuvku na prací prostriedok alebo dvierka práčky.
16. Počas vypúšťania sa nedotýkajte vypúšťacej hadice a vypúšťanej vody. Voda môže pri prevádzke práčky dosiahnuť vysoké teploty.

17. V prípade akejkoľvek poruchy spotrebič najprv odpojte od napájania a potom zavrite vodovodný kohútik. Nepokúšajte sa spotrebič opraviť vlastnými silami, obráťte sa na autorizovaný servis.
18. Pred prvým použitím nezabudnite **ODSTRÁNIŤ ARETAČNÉ SKRUTKY** zaisťujúce bubon práčky počas prepravy. Na poškodenia spôsobené spustením práčky s inštalovanými aretačnými skrulkami sa záruka nevzťahuje.
19. Spotrebič je určený výhradne na domáce použitie a na pranie iba textilných materiálov. V prípade komerčného použitia alebo použitia, ktoré nie je v súlade s týmto manuálom, stráca záruka platnosť.
20. Táto práčka je určená výlučne na používanie vo vnútorných priestoroch.
21. Spotrebič neinštalujte v mokrých a vlhkých miestnostiach, takisto v miestnostiach, v ktorých sa vyskytujú výbušné alebo žieravé plyny.
22. Tento spotrebič môžu používať deti vo veku 8 rokov a staršie a osoby so zníženými fyzickými či mentálnymi schopnosťami alebo nedostatkom skúseností a znalostí, ak sú pod dozorom alebo boli poučené o používaní spotrebiča bezpečným spôsobom a rozumejú prípadným nebezpečenstvám. Čistenie a údržbu vykonávanú používateľom nesmú vykonávať deti, ak nie sú staršie ako 8 rokov a pod dozorom. Deti mladšie ako 8 rokov sa musia držať mimo dosahu spotrebiča a jeho prívodu.
23. Akýkoľvek zásah do spotrebiča inou osobou než pracovníkom autorizovaného servisu má za následok stratu záruky.
24. Záruka sa nevzťahuje na poškodenia spôsobené vonkajšími vplyvmi (povodeň, chemikálie, požiar a pod.).
25. Výrobca nenesie žiadnu zodpovednosť za škody vzniknuté nesprávnym uzemnením/použitím. **NEBEZPEČNÉ NAPÄTIE, RIZIKO ÚRAZU!**

## ODPORÚČANIE

- Skôr ako začnete svoju novú automatickú práčku používať, požiadajte o pomoc s inštaláciou a uvedením do prevádzky kvalifikovaného inštalátora alebo autorizovaný servis.

- Práčku inštalujte na dobre vetrané miesto s dostatočnou cirkuláciou vzduchu. Spotrebič umiestnite tak, aby bolo možné dvierka práčky kompletne otvoriť. Práčka nie je určená na vstavanie a do nábytkových zostáv.
- Ideálna okolitá teplota na prevádzku práčky je 15 až 25 °C.
- Zmrznuté hadice môžu spráchnivieť a prasknúť. V oblastiach, kde teplota klesá pod bod mrazu, môže okolitá teplota ohroziť bezpečnú prevádzku elektronických obvodov.
- Prvý prací cyklus odporúčame absolvovať bez bielizne s programom „90° biela bavlna“ tak, že do zásuvky pracieho prostriedku nasypete do druhej priehradky ½ odmerky pracieho prostriedku.
- Keďže pri dlhodobom kontakte so vzduchom môže dochádzať k usadzovaniu pracieho prášku alebo aviváže, dávajte do zásuvky prací prostriedok a aviváž až tesne pred zamýšľaným práním.
- Program s predpiekou odporúčame používať iba pre silne znečistenú bielizeň.
- Množstvo bielizne vlozenej do práčky nesmie prekročiť maximálne povolené množstvo. V opačnom prípade pobeží práčka v núdzovom režime.
- Práčku používajte iba pre bielizeň, ktorá je výrobcom označená ako vhodná na pranie v práčke.
- Pri používaní aviváže a podobných prípravkov vo vašej práčke dodržujte odporúčania výrobcu pracieho prášku/aviváže.
- Uistite sa, že sa vo vreckách bielizne vkladanej do práčky nenachádzajú cudzie predmety (klince, ihly, mince, zapaľovače, zápalky, sponky a podobne). Tieto cudzie predmety by mohli práčku poškodiť.
- Pranie silne zaprášených odevov poškodzuje vašu práčku. Silne zaprášené odevy pred vložením do práčky vyprášte.
- Nikdy neotvárajte zásuvku pracieho prostriedku za chodu spotrebiča.
- Za chodu nikdy neotvárajte násilím dvierka práčky.
- Pred otvorením dvierok skontrolujte, či v apríli nezostala voda. Ak je vidieť vodu, dvierka práčky neotvárajte.
- Po ukončení programu vyčkajte aspoň 2 minúty a potom dvierka otvorte.
- Sira obsiahnutá v odfarbovačoch môže spôsobovať koróziu. Z tohto dôvodu v práčke nikdy nepoužívajte odfarbovače. V práčke nikdy nepoužívajte látky obsahujúce rozpúšťadlá (napr. technický benzín).
- Ak nebudete práčku dlhší čas používať, odpojte ju od siete, zavrite prívod vody a nechajte dvierka otvorené. Vnútrotný priestor práčky tak zostane suchý a bez nežiaduceho zápachu.
- Po testovaní na konci výrobného procesu mohlo v práčke zostať malé množstvo vody, ktoré však nepredstavuje riziko poškodenia vašej práčky.

## Nebezpečenstvo pretečenia

- Používajte nový komplet hadíc dodávaný spolu so spotrebičom
- Nepoužívajte opakovane starý komplet hadíc.
- Po ukončení používania vždy odpojte spotrebič od napájania a uzavrite prítok vody.
- Vypúšťaciu hadicu vašej práčky neumiestňujte do drezu, vedra alebo umývadla.

## Nebezpečenstvo pádu alebo úrazu

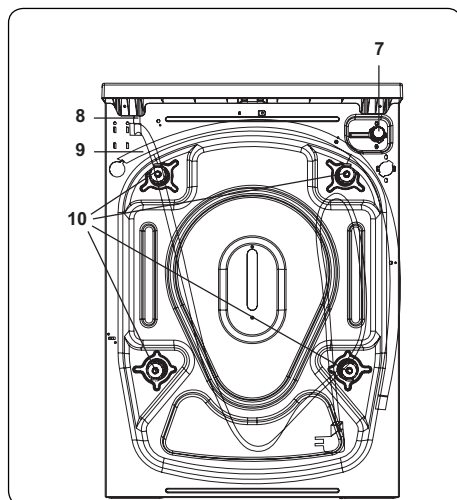
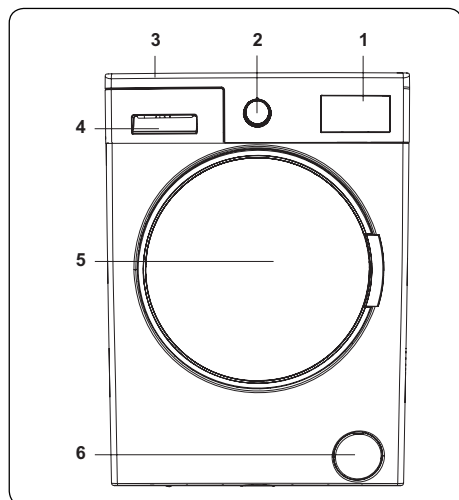
- Na práčku nestúpajte ani nesadajte. Vrchná doska by mohla prasknúť a mohli by ste sa zranití.
- Neopierajte sa o dvierka. Nezavádzajte ich násilím. Ak je zatváranie dvierok ťažké, skontrolujte, či sa v práčke nenachádza príliš mnoho odevov, alebo či sú dobre rozmiestnené.
- Po inštalácii usporiadajte bezpečne hadice a prírodnú šnúru. Zakopnutie a pád môžu byť príčinou úrazu.
- Práčku neobracajte hore nohami alebo na bok.
- Práčku nezdvíhajte za vyčnievajúce časti (zásuvka pracieho prostriedku, dvierka). Mohlo by dôjsť k ich poškodeniu a úrazu.
- Manipulácia s práčkou vyžaduje súčinnosť aspoň dvoch osôb.

## Bezpečnosť detí

- Detom mladším ako 3 roky by sa malo zabrániť v prístupe, ak nie sú trvalo pod dozorom. Nenechávajte deti bez dozoru v blízkosti práčky. Deti by sa mohli uzavrieť vnútri práčky s fatálnymi následkami.
- Počas prevádzky môžu byť sklenené dvierka a povrchy práčky veľmi horúce. Chráňte malé deti a zvieratá pred dotykom s týmito povrchmi.
- Obalové materiály uložte mimo dosahu detí. Hrozí riziko udusenia

- Požitie pracích prostriedkov môže spôsobiť otravu a kontakt s pokožkou alebo očami môže spôsobiť podráždenie. Čistiace prostriedky držte mimo dosahu detí.

## POPIS

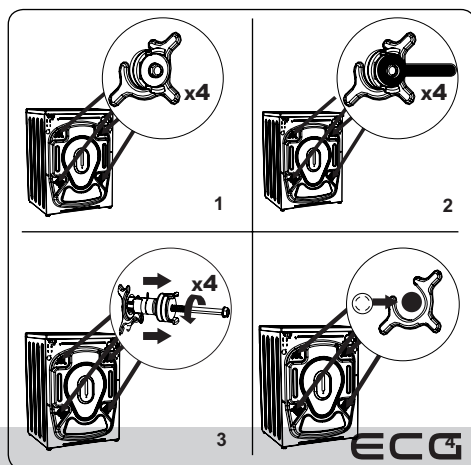


1. Elektronický displej
2. Volič programov
3. Horný kryt
4. Priehradka na prací prášok
5. Bubon
6. Kryt filtra čerpadla
7. Napúšťací ventil
8. Napájací kábel
9. Vypúšťacia hadica
10. Prepravné skrutky

## INŠTALÁCIA

### Odstránenie prepravných skrutiek

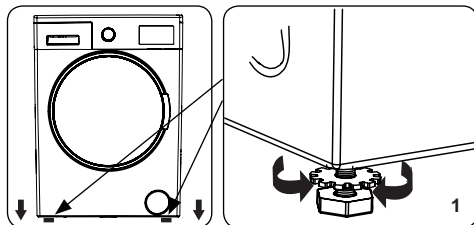
1. Skôr ako práčku uvediete do prevádzky, odstráňte z jej zadnej časti 4 prepravné skrutky a gumové podložky. Ak skrutky nebudú odstránené, môžu spôsobiť silné vibrácie, hluk a nesprávnu funkciu práčky a viesť k strate záruky.
2. Povoľte prepravné skrutky otočením proti smeru hodinových ručičiek pomocou vhodného kľúča.
3. Vyberte prepravné skrutky priamym vytiahnutím.
4. Vložte plastové záslepky dodané vo vrecúšku s príslušenstvom do otvorov, ktoré zostali po odstránení prepravných skrutiek. Prepravné skrutky by mali byť uschované na budúce použitie.



**Poznámka:** Pred prvým použitím práčky odstráňte prepravné skrutky. Na poruchy vzniknuté v dôsledku prevádzky práčky s namontovanými prepravnými skrutkami sa záruka nevzťahuje.

## Nastavenie vyrovnávacích nôžok/nastavenie nastaviteľných zarážok

1. Neinštalujte práčku na povrch (napr. koberec), ktorý by bránil vetraniu zospodu.
  - Aby ste zaistili tichú prevádzku bez vibrácií, nainštalujte ju na pevný povrch.
  - Práčku môžete vyrovnávať pomocou nastaviteľných nôžok.
  - Povoľte plastovú poistnú maticu.
2. Ak chcete zvýšiť výšku práčky, otočte nôžky v smere hodinových ručičiek. Ak chcete znížiť výšku práčky, otočte nôžky proti smeru hodinových ručičiek.
  - Hneď ako je práčka vo vodorovnej polohe, utiahnite poistné matice otočením v smere hodinových ručičiek.
3. Nikdy nepodkladajte práčku lepenkou, drevom ani inými podobnými materiálmi.
  - Pri zametaní a umývaní podlahy, na ktorej je práčka umiestnená, dávajte pozor, aby nedošlo k narušeniu vodorovnej polohy práčky.



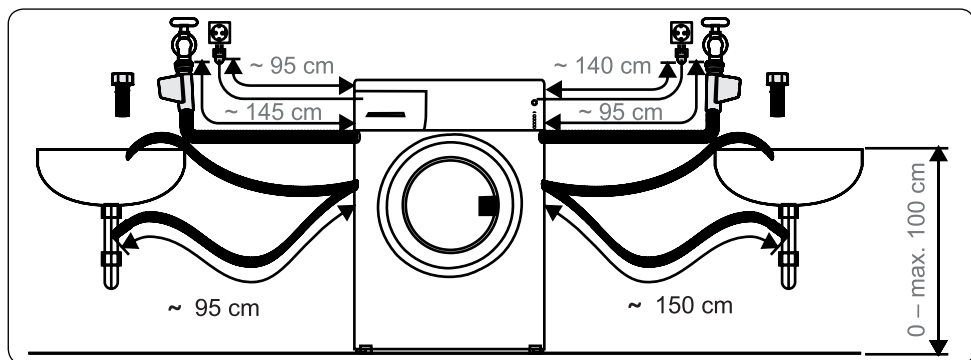
## Elektrické zapojenie

- Práčka vyžaduje sieťové napájanie 220 – 240 V, 50 Hz.
- Napájací kábel vašej práčky je vybavený uzemnenou zástrčkou. Táto zástrčka by mala byť vždy zasunutá do uzemnenej zásuvky 10 A.
- Ak nemáte vhodnú zásuvku a uzemnenú poistku, obráťte sa na kvalifikovaného elektrikára.
- Nezodpovedáme za škody, ktoré vzniknú v dôsledku pripojenia spotrebiča k neuzemnenej zásuvke.

**Poznámka:** Prevádzka práčky pri nízkom napätí vedie ku skráteniu životnosti a obmedzeniu výkonu.

## Hadica na prívod vody

1. V závislosti od špecifikácií práčky môže byť vaša práčka pripojená k prívodu studenej vody alebo k prívodu studenej a teplej vody. Hadica s bielym uzáverom by mala byť pripojená k prívodu studenej vody a hadica s červeným uzáverom k prívodu horúcej vody (ak je k dispozícii).
  - Aby nedochádzalo k úniku vody do spojov, sa v balení s hadicou dodáva 1 alebo 2 matice (v závislosti od modelu vašej práčky). Tieto matice nasadte na koniec prívodnej hadice, ktorá sa pripája k prívodu vody.
2. Pripojte nové prívodné hadice k vodovodnému kohútiku so závitom  $\frac{3}{4}$ ".
  - Pripojte biely koniec prívodnej hadice k bielemu prívodnému ventilu na zadnej strane práčky a červený koniec hadice k červenému prívodnému ventilu (ak je použitý).
  - Ručne utiahnite spoje. V prípade pochybností sa obráťte na kvalifikovaného inštalátora.
  - Prietok vody s tlakom 0,1 – 1, MPA umožní vašej práčke pracovať s optimálnou účinnosťou (tlak 0,1, MPA znamená, že cez plne otvorený kohútik pretečie viac než 8 litrov vody za minútu).
3. Hneď ako vykonáte všetky pripojenia, zapnite prívod vody a starostlivo skontrolujte tesnosť.
4. Zaisťte, aby nové hadice na prívod vody neboli priškripanuté, zalomené, skrútené, prehnuté alebo postláčané.
  - Ak je vaša práčka pripojená k prívodu horúcej vody, nemala by byť teplota prívodu horúcej vody vyššia než 70 °C.



**Poznámka:** Práčka musí byť pripojená k prívodu vody iba pomocou dodanej novej prírodnej hadice. Staré hadice sa nesmú znovu použiť.

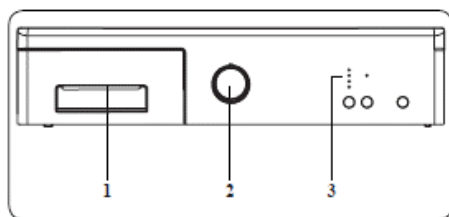
### Zapojenie odtoku vody

- Pripojte odtokovú hadicu k stojanu alebo k výstupnému kolenu pri umývadle pomocou ďalšieho vybavenia.
- Nikdy sa nepokúšajte vypúšťaciu hadicu predĺžiť.
- Hadicu na vypúšťanie vody z práčky nekladajte do nádoby, vedra ani vane.
- Uistite sa, že hadica na vypúšťanie vody nie je ohnutá, prehnutá, stlačená ani predĺžená.
- Vypúšťacia hadica sa smie nachádzať najviac 100 cm od zeme.



### PREHĽAD OVLÁDACIEHO PANELU

1. Priehradka na prací prášok
2. Volič programov
3. Elektronický displej a doplnkové funkcie





## Priehradka na prací prášok

1. Priehradka na tekutý prací prostriedok zaistí jeho rovnomerné dávkovanie počas prania.
2. Zásobník na prací prášok
3. Zásobník na aviváž
4. Zásobník na prací prášok na predpierku

## Oddiely

### Zásobník na prací prášok:

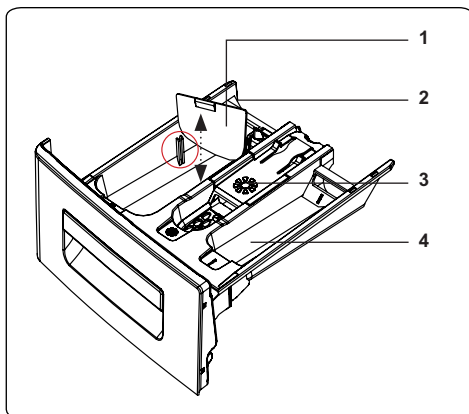
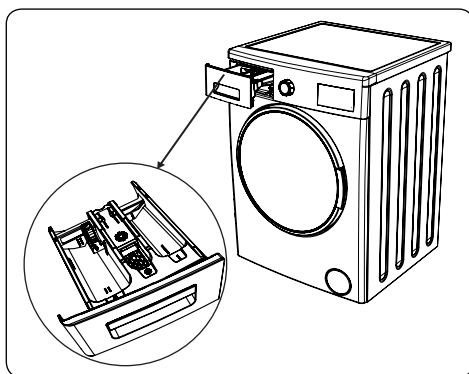
Tento oddiel je určený na tekuté alebo práškové prací prostriedky alebo odstraňovač vodného kameňa.

### Aviváž, škrob, prací prostriedok:

Tento oddiel je určený pre zmäkčovadlá, aviváže alebo škrob. Postupujte podľa pokynov na obale. Ak zmäkčovadlá po použití zanechajú na bielizni stopy, skúste ich zriediť alebo použiť tekuté zmäkčovadlo.

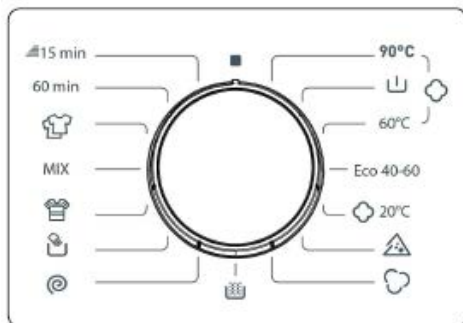
### Zásobník na prací prostriedok na predpierku:

Tento zásobník by ste mali používať, iba ak ste vybrali funkciu predpierky. Odporúčame používať funkciu predpierky iba pre veľmi špinavú bielizeň.



## Volič programov

- Pre výber požadovaného programu otáčajte voličom programov v smere alebo proti smeru hodinových ručičiek, kým značka na voliči programov neukáže na vybraný program.
- Skontrolujte, či je volič programov presne na programe, ktorý chcete vybrať.

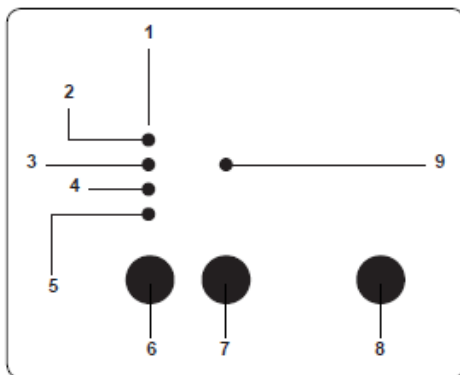


## Elektronický displej

1. Panel s displejom
2. Indikátor prevádzky (pranie)
3. Indikátor pláchania
4. Indikátor žmýkania
5. Indikátor dokončenia programu
6. Tlačidlo doplnkovej funkcie odloženého štartu
7. Tlačidlo doplnkovej funkcie – rýchle pranie
8. Tlačidlo ŠTART/PAUZA
9. Kontrolka doplnkovej funkcie – rýchle pranie

Na displeji sa zobrazí časovač odloženého štartu (ak je nastavený), teplota, všetky doplnkové funkcie, ktoré ste vybrali, a aktuálna fáza spusteného programu (predpierka/pranie – plákanie – žmýkanie).

Po dokončení vybraného programu sa na displeji zobrazí END (KONIEC). Displej tiež ukazuje, či došlo k poruche práčky.



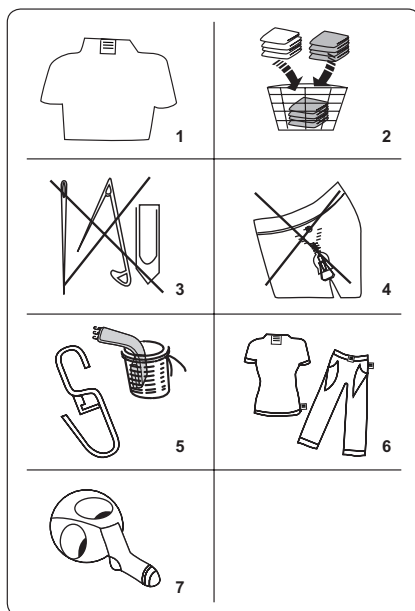
## POUŽITIE PRAČKY

### Príprava bielizne

1. Postupujte podľa pokynov uvedených na štítkoch na odevu.
- Rozdeľte bielizeň podľa typu (bavlna, syntetika, jemné, vlna atď.), teploty prania (studená, 30°, 40°, 60°, 90°) a miery znečistenia (mierne znečistená, znečistená, silne znečistená).
2. Nikdy neperte farebnú a bielu bielizeň dohromady.
- Tmavé látky môžu obsahovať prebytočné farbivo a mali by ste ich niekoľkokrát vyprať samostatne.
3. Uistite sa, že na bielizni alebo vo vreckách nie sú kovové predmety; ak áno, odstráňte ich.

**POZOR:** Záruka sa nevzťahuje na poruchy, ku ktorým dôjde v dôsledku poškodenia cudzím materiálom.

4. Zapnite zipsy, všetky háčiky a očká.
5. Odstráňte kovové alebo plastové háčiky záclon alebo ich vložte do práce sieťky alebo vrecúška.
6. Obráťte naruby textilie, ako sú nohavice, úplety, trička a mikiny.
7. Ponožky, vreckovky a inú drobnú bielizeň perte v ochrannej sieťke.



## Symbols starostlivosti o odevy

 Normálne pranie	 Maximálna teplota prania je 90 °C	 Maximálna teplota prania je 60 °C
 Maximálna teplota prania je 30 °C	 Ručné pranie	 Zákaz prania
 Je možné bieliť	 Nebieliť	 Teplota žehlenia je maximálne 110 °C
 Teplota žehlenia je maximálne 150 °C	 Teplota žehlenia je maximálne 200 °C	 Nežehliť
 Je možné chemicky čistiť	 Zákaz chemického čistenia	 Rozložte na plocho
 Povesiť za mokra	 Sušiť zavesením	 Nesušiť v bubnovej sušičke
 Je možné čistiť benzínom, alkoholom, a trifluórtrichlóretánom	 Je možné čistiť benzínom, perchlóretylénom	 Je možné čistiť perchlóretylénom, R11, R113 a benzínom

## Vloženie bielizne do práčky

- Otvorte dvierka práčky.
- Rozložte bielizeň rovnomerne do práčky.

**POZNÁMKA:** Dávajte pozor, aby ste neprekročili maximálnu náplň bubna, pretože by to viedlo k zlým výsledkom prania a k pokrčeniu bielizne. Informácie o kapacite práčky nájdete v tabuľke pracích programov.

Nasledujúca tabuľka ukazuje približnú hmotnosť bežných typov bielizne:

TYP BIELIZNE	HMOTNOSŤ (g)
Uterák	200
Postelňa bielizeň	500
Župan	1 200
Prikrývka	700
Poťah na vankúš	200
Spodná bielizeň	100
Obrus	250

- Vložte každý kus bielizne zvlášť.
- Skontrolujte, či sa medzi gumovým tesnením a dvierkami nezachytili žiadne predmety.
- Jemne zatlačte na dvierka, kým nezaklapnú.
- Uistite sa, že sú dvierka celkom zatvorené, inak sa program nespustí.

## Pridanie pracieho prostriedku do práčky

Množstvo pracieho prostriedku použitého v práčke závisí od nasledujúcich kritérií:

- Ak je bielizeň len mierne zašpinená, nepredpierajte ju. Vložte malé množstvo pracieho prostriedku (podľa údajov výrobcu) do oddielu II zásuvky na pracie prostriedky.
- Ak je bielizeň príliš znečistená, vyberte program s predpierkou a vložte ¼ pracieho prostriedku, ktorý sa má použiť, do oddielu I zásuvky na prací prostriedok a zvyšok do oddielu II.
- V práčke používajte pracie prostriedky určené pre automatické práčky. Riadte sa pokynmi výrobcu týkajúcimi sa množstva pracieho prostriedku, ktoré sa má použiť.
- V oblastiach s tvrdou vodou je potrebné viac pracieho prostriedku.
- Množstvo potrebného pracieho prostriedku sa zvyšuje s väčšími dávkami bielizne.
- Do prostredného priestoru zásuvky na prací prostriedok vložte zmäčkovadlo. Neprekračujte rysku MAX.
- Husté zmäčkovadlá môžu spôsobiť upchanie zásuvky a mali by sa zriadiť.
- Tekuté pracie prostriedky je možné použiť vo všetkých programoch bez predpierky. V takom prípade zasuňte mierku hladiny tekutého pracieho prostriedku do zdierok v oddiele II zásuvky na prací prostriedok. Čiarok na mierke použite ako vodidlo na naplnenie zásuvky na požadovanú úroveň.

## Obsluha práčky

1. Zapojte práčku do elektrickej siete.
  2. Zapnite prívod vody.
- Otvorte dvierka práčky.
  - Rozložte bielizeň rovnomerne do práčky.
  - Jemne zatlačte na dvierka, kým nezaklapnú.

## Výber programu

Použite tabuľku programov a vyberte najvhodnejší program pre vašu bielizeň.

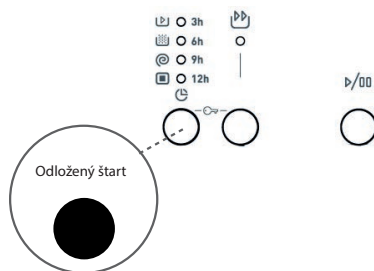
## System detekcie polovičnej náplne

Vaša práčka má funkciu detekcie polovičnej náplne.

Ak do práčky vložíte menej než polovicu maximálneho množstva bielizne, automaticky nastaví funkciu polovičnej náplne bez ohľadu na vybraný program. To znamená, že dokončenie vybraného programu zaberie menej času a spotrebuje sa menej vody a energie.

## Časovač odloženého štartu

- Raz stlačte tlačidlo odloženého štartu.
- Rozsvieti sa kontrolka „3h“.
- Opakovane stlačte tlačidlo Odložený štart, kým sa nerozsvieti kontrolka s požadovaným nastavením odloženého štartu (3, 6, 9 alebo 12 hodín).
- Ak ste preskočili čas odloženého štartu, ktorý chcete nastaviť, pokračujte stlačením tlačidla „Odložený štart“, kým sa znovu nezobrazí požadovaný čas.
- Vybraný čas odloženia aktivujete stlačením ľubovoľného tlačidla prídavnej funkcie (okrem tlačidla Štart/Pauza).
- Na spustenie odpočtu odloženého štartu použite tlačidlo ŠTART/PAUZA.
- Ak chcete funkciu odloženého štartu zrušiť po tom, čo ste ju nastavili, stlačte raz tlačidlo Odložený štart. Kontrolka odloženého štartu zhasne.



- Ak chcete pridať/odobrať bielizeň, keď je aktívna funkcia odloženého štartu, musíte stlačiť tlačidlo Štart/Pauza. Po pridaní/odobraní bielizne musíte znovu stlačiť tlačidlo Štart/Pauza, aby ste funkciu odloženého štartu aktivovali.

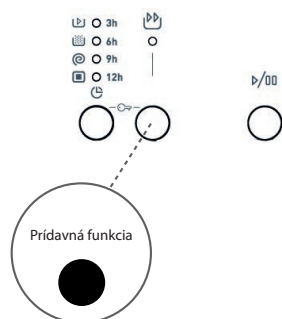
## Rýchle pranie: doplnková funkcia

Použitím tejto funkcie môžete bielizeň vyprať za kratší čas a spotrebovať tak menej energie a vody.

Túto možnosť odporúčame použiť iba v prípade, že pre vybraný program periete menej než polovicu maximálnej náplne suchej bielizne.

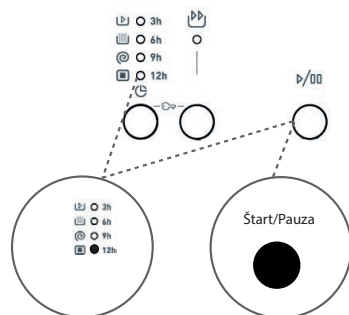
Túto funkciu vyberte stlačením tlačidla „Rýchle pranie“. Kontrolka rýchleho prania sa rozsvieti.

**POZNÁMKA:** Ak do práčky vložíte menej než polovicu maximálneho množstva bielizne, práčka automaticky nastaví funkciu polovičnej náplne, bez ohľadu na vybraný program. To znamená, že dokončenie vybraného programu zaberie menej času a spotrebuje sa menej vody a energie. Ak vaša práčka deteguje polovicu náplne, na displeji sa automaticky zobrazí symbol Rýchle pranie.



## Tlačidlo Štart/Pauza

Ak chcete spustiť vybraný program, stlačte tlačidlo Štart/Pauza. Rozsvieti sa indikátor prevádzky (pranie).



## Detská poistka

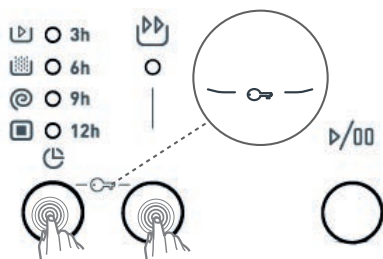
Funkcia Detská poistka umožňuje uzamknúť tlačidlá, takže zvolený prací cyklus nie je možné nedopatrením zmeniť.

Ak chcete aktivovať detskú poistku, stlačte a podržte súčasne tlačidlá doplnkových funkcií, pozrite obrázok, na najmenej 3 sekundy. Pri aktívnej detskej poistke bude na paneli svietiť kontrolka prídavnej funkcie.

Ak stlačíte ľubovoľné tlačidlo alebo zmeníte voličom programov zvolený program pri aktívnej detskej poistke, rozblík sa na displeji kontrolka prídavnej funkcie.

Ak práčka už perie, detská poistka je aktívna a vy sa pokúsite zmeniť program otočením voliča programov na polohu „0“ a následne na požadovaný program, práčka bude aj naďalej bez zmeny pokračovať v praní.

Ak chcete deaktivovať detskú poistku, stlačte a podržte súčasne tlačidlá prídavných funkcií na najmenej 3 sekundy.



## Zrušenie programu

**Vybraný program je možné kedykoľvek zrušiť:**

1. Volič programov prepnete do polohy „0“.
2. Práčka zastaví prací cyklus a program sa zruší.








3. Otočením voliča PROGRAMOV na akýkoľvek iný program vypustíte z práčky vodu.
  4. Vaša práčka vykoná nevyhnutné vypúšťanie vody a zruší program.
- Teraz môžete vybrať a spustiť nový program.

## Koniec programu

Vaša práčka sa sama zastaví, hneď ako vybraný program skončí.

- Na paneli svieti kontrolka ukončenia programu.
- Môžete otvoriť dverka práčky a vybrať bielizeň.
- Dverka práčky nechajte otvorené, aby mohla vnútorná časť práčky vyschnúť.
- Volič programov prepnite do polohy „0“.
- Práčku odpojte od siete.
- Zavrite prívod vody.

## TABUĽKA PROGRAMOV

Program	Teplota (°C)	Maximálna kapacita suchej bielizne (kg)	Priehradka	Dĺžka (minút)	Typ bielizne/opis
BAVLNA 90°	90	5,0	2	176	Veľmi špinavá, bavlnená a ľanová bielizeň. (Spodná bielizeň, obliečky, obrusy, uteráky (maximálne 2,5 kg), posteľná bielizeň atď.)
Predpierka – Bavlna	60	5,0	1+2	156	Špinavá bavlna a ľanový textil. (Spodná bielizeň, obliečky, obrusy, uteráky (maximálne 2,5 kg), posteľná bielizeň atď.)
BAVLNA 60 °C	60	5,0	2	190	Špinavá bavlna a ľanový textil. (Spodná bielizeň, obliečky, obrusy, uteráky (maximálne 2,5 kg), posteľná bielizeň atď.)
ECO 40 – 60	40	5,0	2	180	Špinavá bavlna a ľanový textil. (Spodná bielizeň, obliečky, obrusy, uteráky (maximálne 2,5 kg), posteľná bielizeň atď.)
BAVLNA 20 °C	20	2,5	2	96	Menej špinavý bavlnený a ľanový textil. (Spodná bielizeň, obliečky, obrusy, uteráky (max. 2 kg), posteľná bielizeň atď.)
Syntetika 	40	3,0	2	110	Veľmi špinavý alebo syntetický textil. (Nylonové pančuchy, tričká, blúzky, syntetické zmesi atď.)
VLNA 	30	2,0	2	39	Vlnená bielizeň so štitkom prateľná v práčke.
PLÁCHANIE 	--	5,0	--	36	Ďalšie plákanie akéhokoľvek typu bielizne po praní.
ŽMÝKANIE 	--	5,0	--	15	Ďalšie žmýkanie akéhokoľvek typu bielizne po praní.
JEMNÉ/RUČNÉ PRANIE 	30	2,0	2	90	Bielizeň, pri ktorej sa odporúča pranie v ruke, alebo jemná bielizeň.
FARBY 40 °C 	40	3,0	2	180	Menej špinavý bavlnený a ľanový textil. (Spodná bielizeň, obliečky, obrusy, uteráky (max. 2 kg), posteľná bielizeň atď.)
ZMIEŠANÉ MIX	30	3,0	2	81	Špinavý bavlnený, syntetický, farebný a ľanový textil, je možné prať dohromady.
BLÚZKY/KOŠELE 	60	3,0	2	107	Špinavá bavlna, syntetika a syntetické zmesi, tričká, blúzky, je možné prať spoločne.
RÝCHLY 60 min.	60	2,0	2	60	Špinavé, bavlnené, farebné a ľanové textilie prané pri 60 °C za 60 minút.
RÝCHLY 15 min.*	30	2,0	2	15	Ľahko znečistený bavlnený, ľanový a farebný textil.

\* Vzhľadom na krátky čas prania tohto programu odporúčame použiť menej pracieho prostriedku. Ak práčka deteguje nerovnomerné zaťaženie, program môže trvať dlhšie než 15 minút. Dverka práčky môžete otvoriť 2 minúty po dokončení pracieho cyklu. (Toto dvojminútové obdobie nie je zahrnuté v čase trvania programu).

**POZNÁMKA:** ČAS TRVANIA PROGRAMU SA MÔŽE ZMENIŤ V ZÁVISLOSTI OD MNOŽSTVA BIELIZNE, TYPU VODY, OKOLITEJ TEPLoty A VYBRANÝCH PRÍDAVNÝCH FUNKCIÍ.

- Ak vložíte do práčky 2 kg bielizne alebo menej, práčka spustí automatický cyklus, ktorý trvá 30 minút.
- Vzhľadom na krátky čas prania tohto programu odporúčame použiť menej pracieho prostriedku. Ak práčka deteguje nerovnomerné zaťaženie, program môže trvať dlhšie než 15 minút. Dvierka práčky môžete otvoriť 2 minúty po dokončení pracieho cyklu. (Toto dvojminútové obdobie nie je zahrnuté v čase trvania programu).
- Podľa nariadení 1015/2010 a 1061/2010 je program 3 s voľbami teploty „Štandardným programom pre bavlnu pri 60 °C“ a „Štandardným programom pre bavlnu pri 40 °C“.
- Program Eco 40 – 60 dokáže spolu v rovnakom cykle vyčistiť bežne znečistenú bavlnenú bielizeň s odporúčanou teplotou prania 40 °C alebo 60 °C a tento program sa používa na posúdenie súladu s právnymi predpismi EÚ o ekodizajne.
- Najúčinnšie programy, pokiaľ ide o spotrebu energie, sú spravidla programy, ktoré perú dlhší čas pri nižších teplotách.
- Naplnenie práčky pre domácnosť na kapacitu uvedenú výrobcom pre príslušné programy prispeje k úspore energie a vody.
- Čas trvania programu, spotreba energie a hodnoty spotreby vody sa môžu líšiť v závislosti od hmotnosti a typu náplne, vybraných doplnkových funkcií, typu vody a okolitej teploty.
- Pre pracie programy, ktoré perú pri nízkej teplote, sa odporúča používať tekutý prací prostriedok. Množstvo pracieho prostriedku závisí od množstva bielizne a miery jeho znečistenia. Riadte sa odporúčaniami výrobcu pracieho prostriedku týkajúcimi sa používaného množstva.
- Rýchlosť odstredovania má vplyv na hluk a zvyškový obsah vlhkosti. Čím vyššia rýchlosť odstredovania vo fáze odstredovania, tým vyšší hluk a tým nižší zvyškový obsah vlhkosti.
- Prístup do databázy produktov, kde sú uložené informácie o modeli, môžete získať načítaním QR kódu na energetickom štítku.

## Dôležité informácie

- Používajte iba pracie prostriedky, zmäkčovadlá a doplnky vhodné pre automatické práčky. Vytvorila sa nadmerná pena a bol aktivovaný systém automatickej absorpcie peny následkom použitia príliš veľkého množstva pracieho prostriedku.
- Odporúčame pravidelné čistenie práčky každé 2 mesiace. Na pravidelné čistenie použite program Drum Clean (čistenie bubna). Ak vaša práčka nemá program Drum Clean, použite program Cotton 90. Podľa potreby použite len vhodné prípravky na odstránenie vodného kameňa vyvinuté špeciálne pre práčky.
- Nikdy neotvárajte dvierka, keď je práčka v prevádzke. Dvierka práčky môžete otvoriť 2 minúty po dokončení pracieho cyklu.
- Činnosti inštalácie a opráv musia vždy vykonávať zástupcovia autorizovaného servisu, aby sa predišlo možným rizikám. Výrobca nenesie zodpovednosť za škody, ktoré môžu vzniknúť pri procesoch vykonávaných neoprávnenými osobami.

## ČISTENIE A ÚDRŽBA

### Varovanie

**Pred pristúpením k údržbe a čisteniu vypnite spotrebič a vyťahnite zástrčku napájacieho kábla zo zásuvky. Pred začatím údržby a čistenia práčky zavrite prívod vody.**

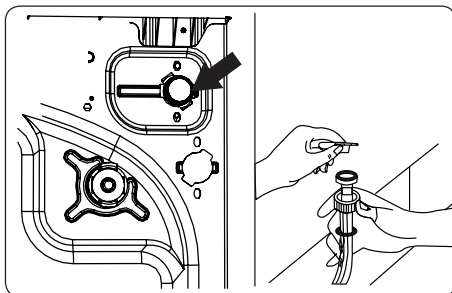
**Na čistenie práčky nepoužívajte rozpúšťadlá, abrazívne čistiace prostriedky, prostriedky na čistenie skla ani univerzálne čistiace prostriedky. Chemikálie, ktoré sa v nich nachádzajú, môžu poškodiť plastové povrchy spotrebiča a ďalšie komponenty.**

## Filtere na prívoде vody

Filtere na prívoде vody zabráňujú vniknutiu nečistôt a cudzích materiálov do práčky.

Odporúčame vyčistiť tieto filtre vtedy, keď do práčky nenateká dostatok vody, aj keď je prívod vody zapnutý a kohútik otvorený. Odporúčame čistiť filtre prívoду vody každé 2 mesiace.

- Odskrutkujte prívodnú hadicu (hadice) z práčky.
- Ak chcete vybrať filter prívoду vody z napúšťacieho ventilu, použite dlhé klieštiky a opatrne odstráňte plastovú tyčinku na filtri.
- Druhý filter prívoду vody je umiestnený na konci prívodnej hadice, ktorý ide do kohútika. Ak chcete vybrať druhý filter prívoду vody, použite dlhé klieštiky a opatrne odstráňte plastovú tyčinku na filtri.
- Filter dôkladne vyčistite mäkkou kefou, umyte mydlovou vodou a dôkladne opláchnite. Filter jemným zatlačením vložte späť na miesto.



**POZOR:** Filtere na prívodnom ventilu vody môžu byť zanesené v dôsledku nízkej kvality vody alebo nedostatočnej údržby a môžu sa poškodiť. To môže spôsobiť únik vody. Na takéto poruchy sa nevzťahuje záruka.

## Filter čerpadla

Filtračný systém čerpadla vo vašej práčke predlžuje životnosť čerpadla tým, že zabráňuje vniknutiu nečistôt do práčky. Odporúčame čistiť filter čerpadla každé 2 mesiace.

Filter čerpadla je umiestnený za krytom v pravom prednom dolnom rohu.

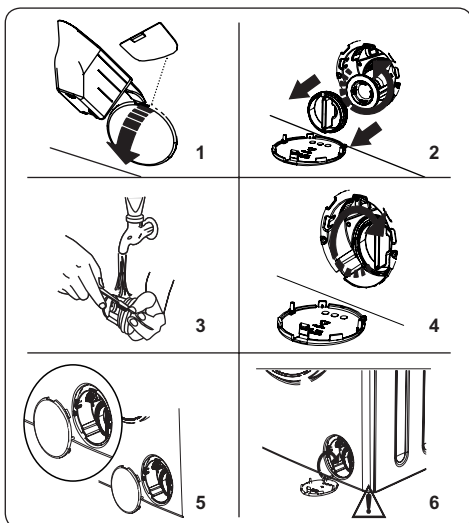
Čistenie filtra čerpadla:

1. Otvorte kryt. Môžete použiť priehradku na tekutý prášok – pozrite obrázok.
2. Zasuňte koniec odmerky na prací prášok alebo mierky hladiny tekutého pracieho prostriedku do otvoru krytu a jemne zatlačte dozadu. Kryt sa otvorí.
3. Pred samotným otvorením umiestnite pod kryt filtra nádobu, ktorá zachytí všetku vodu, ktorá v práčke zostala.
4. Uvoľnite filter otáčaním proti smeru hodinových ručičiek a zatahnutím ho vyberte. Počkejte, až voda vytečie.

**POZNÁMKA:** V závislosti od množstva vody vnútri práčky bude pravdepodobne nutné niekoľkokrát vyprázdniť zbernú nádobu na vodu.

5. Mäkkou kefou odstráňte z filtra všetky cudzie materiály.
6. Po vyčistení znovu vložte filter na miesto a upevnite ho otáčaním v smere hodinových ručičiek.
7. Pri zatváraní krytu filtra sa uistite, že držiaky vnútri krytu zapadajú do otvorov na strane predného panelu.
8. Zavrite kryt filtra.

**VAROVANIE:** Voda v čerpadle môže byť horúca, pred čistením alebo údržbou počkejte, až vychladne.



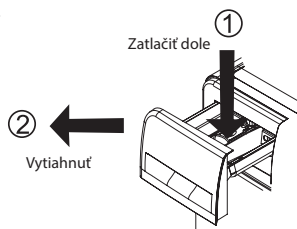


## Priehradka na prací prášok

Používania pracieho prostriedku môže časom viesť k usadzovaniu zvyškov v zásuvke na prací prostriedok. Odporúčame vybrať zásuvku každé 2 mesiace a vyčistiť nahromadené zvyšky.

Vybratie zásuvky na prací prostriedok:

- Vytiahnite zásuvku dopredu tak, aby bola celkom vysunutá.
- Opatrne zatlačte na zásuvku (pozrite obrázok nižšie) a zásuvku vytiahnite.
- Vyčistite zásuvku vodou a mäkkou kefou.
- Ak sú v zásuvke zvyšné nečistoty, odstráňte ich mäkkou kefou. Dbajte na to, aby sa žiadne zvyšné nečistoty nedostali do práčky.
- Dôkladne osušte zásuvku a zasuňte ju späť.
- **Neumývajte zásuvku na prací prostriedok v umývačke riadu.**



## Preplachovacia zátka/telo/bubon

### 1. Preplachovacia zátka

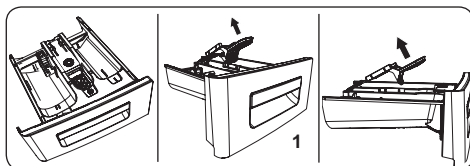
Vyberte zásuvku na prací prostriedok a demontujte preplachovaciu zátku. Dôkladne odstráňte všetky zvyšky zmäčkovadla. Po očistení vráťte späť preplachovaciu zátku a skontrolujte, či je správne usadená.

### 2. Telo

Na čistenie vonkajšieho puzdra použite jemný neabrazívny čistiaci prostriedok alebo mydlo a vodu. Utrite dosucha mäkkou handričkou.

### 3. Bubon

Nenechávajte v práčke kovové predmety, ako sú ihly, kancelárske sponky, mince atď. Tieto predmety vedú k tvorbe hrdze na bubne. Na čistenie hrdze použite čistiaci prostriedok bez obsahu chlóru a postupujte podľa pokynov výrobcu čistiaceho prostriedku. Nikdy nepoužívajte drôtenku alebo podobné tvrdé predmety na čistenie škvŕn od hrdze.



## RIEŠENIE PROBLÉMOV

Opravu práčky by mala vykonávať autorizovaná servisná spoločnosť. Ak práčka vyžaduje opravu alebo ak nemôžete vyriešiť problém pomocou nižšie uvedených pokynov, mali by ste:

- Odpojiť práčku od napájania.
- Zavrieť prívod vody.

CHYBA	MOŽNÁ PRÍČINA	RIEŠENIE PROBLÉMU
Práčka sa nezapne.	Práčka nie je pripojená k elektrickej sieti.	Pripojte práčku k elektrickej sieti.
	Poistky sú chybné.	Vymeňte poistky.
	Žiadne sieťové napájanie.	Skontrolujte napájanie zo siete.
	Tlačidlo ŠTART/PAUZA nebolo stlačené.	Stlačte tlačidlo Štart/Pauza
	Pozícia programového voliča „stop“.	Volič programu prepnite do požadovanej polohy.
Dvierka práčky nie sú úplne zatvorené.	Dvere práčky zavrite.	

CHYBA	MOŽNÁ PRÍČINA	RIEŠENIE PROBLÉMU
Práčka nenapúšťa vodu.	Vodovodný kohútik je zatvorený.	Otvorte kohútik.
	Hadica na prívod vody môže byť zamotaná.	Skontrolujte prívodnú hadicu a rozmotajte ju.
	Hadica na prívod vody je upchatá.	Vyčistite filtre prívodnej hadice. (*)
	Prívodný filter je upchatý.	Vyčistite filtre prívodu vody. (*)
	Dvierka práčky nie sú úplne zatvorené.	Dvere práčky zavrite.
Práčka nevypúšťa vodu.	Vypúšťacia hadica je zanesená alebo zamotaná.	Skontrolujte vypúšťaciu hadicu a potom ju vyčistite alebo rozviňte.
	Filter čerpadla je upchatý.	Vyčistite filter čerpadla. (*)
	V bubne je bielizeň príliš natlačená k sebe.	Rozložte bielizeň rovnomerne do práčky.
Práčka vibruje.	Nôžky neboli nastavené.	Nastavte nôžky. (**)
	Prepravné skrutky neboli odstránené.	Odstráňte prepravné skrutky z práčky. (**)
	Malé zataženie v bubne.	To nezabráni prevádzke práčky.
	Práčka je preťažaná bielizňou alebo je bielizeň nerovnomerne rozprestretá.	Nepreťažujte bubon. V bubne rovnomerne rozprestrite bielizeň.
	Práčka je umiestnená na tvrdom povrchu.	Neumiestňujte práčku na tvrdý povrch.
V zásuvke na prací prostriedok sa vytvára nadmerné množstvo peny.	Bolo použité nadmerné množstvo pracieho prostriedku.	Stlačte tlačidlo Štart/Pauza, Ak chcete penenie zastaviť, rozriedte jednu polievkovú lyžicu zmäkčovadla v 1/2 litra vody a nalejte ju do zásuvky na prací prostriedok. Po 5 – 10 minútach stlačte tlačidlo ŠTART/PAUZA.
	Bol použitý nevhodný prací prostriedok.	V práčke používajte iba pracie prostriedky vyrobené pre automatické práčky.
Neuspokojivý výsledok prania.	Vaša bielizeň je pre vybraný program príliš špinavá.	Pomocou informácií v tabulke programov vyberte najvhodnejší program.
	Použilo sa príliš malé množstvo pracieho prostriedku.	Používajte správne množstvo pracieho prostriedku podľa pokynov na obale.
	V práčke je príliš mnoho bielizne.	Skontrolujte, či nebola prekročená maximálna kapacita pre vybraný program.
	Tvrdá voda.	Podľa pokynov výrobcu zvyšte množstvo pracieho prostriedku.
	V bubne je bielizeň príliš natlačená k sebe.	Skontrolujte, či je bielizeň v bubne rovnomerne rozprestretá.



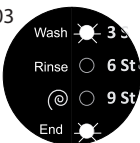
CHYBA	MOŽNÁ PRÍČINA	RIEŠENIE PROBLÉMU
Hneď ako sa práčka naplní vodou, voda sa vypúšťa.	Koniec vypúšťacej hadice je pre práčku príliš nízko.	Skontrolujte, či je vypúšťacia hadica vo vhodnej výške. (**).
Počas prania sa v bubne neobjavila voda.	Žiadna chyba. Voda je v časti bubna, ktorá nie je viditeľná.	-
Na bielzni zostávajú zvyšky pracieho prostriedku.	Nerozpúšťajúce sa častice niektorých pracích prostriedkov sa môžu na vašej bielzni objaviť ako biele škvrny.	Po uschnutí vykonajte ďalšie plákanie alebo vyčistite bielizeň kefou.
Na bielzni sa objavujú sivé škvrny.	Na vašej bielzni je neošetrený olej, krém alebo masť.	Na ďalšie pranie používajte správne množstvo pracieho prostriedku podľa pokynov na obale.
Cyklus žmýkania neprebíha alebo prebieha neskôr, než sa očakávalo.	Žiadna chyba. Bol aktivovaný systém nevyváženého zaťaženia.	Systém kontroly nevyváženého zaťaženia sa bude snažiť bielizeň rovnomerne rozložiť v bubne. Žmýkanie začne, hneď ako sa bielizeň rozloží. Pri ďalšom praní rozprestrite bielizeň v bubne rovnomerne.


(\*) Pozrite kapitolu týkajúcu sa údržby a čistenia práčky.

(\*\*) Pozrite kapitolu týkajúcu sa inštalácie práčky.

## Chybové kódy a ich riešenia

Práčka je vybavená vstavaným systémom detekcie porúch. Poruchy sú indikované kombináciou svietiacich prevádzkových kontroliek. Najbežnejšie chybové kódy sú uvedené nižšie.

CHYBOVÝ KÓD	PRÍČINA	NÁPRAVA
E01 	Dvierka práčky nie sú správne zatvorené.	Zavrite správne dvierka, kým nezačujete cvaknutie. Ak vaša práčka aj naďalej ukazuje poruchu, práčku vypnite, odpojte a okamžite kontaktujte najbližší autorizovaný servis.
E02 	Nedostatočný tlak vody alebo nízka hladina vody vnútri práčky.	Skontrolujte, či je kohútik celkom otvorený. Prívod vody môže byť odpojený. Ak problém pretrváva, práčka sa po chvíli automaticky zastaví. Práčku odpojte, zavrite kohútik prívodu vody a kontaktujte najbližší autorizovaný servis.
E03 	Chybné čerpadlo, upchatý filter čerpadla alebo chybné elektrické zapojenie čerpadla.	Vyčistite filter čerpadla. Ak problém pretrváva, kontaktujte najbližší autorizovaný servis. (*)

CHYBOVÝ KÓD	PRÍČINA	NÁPRAVA
E04 	V práčke je nadmerné množstvo vody.	Práčka vodu sama vypustí. Hneď ako sa voda vypustí, práčku vypnite a odpojte ju od siete. Zavrite kohútik prívodu vody a kontaktujte najbližší autorizovaný servis.

(\*) Pozrite kapitolu týkajúcu sa údržby a čistenia práčky.

## TECHNICKÉ ÚDAJE

	EWF 1053 MD
Vstavaný spotrebič	Nie
Maximálna kapacita náplne (suchá bielizeň) kg	5
Rozmery (V × Š × H) [mm]	845 × 597 × 497
Menovité napätie	220 – 240 V ~ 50 Hz
Príkonnosť	2100 W
Poistka	10 A
Tlak vody (MPA) MIN./MAX.	0,1, MPA/1, MPA

## VYUŽITIE A LIKVIDÁCIA ODPADU

Baliaci papier a vlnitá lepenka – odovzdajte do zberných surovín. Prebalová fólia, PE vrecúška, plastové diely – do zberných kontajnerov na plasty.

## LIKVIDÁCIA VÝROBKU PO UKONČENÍ ŽIVOTNOSTI

**Likvidácia použitých elektrických a elektronických zariadení (platí v členských krajinách EÚ a ďalších európskych krajinách so zavedeným systémom triedenia odpadu)**

Vyobrazený symbol na produkte alebo na obale znamená, že s produktom by sa nemalo nakladať ako s domovým odpadom. Produkt odovzdajte na miesto určené na recykláciu elektrických a elektronických zariadení. Správnu likvidáciu produktu zabránite negatívnym vplyvom na ľudské zdravie a životné prostredie. Recyklácia materiálov prispieva k ochrane prírodných zdrojov. Viac informácií o recyklácii tohto produktu vám poskytne obecný úrad, organizácia na spracovanie domového odpadu alebo predajné miesto, kde ste produkt kúpili.



08/05

Tento výrobok spĺňa požiadavky smerníc EÚ o elektromagnetickej kompatibilite a elektrickej bezpečnosti. Tento výrobok spĺňa požiadavky na vydávanie ťažkých kovov v elektrických zariadeniach.



Návod na obsluhu je k dispozícii na webových stránkach [www.ecg-electro.eu](http://www.ecg-electro.eu). Zmena textu a technických parametrov vyhradená.

## VARNOSTNI NAPOTKI

### **Pazljivo preberite in shranite za morebitno kasnejšo uporabo!**

**Svarilo:** Varnostni ukrepi in navodila v tem priročniku ne zajemajo vseh možnih pogojev in situacij, do katerih lahko pride. Uporabnik mora razumeti, da so dejavniki, ki jih ni mogoče vključiti v nobenega izmed izdelkov, zdrav razum, previdnost in skrbnost. Zato mora uporabnik te naprave sam zagotoviti omenjene dejavnike. Ne odgovarjamo za škodo, nastalo med prevozom, zaradi nepravilne uporabe, zaradi nihanja napetosti ali zaradi spremembe ali predelave kateregakoli dela naprave.

Upoštevajte navodila v tem priročniku. Pred prvo uporabo natančno preberite celotna pisna navodila in jih shranite za morebitno kasnejšo uporabo.

Da ne bi prišlo do požara ali poškodbe zaradi električnega udara, morate pri uporabi električnih naprav vedno upoštevati osnovna varnostna navodila, med katerimi so tudi naslednja:

1. Prepričajte se, da električna napetost na vaši vtičnici odgovarja tisti, ki je navedena na tipski ploščici naprave. Za zagotovitev lastne varnosti vtič napajalnega kabla vtaknite v pravilno ozemljeno tripolno vtičnico, nameščeno v skladu z veljavnimi električnimi standardi EN glede na navodila proizvajalca in lokalne varnostne predpise.
2. Aparata ne uporabljajte, če je napajalni kabel poškodovan. Priklop aparata v električno omrežje in priključitev vode, vsa popravila ali prilagoditve, vključno z zamenjavo napajalnika, zaupajte pooblaščenemu servisu! Ne odstranjujte zaščitnih pokrovov aparata, nevarnost električnega udara!
3. Napajalnega kabla ne priklaplajte in odklaplajte iz vtičnice z mokrimi rokami. Tako boste preprečili tveganje udarca z električnim tokom.
4. Aparata se ne dotikajte z mokrimi rokami ali nogami.
5. Po inštalaciji aparata mora ostati vtič električnega kabla enostavno dostopen. Kabla ne krajšajte in ne uporabljajte razdelilnikov

oziroma podaljškov. Napajalni kabel mora teči tako, da ni v stiku z vročimi predmeti in ni speljan prek ostrih robov.

6. Aparata ne prižigajte in ne ugašajte s priključitvijo ali izključitvijo vtiča električnega napajanja. Vtiča ne vlecite iz vtičnice z vlečenjem za kabel. Kabel izvlecite iz vtičnice tako, da ga držite za vtič. Po uporabi aparat vedno izklopite z zasukom vrtljivega gumba v položaj OFF, izključite ga iz omrežja in zaprite dovod vode.
7. Pralnega stroja ne postavljajte na preproge in podobne površine, ki bi lahko blokirale prezračevalne odprtine v temelju.
8. Nikoli ničesar ne potiskajte v odprtine aparata, nanj ne polagajte nobenih predmetov (npr. vaze, skodelice ipd.).
9. Odvodne cevi vašega pralnega stroja ne postavljajte v pomivalno korito, vedro ali umivalnik.
10. Ne dovolite, da bi se otroci igrali z aparatom. Onemogočite pristop k pralnemu stroju otrokom ali živalim. **Otrokom, mlajšim od 3 let, je treba preprečiti dostop do aparata, če niso pod stalnim nadzorom.**
11. Male dele, ki jih najdete v vrečki z dokumentacijo, shranite izven dosega otrok.
12. Aparata ne izpostavljajte neposrednemu sončnemu sevanju, ne uporabljajte ga zunaj in ne izpostavljajte ga dežju.
13. V bližini aparata ne puščajte vnetljivih tekočin.
14. V pralnem stroju ne perite stvari, ki so bile očiščene, umite, namočene ali obarvane z vnetljivimi ali eksplozivnimi snovmi (vosek, olje, barva, bencin, razmaščevalci, kemična topila, kerozin itd.). Uporaba lahko vnetljivih in eksplozivnih ali strupenih topil je prepovedana. Bencina, alkohola itd. ne uporabljajte namesto pralnih sredstev. Lahko pride do požara ali eksplozije. **Pranje preprog je prepovedano.**
15. Pralnega stroja se med njegovim delovanjem ne dotikajte z mokrimi rokami. Med pranjem in ožemanjem nikoli ne odpirajte predala za pralno sredstvo ali vrat pralnega stroja.
16. Med odtekanjem se ne dotikajte odvodne cevi ali odtečene vode. Voda lahko pri delovanju pralnega stroja doseže visoko temperaturo.

17. V primeru kakršnekoli napake aparat najprej izključite iz napajanja in nato zaprite vodovodno pipo. Aparata ne poskušajte popraviti z lastnimi močmi, obrnite se na pooblaščen servis.
18. Pred prvo uporabo ne pozabite **ODSTRANITI BLOKIRNIH VIJAKOV**, ki varujejo boben pralnega stroja med prevozom. Na poškodbe, ki so povzročene z zagonom pralnega stroja z nameščenimi blokirnimi vijaki, se garancija ne nanaša.
19. Aparat je namenjen izključno za domačo uporabo in za pranje samo tekstilnih materialov. V primeru komercialne uporabe ali uporabe, ki ni v skladu s tem priročnikom, garancija preneha veljati.
20. Ta pralni stroj je namenjen samo za notranjo uporabo.
21. Aparata ne nameščajte v mokrih in vlažnih prostorih, pa tudi v prostorih, v katerih se pojavljajo eksplozivni ali jedki plini.
22. Otroci, stari 8 let in več, osebe z zmanjšano fizično ali umsko sposobnostjo ali osebe, ki nimajo dovolj izkušenj, lahko uporabljajo ta aparat samo pod nadzorom, ali če jih je izkušena oseba podučila o varni uporabi aparata in razumejo vse nevarnosti, povezane s to uporabo. Čiščenja in vzdrževanja, ki ga izvajajo uporabniki, ne smejo izvajati otroci, ki niso starejši od 8 let in pod nadzorom starejših oseb. Otroci, mlajši od 8 let, ne smejo biti v bližini naprave in izvora energije.
23. Kakršnenkoli poseg v aparat s strani druge osebe kot pooblaščenega servisa ima kot posledico izgubo garancije.
24. Garancija se ne nanaša na poškodbe, povzročene z zunanjimi vplivi (poplava, kemikalije, požar ipd.).
25. Proizvajalec ne odgovarja za škode, do katerih pride zaradi nepravilne ozemljitve/uporabe. **NEVARNA NAPETOST, TVEGANJE UDARA!**

## PRIPOROČILO

- Pred začetkom uporabe svojega novega avtomatskega pralnega stroja prosite za pomoč pri namestitvi in prvem zagonu usposobljenega inštalaterja ali pooblaščen servis.
- Pralni stroj namestite na dobro zračeno mesto z zadostno cirkulacijo zraka. Aparat postavite tako, da je mogoče popolnoma odpreti vrata pralnega stroja. Pralni stroj ni namenjen vgrajevanju v sklope pohištva.
- Idealna temperatura okolice za delovanje pralnega stroja je od 15 °C do 25 °C.
- Zamrznjene cevi lahko nabreknejo in počijo. Na območjih, kjer temperatura pada pod ledišče, lahko temperatura okolice ogrozi varno delovanje elektronskih vezij.

- Prvi pralni cikel priporočamo izvesti brez perila s programom »90° beli bombaž« tako, da v drugi prekat predala za pralno sredstvo nasujete ½ merice pralnega sredstva.
- Ker lahko pri dolgoročnem stiku z zrakom prihaja do usedanja pralnega praška ali mehčalca, odmerjajte pralni prašek in mehčalec v predal tik pred načrtovanim pranjem.
- Uporabo programa predpranja priporočamo samo za močno umazano perilo.
- Količina perila, ki ga vstavite v stroj, ne sme presežati največje dovoljene količine. V nasprotnem primeru bo pralni stroj stekel v zasilnem načinu.
- Pralni stroj uporabljajte samo za perilo, za katerega je proizvajalec označil, da je primerno za pranje v pralnem stroju.
- Pri uporabi mehčalca in podobnih pripravkov v vašem pralnem stroju upoštevajte priporočila proizvajalca pralnega praška/mehčalca.
- Prepričajte se, da se v žepih perila, ki ste ga vstavili v stroj, ne nahajajo tuji predmeti (žebelji, igle, kovanci, vžigalniki, vžigalice, sponke ipd.). Ti tuji predmeti bi lahko poškodovali pralni stroj.
- Pranje močno zaprašenih oblačil poškoduje vaš pralni stroj. Močno zaprašena oblačila pred vstavljanjem v stroj otesite.
- Nikoli ne odpirajte predala za pralno sredstvo, ko je aparat v teku.
- Nikoli na silo ne odpirajte vrat pralnega stroja, ko je ta v teku.
- Pred odpiranjem vrat preverite, ali v bobnu ni ostala voda. Če vidite vodo, vrat pralnega stroja ne odpirajte.
- Po koncu programa počakajte vsaj 2 minuti in šele nato odprite vrata.
- Žveplo, ki ga vsebujejo sredstva za razbarvanje, lahko povzroča korozijo. Zato v pralnem stroju nikoli ne uporabljajte sredstev za razbarvanje. V pralnem stroju nikoli ne uporabljajte snovi, ki vsebujejo topila (npr. tehnični bencin).
- Če pralnega stroja ne boste uporabljali dlje časa, ga izključite iz omrežja, zaprite dovod vode in pustite vrata odprta. Notranji prostor pralnega stroja bo tako ostal suh in brez neželenega smrada.
- Po testiranju na koncu proizvodnega procesa je lahko v pralnem stroju ostala mala količina vode, ki pa ne predstavlja tveganja poškodbe vašega pralnega stroja.

## **Nevarnost stekanja**

- Uporabljajte nov komplet cevi, ki ste ga dobili z aparatom
- Starega kompleta cevi ponovno ne uporabljajte.
- Po uporabi vedno izključite aparat iz omrežja in zaprite dovod vode.
- Odvodne cevi vašega pralnega stroja ne postavljajte v pomivalno korito, vedro ali umivalnik.

## **Nevarnost padca ali udarca**

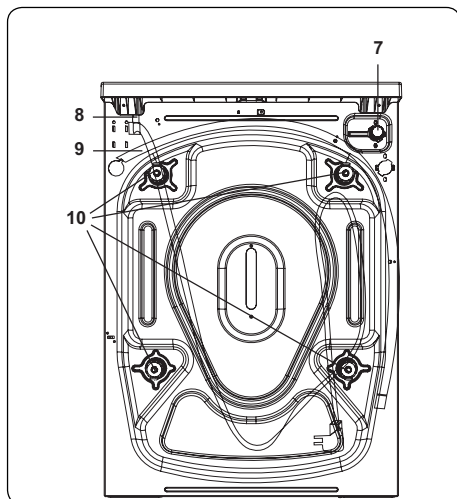
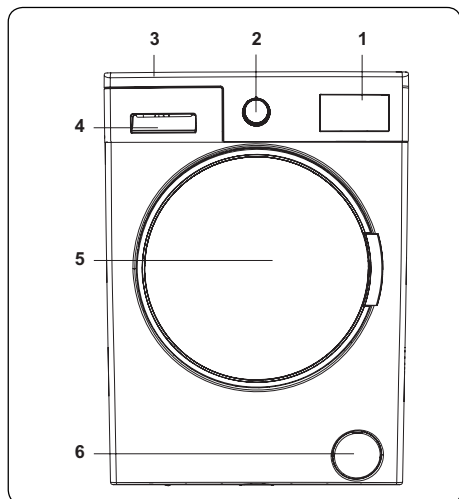
- Na pralni stroj ne stopajte niti se nanj ne usedajte. Zgornja plošča bi lahko počila in lahko bi se poškodovali.
- Ne naslanjajte se na vrata. Ne zapirajte jih na silo. Če se vrata težko zapirajo, preverite, ali v pralnem stroju ni preveč oblačil in ali so dobro razporejena.
- Po namestitvi varno uredite cevi in napajalni kabel. Spotikanje in padanje lahko povzročita poškodbe.
- Pralnega stroja ne obračajte z nogami navzgor ali na bok.
- Pralnega stroja ne dvigajte za štrleče dele (predal za pralno sredstvo, vrata). Lahko se poškodujejo.
- Rokovanje s pralnim strojem zahteva sodelovanje vsaj dveh oseb.

## **Varnost otrok**

- Otrokom, mlajšim od 3 let, je treba preprečiti dostop do aparata, če niso pod stalnim nadzorom. Ne puščajte otrok brez nadzora v bližini pralnega stroja. Otroci bi se lahko zaprli v pralni stroj z usodnimi posledicami.
- Med delovanjem so lahko steklena vrata in površine pralnega stroja zelo vroče. Zaščitite majhne otroke in živali pred stikom s temi površinami.
- Embalažni material shranite izven dosega otrok. Nevarnost zadušitve
- Zaužitje pralnih sredstev lahko povzroči zastrupitev, stik s kožo ali očmi pa lahko povzroči draženje. Čistilna sredstva hranite izven dosega otrok.



## OPIS

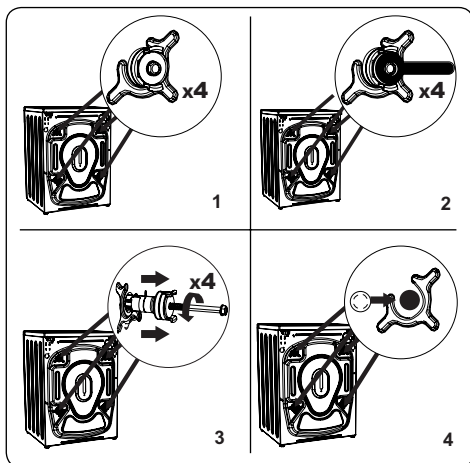


1. Elektronski zaslon
2. Gumb za izbiro programa
3. Zgornji pokrov
4. Predalček za pralno sredstvo
5. Boben
6. Pokrov filtra črpalke
7. Ventil dovoda vode
8. Napajalni kabel
9. Odvodna cev
10. Varnostni transportni vijaki

## INŠTALACIJA

### Odstranitev transportnih vijakov

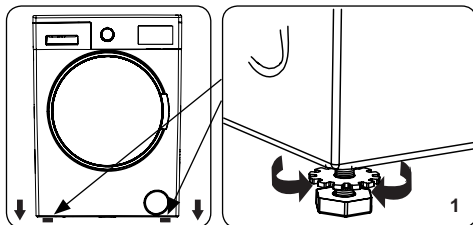
1. Pred zagonom pralnega stroja iz hrbtne strani odstranite 4 transportne vijake in gumijaste podložke. Če transportnih vijakov ne odstranite, lahko povzročijo močne vibracije, hrup in nepravilno delovanje pralnega stroja, kar lahko vede k razveljavitvi garancije.
2. Transportne vijake odvijete tako, da jih z ustreznim ključem zavrtite v nasprotni smeri urnega kazalca.
3. Odstranite jih tako, da jih naravnost povlečete.
4. Vstavite plastične čepke iz vrečke z opremo v odprtine, ki so ostale po odstranitvi transportnih vijakov. Transportne vijake nato shranite za prihodnjo uporabo.



**Opomba:** Pred prvo uporabo pralnega stroja odstranite transportne vijake. Okvar, ki nastanejo kot posledica delovanja pralnega stroja z nameščenimi transportnimi vijaki, garancija ne krije.

## Nastavitev prilagodljivih nogic / nastavitev nastavljivih držal

1. Pralnega stroja ne namestite na podlago (npr. na preprogo), ki bi preprečevala prezračevanje spodnjega dela stroja.
  - Da bi zagotovili tiho delovanje brez vibracij, ga namestite na trdno podlago.
  - S pomočjo prilagodljivih nogic lahko uskladite ravnotežje pralnega stroja.
  - Sprostite plastično prilagoditveno matico.
2. Če želite zvišati višino pralnega stroja, obrnite nogice v smeri urnega kazalca. Če želite znižati višino pralnega stroja, obrnite nogice v nasprotni smeri urnega kazalca.
  - Ko je pralni stroj v vodoravnem položaju, zategnite zaporne matice tako, da jih zasučete v smeri urnega kazalca.
3. Pod pralni stroj nikoli ne postavljajte kartona, lesa ali drugih podobnih materialov.
  - Pri pometanju in umivanju podlage, na kateri stoji pralni stroj, pazite, da ne spremenite vodoravnega položaja pralnega stroja.



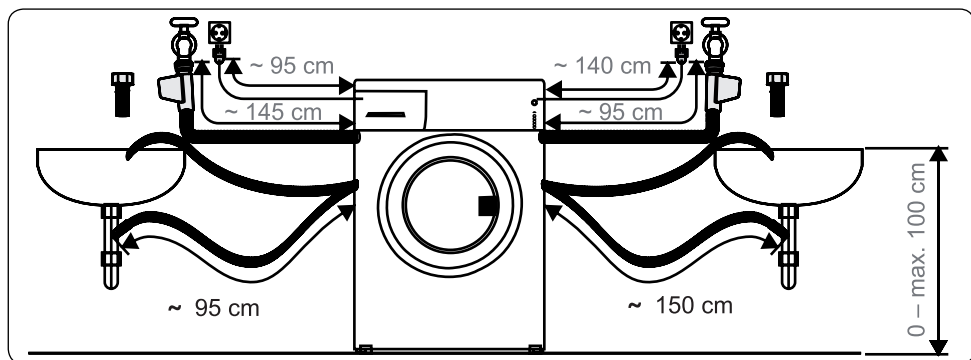
## Električna vezava

- Pralni stroj potrebuje omrežno napetost 220–240 V, 50 Hz.
- Napajalni kabel vašega pralnega stroja je opremljen z ozemljenim vtičem. Ta vtič je treba vedno vstaviti v ozemljeno vtičnico z napetostjo 10 A.
- Če nimate ustrezne vtičnice in ozemljene varovalke, se posvetujte s kvalificiranim električarjem.
- Ne odgovarjamo za škodo, nastalo zaradi priključitve aparata na neozemljeno vtičnico.

**Opomba:** Delovanje pralnega stroja pri nizki napetosti skrajša življenjsko dobo in zmanjša zmogljivost.

## Cev za dovod vode

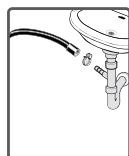
1. Glede na specifikacije pralnega stroja je lahko vaš pralni stroj priključen na dovod hladne vode ali na dovod hladne in tople vode. Cev z belim pokrovom mora biti priključena na dovod hladne vode, cev z rdečim pokrovom pa na dovod vroče vode (če je ta na voljo).
  - Za preprečitev uhajanja vode v spojih sta v paketu s cevjo na voljo 1 ali 2 matici (odvisno od modela vašega pralnega stroja). Matici pritrdite na konec dovodne cevi, ki je priključena na dovod vode.
2. Priključite nove dovodne cevi na vodno pipo z navojem  $\frac{3}{4}$ ".
  - Priključite beli konec dovodne cevi na beli dovodni ventil na zadnji strani pralnega stroja in rdeči konec cevi na rdeči dovodni ventil (če ga uporabljate).
  - Ročno privijte spoje. Če ste v dvomih, se posvetujte s kvalificiranim inštalaterjem.
  - Pretok vode s tlakom 0,1–1 MPa vašemu pralnemu stroju omogoči optimalno učinkovitost (tlak 0,1 MPa pomeni, da skozi popolnoma odprto pipo preteče več kot 8 litrov vode na minuto).
3. Ko vzpostavite vse povezave, vklopite dovod vode in natančno preverite tesnjenje.
4. Prepričajte se, da nove cevi za dovod vode niso preščipnjene, nalomljene, zvite, upognjene ali pomečkane.
  - Če je vaš pralni stroj priključen na dovod vroče vode, temperatura dovoda vroče vode ne sme biti višja od 70 °C.



**Opomba:** Pralni stroj mora biti priključen na vodovod samo z novo dovodno cevjo. Starih cevi ne smete ponovno uporabiti.

### Priključitev odtoka vode

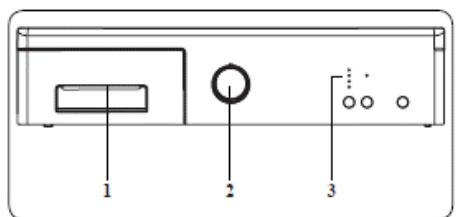
- Priključite odtočno cev na stojalo ali na izhodno koleno pri umivalniku s pomočjo dodatne opreme.
- Nikoli ne poskušajte podaljšati odtočne cevi.
- Cevi za odtok vode iz pralnega stroja ne vstavljajte v posodo, vedro ali banjo.
- Prepričajte se, da odtočna cev ni upognjena, prepognjena, zvita ali podaljšana.
- Odtočna cev se lahko nahaja največ 100 cm nad tlemi.



Slovenščina

### PREGLED NADZORNE PLOŠČE

1. Predal za pralno sredstvo
2. Gumb za izbiro programa
3. Elektronski zaslon in dodatne funkcije



## Predal za pralno sredstvo

1. Pregrada za tekoče pralno sredstvo zagotavlja enakomerno doziranje med pranjem.
2. Posodica za pralno sredstvo
3. Posodica za mehčalec
4. Posodica za pralno sredstvo za predpranje

## Prekati

### Posodica za pralno sredstvo:

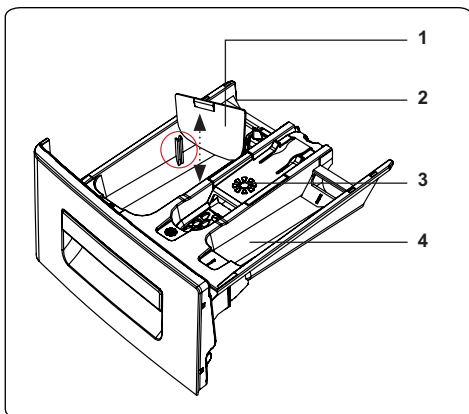
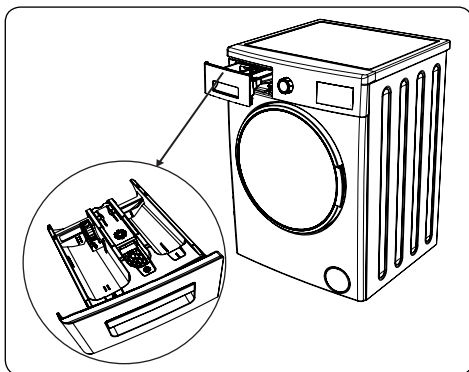
Ta prekat je namenjen za tekoča pralna sredstva ali pralna sredstva v prahu ali za odstranjevalce vodnega kamna.

### Mehčalec, škrob, pralno sredstvo:

Ta prekat je namenjen za mehčalce ali škrob. Sledite navodilom na embalaži. Če mehčalci po uporabi puščajo na perilu sledi, jih poskusite razredčiti ali pa uporabite tekoči mehčalec.

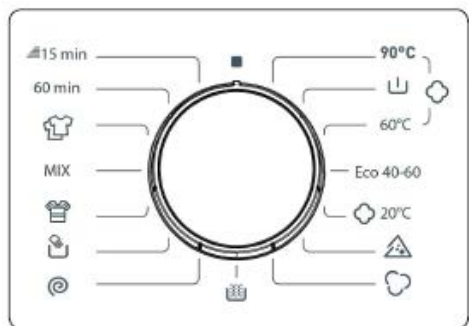
### Posodica za pralno sredstvo za predpranje:

To posodico uporabite le, če ste izbrali funkcijo predpranja. Uporabo funkcije predpranja priporočamo samo za zelo umazano perilo.



## Gumb za izbiro programa

- Za izbor zelenega programa vrtite gumb za izbiro programa v smeri ali v nasprotni smeri urnega kazalca, dokler oznaka na gumbu ne pokaže na zeleni program.
- Prepričajte se, da kaže gumb za izbiro programa natančno na program, ki ga želite izbrati.

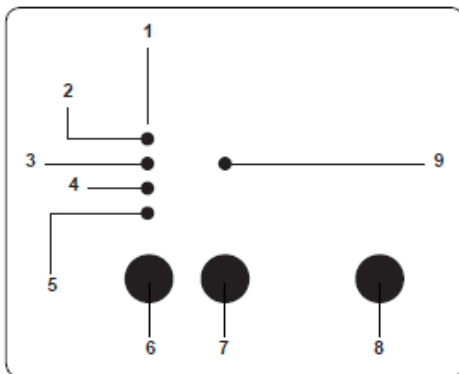


## Elektronski zaslon

1. Nadzorna plošča z zaslonom
2. Indikator delovanja (pranja)
3. Indikator izpiranja
4. Indikator ožemanja
5. Indikator konca programa
6. Tipka dodatne funkcije zakasnitve vklopa
7. Tipka dodatne funkcije hitro pranje
8. Tipka START/PAVZA
9. Kontrolna lučka dodatne funkcije – hitro pranje

Na zaslonu so prikazani časovnik zakasnelega zagona (če je nastavljen), temperatura, vse dodatne funkcije, ki ste jih izbrali, in trenutna faza programa v teku (predpranje / pranje - izpiranje - ožemanje).

Ko je izbrani program končan, se na zaslonu prikaže END (KONEC). Zaslon prikaže tudi, ali je prišlo od okvare pralnega stroja.



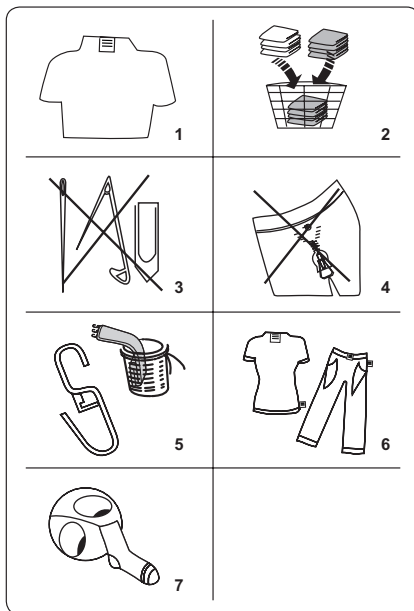
## UPORABA PRALNEGA STROJA

### Priprava perila

1. Sledite navodilom na etiketah na oblačilu.
  - Perilo razdelite glede na vrsto (bombaž, sintetika, občutljivo, volna itd.), temperaturo pranja (hladna, 30°, 40°, 60°, 90°) in stopnjo umazanosti (rahlo umazano, umazano, močno umazano).
2. Nikoli ne perite barvnega in belega perila skupaj.
  - Temne tkanine lahko vsebujejo dodatno barvilo in jih je treba večkrat oprati ločeno.
3. Prepričajte se, da na perilu ali v žepih ni kovinskih predmetov; če so, jih odstranite.

**POZOR:** Garancija ne krije okvar, ki nastanejo kot posledice poškodb s tujim materialom.

4. Zaprite zadrge, vse kaveljčke in zaponke.
5. Odstranite kovinske ali plastične kljukice zaves ali jih položite v pralno mrežo ali vrečko.
6. Tkanine, kot so hlače, pletenine, majice in jopice, obrnite navzven.
7. Nogavice, robce in podobne majhne kose perila perite v zaščitni mrežici.



## Simboli za nego oblačil

 Navadno pranje	 Maksimalna temperatura pranja je 90 °C	 Maksimalna temperatura pranja je 60 °C
 Maksimalna temperatura pranja je 30 °C	 Ročno pranje	 Pranje ni dovoljeno
 Beljenje dovoljeno	 Beljenje ni dovoljeno	 Temperatura likanja je maksimalno 110 °C
 Temperatura likanja je maksimalno 150 °C	 Temperatura likanja je maksimalno 200 °C	 Likanje ni dovoljeno
 Kemično čiščenje dovoljeno	 Kemično čiščenje ni dovoljeno	 Položite na ravno podlago
 Obesite mokro	 Obesite	 Sušenje v sušilnem stroju ni dovoljeno
 Mogoče je čistiti z bencinom, alkoholom in triflortrikloretenom	 Mogoče je čistiti z bencinom, perkloretilenom	 Mogoče je čistiti s perkloretilenom, R11, R113 in bencinom

## Vlaganje perila v pralni stroj

- Odprite vrata stroja.
- Perilo enakomerno razporedite v pralni stroj.

**OPOMBA:** Pazite, da ne prenapolnite bobna, saj bi to lahko vedlo k slabim rezultatom pranja in zmečkanju perila. Informacije o zmogljivosti pralnega stroja najdete v tabeli programov pranja.

Naslednja tabela prikazuje približno težo pogostih vrst perila:

TIP PERILA	TEŽA (g)
Brisača	200
Prevleka	500
Kopalni plašč	1200
Odeja	700
Prevleka za vzglavnik	200
Spodnje perilo	100

- Vložite vsak kos perila posebej.
- Preverite, ali se med gumijasto tesnilo in vrata niso ujeli nobeni predmeti.
- Nežno potisnite vrata, dokler se ne zaskočijo.
- Prepričajte se, da so vrata popolnoma zaprta, sicer se program ne bo zagnal.

## Dodajanje pralnega sredstva v pralni stroj

Količina pralnega sredstva, uporabljena v pralnem stroju, je odvisna od naslednjih kriterijev:

- Če je perilo le rahlo umazano, ga pred pranjem ne umivajte. Vstavite majhno količino pralnega sredstva (v skladu z navodili proizvajalca) v prekat II predala za pralna sredstva.
- Če je perilo preveč umazano, izberite program s funkcijo predpranja in vstavite ¼ pralnega sredstva, ki ga nameravate uporabiti, v prekat I predala za pralno sredstvo, ostalo pa v prekat II.
- V pralnem stroju uporabljajte pralna sredstva, namenjena avtomatskim pralnim strojem. Upoštevajte navodila proizvajalca glede količine pralnega sredstva, ki jo je treba uporabiti.
- Na območjih s trdo vodo je treba uporabiti več pralnega sredstva.
- Količina potrebnega pralnega sredstva se povečuje z večanjem količine perila.
- V srednji prostor predala za pralna sredstva vstavite mehčalec. Ne preokrajšite oznake MAX.
- Gosti mehčalci lahko povzročijo zamašitev predala, zato jih je treba razredčiti.
- Tekoča pralna sredstva lahko uporabite v vseh programih brez predpranja. V tem primeru vstavite merilnik nivoja tekočega pralnega sredstva v reže v prekatu II predala za pralno sredstvo. Črtice na merilni palici uporabite kot vodilo za polnjenje predala na želeno raven.

## Uporaba pralnega stroja

1. Priključite pralni stroj na električno omrežje.
  2. Vključite dovod vode.
- Odprite vrata stroja.
  - Perilo enakomerno razporedite v pralni stroj.
  - Nežno potisnite vrata, dokler se ne zaskočijo.

## Izbor programa

Uporabite tabelo programov in izberite najprimernejši program za vaše perilo.

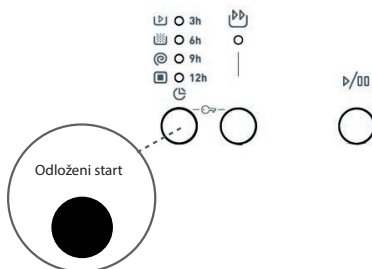
## Sistem zaznave polovične napolnitve

Vaš pralni stroj ima funkcijo zaznave polovične napolnitve.

Če v pralni stroj vstavite manj kot polovico največje možne količine perila, bo samodejno nastavljen funkcijo polovične napolnitve ne glede na izbrani program. To pomeni, da dokončanje izbranega programa traja manj časa in porabi se manj vode in energije.

## Časovnik zakasnelega vklopa

- Enkrat pritisnite tipko za zakasnitev vklopa.
- Prižge se kontrolna lučka »3h«.
- Pritiskajte tipko Zakasnitev vklopa, dokler ne zasveti kontrolna lučka z želeno nastavitvijo zakasnelega vklopa (3, 6, 9 ali 12 ur).
- Če ste preskočili čas zakasnitve vklopa, ki ga želite nastaviti, nadaljujte s pritiskanjem tipke za zakasnitev vklopa, dokler se znova ne prikaže zeleni čas.
- Izbrani čas zakasnitve aktivirajte s pritiskom na katero koli tipko dodatne funkcije (razen tipke Start / Pavza).
- Za začetek odštevanja do zakasnelega vklopa pritisnite tipko START / PAVZA.



- Če želite funkcijo zakasnitve vklopa preklicati, potem ko ste jo nastavili, enkrat pritisnite tipko Zakasnitev vklopa. Kontrolna lučka zakasnitve vklopa ugasne.
- Za dodajanje / jemanje perila, ko je aktivna funkcija zakasnitve vklopa, morate pritisniti tipko Start / Pavza. Po dodajanju / jemanju perila morate znova pritisniti tipko Start / Pavza, da aktivirate funkcijo zakasnitve vklopa.

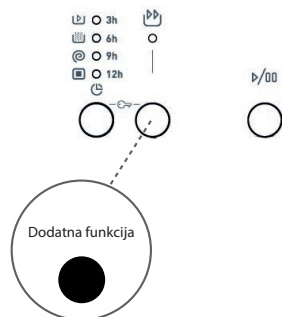
## Hitro pranje: dodatna funkcija

Z uporabo te funkcije lahko perilo operete v krajšem času in tako porabite manj energije in vode.

To možnost priporočamo samo v primeru, da za izbrani program perete manj kot polovico največje napolnitve suhega perila.

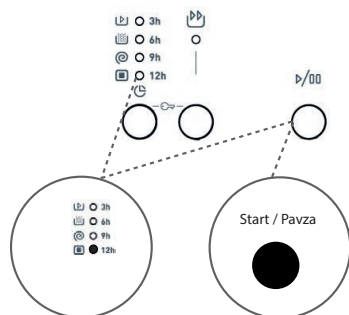
To funkcijo izberite s pritiskom na tipko Hitro pranje. Zasveti kontrolna lučka za hitro pranje.

**OPOMBA:** Če v pralni stroj vstavite manj kot polovico največje možne količine perila, bo pralni stroj samodejno nastavljal funkcijo polovične napolnitve ne glede na izbrani program. To pomeni, da dokončanje izbranega programa traja manj časa in porabi se manj vode in energije. Če vaš pralni stroj zazna polovico napolnitve, se na zaslonu samodejno prikaže simbol Hitro pranje.



## Tipka Start/Pavza

Če želite zagnati izbrani program, pritisnite gumb Start / Pavza. Zasveti indikator delovanja (pranja).



## Varovalo za otroke

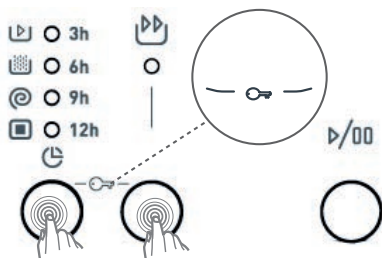
Funkcija Varovalo za otroke omogoča zaklepanje gumbov, tako da izbranega cikla pranja ni mogoče nenamerno spremeniti.

Če želite aktivirati varovalo za otroke, hkrati pritisnite in držite tipke za dodatne funkcije vsaj 3 sekunde. Pri aktivni funkciji Varovalo za otroke bo na zaslonu svetila kontrolna lučka dodatne funkcije.

Če pritisnete katero koli tipko ali spremenite program z gumbom za izbiro programa medtem, ko je varovalo za otroke aktivirano, na zaslonu začne utripati kontrolna lučka za dodatne funkcije.

Če pralni stroj že pere, varovalo za otroke je aktivirano, vi pa poskusite spremeniti program z vrtenjem gumba za izbor programa v položaj »0« in nato na želeni program, bo pralni stroj brez sprememb nadaljeval s pranjem.

Če želite deaktivirati varovalo za otroke, hkrati pritisnite in držite tipke za dodatne funkcije vsaj 3 sekunde.



## Ukinitev programa

**Izbrani program lahko kadar koli prekinete:**

1. Gumb za izbiro programa preklpite v položaj »0«.









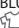
2. Pralni stroj ustavi cikel pranja in program se prekine.
3. Z zasukom gumba za izbiro PROGRAMA na kateri koli drug program izpustite vodo iz pralnega stroja.
4. Vaš pralni stroj bo izpraznil potrebno vodo in preklical program.  
Zdaj lahko izberete in zaženete novi program.

## Konec programa

Vaš pralni stroj se bo sam ustavil takoj, ko se izbrani program konča.

- Na plošči sveti kontrolna lučka konca programa.
- Lahko odprete vrata pralnega stroja in odstranite perilo.
- Vrata pralnega stroja pustite odprta, da se lahko notranjost pralnega stroja posuši.
- Gumb za izbiro programa preklonite v položaj »0«.
- Pralni stroj izključite iz omrežja.
- Zaprite dovod vode.

## TABELA PROGRAMOV

Program	Temperatura (°C)	Maksimalna kapaciteta suhega perila (kg)	Predalček	Dolžina (minut)	Tip perila / opis
BOMBAŽ 90°	90	5,0	2	176	Zelo umazano, bombažno in laneno perilo. (Spodnje perilo, prevleke, prti, brisače (največ 2,5 kg), posteljnina itd.)
Predpranje – Bombaž	60	5,0	1+2	156	Umazan bombaž in laneni tekstil. (Spodnje perilo, prevleke, prti, brisače (največ 2,5 kg), posteljnina itd.)
BOMBAŽ 60 °C	60	5,0	2	190	Umazan bombaž in laneni tekstil. (Spodnje perilo, prevleke, prti, brisače (največ 2,5 kg), posteljnina itd.)
ECO 40–60	40	5,0	2	180	Umazan bombaž in laneni tekstil. (Spodnje perilo, prevleke, prti, brisače (največ 2,5 kg), posteljnina itd.)
BOMBAŽ 20 °C	20	2,5	2	96	Manj umazan bombažni in laneni tekstil. (Spodnje perilo, prevleke, prti, brisače (max. 2 kg), posteljnina itd.)
Sintetično 	40	3,0	2	110	Zelo umazan ali sintetičen tekstil. (Najlonske nogavice, majice, bluze, sintetične mešanice itd.)
VOLNA 	30	2,0	2	39	Volneno perilo z etiketo pralno v pralnem stroju.
IZPIRANJE 	--	5,0	--	36	Nadaljnje izpiranje katere koli vrste perila po pranju.
OŽEMANJE 	--	5,0	--	15	Nadaljnje ožemanje katere koli vrste perila po pranju.
NEŽNO / ROČNO PRANJE 	30	2,0	2	90	Perilo, za katerega je priporočljivo ročno pranje ali občutljivo perilo.
BARVE 40 °C 	40	3,0	2	180	Manj umazan bombažni in laneni tekstil. (Spodnje perilo, prevleke, prti, brisače (max. 2 kg), posteljnina itd.)
MEŠANO MIX	30	3,0	2	81	Umazan bombaž, sintetični, barvni in platneni tekstil lahko perete skupaj.
BLUZE / MAJICE 	60	3,0	2	107	Umazan bombaž, sintetično in sintetične mešanice, majice, bluze lahko perete skupaj.
HITRO 60 min.	60	2,0	2	60	Umazane, bombažne, barvne in lanene tkanine prane 60 minut pri 60 °C.
HITRO 15 min.*	30	2,0	2	15	Rahlo umazano bombažni, laneni in barvni tekstil.

\* Glede na kratek čas trajanja pranja konkretnega programa pranja, priporočamo uporabo manjše količine pralnega sredstva. Če pralni stroj zazna neenakomerno obremenitev, lahko program traja dlje kot 15 minut. Vrata pralnega stroja lahko odprete 2 minuti po končanem pralnem ciklu. (To dvominutno obdobje ni vključeno v trajanje programa).

**OPOMBA:** TRAJANJE PROGRAMA SE LAHKO SPREMENI V ODVISNOSTI OD KOLIČINE PERILA, VRSTI VODE, OKOLNE TEMPERATURIE IN IZBRANIH DODATNIH FUNKCIJ.

- Če v pralni stroj naložite 2 kg perila ali manj, pralni stroj zažene samodejni cikel, ki traja 30 minut.
- Glede na kratek čas trajanja pranja konkretnega programa pranja, priporočamo uporabo manjše količine pralnega sredstva. Če pralni stroj zazna neenakomerno obremenitev, lahko program traja dlje kot 15 minut. Vrata pralnega stroja lahko odprete 2 minuti po končanem pralnem ciklu. (To dvominutno obdobje ni vključeno v trajanje programa).
- V skladu z uredbo 1015/2010 in 1061/2010 je program 3 z nastavitvami temperature »Standardni program za bombaž pri 60 °C« in »Standardni program za bombaž pri 40 °C«.
- Program Eco 40–60 zmore skupaj v istem ciklu očistiti običajno umazano bombažno perilo s priporočeno temperaturo pranja 40 °C ali 60 °C in se uporablja v skladu s pravnimi predpisi EU o ekodizajnu.
- Najbolj energetsko učinkoviti programi so praviloma programi, ki perejo dlje pri nižjih temperaturah.
- Z napolnitvijo gospodinjanskega pralnega stroja do kapacitete, ki jo je za ustrezne programe določil proizvajalec, prispevate k prihrankom energije in vode.
- Čas trajanja programa, poraba energije in vrednosti porabe vode se lahko razlikujejo glede na težo in vrsto perila, izbrane dodatne funkcije, vrsto vode in temperaturo okolice.
- Pri programih pranja, ki perejo pri nizkih temperaturah, je priporočljivo uporabljati tekoče pralno sredstvo. Količina pralnega sredstva je odvisna od količine perila in stopnje umazanosti. Ravnajte se po priporočilih proizvajalca pralnega sredstva glede uporabljene količine.
- Hitrost ožemanja vpliva na hrup in preostanek vsebnosti vlage. Večja kot je hitrost ožemanja v fazi centrifugiranja, večji je hrup in manjši je preostanek vsebnosti vlage.
- Do baze podatkov o izdelkih, kjer so shranjene informacije o modelu, lahko dostopate tako, da skenirate QR kodo na energijski nalepki.

## Pomembne informacije

- Uporabljajte le pralna sredstva, mehčalce in dodatke, ki so namenjeni avtomatskim pralnim strojem. Prišlo je do prekomernega penjenja in aktiviral se je sistem samodejnega vpijanja pene zaradi uporabe prevelike količine pralnega sredstva.
- Priporočamo redno čiščenje pralnega stroja vsaka 2 meseca. Za redno čiščenje uporabljajte program Drum Clean (čiščenje bobna). Če vaš pralni stroj nima programa Drum Clean, uporabite program Cotton 90. Po potrebi uporabite samo primerna sredstva za odstranjevanje vodnega kamna, razvita posebej za pralne stroje.
- Nikoli ne odpirajte vrat, ko pralni stroj deluje. Vrata pralnega stroja lahko odprete 2 minuti po končanem pralnem ciklu.
- Montažna in popravilna dela mora vedno opraviti predstavnik pooblaščenega servisa, da ne pride do morebitnih tveganj. Proizvajalec ne odgovarja za škodo, ki bi lahko nastala med procesi, ki jih izvajajo neupooblaščen osebe.

## ČIŠČENJE IN VZDRŽEVANJE

### Svarilo

**Pred en začnete z vzdrževanjem in čiščenjem, izklopite aparat in izključite napajalni kabel iz vtičnice. Pred začetkom vzdrževanja in čiščenja pralnega stroja zaprite dovod vode.**

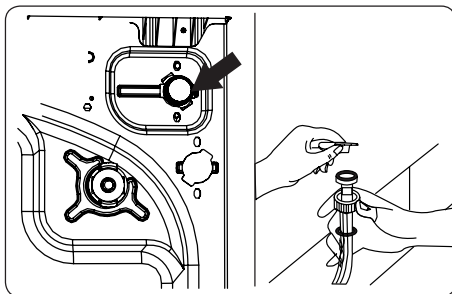
**Za čiščenje pralnega stroja ne uporabljajte raztopil, abrazivnih čistil, čistil za steklo ali univerzalnih čistilnih sredstev. Kemikalije, ki jih vsebujejo, lahko poškodujejo plastične površine aparata in druge sestavne dele.**

## Filtri za dovod vode

Filtri za dovod vode preprečujejo vdor umazanije in tujkov v pralni stroj.

Priporočamo očistiti filtre takoj, ko v pralni stroj ne priteka dovolj vode, čeprav je dovod vode vklopljen in je pipa odprta. Priporočamo čiščenje filtrov za dovod vode vsaka 2 meseca.

- Odvijte dovodno cev (cevi) iz pralnega stroja.
- Za odstranitev filtra za dovod vode iz polnilnega ventila uporabite dolge kleščice in previdno odstranite plastično palčko na filtru.
- Drugi filter za dovod vode je nameščen na koncu dovodne cevi, ki vodi v pipo. Za odstranitev drugega filtra za dovod vode uporabite dolge kleščice in previdno odstranite plastično palčko na filtru.
- Filter temeljito očistite z mehko krtačo, operite z milnico in temeljito sperite. Filter z nežnim pritiskom vložite nazaj na svoje mesto.



**POZOR:** Filtri na dovodnem ventilu se lahko zamašijo zaradi slabe kakovosti vode ali slabega vzdrževanja in se lahko poškodujejo. To lahko povzroči uhajanje vode. Takšnih napak garancija ne krije.

## Filter črpalke

Sistem filtracije črpalke v vašem pralnem stroju podaljšuje življenjsko dobo črpalke s tem, da preprečuje vstop umazanije v pralni stroj. Priporočamo čiščenje filtra črpalke vsaka 2 meseca.

Filter črpalke se nahaja za pokrovom v spodnjem desnem sprednjem kotu.

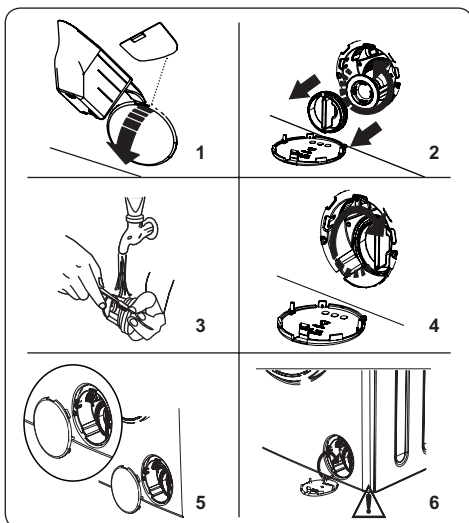
Čiščenje filtra črpalke:

1. Odprite pokrov. Lahko uporabite pregrado za tekoče pralno sredstvo, glej sliko.
2. Vstavite konec merilne skodelice ali merilnika nivoja tekočega pralnega sredstva v odprtino pokrova in ga nežno potisnite nazaj. Pokrov se odpre.
3. Pred samim odpiranjem namestite pod pokrov filtra posodo, ki bo ujela vso vodo, ki je ostala v pralnem stroju.
4. Sprostite filter tako, da ga zasučite v nasprotni smeri urnega kazalca in ga povlecite, da ga odstranite. Počakajte, da voda odteče.

**OPOMBA:** Odvisno od količine vode v pralnem stroju bo verjetno treba večkrat izprazniti zbirno posodo za vodo.

5. Z mehko krtačo odstranite iz filtra vse tujke.
6. Po čiščenju ponovno namestite filter in ga pritrdite z zasukom v smeri urnega kazalca.
7. Pri zapiranju pokrova filtra se prepričajte, da se nosilci znotraj pokrova prilegajo luknjam na strani sprednje plošče.
8. Zaprite pokrov filtra.

**SVARILO:** Voda v črpalci je lahko vroča, pred čiščenjem ali vzdrževanjem počakajte, da se ohladi.

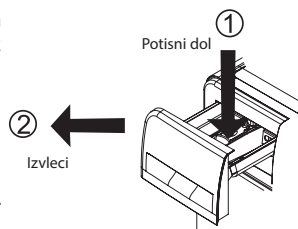


## Predal za pralno sredstvo

Uporaba pralnega sredstva lahko sčasoma povzroči usedline v predalu za pralno sredstvo. Priporočamo, da predal vzamete iz pralnega stroja vsaka 2 meseca in očistite nakopičene ostanke.

Odstranitev predala za pralno sredstvo:

- Predal povlecite naprej tako, da je povsem iztegnjen.
- Previdno pritisnite na predal (glej sliko spodaj) in ga izvlecite.
- Očistite predal z vodo in mehko krtačo.
- Če je v predalu ostala umazanija, jo odstranite z mehko krtačo. Poskrbite, da nobena umazanija ne pride v pralni stroj.
- Predal temeljito posušite in potisnite nazaj.
- **Ne pomivajte predala za pralno sredstvo v pomivalnem stroju.**



## Čep za izpiranje / telo / boben

### 1. Čep za izpiranje

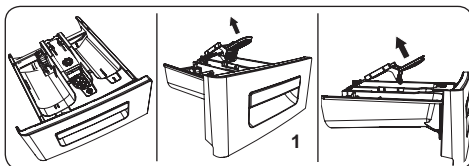
Odstranite predal za pralno sredstvo in demontirajte čep za izpiranje. Temeljito odstranite vse ostanke mehčalca. Po čiščenju ponovno vstavite čep za izpiranje in preverite, ali je pravilno nameščen.

### 2. Telo

Za čiščenje zunanega ohišja uporabite blago neabrazivno čistilno sredstvo ali milo in vodo. Obrišite do suhega z mehko krpo.

### 3. Boben

V pralnem stroju ne puščajte kovinskih predmetov, kot so igle, sponke, kovanci itd. Ti predmeti povzročajo rjo na bobnu. Za čiščenje rje uporabite čistilno sredstvo brez klora in sledite navodilom proizvajalca čistilnega sredstva. Nikoli ne uporabljajte žične gobice ali podobnih trdih predmetov za čiščenje madežev rje.



## REŠEVANJE TEŽAV

Popravilo pralnega stroja mora izvesti pooblaščen servisna družba. Če je treba pralni stroj popraviti ali če težave ne morete odpraviti s pomočjo spodnjih navodil, morate:

- Izključite stroj iz napajanja.
- Zaprite dovod vode.

NAPAKA	MOŽEN VZROK	REŠITEV TEŽAVE
Pralni stroj se ne vklopi.	Pralni stroj ni priključen na električno omrežje.	Priključite pralni stroj na električno omrežje.
	Varovalke so okvarjene.	Zamenjajte varovalke.
	Ni električnega napajanja.	Preverite električno napetost.
	Gumb START/PAVZA ni bil pritisnjen.	Pritisnite gumb Start/Pavza
	Položaj gumba za izbiro programa »stop«.	Gumb za izbiro programa obrnite v položaj zelenega programa.
	Vrata pralnega stroja niso popolnoma zaprta.	Vrata pralnega stroja zaprite.

NAPAKA	MOŽEN VZROK	REŠITEV TEŽAVE
Pralni stroj se ne polni z vodo.	Vodna pipa je zaprta.	Odprite vodno pipo.
	Cev za dovod vode je lahko zvita.	Preverite dovodno cev in jo odvijte.
	Cev za dovod vode je zamašena.	Očistite filter dovodne cevi. (*)
	Dovodni filter je zamašen.	Očistite filtre za dovod vode. (*)
	Vrata pralnega stroja niso popolnoma zaprta.	Vrata pralnega stroja zaprite.
Pralni stroj ne izpušča vode.	Odtočna cev je zamašena ali zvita.	Preverite odtočno cev in jo nato očistite ali odvijte.
	Filter črpalke je zamašen.	Očistite filter črpalke. (*)
	Perilo je v bobnu preveč natlačeno.	Perilo enakomerno razporedite v pralni stroj.
Pralni stroj vibrira.	Noge niso bile nastavljene.	Nastavite noge. (**)
	Transportni vijaki niso bili odstranjeni.	Odstranite transportne vijake iz pralnega stroja. (**)
	Majhna obremenitev v bobnu.	Ne prepreči delovanja pralnega stroja.
	Pralni stroj je preobremenjen s perilom ali pa je perilo neenakomerno razporejeno.	Ne preobremenjujte bobna. V bobnu enakomerno razporedite perilo.
	Pralni stroj je postavljen na trdo podlago.	Pralnega stroja ne postavljajte na trdo podlago.
V predalu za pralna sredstva nastane prevelika količina pene.	Uporabljena je bila prevelika količina pralnega sredstva.	Pritisnite gumb Start/Pavza Če želite ustaviti penjenje, razredčite eno jušno žličo mehčalca v 1/2 vode in vlijte v predal za pralna sredstva. Po 5–10 minutah pritisnite na tipko Start/Pavza.
	Uporabljeno je bilo neprimerno pralno sredstvo.	V pralnem stroju uporabljajte samo pralna sredstva, narejena za avtomatske pralne stroje.
Nezadovoljiv rezultat pranja.	Vaše perilo je za izbrani program preveč umazano.	S pomočjo informacij v tabeli programov izberite najprimernejši program.
	Uporabljena je bila premajhna količina pralnega sredstva.	Uporabite pravilno količino pralnega sredstva v skladu z navodili na embalaži.
	V pralnem stroju je preveč perila.	Preverite, ali ni bila presežena največja zmogljivost za izbrani program.
	Trda voda.	V skladu z navodili proizvajalca povečajte količino pralnega sredstva.
	Perilo je v bobnu preveč natlačeno.	Preverite, ali je perilo v bobnu enakomerno razporejeno.



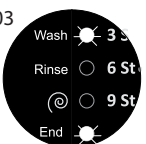
NAPAKA	MOŽEN VZROK	REŠITEV TEŽAVE
Takoj, ko se pralni stroj napolni z vodo, voda odteče.	Konec odtočne cevi je za pralni stroj prenizek.	Preverite, ali je odtočna cev na ustrezni višini. (**).
Med pranjem se v bobnu ni pojavila voda.	Brez napake. Voda se nahaja v delu bobna, ki ni viden.	
Na perilu so ostanki pralnega sredstva.	Netopni delci nekaterih pralnih sredstev se lahko na perilu pojavijo kot bele lise.	Po sušenju perilo ponovno sperite ali ga očistite s ščetko.
Na perilu se pojavijo sive lise.	Na vašem perilu je neobdelano olje, krema ali mazilo.	Pri naslednjem pranju uporabite pravilno količino pralnega sredstva v skladu z navodili na embalaži.
Cikel ožemanja ne poteka ali poteka pozneje, kot je bilo pričakovano.	Brez napake. Aktiviran je bil sistem neuravnotežene obremenitve.	Sistem zaznavanja neuravnotežene obremenitve bo poskušal perilo enakomerno porazdeliti po bobnu. Ožemanje se začne takoj, ko se perilo prerazporedi. Pri naslednjem pranju razporedite perilo po bobnu enakomerno.


(\*) Glej poglavje o vzdrževanju in čiščenju pralnega stroja.

(\*\*) Glej poglavje o namestitvi pralnega stroja.

## Kode napak in njihove rešitve

Pralni stroj je opremljen z vgrajenim sistemom za odkrivanje napak. Napake so označene s kombinacijo osvetljenih kontrolnih lučk. Najpogostejše kode napak so navedene spodaj.

KODE NAPAK	VZROK	POPRAVILO
E01 	Vrata pralnega stroja niso pravilno zaprta.	Pravilno zaprite vrata, dokler ne zaslišite klika. Če vaš pralni stroj še vedno javlja napako, ga izklopite, izključite in takoj pokličite najbližji pooblaščen servis.
E02 	Nezadosten tlak vode ali nizek nivo vode v pralnem stroju.	Preverite, ali je pipa povsem odprta. Dovod vode je lahko izklopljen. Če problem ostaja, se bo pralni stroj čez trenutek samodejno ustavil. Pralni stroj izključite, zaprite pipo za vodo in se obrnite na najbližji pooblaščen servis.
E03 	Okvara črpalke, zamašen filter črpalke ali pokvarjen električni priključek črpalke.	Očistite filter črpalke. Če težava še traja, pokličite najbližji pooblaščen servis. (*)

KODE NAPAK	VZROK	POPRAVILO
E04 	V pralnem stroju je prevelika količina vode.	Pralni stroj sam odvaja vodo. Takoj, ko voda odteče, pralni stroj izklopite in izključite. Zaprite pipo za vodo in se obrnite na najbližji pooblaščen servis.

(\*) Glej poglavje o vzdrževanju in čiščenju pralnega stroja.

## TEHNIČNI PODATKI

	EFW 1053 MD
Vgradni aparat	Ne
Maksimalna polnitev (suho perilo) kg	5
Dimenzije (V x Š x G) [mm]	845 x 597 x 497
Nazivna napetost	220–240 V ~ 50 Hz
Moč	2100 W
Varovalka	10 A
Tlak vode (MPA) MIN/MAKS	0,1 MPA/ 1 MPA

## IZKORIŠČANJE IN ODSTRANITEV ODPADKOV

Embalažni papir in karton – oddajte v zbirni center za ločevanje odpadkov. Folija, plastične vrečke, plastični deli – v ločevalne zbiralnike za plastiko.

## ODSTRANJEVANJE IZDELKA NA KONCU ŽIVLJENJSKE DOBE

**Odstranjevanje starih električnih in elektronskih naprav (velja v državah članicah EU in drugih evropskih državah, kjer velja zakon o ločevanju odpadkov)**

Prikazan simbol na izdelku ali embalaži pomeni, da naj se z izdelkom ne ravna kot z gospodinjstvi odpadki. Izdelek izročite v zbirno mesto namenjeno za reciklažo električnih in elektronskih naprav. S pravilno odstranitvijo izdelka preprečite negativne vplive na človeško zdravje in življenjsko okolje. Reciklaža materialov pripomore k zaščiti naravnih virov. Več informacij glede reciklaže tega izdelka dobite na lokalnem uradu, podjetju, ki se ukvarja s predelavo odpadkov ali pa v prodajalni, kjer ste kupili izdelek.

Ta izdelek izpolnjuje zahteve direktive EU o elektromagnetni združljivosti in električni varnosti. Ta izdelek izpolnjuje zahteve glede problematike težkih kovin v električni opremi.

Navodila za uporabo so na razpolago na spletnih straneh [www.ecg-electro.eu](http://www.ecg-electro.eu). Pridružujemo si pravico do spremembe besedila in tehničnih parametrov.



08/05



# www.ecg-electro.eu

## Deutsch

K+B Progres, a.s./AG.  
Barbaraweg 2, DE-93413 Cham  
Bei Beschwerden rufen Sie die Telefonnummer  
09971/4000-6080 an. (Mo – Fr 9:00 – 16:00)

## Čeština

K+B Progres, a.s.  
U Expertu 91  
250 69 Klíčany tel.: +420 272 122 111  
e-mail: ECG@kbexpert.cz

## Eesti keel

K+B Progres, a.s.  
U Expertu 91 tel.: +420 272 122 111  
250 69 Klíčany, Czech Rep. e-post: ECG@kbexpert.cz

## Hrvatski

K+B Progres, a.s.  
U Expertu 91 tel.: +420 272 122 111  
250 69 Klíčany, Czech Rep. e-mail: informacije@kbprogres.cz

## Bosanski

K+B Progres, a.s.  
U Expertu 91 tel.: +420 272 122 111  
250 69 Klíčany, Czech Rep. e-mail: informacije@kbprogres.cz

## Latviešu valoda

K+B Progres, a.s.  
U Expertu 91 tel.: +420 272 122 111  
250 69 Klíčany, Czech Rep. e-pasts: ECG@kbexpert.cz

## Lietuvių kalba

K+B Progres, a.s.  
U Expertu 91 tel.: +420 272 122 111  
250 69 Klíčany, Czech Rep. el. paštas: ECG@kbexpert.cz

## Magyar

K+B Progres, a.s.  
U Expertu 91 tel.: +420 272 122 111  
250 69 Klíčany, Czech Rep. e-mail: ECG@kbexpert.cz

## Polski

K+B Progres, a.s.  
U Expertu 91 tel.: +420 272 122 111  
250 69 Klíčany, Czech Rep. e-mail: ECG@kbexpert.cz

## Slovenčina

Distribútor pre SR: K+B Progres, a. s., organizačná zložka  
Mlynské Nivy 71  
821 05 Bratislava e-mail: ECG@kbexpert.cz

## Slovenščina

K+B Progres, a.s.  
U Expertu 91 tel.: +420 272 122 111  
250 69 Klíčany, Czech Rep. e-mail: informacije@kbprogres.cz

■ The manufacturer takes no responsibility for printing errors contained in the product's user's manual. ■ Der Importeur haftet nicht für Druckfehler in der Bedienungsanleitung des Produkts. ■ Výrobce neručí za tiskové chyby obsažené v návodu k použití výrobku. ■ Tootja ei vastuta toote kasutusjuhendis leiduvate trükkivigade eest. ■ Proizvodač ne snosi odgovornost za tiskarske greške u uputama. ■ Ražotājs neuzņemas atbildību par drukas kļūdām ierīces rokasgrāmatā. ■ Gamintojas neapsiima atsakomybės dėl spausdinimo klaidų, pasitaikančių gaminio naudotojo vadove. ■ A gyártó nem felel a termék használati útmutatójában fellelhető nyomdahibáért. ■ Producent nie ponosi odpowiedzialności za błędy drukarskie w instrukcji obsługi produktu. ■ Dovozač neručí za tlačové chyby obsiahnuté v návode na použitie výrobku. ■ Proizvajalec ne jamči za morebitne tiskovne napake v navodilih za uporabo izdelka.