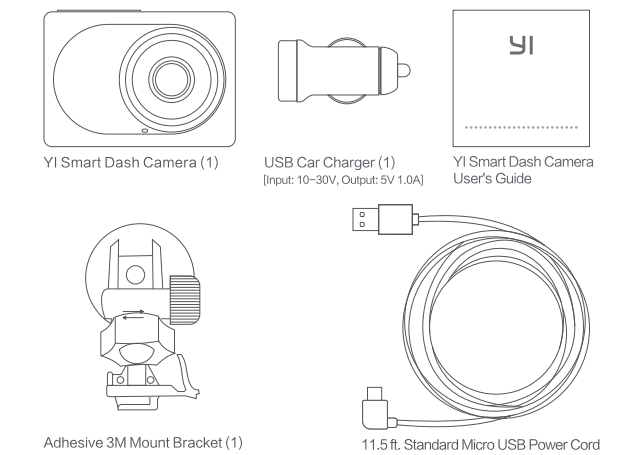


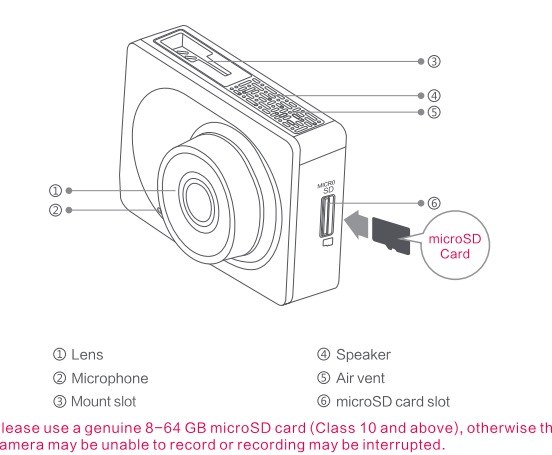


### YI Smart Dash Camera User's Guide

#### 1. Basic Configuration

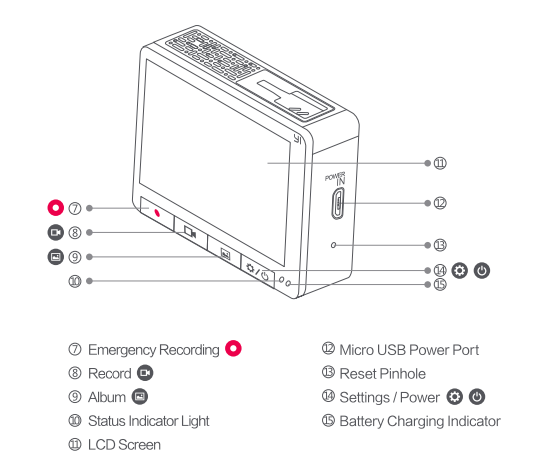


#### 2. Camera Components

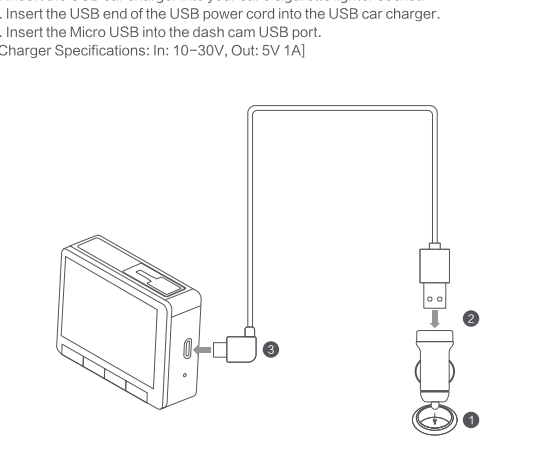


Please use a genuine 8-64 GB microSD card (Class 10 and above), otherwise the camera may be unable to record or recording may be interrupted.

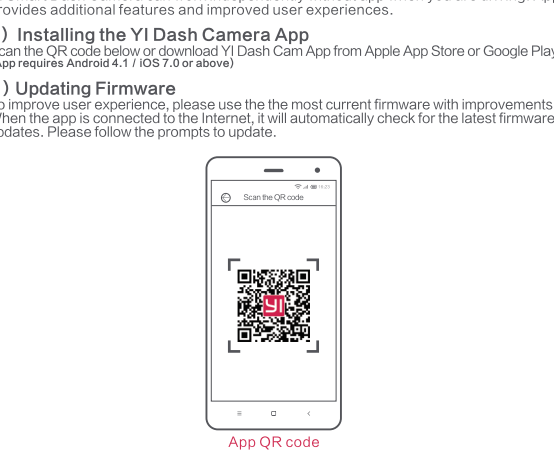
#### 3. Charging the Camera



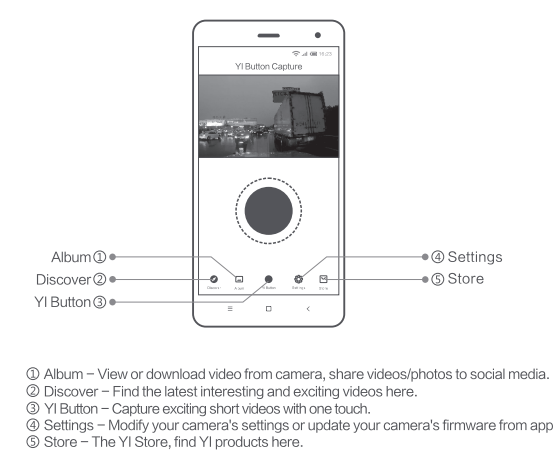
#### 4. YI Smart Dash Camera and Mobile Phone Connections



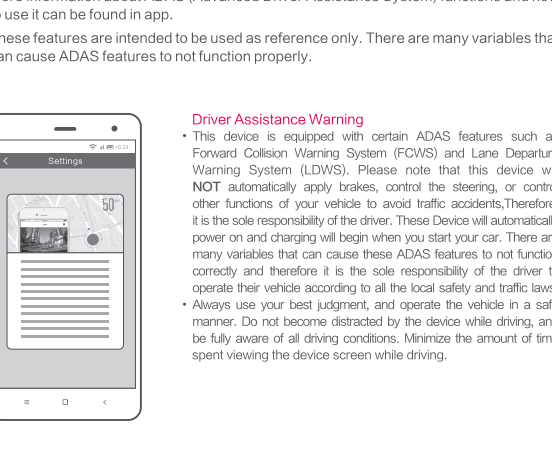
#### 5. YI Smart Dash Camera and Mobile Phone Connections



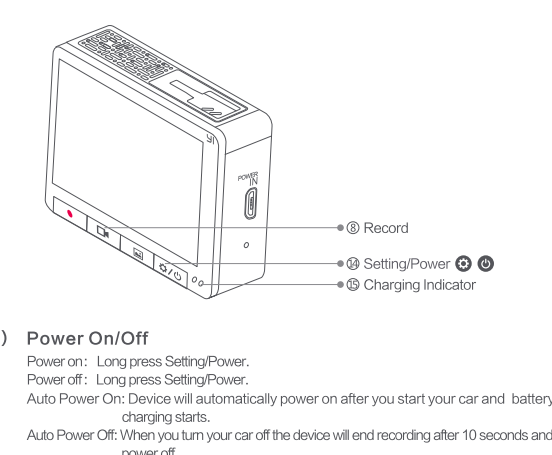
#### 6. YI Smart Dash Camera and Mobile Phone Connections



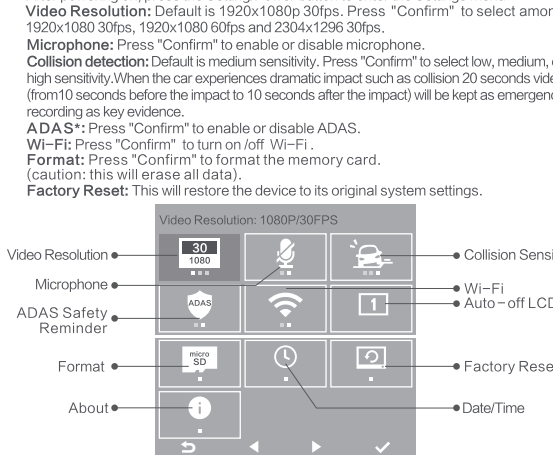
#### 7. YI Smart Dash Camera and Mobile Phone Connections



#### 8. YI Smart Dash Camera and Mobile Phone Connections



#### 9. YI Smart Dash Camera and Mobile Phone Connections



#### 3) Emergency Recording

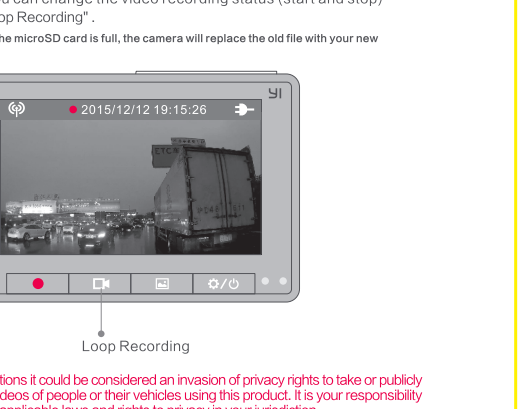
- Press "Confirm" to enable or disable the emergency recording feature.
- Enable emergency recording by pressing the indicator button as shown below.



Warning: Verify you have inserted a microSD card to save recordings.

#### 4) Loop Recording

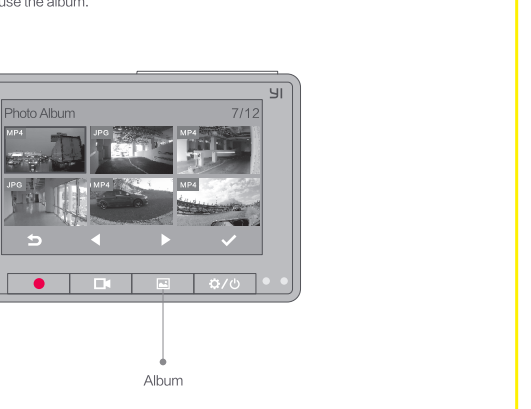
Loop recording and charging will automatically begin after you start your car. A red dot will flash on the top of the screen and the "Status Indicator Light" will stay on. You can change the video recording status (start and stop) by pressing "Loop Recording".



Warning: In some jurisdictions it could be considered an invasion of privacy rights to take or publicly display photographs or videos of people or vehicles without their consent. It is your responsibility to know and comply with applicable laws and rights to privacy in your jurisdiction.

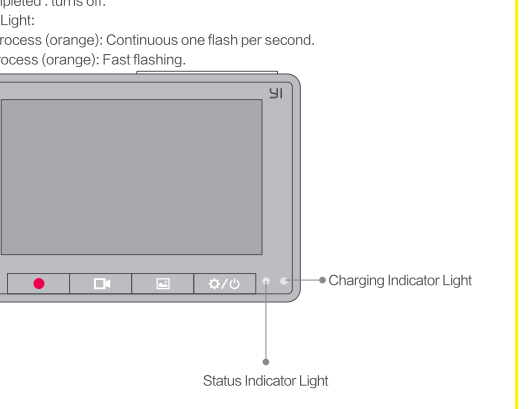
#### 5) Album

Press "Album" to review recordings. Use the arrows to review the previous or next video/photo. Select "Confirm" to start photo/video playback. During playback, use "Confirm" to pause the album.

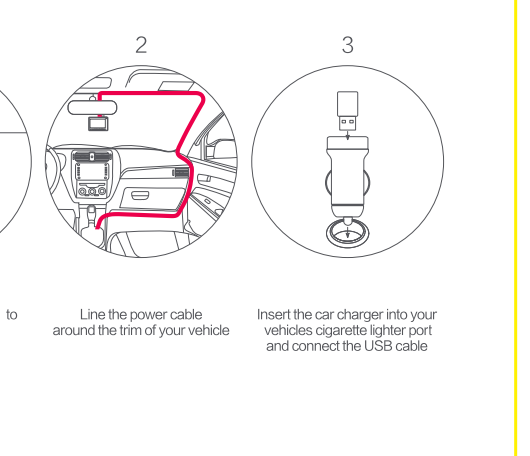


#### 6) Indicator Lights

Charging Indicator Light:  
1. Charging in process (red): Constant light.  
2. Charging completed: Turns off.  
Status Indicator Light:  
1. Recording in process (orange): Continuous one flash per second.  
2. Updating in process (orange): Fast flashing.



#### 6. Wiring Installation Diagram



#### 7. YI Smart Dash Camera Basic Parameters

- Maximum resolution: 2304 x 1296
- Video resolution: 1296p 30fps/1080p 60fps/1080p 30fps
- FOV(D) 165°, F1.8 ultra-wide-angle glass optical lens
- Sound: built-in microphone / speaker
- Video compression: H.264 encoding, MP4 format
- New generation WDR 2.0
- Storage: 8 - 64GB Class 10 or above with FAT32 format
- Weight: 2.6 ounces
- 2.7" Graphic 960 x 240 dot-matrix delta type TFT LCD
- Wi-Fi supports single band 2.4GHz and 802.11n standard
- Smartphone platform support: Android 4.1 / iOS 7.0 or above
- WPA2 wireless encryption
- Power cord: 11.5 ft length
- Power source: USB Car Charger, Input: 10V-30V, Output: 5V/1A max.

#### 8. Safe Driving Declaration

This product features an ADAS (Advanced Driver Assistance System), including Forward Collision Warning and Lane Departure Warning. After it is turned on, the ADAS will display some of the driving data, to help the driver understand current driving conditions. However, you should continue to observe the road conditions, obey traffic regulations and drive carefully. The use of this product will not prevent accidents. The products, apps, functions and screens etc mentioned in this guide may have been improved after the product has gone on sale. If you encounter inconsistencies during the actual use of the product and related apps, please refer to the instructions on the YI official website. This guide should not be taken independently from other instructions.

#### 8. Safe Driving Declaration

This product features an ADAS (Advanced Driver Assistance System), including Forward Collision Warning and Lane Departure Warning. After it is turned on, the ADAS will display some of the driving data, to help the driver understand current driving conditions. However, you should continue to observe the road conditions, obey traffic regulations and drive carefully. The use of this product will not prevent accidents. The products, apps, functions and screens etc mentioned in this guide may have been improved after the product has gone on sale. If you encounter inconsistencies during the actual use of the product and related apps, please refer to the instructions on the YI official website. This guide should not be taken independently from other instructions.

#### 8. Safe Driving Declaration

This product features an ADAS (Advanced Driver Assistance System), including Forward Collision Warning and Lane Departure Warning. After it is turned on, the ADAS will display some of the driving data, to help the driver understand current driving conditions. However, you should continue to observe the road conditions, obey traffic regulations and drive carefully. The use of this product will not prevent accidents. The products, apps, functions and screens etc mentioned in this guide may have been improved after the product has gone on sale. If you encounter inconsistencies during the actual use of the product and related apps, please refer to the instructions on the YI official website. This guide should not be taken independently from other instructions.

#### 8. Safe Driving Declaration

This product features an ADAS (Advanced Driver Assistance System), including Forward Collision Warning and Lane Departure Warning. After it is turned on, the ADAS will display some of the driving data, to help the driver understand current driving conditions. However, you should continue to observe the road conditions, obey traffic regulations and drive carefully. The use of this product will not prevent accidents. The products, apps, functions and screens etc mentioned in this guide may have been improved after the product has gone on sale. If you encounter inconsistencies during the actual use of the product and related apps, please refer to the instructions on the YI official website. This guide should not be taken independently from other instructions.

