

SIGURO

Microwave oven

Microwave oven
Mikrowellenofen
Mikrovlnná trouba
Mikrovlnná rúra

Mikrohullámú sütő
Four à micro-ondes
Forno a microonde
Cuptor cu microunde

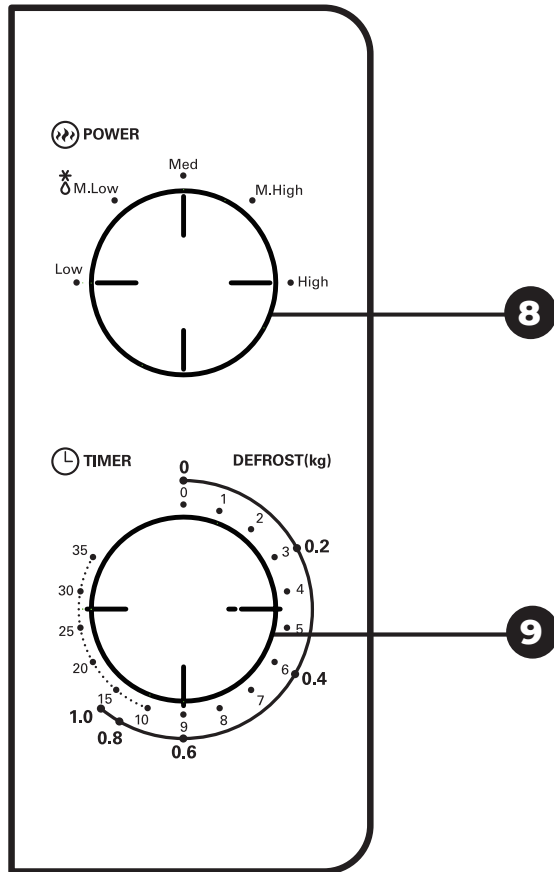
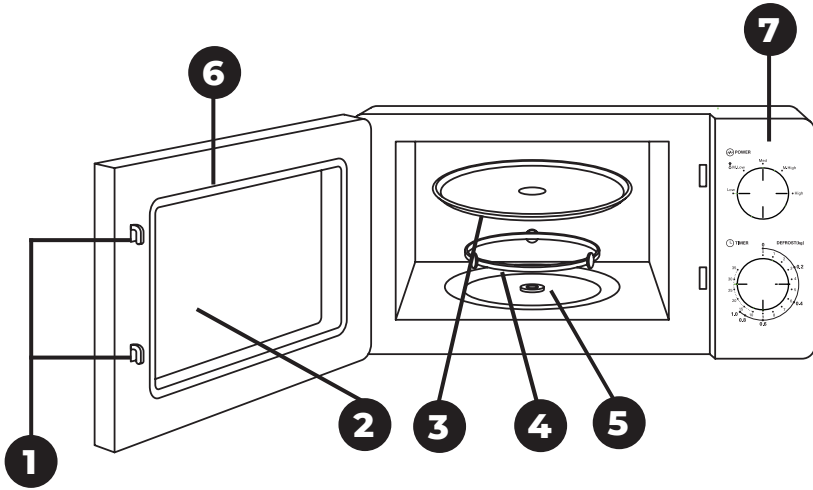


- EN Translation of the operating instructions from the original language.
DE Übersetzung der Bedienungsanleitung aus der Originalsprache.
CZ **Návod k použití v originálním jazyce.**
SK Preklad návodu na použitie z originálneho jazyka.
HU A használati utasítás fordítása eredeti nyelvről.
FR Traduction du mode d'emploi à partir de la langue d'origine.
IT Traduzione delle istruzioni per l'uso dalla lingua originale.
RO Traducerea instrucțiunilor de utilizare din limba originală.

SGR-MO-B130B
SGR-MO-B130S

SIGURO

ENGLISH	4
DEUTSCH	13
ČESKY	22
SLOVENSKY	31
MAGYAR	40
FRANÇAIS	49
ITALIANO	58
ROMÂNĂ	67



Thank you for purchasing a SIGURO appliance. We are grateful for your trust and we are pleased to introduce to you the appliance on the following pages and acquaint you with all its functions and uses.

We believe in a fair and responsible company and therefore we only work with suppliers who meet our strict criteria for protecting the interests of employees, preventing their abuse and provide fair working conditions.

If you need help with extensive maintenance or repair of the product, which requires intervention in its internal parts, our authorized service is available to you at the email address siguro@alza.cz or operators at the seller's infoline. We have unified these contact points for your convenience, when solving any problems with the product and the above contacts can be used in the event of any complaints or post-warranty service.

SAFETY INFORMATION



Please read this manual carefully before use and keep it for future reference.

1. This appliance is intended for use by children 8 years of age and older and persons with reduced physical, sensory or mental capabilities, or lack of experience and knowledge, provided they have been given supervision or instruction concerning use of the appliance in a safe manner and understand the potential hazards
2. Children must not play with the device.
3. Cleaning and user maintenance must not be performed by children without supervision.
4. If the power cord is damaged, it must be replaced by the manufacturer, its service agent or similarly qualified persons in order to avoid a dangerous situation.
5. Children under the age of 8 must be kept out of the reach of the appliance and its power supply.
6. The appliance is not intended to be controlled by a programmer, external time switch or remote control.
7. Always clean the parts of the appliance that come into contact with food according to the instructions in this manual.
8. **WARNING:** If the door or door seal is damaged, the oven must not be operated until it has been repaired by a trained person.
9. **WARNING:** It is unsafe for any person, other than a trained person, to perform any repair or maintenance work resulting in the removal of any cover that provides protection from microwave energy radiation.
10. **WARNING:** Liquids and other foods must not be heated in closed containers as they are prone to explosion.

11. This appliance is intended for use in the home and similar spaces, such as:
 - kitchenettes in shops, offices and other workplaces;
 - In agriculture;
 - by the guests in hotels, motels and other residential facilities;
 - in bed and breakfast establishments.
12. To ensure sufficient air circulation, a clear space must be left around the microwave oven. Leave a clear space of at least 20 cm above the top surface of the oven and 10 cm behind and to the sides. Do not block any openings in the oven. Do not remove the oven legs.
13. Only use containers that are suitable for use in microwave ovens.
14. Do not use metal containers for preparing or heating food and beverages unless the manufacturer specifies the size and shape of metal containers suitable for microwave cooking.
15. When heating food in plastic or paper containers, check the oven occasionally to prevent ignition.
16. The microwave oven is designed for defrosting, preparing and heating food and drinks. Use it only for the purposes described in this manual. Drying food or clothing and heating heating pads, household shoes, washing sponges, damp textiles and similar items can lead to a risk of injury, ignition or fire.
17. If there is smoke, turn off the appliance or pull the plug from the socket and keep the door closed to prevent the spread of any fire.
18. Microwave heating of beverages can cause delayed cooking, which must be taken into account when holding the container. Be careful when handling the container.
19. The contents of baby bottles and baby food must be mixed or shaken and the temperature checked before consumption to prevent scalding.
20. Shell eggs and whole hard-boiled eggs must not be heated in microwave ovens as they may explode even after microwaving.
21. Regularly clean the door and the oven window on both sides, the door seals and adjacent areas of dirt and any food residues. We recommend using a weak solution of neutral kitchen detergent for cleaning. Make sure that there is no detergent residue on the inside of the door.
22. Clean the oven regularly according to the above instructions and remove any food residues.
23. Failure to keep the oven clean could lead to surface damage that could adversely affect the life of the appliance and result in a hazardous situation.
24. The appliance must not be cleaned with a steam cleaner.
25. The microwave oven is designed to be placed on the worktop at a maximum height of 900 mm.
26. This microwave oven is designed to be used as a freestanding oven. It is not designed to be built-in or in a cabinet.
27. The microwave must not be placed in a cabinet.
28. The microwave oven may be placed against the wall.
29. Do not remove the spacer at the rear or sides as the spacer provides a minimum distance from the wall for proper air circulation.
30. **WARNING:** The microwave oven and its accessible surfaces heat up

during use. Take extra care to avoid burns.

31. Do not use the microwave outdoors or expose it to the elements.
32. Before connecting the appliance to power supply, make sure that the voltage indicated on the it type plate corresponds to the voltage in the power outlet. Only connect the appliance to a properly grounded outlet.
33. Do not place the microwave oven on window sills, counter drip tray or on unstable surfaces. Always place it on a stable, level and dry surface.
34. Do not use corrosive chemicals or fumes in the microwave oven. Do not use the microwave oven for industrial or laboratory purposes.
35. Do not run the microwave oven empty.
36. Do not use the microwave oven if the power cord or plug is damaged, if the microwave oven is not working properly, if it is damaged or if it has fallen.
37. Kitchen utensils can become hot due to heat transfer from heated food. Sometimes you may need to use protective gloves.
38. Do not use the cooking utensils and gadgets listed below in the microwave oven:
 - metal pans or utensils with metal handles or metal decoration;
 - clamps on plastic bags;
 - dishes with a melanin coating;
 - common thermometers, used e.g. to measure the temperature of meat, etc.
39. Never use the microwave oven in the immediate vicinity of a bath, shower or swimming pool.
40. Pierce foods with skins, such as potatoes, pumpkin, apples or chestnuts, several times with a fork or knife before heating them in the microwave.
41. Do not damage the safety door closing system.
42. Do not attempt to use the microwave with the door open. You could expose yourself to harmful microwaves.
43. Do not fry food in the microwave. Hot oil can damage parts of the oven, cookware, or even cause skin burns.
44. Take extra care when handling heated beverages and food, as hot steam may be released.
45. Before moving the oven, always make sure that the turntable is removed or securely locked in the interior of the oven. Otherwise, damage could result.
46. Do not use the oven without a properly installed turntable.
47. When you are not using the oven, do not leave paper materials, kitchen utensils or food inside.
48. Keep the inside of the oven clean. If the oven walls are stained with food juices, wipe them with a damp cloth. If the oven is more heavily soiled, you can use a weak solution of neutral kitchen detergent.

**WARNING**

Do not install the oven above the stove or hob. There is a risk of damage to the microwave oven.

**WARNING**

Hot surface. Accessible surfaces may become hot during use and may remain hot for some time after preparation is complete. Avoid contact with the hot surface. There is a risk of burns.



OVERVIEW

- 1 Door lock safety system
- 2 Door window
- 3 Rotating plate
- 4 Rotating plate carrier
- 5 Shaft
- 6 Door
- 7 Control panel
- 8 Rotary dial for power adjustment
- 9 Rotary time control

TECHNICAL PARAMETERS

Power	230 V~ 50 Hz
Power consumption	1,050 W
Microwave power	700 W
Operating frequency	2,450 MHz
Noise	65 dB(A)
Volume	20 l (compact)
External dimensions	440 x 359 x 259 mm
Weight	10.44 kg

BEFORE FIRST USE

Remove the appliance and its accessories from the packaging. Before disposing of the packaging, be sure to remove all components. Check the appliance and accessories for damage.

Installation

1. Make sure you remove any packaging material such as plastic bags, polystyrene, etc. from the inside of the oven.
2. Check the oven for any damage, e.g. poorly seated or dented oven door, damaged door seals or loose door hinges or locks. If damage is found, do not use the oven and contact a qualified service technician.
3. The microwave oven must be placed on a flat, stable surface that can support its weight even with food loaded.
4. Do not place the oven near heat sources, in areas of high humidity or near

combustible materials.

5. Adequate clearance around the microwave oven is essential to ensure proper operation. Leave at least 20 cm of free space above the top of the oven, 10 cm at the back and 5 cm at the sides. Do not cover or block the ventilation openings. Do not remove the oven legs.
6. Do not use the oven without the turntable, carrier and shaft installed.
7. Make sure that the power cord is not placed under the bottom of the oven or in contact with hot or sharp surfaces.
8. The outlet must remain easily accessible so that the plug can be pulled out quickly if necessary.
9. Do not use the microwave outdoors.



Warning:

Do not remove the magnetron cover, which is located on the right side of the oven interior.

Grounding instructions

This microwave oven must be grounded. The microwave oven is equipped with a power cord that has a ground wire with a grounding plug. The plug must be connected to an outlet that is properly installed and grounded. Grounding reduces the risk of electric shock. The electric current is conducted through the earthing wire during a short circuit. We recommend that the oven is connected to a separate electrical circuit. High voltage is dangerous and can cause fire or damage to the oven.



Warning:

An incorrectly earthed socket can cause a risk of electric shock.



Note:

If you have questions about grounding or electrical instructions, contact a qualified electrician or repairman. Neither the manufacturer nor the seller is responsible for any damage to the oven or injury caused by improper electrical wiring.

Radio interference

Operation of the microwave oven may cause interference with the radio, TV or similar equipment. If you notice interference, take the following steps to reduce or eliminate the interference.

1. Clean the door and door seals.
2. Relocate the radio or TV antenna.
3. Point the microwave away from the receiver.
4. Move the microwave further away from the receiver.
5. Plug the power plug of the microwave oven into a different outlet so that the oven and receiver are on separate electrical circuits.

USE OF THE MICROWAVE OVEN

Before use, make sure the rotating plate is installed correctly. When the microwave oven is in operation, the plate must rotate freely.

1. Plug the power plug into a mains socket.
2. Place the food you want to heat in a microwave-safe container. Open the oven door and place the food container on the rotating plate.
3. Close the oven door and use the power dial to set the desired power and the timer dial to set the heating time.

Rotary knob	Power in %	Description
Low	17 %	Low power
M.Low (Defrost)	33 %	Medium-low power (defrost)
Med	55 %	Medium power
M.High	77 %	Medium-high power
High	100 %	High power

Attention:

Do not leave the microwave unattended while it is in operation.

4. If you need to check the condition of the food during heating, open the door. The microwave will stop automatically. Close the door to continue heating.
5. The microwave will automatically switch off after the set time has elapsed. If you need to stop heating early, set the timer dial to 0.
6. Remove the food container from the microwave. Dishes can become hot due to heat transfer from heated food. We recommend using protective kitchen gloves.
7. Check the temperature of the food before consumption.
8. If you choose defrosting, use the timer control to set the weight between 0.2 kg and 1.0 kg.

Principles of microwave cooking

1. Arrange the food carefully. Place thicker pieces of food around the perimeter of the container.
2. Set the cooking time correctly. We recommend setting a shorter time, and extending it if necessary. Smoke or ignition may occur when food is cooked at high temperatures.
3. Cover the food before preparation. This prevents splashing of juices and heats the food evenly.
4. To speed up the preparation of certain foods, such as chicken or hamburgers, turn them once during preparation. Larger pieces of food, such as roasts, must be turned several times.
5. For some foods, such as meatballs, re-align both top to bottom and center to edge during preparation.

Microwave-safe kitchenware

1. Microwaves cannot penetrate metal, so it is important to choose the right cookware to use in the microwave. Do not use metal utensils to heat food or drink unless the manufacturer specifies the exact type and shape of metal utensils.
2. Do not use cookware with a metal rim or glaze that contains metal.
3. Do not use recycled paper utensils as they may contain small amounts of metal parts that can cause sparks and/or fire.
4. Round/oval cookware is preferable to square cookware, as food pieces in the corners tend to overheat.
5. Thin slices of aluminium foil can be used to cover thin or fragile parts of food. But be careful not to use too much aluminium foil. It is important that the distance between the aluminium foil and the inner wall is greater than 2.5 cm.

Kitchenware	Suitable/unsuitable
Heat-resistant glass	Yes
Ordinary glass (not heat resistant)	No
Heat-resistant ceramics	Yes
Plastic microwave cookware	Yes
Kitchen paper	Yes
Metal tray	No
Metal grate	No
Aluminium foil, aluminium container	No

CLEANING AND MAINTENANCE

Before cleaning, switch off the oven and disconnect the power plug from the mains socket.

Keep the inside of the oven clean. Wipe off food and liquid residues with a soft, slightly dampened sponge. If the interior is heavily soiled, use a small amount of dishwashing liquid applied to a sponge. Do not use sprays or other harsh cleaning agents. They can leave stains or smudges.

Wipe the outer surface with a soft, slightly dampened sponge. To prevent damage to the operating parts inside the oven, ensure that water does not enter the oven interior through the ventilation holes.

Regularly wipe the door and window on both sides, the door seals and adjacent surfaces with a soft and slightly damp sponge to remove stains and dirt. Do not use harsh cleaning agents.

Do not use a steam cleaner to clean the oven.

Prevent the control panel from getting wet. Wipe it with a clean, dry cloth. When cleaning the control panel, leave the door open to prevent the oven from accidentally starting up.

If steam builds up inside the oven and outside the door, wipe it off with a dry cloth.

Steam can build up when preparing foods with a high water content. This is normal. Clean the rotating plate regularly. Wash it in warm water with a little dishwashing liquid. You can also wash it in the dishwasher.

Clean the rotating plate carrier and the bottom of the microwave regularly to prevent excessive noise. Wipe the bottom with a soft and slightly dampened sponge. Wash it in warm water with a little dishwashing liquid. You can also wash it in the dishwasher. When installing it back into the oven, make sure it is properly seated on the shaft. If you need to remove an unpleasant smell from inside the oven, pour water into a larger bowl and add the juice and zest of one lemon. Turn on the microwave for 5 minutes. Then wipe the inner walls with a sponge and then with a dry cloth. If a fluorescent bulb inside the oven breaks, contact an authorised service centre. The oven must be cleaned regularly and food residues removed. Failure to do so may damage the finish of the oven interior, which may adversely affect the life of the oven and create a hazardous situation.

Warning:

To avoid the risk of electric shock, do not immerse the appliance, power cord or plug in water or other liquid.

Before contacting an authorised service centre

Check the following before contacting an authorised service centre:

- Check that the power supply plug is correctly plugged into the mains socket. If not, remove it, wait 10 seconds and then plug it in.
- Check if the circuit breaker has tripped. If everything seems fine, test the socket by plugging in and switching on another appliance.
- Check that you have selected the correct preparation and set the preparation time.
- Check that the door is properly opened. Otherwise, the oven cannot be started.

IF THE PROBLEM IS NOT LISTED ABOVE OR PERSISTS, TURN OFF THE MICROWAVE OVEN, UNPLUG THE POWER PLUG FROM THE POWER OUTLET AND CONTACT AN AUTHORIZED SERVICE CENTER. IT IS FORBIDDEN TO REPAIR OR MODIFY THE MICROWAVE OVEN. THE OVEN DOES NOT CONTAIN ANY PARTS SERVICEABLE BY THE USER.

Wir bedanken uns für den Kauf des Gerätes der Marke SIGURO. Wir bedanken uns für Ihr Vertrauen und freuen uns, Ihnen das Gerät auf den folgenden Seiten vorzustellen und Sie mit allen Funktionen und Verwendungsmöglichkeiten vertraut zu machen.

Wir glauben an ein faires und verantwortungsvolles Unternehmen und arbeiten daher nur mit Lieferanten zusammen, die unsere strengen Kriterien zum Schutz der Interessen der Mitarbeiter, zur Verhinderung von Missbrauch und fairen Arbeitsbedingungen erfüllen.

Wenn Sie Hilfe bei der umfassenden Wartung oder Reparatur des Produkts benötigen, die einen Eingriff in die Innenteile erfordert, stehen Ihnen unser autorisierter Kundendienst unter der E-Mail-Adresse siguro@alza.cz oder die Hotline des Verkäufers zur Verfügung. Bei der Lösung von Problemen mit dem Produkt haben wir diese Kontaktstellen vereinheitlicht. Die oben genannten Kontakte können auch bei Beschwerden oder Nachgarantieservice genutzt werden.

SICHERHEITSHINWEISE



Lesen Sie vor der Anwendung dieses Benutzerhandbuch durch und bewahren Sie es für den künftigen Gebrauch auf.

1. Dieses Gerät können Kinder im Alter von 8 Jahren und älter sowie Personen mit verminderten physischen, sensorischen und mentalen Fähigkeiten oder mangelnden Erfahrungen und Kenntnissen benutzen, sofern diese beaufsichtigt werden oder über die sichere Verwendung des Geräts unterwiesen wurden und die möglichen Gefahren verstehen.
2. Kinder dürfen nicht mit dem Gerät spielen.
3. Kinder dürfen keine Reinigungs- und Wartungsarbeiten vornehmen, falls diese nicht beaufsichtigt sind.
4. Wenn das Netzteil beschädigt ist, muss es vom Hersteller, seinem Servicetechniker oder einer ähnlich qualifizierten Person ersetzt werden, um gefährliche Situationen zu vermeiden.
5. Kinder unter 8 Jahre sind außer Reichweite des Geräts und des Netzkabels zu halten.
6. Das Gerät ist nicht für die Bedienung über ein Programmiergerät, eine externe Zeitschaltuhr oder eine Fernbedienung vorgesehen.
7. Reinigen Sie die Teile des Geräts, die mit Lebensmitteln in Berührung kommen, immer gemäß den Anweisungen in dieser Anleitung.
8. **WARNUNG:** Wenn die Tür oder die Türdichtung beschädigt ist, darf die Mikrowelle nicht in Betrieb genommen werden, bis er von einer geschulten Person repariert worden ist.
9. **WARNUNG:** Es ist gefährlich, wenn andere als geschulte Personen Reparatur- oder Wartungsarbeiten durchführen, bei denen

Abdeckungen, die vor Mikrowellenstrahlung schützen, entfernt werden.

10. **WARNUNG:** Flüssigkeiten und andere Lebensmittel dürfen nicht in geschlossenen Behältern erhitzt werden, da sie eine Explosionsgefahr darstellen.
11. Dieses Gerät ist für den Gebrauch im Haushalt und in ähnlichen Bereichen vorgesehen, wie z.B.:
 - Küchenzeilen in Geschäften, Büros und anderen Arbeitsplätzen,
 - in der Landwirtschaft;
 - Geräte, die von Gästen in Hotels, Motels und anderen Wohngebieten verwendet werden,
 - in Betrieben, die Übernachtung mit Frühstück anbieten.
12. Um eine ausreichende Luftzirkulation zu gewährleisten, muss um die Mikrowelle herum ein freier Raum gelassen werden. Lassen Sie einen Freiraum von mindestens 20 cm oberhalb der Mikrowelle und 10 cm dahinter und auf den Seiten. Blockieren Sie keine Öffnungen der Mikrowelle. Entfernen Sie nicht die Füße der Mikrowelle.
13. Verwenden Sie nur Behälter, die für die Verwendung in Mikrowellen vorgesehen sind.
14. Verwenden Sie keine Metallbehälter für die Zubereitung oder das Erhitzen von Speisen und Getränken, es sei denn, der Hersteller gibt die Größe und Form von Metallbehältern an, die für das Kochen in der Mikrowelle geeignet sind.
15. Wenn Sie Lebensmittel in Plastik- oder Papierbehältern erhitzen, sollten Sie die Mikrowelle gelegentlich kontrollieren, um eine Entzündung zu vermeiden.
16. Die Mikrowelle ist zum Auftauen, Zubereiten und Erwärmen von Speisen und Getränken bestimmt. Verwenden Sie sie nur für die in diesem Handbuch beschriebenen Zwecke. Das Trocknen von Lebensmitteln oder Kleidung sowie das Erhitzen von Heizkissen, Haushaltsschuhen, Waschschwämmen, feuchten Textilien und ähnlichen Gegenständen kann zu einer Verletzungs-, Entzündungs- oder Brandgefahr führen.
17. Schalten Sie bei Rauchentwicklung das Gerät aus oder ziehen Sie den Stecker aus der Steckdose und halten Sie die Tür geschlossen, um eine Ausbreitung des Feuers zu verhindern.
18. Das Erhitzen von Getränken in der Mikrowelle kann zu einem verzögerten Garen führen, was beim Halten des Behälters berücksichtigt werden muss. Seien Sie vorsichtig bei der Handhabung des Behälters.
19. Der Inhalt von Babyflaschen und Babynahrung muss vor dem Verzehr gemischt oder geschüttelt und die Temperatur überprüft werden, um Verbrühungen zu vermeiden.
20. Schalen- und ganze hartgekochte Eier dürfen nicht in der Mikrowelle erhitzt werden, da sie auch nach dem Erhitzen in der Mikrowelle explodieren können.
21. Reinigen Sie regelmäßig die Tür und das Mikrowellenfenster auf beiden Seiten, die Türdichtungen und die angrenzenden Bereiche von Schmutz und eventuellen Speiserückständen. Zur Reinigung empfehlen wir eine milde Lösung aus neutralem Küchenreiniger. Vergewissern Sie sich, dass sich auf der Innenseite der Tür keine Reinigungsmittelreste befinden.

22. Reinigen Sie die Mikrowelle regelmäßig gemäß den oben genannten Anweisungen und entfernen Sie alle Speisereste.
23. Wenn die Mikrowelle nicht sauber gehalten wird, kann es zu Oberflächenschäden kommen, die die Lebensdauer des Geräts beeinträchtigen und zu einer gefährlichen Situation führen können.
24. Das Gerät darf nicht mit einem Dampfreiniger gereinigt werden.
25. Die Mikrowelle ist so konzipiert, dass er auf der Arbeitsplatte in einer Höhe von maximal 900 mm aufgestellt werden kann.
26. Diese Mikrowelle ist für die Verwendung als freistehendes Gerät konzipiert. Sie ist nicht für den Einbau oder die Unterbringung in einem Schrank vorgesehen.
27. Die Mikrowelle darf nicht in einen Schrank gestellt werden.
28. Die Mikrowelle kann an die Wand gestellt werden.
29. Entfernen Sie nicht den Abstandshalter an der Rückseite oder an den Seiten, da der Abstandshalter einen Mindestabstand zur Wand für eine gute Luftzirkulation gewährleistet.
30. **WARNUNG:** Die Mikrowelle und die zugänglichen Flächen erwärmen sich während des Gebrauchs. Seien Sie besonders vorsichtig, um Verbrennungen zu vermeiden.
31. Verwenden Sie die Mikrowelle nicht im Freien und setzen Sie sie keinen Umwelteinflüssen aus.
32. Vergewissern Sie sich vor dem Anschluss des Geräts an das Stromnetz, dass die auf dem Typenschild angegebene Spannung mit der Netzspannung der Steckdose übereinstimmt. Schließen Sie das Gerät nur an eine ordnungsgemäß geerdete Steckdose an.
33. Platzieren Sie das Gerät nicht an Fensterbretter, Abtropfflächen von Spülbecken oder nicht stabile Oberflächen. Platzieren Sie es stets an eine stabile, gerade und trockene Oberfläche.
34. Verwenden Sie keine ätzenden Chemikalien oder Dämpfe in der Mikrowelle. Verwenden Sie die Mikrowelle nicht für Industrie- oder Laborzwecke.
35. Lassen Sie die Mikrowelle nicht leer laufen.
36. Verwenden Sie die Mikrowelle nicht, wenn das Netzkabel oder der Stecker beschädigt ist, wenn die Mikrowelle nicht richtig funktioniert, wenn sie beschädigt ist oder wenn sie heruntergefallen ist.
37. Küchenutensilien können durch die Übertragung von Wärme von erhitzten Speisen heiß werden. Manchmal müssen Sie Schutzhandschuhe tragen.
38. Verwenden Sie das folgende Küchengeschirr und die Kochutensilien nicht in der Mikrowelle:
 - Metallpfannen oder Geschirr mit Metallgriffen oder Metallverzierungen;
 - Klemmen an Plastiktüten;
 - Geschirr mit einer Melaninschicht;
 - gewöhnliche Thermometer, die z.B. zur Messung der Temperatur von Fleisch usw. verwendet werden.
39. Verwenden Sie die Mikrowelle nicht in unmittelbarer Nähe einer Badewanne, einer Dusche oder eines Schwimmbeckens.

40. Stechen Sie Lebensmittel mit Schale, wie Kartoffeln, Kürbis, Äpfel oder Kastanien, mehrmals mit einer Gabel oder einem Messer durch, bevor Sie sie in der Mikrowelle erhitzen.
41. Das Sicherheitssystem des Türschlosses darf nicht beschädigt werden.
42. Versuchen Sie nicht, die Mikrowelle mit geöffneter Tür zu benutzen. Sie könnten sich einer schädlichen Mikrowellenstrahlung aussetzen.
43. Braten Sie keine Lebensmittel in der Mikrowelle. Heißes Öl kann Teile der Mikrowelle oder das Küchengeschirr beschädigen oder sogar Hautverbrennungen verursachen.
44. Seien Sie besonders vorsichtig beim Umgang mit erhitzten Getränken und Speisen, da heißer Dampf freigesetzt werden kann.
45. Vergewissern Sie sich vor dem Umstellen der Mikrowelle immer, dass der Drehteller entfernt oder sicher im Inneren der Mikrowelle gesichert ist. Andernfalls kann dieser beschädigt werden.
46. Verwenden Sie die Mikrowelle nicht ohne einen ordnungsgemäß installierten Drehteller.
47. Wenn Sie die Mikrowelle nicht benutzen, lassen Sie kein Material aus Papier, keine Küchenutensilien und keine Lebensmittel darin.
48. Halten Sie das Innere der Mikrowelle sauber. Wenn die Wände der Mikrowelle mit Lebensmittelsäften verschmutzt sind, wischen Sie sie mit einem feuchten Tuch ab. Ist die Mikrowelle stärker verschmutzt, können Sie eine milde Lösung eines neutralen Küchenreinigers verwenden.



WARNUNG

Installieren Sie die Mikrowelle nicht über dem Herd oder dem Kochfeld. Es besteht die Gefahr, dass die Mikrowelle beschädigt wird.



WARNUNG

Heiße Oberfläche. Zugängliche Oberflächen können während der Verwendung heiß werden und nach der Zubereitung noch einige Zeit heiß bleiben. Vermeiden Sie den Kontakt mit der heißen Oberfläche. Es besteht die Gefahr von Verbrennungen.



ÜBERSICHT

- 1 Sicherheitssystem des Türschlosses
- 2 Türfenster
- 3 Drehteller
- 4 Drehtisch-Träger
- 5 Welle
- 6 Tür
- 7 Bedienfeld
- 8 Drehknopf zur Leistungseinstellung
- 9 Timer-Drehknopf

TECHNISCHE PARAMETER

Stromversorgung	230 V~ 50 Hz
Stromverbrauch	1.050 W
Mikrowellenleistung	700 W
Betriebsfrequenz	2 450 MHz
Geräuschpegel	65 dB (A)
Volumen	20 l (kompakt)
Äußere Abmessungen	440 x 359 x 259 mm
Gewicht	10,44 kg

VOR DER ERSTVERWENDUNG

Nehmen Sie das Gerät und sein Zubehör aus der Verpackung. Vergewissern Sie sich, dass alle Komponenten entfernt wurden, bevor Sie die Verpackung entsorgen. Vergewissern Sie sich, dass weder Gerät noch Zubehör beschädigt sind.

Installation

1. Vergewissern Sie sich, dass Sie jegliches Verpackungsmaterial wie Plastiktüten, Styropor usw. aus dem Inneren der Mikrowelle entfernt haben.
2. Prüfen Sie die Mikrowelle auf Schäden, z.B. schlecht sitzende oder verbeulte Mikrowellentür, beschädigte Türdichtungen oder lockere Türscharniere oder Türschlösser. Wenn Sie einen Schaden feststellen, verwenden Sie die Mikrowelle nicht und wenden Sie sich an einen qualifizierten Servicetechniker.
3. Die Mikrowelle muss auf einer ebenen, stabilen Fläche stehen, die ihr Gewicht auch bei eingelegten Lebensmitteln tragen kann.

4. Stellen Sie die Mikrowelle nicht in der Nähe von Wärmequellen, in Bereichen mit hoher Luftfeuchtigkeit oder in der Nähe von brennbaren Materialien auf.
5. Ein ausreichender Abstand um die Mikrowelle herum ist für einen ordnungsgemäßen Betrieb unerlässlich. Lassen Sie einen Freiraum von mindestens 20 cm oberhalb der Mikrowelle, 10 cm an der Rückseite und 5 cm an den Seiten. Die Lüftungsöffnungen dürfen nicht abgedeckt oder blockiert werden. Entfernen Sie nicht die Füße der Mikrowelle.
6. Benutzen Sie die Mikrowelle nicht, wenn der Drehteller, der Träger und die Welle nicht installiert sind.
7. Achten Sie darauf, dass das Netzkabel nicht unter den Boden der Mikrowelle platziert ist oder mit heißen oder scharfen Oberflächen in Berührung kommt.
8. Die Netzsteckdose muss leicht zugänglich bleiben, damit der Stecker bei Bedarf schnell gezogen werden kann.
9. Verwenden Sie die Mikrowelle nicht im Freien.



Warnung:

Entfernen Sie nicht die Magnetonabdeckung, die sich auf der rechten Seite im Inneren der Mikrowelle befindet.

Hinweise zur Erdung

Diese Mikrowelle muss geerdet werden. Die Mikrowelle ist mit einem Netzkabel ausgestattet, das ein Erdungskabel mit einem Erdungsstecker hat. Der Stecker muss an eine ordnungsgemäß installierte und geerdete Steckdose angeschlossen werden. Die Erdung verringert das Risiko eines Stromschlags. Bei einem Kurzschluss wird der elektrische Strom durch den Erdungsdraht geleitet. Wir empfehlen, die Mikrowelle an einen separaten Stromkreis anzuschließen. Hochspannung ist gefährlich und kann einen Brand oder eine Beschädigung der Mikrowelle verursachen.



Warnung:

Eine nicht ordnungsgemäß geerdete Steckdose kann die Gefahr eines Stromschlags verursachen.



Bemerkung:

Wenn Sie Fragen zur Erdung oder zu elektrischen Anweisungen haben, wenden Sie sich an einen qualifizierten Elektriker oder Techniker.

Weder der Hersteller noch der Verkäufer sind für Schäden an der Mikrowelle oder Verletzungen verantwortlich, die auf einen unsachgemäßen elektrischen Anschluss zurückzuführen sind.

Funktstörungen

Der Betrieb der Mikrowelle kann Störungen bei Radio-, Fernseh- oder ähnlichen Geräten verursachen. Wenn Sie eine Störung feststellen, ergreifen Sie die folgenden Maßnahmen, um die Störung zu verringern oder zu beseitigen.

1. Reinigen Sie die Tür und die Türdichtung.
2. Stellen Sie die Radio- oder Fernsehantenne um.
3. Richten Sie die Mikrowelle vom Empfänger weg.
4. Stellen Sie die Mikrowelle weiter vom Empfänger entfernt auf.
5. Stecken Sie den Netzstecker der Mikrowelle in eine andere Steckdose, so dass die Mikrowelle und der Empfänger an getrennten Stromkreisen angeschlossen sind.

VERWENDUNG DER MIKROWELLE

Vergewissern Sie sich vor der Benutzung, dass der Drehteller richtig installiert ist. Wenn die Mikrowelle in Betrieb ist, muss sich der Teller frei drehen lassen.

1. Stecken Sie den Netzstecker in eine Steckdose.
2. Geben Sie die zu erhaltenden Lebensmittel in einen mikrowellengeeigneten Behälter. Öffnen Sie die Mikrowellentür und stellen Sie den Behälter mit den Lebensmitteln auf den Drehteller.
3. Schließen Sie die Mikrowellentür und stellen Sie mit dem Leistungsregler die gewünschte Leistung und mit dem Timer-Drehknopf die Zubereitungszeit ein.

Drehknopf	Leistung in %	Beschreibung
Low	17 %	Geringe Leistung
M.Low (Defrost)	33 %	Mittlere bis niedrige Leistung (Auftauen)
Med	55 %	Mittlere Leistung
M.High	77 %	Mittlere bis hohe Leistung
High	100 %	Hohe Leistung

Hinweis:

Lassen Sie die Mikrowelle nicht unbeaufsichtigt, wenn sie in Betrieb ist.

4. Wenn Sie den Zustand der Speisen während des Erhitzens überprüfen wollen, öffnen Sie die Tür. Die Mikrowelle schaltet sich automatisch aus. Schließen Sie die Tür, um den Heizvorgang fortzusetzen.
5. Die Mikrowelle schaltet sich nach Ablauf der eingestellten Zeit automatisch aus. Wenn Sie das Aufwärmen vorzeitig beenden möchten, stellen Sie den Timer auf 0.
6. Nehmen Sie den Behälter mit den Lebensmitteln aus der Mikrowelle. Speisen können durch die Übertragung von Wärme von erhitzten Lebensmitteln heiß werden. Wir empfehlen die Verwendung von Küchenhandschuhen.
7. Prüfen Sie die Temperatur der Lebensmittel vor dem Verzehr.
8. Wenn Sie sich für das Auftauen entscheiden, stellen Sie das Gewicht mit dem Timerdrehknopf zwischen 0,2 kg und 1,0 kg ein.

Grundsätze beim Kochen in der Mikrowelle

1. Verteilen Sie die Lebensmittel sorgfältig. Legen Sie dickere Stücke von Lebensmitteln um den Rand des Gefäßes herum.
2. Stellen Sie die Zubereitungszeit richtig ein. Wir empfehlen, eine kürzere Zeit einzustellen und diese gegebenenfalls zu verlängern. Bei der Zubereitung von Lebensmitteln bei hohen Temperaturen kann es zu Rauch oder Entzündung kommen.
3. Decken Sie die Lebensmittel vor der Zubereitung ab. Dadurch wird das Verspritzen von Saft verhindert und die Speisen werden gleichmäßig erhitzt.
4. Um die Zubereitung bestimmter Lebensmittel, wie Hähnchen oder Hamburger, zu beschleunigen, wenden Sie sie einmal während der Zubereitung. Größere Stücke, wie z.B. Braten, müssen mehrmals gewendet werden.
5. Einige Lebensmittel, wie z.B. Fleischklößchen oder Frikadellen, sollten Sie

während der Zubereitung von oben nach unten sowie von der Mitte zum Rand hin anordnen.

Mikrowellengeeignetes Küchengeschirr

1. Mikrowellen können nicht Metall durchdringen, daher ist es wichtig, das richtige Küchengeschirr für die Mikrowelle zu wählen. Verwenden Sie zum Erhitzen von Speisen oder Getränken keine Metallutensilien, es sei denn, der Hersteller gibt die genaue Art und Form der Metallutensilien an.
2. Verwenden Sie kein Küchengeschirr mit einem Metallrand oder einer metallhaltigen Glasur.
3. Verwenden Sie keine Utensilien aus recyceltem Papier, da diese kleine Mengen von Metallteilen enthalten können, die Funken und/oder Feuer verursachen können.
4. Rundes/ovales Küchengeschirr ist eckigem Küchengeschirr vorzuziehen, da Speisestücke in den Ecken zur Überhitzung neigen.
5. Dünne Scheiben Alufolie können verwendet werden, um dünne oder zerbrechliche Teile von Lebensmitteln abzudecken. Achten Sie aber darauf, dass Sie nicht zu viel Alufolie verwenden. Wichtig ist, dass der Abstand zwischen der Aluminiumfolie und der Innenwand größer als 2,5 cm ist.

Gerichte	Geeignet/ungeeignet
Hitzebeständiges Glas	Ja
Gewöhnliches Glas (nicht hitzebeständig)	Nein
Hitzebeständige Keramik	Ja
Mikrowellen-Küchengeschirr aus Kunststoff	Ja
Küchenrolle	Ja
Metalltablett	Nein
Metallrost	Nein
Aluminiumfolie, Aluminiumbehälter	Nein

REINIGUNG UND WARTUNG

Schalten Sie die Mikrowelle aus und ziehen Sie den Stecker des Netzkabels aus der Steckdose.

Halten Sie das Innere der Mikrowelle sauber. Wischen Sie Lebensmittel- und Flüssigkeitsreste mit einem weichen, leicht angefeuchteten Schwamm ab. Wenn der Innenraum stark verschmutzt ist, verwenden Sie eine kleine Menge Geschirrspülmittel, die Sie auf einen Schwamm geben. Verwenden Sie keine Sprays oder andere grobe Reinigungsmittel. Sie können Flecken oder Verschmutzungen hinterlassen. Wischen Sie die Außenfläche mit einem weichen, leicht angefeuchteten Schwamm ab. Um Schäden an den Betriebsteilen im Inneren der Mikrowelle zu vermeiden, achten Sie darauf, dass kein Wasser durch die Lüftungsöffnungen in das Innere der Mikrowelle eindringt.

Wischen Sie die Tür und das Fenster auf beiden Seiten, die Türdichtungen und die angrenzenden Flächen regelmäßig mit einem weichen, leicht feuchten Schwamm ab, um Flecken und Schmutz zu entfernen. Verwenden Sie keine groben Reinigungsmittel.

Verwenden Sie zur Reinigung der Mikrowelle keinen Dampfreiniger.

Verhindern Sie, dass das Bedienfeld nass wird. Wischen Sie es mit einem sauberen, trockenen Tuch ab. Lassen Sie beim Reinigen des Bedienfelds die Tür offen, um ein versehentliches Einschalten der Mikrowelle zu vermeiden.

Wenn sich im Inneren der Mikrowelle und außerhalb der Tür Dampf bildet, wischen Sie ihn mit einem trockenen Tuch ab. Bei der Zubereitung von Lebensmitteln mit einem hohen Wassergehalt kann sich Dampf bilden. Dies ist eine normale Erscheinung.

Reinigen Sie regelmäßig den Drehteller. Waschen Sie es in warmem Wasser mit ein wenig Geschirrspülmittel. Sie können ihn auch in der Spülmaschine waschen.

Reinigen Sie den Träger des Drehtellers und den Boden der Mikrowelle regelmäßig, um übermäßige Geräusche zu vermeiden. Wischen Sie den Boden mit einem weichen, leicht angefeuchteten Schwamm ab. Waschen Sie den Träger in warmem Wasser mit ein wenig Geschirrspülmittel. Sie können ihn auch in der Spülmaschine waschen. Achten Sie beim Wiedereinbau in die Mikrowelle darauf, dass er richtig auf der Welle sitzt.

Wenn Sie einen unangenehmen Geruch aus dem Inneren der Mikrowelle entfernen möchten, gießen Sie Wasser in eine größere Schüssel und fügen Sie den Saft und die Schale einer Zitrone hinzu. Schalten Sie die Mikrowelle für 5 Minuten ein. Wischen Sie dann die Innenwände mit einem Schwamm und anschließend mit einem trockenen Tuch ab.

Wenn eine Lampe im Inneren der Mikrowelle kaputt geht, wenden Sie sich an eine autorisierte Kundendienststelle.

Die Mikrowelle muss regelmäßig gereinigt und von Speiseresten befreit werden. Andernfalls kann die Innenbeschichtung der Mikrowelle beschädigt werden, was sich negativ auf die Lebensdauer der Mikrowelle auswirken und eine Gefahrensituation schaffen kann.

Warnung:

Um ein Stromschlagrisiko zu vermeiden, dürfen Sie das Gerät, das Netzkabel oder den Netzstecker nicht in Wasser oder andere Flüssigkeiten tauchen.

Bevor Sie sich an eine autorisierte Kundendienststelle wenden

Überprüfen Sie Folgendes, bevor Sie sich an eine autorisierte Kundendienststelle wenden:

- Prüfen Sie, ob der Netzstecker richtig in die Steckdose eingesteckt ist. Wenn nicht, ziehen Sie ihn heraus, warten Sie 10 Sekunden und stecken Sie ihn wieder in die Steckdose.
- Prüfen Sie, ob nicht die Sicherung rausgeflogen ist. Wenn alles in Ordnung zu sein scheint, testen Sie die Steckdose, indem Sie ein anderes Gerät einstecken und einschalten.
- Vergewissern Sie sich, dass Sie die richtige Zubereitung ausgewählt und die Zubereitungszeit eingestellt haben.
- Prüfen Sie, ob die Tür richtig geschlossen ist. Andernfalls kann die Mikrowelle nicht gestartet werden.

WENN DAS PROBLEM NICHT IN DER OBIGEN LISTE AUFGEFÜHRT IST ODER WEITERHIN BESTEHT, SCHALTEN SIE DIE MIKROWELLE AUS, ZIEHEN SIE DEN NETZSTECKER AUS DER STECKDOSE UND WENDEN SIE SICH AN EINE AUTORISIERTE KUNDENDIENSTSTELLE. ES IST VERBOTEN, DIE MIKROWELLE ZU REPARIEREN ODER ZU MODIFIZIEREN. DAS GERÄT ENTHÄLT KEINE TEILE, DIE VOM BENUTZER REPARIERT WERDEN KÖNNEN.

Děkujeme za koupi spotřebiče značky SIGURO. Jsme vděční za vaši důvěru a je nám radostí vám přístroj na dalších stránkách představit a seznámit vás se všemi jeho funkcemi a způsoby použití.

Věříme ve spravedlivou a odpovědnou společnost a proto spolupracujeme pouze s dodavateli, kteří splňují naše přísná kritéria pro ochrany zájmu zaměstnanců, prevence jejich zneužívání a férové pracovní podmínky.

Pokud potřebujete pomoci s rozsáhlou údržbou, nebo opravou výrobku, která vyžaduje zásah do jeho vnitřních částí, je vám k dispozici náš autorizovaný servis na emailové adrese siguro@alza.cz, nebo operátoři na infolince prodejce. Pro vaše pohodlí, při řešení jakýchkoliv problémů s výrobkem, jsme tato kontaktní místa sjednotili a výše uvedené kontakty lze využít i případně veškerých reklamací, nebo pozáručního servisu.

BEZPEČNOSTNÍ INFORMACE



Před použitím si prosím pozorně přečtete tento manuál a uschovejte ho pro budoucí použití.

1. Tento spotřebič mohou používat děti ve věku 8 let a starší a osoby se sníženými fyzickými, smyslovými nebo mentálními schopnostmi nebo s nedostatkem zkušeností a znalostí, pokud jsou pod dozorem nebo byly poučeny o používání spotřebiče bezpečným způsobem a rozumí případným nebezpečím.
2. Děti si se spotřebičem nesmějí hrát.
3. Čištění a údržbu prováděnou uživatelem nesmějí provádět děti bez dozoru.
4. Jestliže je napájecí přívod poškozen, musí být nahrazen výrobcem, jeho servisním technikem nebo podobně kvalifikovanou osobou, aby se zabránilo vzniku nebezpečné situace.
5. Děti mladší 8 let se musí držet mimo dosah spotřebiče a jeho přívodu.
6. Tento spotřebič není určen k ovládání prostřednictvím programátoru, vnějšího časového spínače nebo dálkového ovládání.
7. Vždy čistěte dle pokynů v tomto návodu ty části spotřebiče, které přicházejí do styku s potravinami.
8. **VÝSTRAHA:** Jsou-li dvířka nebo těsnění dvířek poškozena, nesmí být trouba v činnosti, dokud nebude opravena proškolenou osobou.
9. **VÝSTRAHA:** Je nebezpečné pro jakoukoli osobu jinou než proškolenou, aby prováděla jakékoli opravy nebo údržbu vedoucí k odstranění libovolného krytu, který zajišťuje ochranu před zářením mikrovlnné energie.
10. **VÝSTRAHA:** Kapaliny a jiné pokrmy se nesmějí ohřívat v uzavřených nádobách, protože jsou náchylné k explozi.
11. Tento spotřebič je určen pro použití v domácnosti a podobných

prostorech, jako jsou:

- kuchyňské kouty v obchodech, kancelářích a ostatních pracovních prostředích;
- v zemědělství;
- hosty v hotelích, motelech a jiných obytných prostředích;
- v podnicích zajišťujících nocleh se snídaní.

12. Pro zajištění dostatečné cirkulace vzduchu musí být ponechán volný prostor okolo mikrovlnné trouby. Ponechte volný prostor alespoň 20 cm nad horním povrchem trouby a 10 cm za její zadní částí a po stranách. Neblokujte jakékoli otvory trouby. Neodstraňujte nohy trouby.
13. Používejte pouze nádoby, které jsou vhodné k použití v mikrovlnných troubách.
14. Nepoužívejte kovové nádoby pro přípravu nebo ohřev pokrmů a nápojů, pokud výrobce nespecifikuje velikost a tvar kovových nádob vhodných pro mikrovlnné vaření.
15. Když se ohřívá pokrm v nádobách z plastu nebo papíru, kontrolujte občas troubu, aby nedošlo ke vznícení.
16. Mikrovlnná trouba je určena pro rozmrazování, přípravu a ohřev potravin a nápojů. Používejte ji pouze k účelům popsaným v tomto návodu. Sušení potravin nebo oděvů a ohřev ohřívacích podušek, domácí obuvi, mycích hub, vlhkého textilu a podobných věcí může vést k nebezpečí poranění, vznícení nebo požáru.
17. Pokud vzniká kouř, vypněte spotřebič nebo vytáhněte vidlici ze zásuvky a nechte dvířka zavřena, aby se zabránilo rozšíření případného ohně.
18. Mikrovlnný ohřev nápojů může způsobit opožděný var, s čímž se musí počítat při držení nádoby. Buďte opatrní při manipulaci s nádobou.
19. Obsah kojeneckých lahví a dětské stravy musí být promíchán nebo protřepán a musí se kontrolovat teplota před konzumací, aby se zabránilo popálení.
20. Vejce ve skořápkách a celá natvrdo uvařená vejce se nesmějí v mikrovlnných troubách ohřívát, protože mohou i po ukončení mikrovlnného ohřevu explodovat.
21. Pravidelně čistěte dvířka a okénko trouby po obou stranách, těsnění dvířek a přilehlé části od nečistot a případných zbytků potravin. K čištění doporučujeme použít slabý roztok neutrálního kuchyňského saponátu. Dbejte na to, aby na vnitřní straně dvířek nezůstaly zbytky čistícího prostředku.
22. Troubu pravidelně čistěte dle výše uvedených pokynů a odstraňujte z ní případné zbytky potravin.
23. Neudržování trouby v čistotě by mohlo vést k poškození povrchu, které by mohlo nepříznivě ovlivnit životnost spotřebiče a mít za následek vznik nebezpečné situace.
24. Spotřebič se nesmí čistit parním čističem.
25. Mikrovlnná trouba je určena k umístění na pracovní desce v maximální výšce 900 mm.
26. Tato mikrovlnná trouba je určena pro používání jako volně stojící. Není určena k zabudování nebo do skříňky.
27. Mikrovlnná trouba se nesmí umísťovat do skříňky.

28. Mikrovlnná trouba smí být umístěna proti zdi.
29. Neodstraňujte distanční podpěru v zadní části nebo po stranách, neboť podpěra zajišťuje minimální vzdálenost od zdi pro správnou cirkulaci vzduchu.
30. **VAROVÁNÍ:** Mikrovlnná trouba a její přístupné povrchy se během používání zahřívají. Dbejte zvýšené opatrnosti, aby nedošlo ke vzniku popálenin.
31. Mikrovlnnou troubu nepoužívejte venku ani ji nevystavujte vlivům venkovního prostředí.
32. Před připojením spotřebiče k síťové zásuvce se ujistěte, že se napětí uvedené na jejím typovém štítku shoduje s elektrickým napětím zásuvky. Spotřebič připojujte pouze k řádně uzemněné zásuvce.
33. Mikrovlnnou troubu neumísťujte na parapety oken, odkapávací desku dřezu nebo na nestabilní povrchy. Vždy ji umístěte na stabilní, rovný a suchý povrch.
34. V mikrovlnné troubě nepoužívejte korozivní chemikálie nebo výpary. Mikrovlnnou troubu nepoužívejte pro průmyslové ani laboratorní účely.
35. Nespouštějte mikrovlnnou troubu naprázdno.
36. Nepoužívejte mikrovlnnou troubu, pokud jsou napájecí přívod nebo vidlice poškozeny, pokud mikrovlnná trouba nefunguje správně, pokud je poškozená nebo spadla.
37. Kuchyňské nádobí se může stát horkým v důsledku přeneseného tepla z ohřívání potravin. Někdy bude třeba použít ochranné rukavice.
38. V mikrovlnné troubě nepoužívejte níže uvedené kuchyňské nádobí a pomůcky:
 - kovové pánve nebo nádobí s kovovou rukojetí nebo s kovovým zdobením;
 - svorky na plastových sáčkích;
 - nádobí s povrchovou úpravou z melaninu;
 - běžné teploměry, které se používají např. k měření teploty masa apod.
39. Mikrovlnnou troubu nikdy nepoužívejte v bezprostředním okolí vany, sprchy nebo bazénu.
40. Potravinu se slupkou, jako jsou brambory, dýně, jablka nebo kaštiny před ohřevem v mikrovlnné troubě několikrát propíchněte vidličkou nebo nožem.
41. Nepoškozujte bezpečnostní systém uzavírání dvířek.
42. Nepokoušejte se používat mikrovlnnou troubu při otevřených dvířkách. Mohli byste se vystavit škodlivému působení mikrovln.
43. Nesmažte v mikrovlnné troubě potraviny. Horký olej může poškodit části trouby, nádobí, nebo dokonce přivodit popáleniny pokožky.
44. Při manipulaci s ohřátými nápoji a potravinami dbejte zvýšené opatrnosti, neboť se z nich může uvolňovat horká pára.
45. Před přemístěním trouby se vždy ujistěte, že je otočný talíř vyjmutý nebo bezpečně zajištěný ve vnitřním prostoru trouby. Jinak by mohlo dojít k jeho poškození.
46. Nepoužívejte troubu bez správně instalovaného otočného talíře.
47. Nepoužíváte-li troubu, nenechávejte uvnitř papírové materiály, kuchyňské nádobí nebo potraviny.

48. Udržujte vnitřní prostor trouby v čistotě. Jsou-li stěny trouby potřísněny šťávami z potravin, otřete je vlhkým hadříkem. Je-li trouba silněji znečištěna, můžete použít slabý roztok neutrálního kuchyňského saponátu.



VAROVÁNÍ

Neinstalujte troubu nad sporák nebo varnou desku. Hrozí poškození mikrovlnné trouby.



VAROVÁNÍ

Horký povrch. Přístupné povrchy se mohou během používání zahřívat a mohou zůstat horké po nějakou dobu od dokončení přípravy. Vyvarujte se kontaktu s horkým povrchem. Hrozí riziku vzniku popálenin.



PŘEHLED

- 1 Bezpečnostní systém zámku dvířek
- 2 Okénko dvířek
- 3 Otočný talíř
- 4 Nosič otočného talíře
- 5 Hřídel
- 6 Dvířka
- 7 Ovládací panel
- 8 Otočný ovladač nastavení výkonu
- 9 Otočný ovladač časova

TECHNICKÉ PARAMETRY

Napájení	230 V~ 50 Hz
Příkon	1 050 W
Výkon mikrovln	700 W
Provozní kmitočet	2 450 MHz
Hlučnost	65 dB (A)
Objem	20 l (kompaktní)
Vnější rozměry	440 x 359 x 259 mm
Hmotnost	10,44 kg

PŘED PRVNÍM POUŽITÍ

Vyjměte spotřebič a jeho příslušenství z obalu. Před likvidací obalu se ujistěte, že jste vyjmuli všechny komponenty. Zkontrolujte, zdali nejsou spotřebič ani příslušenství poškozeny.

Instalace

1. Ujistěte se, že jste z vnitřního prostoru trouby vyjmuli obalový materiál, jako jsou igelitové sáčky, polystyren apod.
2. Zkontrolujte, zdali není trouba nějakým způsobem poškozena, např. nejsou-li dvířka trouby špatně usazena nebo promáčknuta, zdali není poškozeno těsnění dvířek nebo uvolněné závěsy nebo zámky dvířek. Pokud zjistíte poškození, nepoužívejte troubu a kontaktujte kvalifikovaného servisního technika.
3. Mikrovlnná trouba musí být umístěna na rovném, stabilním povrchu, který udrží její váhu i s vloženými potravinami.

4. Neumísťujte troubu blízko tepelných zdrojů, na místa se zvýšenou vlhkostí nebo do blízkosti hořlavých materiálů.
5. Aby byl zajištěn správný provoz, je nutné zajistit dostatečný volný prostor okolo mikrovlnné trouby. Ponechte alespoň 20 cm volného prostoru nad horní částí trouby, 10 cm vzadu a 5 cm po stranách. Nezakrývejte ani neblokujte větrací otvory. Neodstraňujte nohy mikrovlnné trouby.
6. Nepoužívejte troubu bez instalovaného otočného talíře, nosiče a hřídele.
7. Ujistěte se, že napájecí kabel není umístěn pod spodní částí trouby či v kontaktu s horkými nebo ostrými povrchy.
8. Sítová zásuvka musí být snadno dostupná, aby bylo možné vidlici napájecího přívodu rychle odpojit v případě nutnosti.
9. Nepoužívejte mikrovlnnou troubu venku.



Varování:

Neodstraňujte kryt magnetronu, který je umístěn na pravé straně vnitřního prostoru trouby.

Pokyny k uzemnění

Tato mikrovlnná trouba musí být uzemněna. Mikrovlnná trouba je vybavena napájecím kabelem, který má uzemňovací drát s uzemňovací zástrčkou. Vidlice musí být připojena k zásuvce, která je náležitě instalována a uzemněna. Uzemnění snižuje riziko zásahu elektrickým proudem. Elektrický proud je při zkratu veden přes uzemňovací drát. Doporučujeme, aby byla trouba připojena k samostatnému elektrickému obvodu. Vysoké napětí je nebezpečné a může způsobit požár nebo poškození trouby.



Varování:

Nesprávně uzemněná zásuvka může způsobit riziko zásahu elektrickým proudem.



Poznámka:

Pokud máte dotazy týkající se uzemnění nebo elektrických instrukcí, obraťte se na kvalifikovaného elektrikáře nebo opraváře. Výrobce ani prodejce nejsou zodpovědní za jakékoliv poškození trouby nebo zranění vzniklé nesprávným elektrickým zapojením.

Rádiové rušení

Provoz mikrovlnné trouby může způsobit rušení rádia, televizoru nebo podobných zařízení. Pokud zaznamenáte rušení, proveďte následující opatření, abyste rušení omezili nebo zcela odstranili.

1. Vyčistěte dvířka a těsnění dvířek.
2. Přemístěte anténu rádia nebo televizoru.
3. Nasměrujte mikrovlnnou troubu od přijímače.
4. Přemístěte mikrovlnnou troubu dále od přijímače.
5. Zapojte vidlici napájecího přívodu mikrovlnné trouby do jiné zásuvky, aby byly trouba i přijímač v samostatném elektrickém obvodu.

POUŽITÍ MIKROVLNNÉ TROUBY

Před použitím se ujistěte, že je správně instalován otočný talíř. Je-li mikrovlnná trouba v provozu, talíř se musí volně otáčet.

1. Vidlici napájecího přívodu zapojte do síťové zásuvky.
2. Do nádoby vhodné pro mikrovlnný ohřev vložte potraviny, které chcete ohřát. Otevřete dvířka trouby a nádobu s potravinami položte na otočný talíř.
3. Zavřete dvířka trouby a otočným ovladačem výkonu nastavte požadovaný výkon a otočným ovladačem časovače nastavte dobu ohřevu.

Otočný ovladač	Výkon v %	Popis
Low	17 %	Nízký výkon
M.Low (Defrost)	33 %	Středně nízký výkon (rozmrazování)
Med	55 %	Střední výkon
M.High	77 %	Středně vysoký výkon
High	100 %	Vysoký výkon

Upozornění:

Nenechávejte mikrovlnnou troubu bez dozoru, zatímco je v provozu.

4. Potřebujete-li zkontrolovat stav potravin během ohřevu, otevřete dvířka. Mikrovlnná trouba se automaticky zastaví. Pro pokračování v ohřevu zavřete dvířka.
5. Mikrovlnná trouba se automaticky vypne po uplynutí nastavené doby. Jestliže potřebujete předčasně ukončit ohřev, nastavte otočný ovladač časovače na hodnotu 0.
6. Vyjměte nádobu s potravinami z mikrovlnné trouby. Nádobí se může být horké v důsledku přeneseného tepla z ohříváných potravin. Doporučujeme použít ochranné kuchyňské rukavice.
7. Před konzumací zkontrolujte teplotu potravin.
8. Pokud zvolíte rozmrazování, ovladačem časovače nastavte hmotnost v rozmezí od 0,2 kg do 1,0 kg.

Zásady vaření v mikrovlnné troubě

1. Potraviny pečlivě uspořádejte. Silnější kusy potravin umístěte po obvodu nádoby.
2. Nastavte správně dobu přípravy. Doporučujeme nastavit kratší dobu, a v případě potřeby ji prodloužit. Při přípravě potravin při vysoké teplotě může dojít ke vzniku kouře nebo vznícení.
3. Před přípravou potraviny zakryjte. Zabráníte tím rozstříknutí šťávy a potraviny se ohřejí rovnoměrně.
4. Abyste urychlili přípravu některých potravin, např. kuřecího masa nebo hamburgerů, obraťte je jednou během přípravy. Větší kusy potravin, např. pečeně, se musí obrátit několikrát.
5. Některé potraviny, např. masové kuličky nebo karbanátky, během přípravy přerovnejte jak od shora dolů, tak ze středu k okraji.

Kuchyňské nádobí vhodné do mikrovlnné trouby

1. Mikrovlny nedokážou proniknout kovem, je proto důležité správně zvolit nádobí, které budete v mikrovlnné troubě používat. K ohřevu potravin nebo nápojů nepoužívejte kovové nádoby, pokud výrobce neurčí přesný typ a tvar kovového nádobí.
2. Nepoužívejte nádobí s kovovým okrajem nebo glazurou, která obsahuje kov.
3. Nepoužívejte nádobí z recyklovaného papíru, neboť může obsahovat malé množství kovových částí, které mohou způsobit jiskření a/nebo požár.
4. Kulaté/oválné nádobí je vhodnější než hranaté nádobí, neboť kousky potravin v rozích mají tendenci se přehřívat.
5. Tenké plátky hliníkové fólie můžete použít k zakrytí tenkých nebo křehkých částí potravin. Ale buďte opatrní, abyste nepoužili příliš mnoho hliníkové fólie. Je důležité, aby vzdálenost mezi hliníkovou fólií a vnitřní stěnou byla větší než 2,5 cm.

Nádobí	Vhodné/nevhodné
Teplovzdorné sklo	Ano
Běžné sklo (ne teplovzdorné)	Ne
Teplovzdorná keramika	Ano
Plastové nádobí do mikrovlnné trouby	Ano
Kuchyňský papír	Ano
Kovový podnos	Ne
Kovový rošt	Ne
Hliníková fólie, hliníková nádoba	Ne

ČIŠTĚNÍ A ÚDRŽBA

Před čištěním trouby vypněte a odpojte vidlici napájecího přívodu od síťové zásuvky. Udržujte vnitřní prostor trouby čistý. Zbytky potravin a tekutin otřete měkkou, mírně navlhčenou houbičkou. Pokud je vnitřní prostor silně znečištěný, použijte malé množství prostředku na mytí nádobí, který aplikujete na houbičku. Nepoužívejte spreje nebo jiné hrubé čisticí prostředky. Mohou zanechat skvrny nebo šmouhy.

Vnější povrch otřete měkkou, mírně navlhčenou houbičkou. Abyste zabránili poškození provozních částí uvnitř trouby, zajistěte, aby voda nevnikla ventilačními otvory do vnitřního prostoru trouby.

Pravidelně otírejte dvířka a okénko z obou stran, těsnění dvířek a přilehlé povrchy pomocí měkké a mírně navlhčené houbičky, abyste odstranily skvrny a nečistoty.

Nepoužívejte hrubé čisticí prostředky.

K čištění trouby nepoužívejte parní čistič.

Zabraňte tomu, aby byl ovládací panel vlhký. Otřete jej čistou a suchou utěrkou.

Při čištění ovládacího panelu nechte dvířka otevřená, abyste zabránili náhodnému spuštění trouby naprázdno.

Pokud se pára nahromadí uvnitř trouby a vně dvířek, otřete ji suchou utěrkou. Pára se

může nahromadit při přípravě potravin s vysokým obsahem vody. Jedná se o normální jev.

Pravidelně čistěte otočný talíř. Omyjte jej v teplé vodě s trochou prostředku na mytí nádobí. Můžete jej rovněž umýt v myčce.

Pravidelně čistěte nosič otočného talíře a dno mikrovlnné trouby, abyste zabránili nadměrnému hluku. Otřete dno měkkou a mírně navlhčenou houbičkou. Nosič omyjte v teplé vodě s trochou prostředku na mytí nádobí. Můžete jej rovněž umýt v myčce. Při instalaci zpět do trouby dbejte na to, aby byl správně nasazen na hřídeli.

Pokud potřebujete odstranit nepříjemný zápach z vnitřního prostoru trouby, do větší mísky nalijte vodu a přidejte šťávu a kůru z jednoho citrónu. Zapněte mikrovlnnou troubu na 5 minut. Poté otřete vnitřní stěny houbičkou a následně suchou utěrkou.

Pokud praskne zářivka uvnitř trouby, obraťte se na autorizovaný servis.

Troubu je nutné pravidelně čistit a odstraňovat zbytky potravin. V opačném případě hrozí poškození povrchové úpravy vnitřního prostoru trouby, což může negativně ovlivnit její životnost a může to způsobit vznik nebezpečné situace.

Varování:

Aby se zabránilo nebezpečí úrazu elektrickým proudem, neponožte spotřebič, napájecí přívod ani vidlici do vody nebo jiné tekutiny.

Než se obrátíte na autorizovaný servis

Než se obrátíte na autorizovaný servis, zkontrolujte níže uvedené:

- Zkontrolujte, že je vidlice napájecího přívodu správně zapojena v síťové zásuvce. Pokud není, vyjměte ji, vyčkejte 10 sekund a poté zapojte.
- Zkontrolujte, zda není spadlý jistič. Pokud se zdá být vše v pořádku, vyzkoušejte zásuvku zapojením a zapnutím jiného spotřebiče.
- Zkontrolujte, zda jste správně zvolili přípravu a nastavili její dobu.
- Zkontrolujte, zda jsou dvířka správně dovřená. V opačném případě nebude možné troubu spustit.

POKUD PROBLÉM NENÍ VÝŠE UVEDEN NEBO PŘETRVÁVÁ, VYPNĚTE MIKROVLNNOU TROUBU, ODPOJTE VIDLICI OD SÍŤOVÉ ZÁSUVKY A OBRAŤTE SE NA AUTORIZOVANÝ SERVIS. JE ZAKÁZÁNO OPRAVOVAT NEBO UPRAVOVAT MIKROVLNNOU TROUBU. TA NEOBSAHUJE ŽÁDNÉ DÍLY, KTERÉ BY MOHL UŽIVATEL OPRAVIT SÁM.

Ďakujeme za kúpu spotrebiča značky SIGURO. Sme vdáční za vašu dôveru a s radosťou vám prístroj na ďalších stránkach predstavíme a oboznámime vás so všetkými jeho funkciami a spôsobmi použitia.

Veríme v spravodlivú a zodpovednú spoločnosť a preto spolupracujeme iba s dodávateľmi, ktorí spĺňajú naše prísne kritériá na ochranu záujmu zamestnancov, prevenciu ich zneužívania a férové pracovné podmienky.

Ak potrebujete pomôcť s rozsiahlou údržbou alebo opravou výrobku, ktorá vyžaduje zásah do jeho vnútorných častí, je vám k dispozícii náš autorizovaný servis na emailovej adrese siguro@alza.cz, alebo operátori na infolinke predajcu. Pre vaše pohodlie, pri riešení akýchkoľvek problémov s výrobkom, sme tieto kontaktné miesta zjednotili a vyššie uvedené kontakty je možné využiť aj v prípade všetkých reklamácií alebo požiaručného servisu.

BEZPEČNOSTNÉ INFORMÁCIE



Pred použitím si, prosím, pozorne prečítajte tento manuál a uschovajte ho na budúce použitie.

1. Tento spotrebič môžu používať deti vo veku 8 rokov a staršie a osoby so zníženými fyzickými, zmyslovými alebo mentálnymi schopnosťami alebo s nedostatkom skúseností a znalostí, ak sú pod dozorom alebo boli poučené o používaní spotrebiča bezpečným spôsobom a rozumejú prípadným nebezpečenstvám.
2. Deti sa so spotrebičom nesmú hrať.
3. Čistenie a údržbu vykonávanú používateľom nesmú vykonávať deti bez dozoru.
4. Ak je napájací prívod poškodený, musí ho nahradiť výrobca, jeho servisný technik alebo podobne kvalifikovaná osoba, aby sa zabránilo vzniku nebezpečnej situácie.
5. Deti mladšie ako 8 rokov sa musia držať mimo dosahu spotrebiča a jeho prívodu.
6. Tento spotrebič nie je určený na ovládanie prostredníctvom programátora, vonkajšieho časového spínača alebo diaľkového ovládania.
7. Vždy čistite podľa pokynov v tomto návode tie časti spotrebiča, ktoré prichádzajú do styku s potravinami.
8. **VÝSTRAHA:** Ak sú dvierka alebo tesnenia dvierok poškodené, nesmie byť rúra v činnosti, kým ich neopraví preškolená osoba.
9. **VÝSTRAHA:** Je nebezpečné pre akúkoľvek osobu inú než preškolenú, aby vykonávala akékoľvek opravy alebo údržbu vedúce k odstráneniu ľubovoľného krytu, ktorý zaisťuje ochranu pred žiarením mikrovlnnej energie.
10. **VÝSTRAHA:** Kvapaliny a iné pokrmu sa nesmú ohrievať v uzatvorených nádobách, pretože sú náchylné na explóziu.

11. Tento spotrebič je určený na použitie v domácnosti a podobných priestoroch, ako sú:
 - kuchynské kúty v obchodoch, kanceláriách a ostatných pracovných prostrediach;
 - v poľnohospodárstve;
 - priestory pre hostí v hoteloch, motelloch a iných obytných prostrediach;
 - v podnikoch zaistujúcich nocľah s raňajkami.
12. Na zaistenie dostatočnej cirkulácie vzduchu sa musí ponechať voľný priestor okolo mikrovlnnej rúry. Ponechajte voľný priestor aspoň 20 cm nad horným povrchom rúry a 10 cm za jej zadnou časťou a po stranách. Neblokujte akékoľvek otvory rúry. Neodstraňujte nohy rúry.
13. Používajte iba nádoby, ktoré sú vhodné na použitie v mikrovlnných rúrach.
14. Nepoužívajte kovové nádoby na prípravu alebo ohrev pokrmov a nápojov, ak výrobca nešpecifikuje veľkosť a tvar kovových nádob vhodných na mikrovlnné varenie.
15. Keď sa ohrieva pokrm v nádobách z plastu alebo papiera, kontrolujte občas rúru, aby nedošlo k vznieteniu.
16. Mikrovlnná rúra je určená na rozmrazovanie, prípravu a ohrev potravín a nápojov. Používajte ju iba na účely opísané v tomto návode. Sušenie potravín alebo odevov a ohrev ohrievacích podušiek, domácej obuvi, umývacích húb, vlhkého textilu a podobných vecí môže viesť k nebezpečenstvu poranenia, vznieteniu alebo požiaru.
17. Ak vzniká dym, vypnite spotrebič alebo vytiahnite vidlicu zo zásuvky a nechajte dvierka zatvorené, aby sa zabránilo rozšíreniu prípadného ohňa.
18. Mikrovlnný ohrev nápojov môže spôsobiť oneskorený var, s čím sa musí počítať pri držaní nádoby. Buďte opatrní pri manipulácii s nádobou.
19. Obsah dojčenských fliaš a detskej stravy sa musí premiešať alebo pretrepať a musí sa kontrolovať teplota pred konzumáciou, aby sa zabránilo popáleniu.
20. Vajcia v škrupinkách a celé natvrdo uvarené vajcia sa nesmú v mikrovlnných rúrach ohrievať, pretože môžu aj po ukončení mikrovlnného ohrevu explodovať.
21. Pravidelne čistite dvierka a okienko rúry po oboch stranách, tesnenie dvierok a príslušné časti od nečistôt a prípadných zvyškov potravín. Na čistenie odporúčame použiť slabý roztok neutrálneho kuchynského saponátu. Dbajte na to, aby na vnútornej strane dvierok nezostali zvyšky čistiaceho prostriedku.
22. Rúru pravidelne čistite podľa vyššie uvedených pokynov a odstraňujte z nej prípadné zvyšky potravín.
23. Neudržiavanie rúry v čistote by mohlo viesť k poškodeniu povrchu, ktoré by mohlo nepriaznivo ovplyvniť životnosť spotrebiča a mať za následok vznik nebezpečnej situácie.
24. Spotrebič sa nesmie čistiť parným čističom.
25. Mikrovlnná rúra je určená na umiestnenie na pracovnej doske v maximálnej výške 900 mm.
26. Táto mikrovlnná rúra je určená na používanie ako voľne stojaca. Nie je

- určená na zabudovanie alebo do skrinky.
27. Mikrovlnná rúra sa nesmie umiestňovať do skrinky.
 28. Mikrovlnná rúra smie byť umiestnená proti stene.
 29. Neodstraňujte dištančnú podperu v zadnej časti alebo po stranách, pretože podpera zaisťuje minimálnu vzdialenosť od steny na správnu cirkuláciu vzduchu.
 30. **VAROVANIE:** Mikrovlnná rúra a jej prístupné povrchy sa počas používania zahrievajú. Dbajte na zvýšenú opatrnosť, aby nedošlo k vzniku popálenín.
 31. Mikrovlnnú rúru nepoužívajte vonku ani ju nevystavujte vplyvom vonkajšieho prostredia.
 32. Pred pripojením spotrebiča k sieťovej zásuvke sa uistite, že sa napätie uvedené na jej typovom štítku zhoduje s elektrickým napätím zásuvky. Spotrebič pripájajte iba k riadne uzemnenej zásuvke.
 33. Mikrovlnnú rúru neumiestňujte na parapety okien, odkvapkávacia doska drezu alebo na nestabilné povrchy. Vždy ju umiestnite na stabilný, rovný a suchý povrch.
 34. V mikrovlnnej rúre nepoužívajte korozívne chemikálie alebo výpary. Mikrovlnnú rúru nepoužívajte na priemyselné ani laboratórne účely.
 35. Nespúšťajte mikrovlnnú rúru naprázdno.
 36. Nepoužívajte mikrovlnnú rúru, ak sú napájací prívod alebo vidlica poškodené, ak mikrovlnná rúra nefunguje správne, ak je poškodená alebo spadla.
 37. Kuchynský riad sa môže stať horúcim v dôsledku preneseného tepla z ohrievaných potravín. Niekedy bude potrebné použiť ochranné rukavice.
 38. V mikrovlnnej rúre nepoužívajte nižšie uvedený kuchynský riad a pomôcky:
 - kovové panvice alebo riad s kovovou rukoväťou alebo s kovovou ozdobou;
 - svorky na plastových vrecúškach;
 - riad s povrchovou úpravou z melanínu;
 - bežné teplomery, ktoré sa používajú napr. na meranie teploty mäsa a pod.
 39. Mikrovlnnú rúru nikdy nepoužívajte v bezprostrednom okolí vane, sprchy alebo bazéna.
 40. Potraviny so šupkou, ako sú zemiaky, tekvica, jablká alebo gaštany pred ohrevom v mikrovlnnej rúre niekoľkokrát prepichnete vidličkou alebo nožom.
 41. Nepoškodzuje bezpečnostný systém uzatvárania dvierok.
 42. Nepokúšajte sa používať mikrovlnnú rúru pri otvorených dvierkach. Mohli by ste sa vystaviť škodlivému pôsobeniu mikrovln.
 43. Nesmažte v mikrovlnnej rúre potraviny. Horúci olej môže poškodiť časti rúry, riadu, alebo dokonca prívodiť popáleniny pokožky.
 44. Pri manipulácii s ohriatymi nápojmi a potravinami dbajte na zvýšenú opatrnosť, pretože sa z nich môže uvoľňovať horúca para.
 45. Pred premiestnením rúry sa vždy uistite, že je otočný tanier vybraný alebo bezpečne zaistený vo vnútornom priestore rúry. Inak by mohlo dôjsť k jeho poškodeniu.

46. Nepoužívajte rúru bez správne inštalovaného otočného taniera.
47. Ak nepoužívate rúru, nenechávajte vnútri papierové materiály, kuchynský riad alebo potraviny.
48. Udržujte vnútorný priestor rúry v čistote. Ak sú steny rúry postriekané šťavami z potravín, utrite ich vlhkou handričkou. Ak je rúra silnejšie znečistená, môžete použiť slabý roztok neutrálneho kuchynského saponátu.



VAROVANIE

Neinštalujte rúru nad sporák alebo varnú dosku. Hrozí poškodenie mikrovlnnej rúry.



VAROVANIE

Horúci povrch. Prístupné povrchy sa môžu počas používania zahrievať a môžu zostať horúce nejaký čas od dokončenia prípravy. Vyvarujte sa kontaktu s horúcim povrchom. Hrozí riziko vzniku popálenín.



PREHLAD

- 1 Bezpečnostný systém zámku dvierok
- 2 Okienko dvierok
- 3 Otočný tanier
- 4 Nosič otočného taniera
- 5 Hriadel'
- 6 Dvierka
- 7 Ovládací panel
- 8 Otočný ovládač nastavenia výkonu
- 9 Otočný ovládač časovača

TECHNICKÉ PARAMETRE

Napájanie	230 V~ 50 Hz
Príkion	1 050 W
Výkon mikrovln	700 W
Prevádzkový kmitočet	2 450 MHz
Hlučnosť	65 dB (A)
Objem	20 l (kompaktný)
Vonkajšie rozmery	440 × 359 × 259 mm
Hmotnosť	10,44 kg

PRED PRVÝM POUŽITÍM

Vyberte spotrebič a jeho príslušenstvo z obalu. Pred likvidáciou obalu sa uistite, že ste vybrali všetky komponenty. Skontrolujte, či nie sú spotrebič a príslušenstvo poškodené.

Inštalácia

1. Uistite sa, že ste z vnútorného priestoru rúry vybrali obalový materiál, ako sú igelitové vrecúška, polystyrén a pod.
2. Skontrolujte, či nie je rúra nejakým spôsobom poškodená, napr. či nie sú dvierka rúry zle usadené alebo pretlačené, či nie je poškodené tesnenie dvierok alebo uvoľnené závesy alebo zámky dvierok. Ak zistíte poškodenie, nepoužívajte rúru a kontaktujte kvalifikovaného servisného technika.
3. Mikrovlnná rúra musí byť umiestnená na rovnom, stabilnom povrchu, ktorý udrží jej hmotnosť aj s vloženými potravinami.
4. Neumiestňujte rúru blízko tepelných zdrojov, na miesta so zvýšenou vlhkosťou

alebo do blízkosti horľavých materiálov.

5. Aby bola zaistená správna prevádzka, je nutné zaistiť dostatočný voľný priestor okolo mikrovlnnej rúry. Ponechajte aspoň 20 cm voľného priestoru nad hornou časťou rúry, 10 cm vzadu a 5 cm po stranách. Nezakrývajte ani neblokujte vetracie otvory. Neodstraňujte nohy mikrovlnnej rúry.
6. Nepoužívajte rúru bez inštalovaného otočného taniera, nosiča a hriadeľa.
7. Uistite sa, že napájací kábel nie je umiestnený pod spodnou časťou rúry či v kontakte s horúcimi alebo ostrými povrchmi.
8. Sietová zásuvka musí byť ľahko dostupná, aby bolo možné vidlicu napájacieho prívodu rýchlo odpojiť v prípade nutnosti.
9. Nepoužívajte mikrovlnnú rúru vonku.



Varovanie:

Neodstraňujte kryt magnetrónu, ktorý je umiestnený na pravej strane vnútorného priestoru rúry.

Pokyny na uzemnenie

Táto mikrovlnná rúra musí byť uzemnená. Mikrovlnná rúra je vybavená napájacím káblom, ktorý má uzemňovací drôt s uzemňovacou zástrčkou. Vidlica musí byť pripojená k zásuvke, ktorá je náležite inštalovaná a uzemnená. Uzemnenie znižuje riziko zásahu elektrickým prúdom. Elektrický prúd je pri skrate vedený cez uzemňovací drôt. Odporúčame, aby bola rúra pripojená k samostatnému elektrickému obvodu. Vysoké napätie je nebezpečné a môže spôsobiť požiar alebo poškodenie rúry.



Varovanie:

Nesprávne uzemnená zásuvka môže spôsobiť riziko zásahu elektrickým prúdom.



Poznámka:

Ak máte otázky týkajúce sa uzemnenia alebo elektrických inštrukcií, obráťte sa na kvalifikovaného elektrikára alebo opravára.

Výrobca ani predajca nie sú zodpovední za akékoľvek poškodenie rúry alebo zranenie vzniknuté nesprávnym elektrickým zapojením.

Rádiové rušenie

Prevádzka mikrovlnnej rúry môže spôsobiť rušenie rádia, televízora alebo podobných zariadení. Ak zaznamenáte rušenie, vykonajte nasledujúce opatrenia, aby ste rušenie obmedzili alebo celkom odstránili.

1. Vyčistite dvierka a tesnenie dvierok.
2. Premiestnite anténu rádia alebo televízora.
3. Nasmerujte mikrovlnnú rúru od prijímača.
4. Premiestnite mikrovlnnú rúru ďalej od prijímača.
5. Zapojte vidlicu napájacieho prívodu mikrovlnnej rúry do inej zásuvky, aby boli rúra aj prijímač v samostatnom elektrickom obvode.

POUŽITIE MIKROVLNNEJ RÚRY

Pred použitím sa uistite, že je správne inštalovaný otočný tanier. Ak je mikrovlnná rúra v prevádzke, tanier sa musí voľne otáčať.

1. Vidlicu napájacieho prívodu zapojte do sieťovej zásuvky.
2. Do nádoby vhodnej na mikrovlnný ohrev vložte potraviny, ktoré chcete ohriať. Otvorte dvierka rúry a nádobu s potravinami položte na otočný tanier.
3. Zavrite dvierka rúry a otočným ovládačom výkonu nastavte požadovaný výkon a otočným ovládačom časovača nastavte čas ohrevu.

Otočný ovládač	Výkon v %	Popis
Low	17 %	Nízky výkon
M.Low (Defrost)	33 %	Stredne nízky výkon (rozmrazovanie)
Med	55 %	Stredný výkon
M.High	77 %	Stredne vysoký výkon
High	100 %	Vysoký výkon

Upozornenie:

Nenechávajte mikrovlnnú rúru bez dozoru, zatiaľ čo je v prevádzke.

4. Ak potrebujete skontrolovať stav potravín počas ohrevu, otvorte dvierka. Mikrovlnná rúra sa automaticky zastaví. Na pokračovanie v ohreve zavrite dvierka.
5. Mikrovlnná rúra sa automaticky vypne po uplynutí nastaveného času. Ak potrebujete predčasne ukončiť ohrev, nastavte otočný ovládač časovača na hodnotu 0.
6. Vyberte nádobu s potravinami z mikrovlnnej rúry. Riad môže byť horúci v dôsledku preneseného tepla z ohrievaných potravín. Odporúčame použiť ochranné kuchynské rukavice.
7. Pred konzumáciou skontrolujte teplotu potravín.
8. Ak zvolíte rozmrazovanie, ovládačom časovača nastavte hmotnosť v rozmedzí od 0,2 kg do 1,0 kg.

Zásady varenia v mikrovlnnej rúre

1. Potraviny starostlivo usporiadajte. Hrubšie kúsky potravín umiestnite po obvode nádoby.
2. Nastavte správny čas prípravy. Odporúčame nastaviť kratší čas, a v prípade potreby ho predĺžiť. Pri príprave potravín pri vysokej teplote môže dôjsť k vzniku dymu alebo vznieteniu.
3. Pred prípravou potraviny zakryte. Zabráňte tým rozstreknutiu šťavy a potraviny sa ohrejú rovnomerne.
4. Aby ste urýchlili prípravu niektorých potravín, napr. kuracieho mäsa alebo hamburgerov, obráťte ich raz počas prípravy. Väčšie kusy potravín, napr. pečeného mäsa, sa musia obrátiť niekoľkokrát.
5. Niektoré potraviny, napr. mäsové guľky alebo karbonátky, počas prípravy preložte tak odhora nadol, ako aj zo stredu k okraju.

Kuchynský riad vhodný do mikrovlnnej rúry

1. Mikrovlny nedokážu preniknúť kovom, je preto dôležité správne zvoliť riad, ktorý budete v mikrovlnnej rúre používať. Na ohrev potravín alebo nápojov nepoužívajte kovové nádoby, ak výrobca neurčí presný typ a tvar kovového riadu.
2. Nepoužívajte riad s kovovým okrajom alebo glazúrou, ktorá obsahuje kov.
3. Nepoužívajte riad z recyklovaného papiera, pretože môže obsahovať malé množstvo kovových častí, ktoré môžu spôsobiť iskrenie a/alebo požiar.
4. Okrúhly/oválny riad je vhodnejší než hranatý riad, pretože kúsky potravín v rohoch majú tendenciu sa prehrievať.
5. Tenké plátky hliníkovej fólie môžete použiť na zakrytie tenkých alebo krehkých častí potravín. Ale buďte opatrní, aby ste nepoužili príliš mnoho hliníkovej fólie. Je dôležité, aby vzdialenosť medzi hliníkovou fóliou a vnútornou stenou bola väčšia než 2,5 cm.

Riad	Vhodný/nevhodný
Teplovzdorné sklo	Áno
Bežné sklo (nie teplovzdorné)	Nie
Teplovzdorná keramika	Áno
Plastový riad do mikrovlnnej rúry	Áno
Kuchynský papier	Áno
Kovový podnos	Nie
Kovový rošt	Nie
Hliníková fólia, hliníková nádoba	Nie

ČISTENIE A ÚDRŽBA

Pred čistením rúry vypnite a odpojte vidlicu napájacieho prívodu od sieťovej zásuvky. Udržujte vnútorný priestor rúry čistý. Zvyšky potravín a tekutín utrite mäkkou, mierne navlhčenou hubkou. Ak je vnútorný priestor silne znečistený, použite malé množstvo prostriedku na umývanie riadu, ktorý aplikujte na hubku. Nepoužívajte spreje alebo iné hrubé čistiace prostriedky. Môžu zanechať škrvny alebo šmuhy.

Vonkajší povrch utrite mäkkou, mierne navlhčenou hubkou. Aby ste zabránili poškodeniu prevádzkových častí vnútri rúry, zaistite, aby voda nevnikla ventilačnými otvormi do vnútorného priestoru rúry.

Pravidelne utierajte dvierka a okienko z oboch strán, tesnenie dvierok a príslušné povrchy pomocou mäkkej a mierne navlhčenej hubky, aby ste odstránili škrvny a nečistoty. Nepoužívajte hrubé čistiace prostriedky.

Na čistenie rúry nepoužívajte parný čistič.

Zabráňte tomu, aby bol ovládací panel vlhký. Utrite ho čistou a suchou utierkou. Pri čistení ovládacieho panelu nechajte dvierka otvorené, aby ste zabránili náhodnému spusteniu rúry naprázdno.

Ak sa para nahromadí vnútri rúry a na vonkajšej strane dvierok, utrite ju suchou

utierkou. Para sa môže nahromadiť pri príprave potravín s vysokým obsahom vody. Ide o normálny jav.

Pravidelne čistite otočný tanier. Umyte ho v teplej vode s trochou prostriedku na umývanie riadu. Môžete ho tiež umyť v umývačke.

Pravidelne čistite nosič otočného taniera a dno mikrovlnnej rúry, aby ste zabránili nadmernému hluku. Utrite dno mäkkou a mierne navlhčenou hubkou. Nosič umyte v teplej vode s trochou prostriedku na umývanie riadu. Môžete ho tiež umyť v umývačke. Pri inštalácii späť do rúry dbajte na to, aby bol správne nasadený na hriadelí.

Ak potrebujete odstrániť nepríjemný zápach z vnútorného priestoru rúry, do väčšej misky nalejte vodu a pridajte šťavu a kôru z jedného citróna. Zapnite mikrovlnnú rúru na 5 minút. Potom utrite vnútorné steny hubkou a následne suchou utierkou.

Ak praskne žiarivka vnútri rúry, obráťte sa na autorizovaný servis.

Rúru je nutné pravidelne čistiť a odstraňovať zvyšky potravín. V opačnom prípade hrozí poškodenie povrchovej úpravy vnútorného priestoru rúry, čo môže negatívne ovplyvniť jej životnosť a môže to spôsobiť vznik nebezpečnej situácie.

Varovanie:

Aby sa zabránilo nebezpečenstvu úrazu elektrickým prúdom, neponárajte spotrebič, napájací prívod ani vidlicu do vody alebo inej tekutiny.

Skôr ako sa obrátite na autorizovaný servis

Skôr ako sa obrátite na autorizovaný servis, skontrolujte nižšie uvedené:

- Skontrolujte, či je vidlica napájacieho prívodu správne zapojená v sieťovej zásuvke. Ak nie je, vyberte ju, vyčkajte 10 sekúnd a potom zapojte.
- Skontrolujte, či nie je spadnutý istič. Ak sa zdá byť všetko v poriadku, vyskúšajte zásuvku zapojením a zapnutím iného spotrebiča.
- Skontrolujte, či ste správne zvolili prípravu a nastavili jej čas.
- Skontrolujte, či sú dvierka správne dovreté. V opačnom prípade nebude možné rúru spustiť.

AK PROBLÉM NIE JE VYŠŠIE UVEDENÝ ALEBO PRETRVÁVA, VYPNITE MIKROVLNNÚ RÚRU, ODPOJTE VIDLICU OD SIEŤOVEJ ZÁSUVKY A OBRÁŤTE SA NA AUTORIZOVANÝ SERVIS. JE ZAKÁZANÉ OPRAVOVAŤ ALEBO UPRAVOVAŤ MIKROVLNNÚ RÚRU. TÁ NEOBSAHUJE ŽIADNE DIELY, KTORÉ BY MOHOL POUŽÍVATEĽ OPRAVIŤ SÁM.

Köszönjük, hogy megvásárolta a SIGURO márka termékét. Köszönjük, hogy megtisztelt bennünket a bizalmával! Örömmel mutatjuk be Önnek a készülékünket, a készülék funkcióit és a készülék használatát.

Hiszünk abban, hogy tisztességes és felelős vállalat vagyunk, ezért csak olyan beszállítókkal dolgozunk együtt, akik megfelelnek a munkavállalók érdekeinek a védelmére, a munkavállalói visszaélések megelőzésére, továbbá a tisztességes munkakörülmények biztosítására vonatkozó szigorú kritériumainknak.

Amennyiben a készüléken olyan karbantartást vagy javítást kíván végrehajtani, amelyhez a készüléket meg kell bontani, akkor forduljon a márkaszervizhez siguro@alza.cz, vagy hívja fel a vevőszolgálatunkat. A kényelmesebb ügyintézés érdekében egybevitük a kapcsolati helyeinket, így a fenti kapcsolatokat nem csak a javítások és karbantartások megrendeléséhez, hanem a reklamációk benyújtásához vagy a garancia utáni szervizeléshez is fel lehet használni.

BIZTONSÁGI INFORMÁCIÓK



A használatba vétel előtt figyelmesen olvassa el a jelen útmutatót, és azt későbbi felhasználásokhoz is őrizze meg.

1. A készüléket 8 évnél idősebb gyerekek, idős, testi és szellemi fogyatékos személyek, illetve a készülék használatát nem ismerő és hasonló készülék üzemeltetéseinél tapasztalataival nem rendelkező személyek csak a készülék használati utasítását ismerő és a készülék használatáért felelősséget vállaló személy felügyelete mellett használhatják.
2. A készülék nem játék, azzal gyerekek nem játszhatnak.
3. A készüléket gyerekek csak felnőtt személy felügyelete mellett tisztíthatják.
4. Az áramütések megelőzése érdekében, a készülék sérült hálózati vezetékét csak márkaszerviz, vagy villanyszerelő szakember cserélheti ki.
5. A készüléket és a hálózati vezetékét úgy kell elhelyezni, hogy ahhoz 8 év alatti gyerekek ne férhessenek hozzá.
6. A készüléket nem szabad időkapcsolóval vagy más készülékkel vezérelt (távírányított) konnektorhoz csatlakoztatni.
7. Az élelmiszerekkel közvetlen kapcsolatba kerülő alkatrészeket a jelen útmutató szerint tisztítsa meg.
8. **FIGYELMEZTETÉS!** Ne használja a sütőt, ha a készülék ajtaja vagy szigetelése sérült, a javítást bízza szakemberre.
9. **FIGYELMEZTETÉS!** A mikrohullámú sugárzás veszélyes az egészségre, ezért a készülék bármilyen burkolatát illetéktelen személy nem szerelheti le. A javítást bízza mindig a márkaszervizre.

10. **FIGYELMEZTETÉS!** Folyadékokat vagy más ételeket zárt edényben ne melegítsen fel, mert a keletkező nyomástól az edény szétrobbanhat.
11. A készüléket háztartásokban, illetve a következő helyeken lehet használni:
 - konyhák, irodai és egyéb munkahelyi kiskonyhák,
 - mezőgazdasági üzemek;
 - szállodai és motelszobák, munkásszállások konyhái;
 - turisztaszállások, és egyéb jellegű szállások.
12. A hűtőlevegő megfelelő áramlása érdekében, a mikrohullámú sütő körül legyen elegendő szabad hely. A mikrohullámú sütő felett legalább 20 cm, az oldalánál és hátuljánál pedig legalább 10 cm szabad helyet kell hagyni. A mikrohullámú sütő szellőzőnyílásait letakarni tilos. A mikrohullámú sütő lábait ne szerelje le.
13. Kizárólag csak mikrohullámú sütőben használható tányérokat és edényeket használjon.
14. Amennyiben a gyártó nem specifikálta a fém edények alakját és méretét a mikrohullámú sütőben való használathoz, akkor az ételek és italok készítéséhez és felmelegítéséhez fém edényeket ne használjon.
15. Ha az ételt papír vagy műanyag edényben melegíti fel, akkor ügyeljen arra, hogy azok ne gyulladjanak meg.
16. A mikrohullámú sütővel élelmiszereket és italokat lehet felmelegíteni. A készüléket csak a jelen útmutatóban feltüntetett célokra szabad használni. A készülékben élelmiszereket vagy ruhát szárítani, melegítő párnákat, papucsot, szivacsot, nedves ruhát és egyéb idegen anyagokat melegíteni tilos, az ilyen tevékenység tüzet vagy súlyos személyi sérülést okozhat.
17. Ha a mikrohullámú sütőben készülő étel füstölni vagy égni kezd, kapcsolja ki a készüléket, húzza ki a hálózati vezetékét a fali aljzatból, és hagyja zárva az ajtót (az esetleges tűz magától elalszik és nem terjed tovább).
18. Mikrohullámú főzéskor a forrás később is bekövetkezhet, ezért bánjon nagyon óvatosan a felmelegített folyadékokkal. Legyen óvatos az edény mozgatása közben.
19. A cumisüvegek tartalmát és a bébiételeket az etetés előtt keverje össze vagy rázza fel, ellenőrizze le az étel hőmérsékletét, nehogy égési sérülést okozzon a csecsemőnek.
20. Soha ne melegítsen a mikrohullámú sütőben tojást héjastól vagy keményre főzött egész tojást, mert a tojás felrobbanhat (a készülékből való kivétel után is).
21. Rendszeresen tisztítsa meg az ajtót, a betekintő ablakot (mindkét oldalán), az ajtó tömítést, távolítsa el a szennyeződések és az élelmiszer lerakódásokat. A tisztításhoz használjon mosogatószeres vízbe mártott ruhát. Ügyeljen arra, hogy a sütő belső felületein és az ajtón ne maradjon tisztítószer.
22. A mikrohullámú sütőt rendszeresen tisztítsa ki, abból az élelmiszer maradványokat távolítsa el.
23. A sütő tisztításának az elhanyagolása a készülék felületeinek a sérüléséhez vezethet, ami a készülék meghibásodását okozhatja, illetve

- a készülék élettartamának a csökkenéséhez vezet.
24. A készüléket gőzfejlesztő készülékkel tisztítani tilos.
 25. A mikrohullámú sütőt tegye konyhai munkalapra (legfeljebb 900 mm magasságba).
 26. A készüléket szabadon elhelyezve kell üzemeltetni. Ezt a mikrohullámú sütőt konyhaszekrénybe beépíteni nem lehet.
 27. A készüléket ne tegye szekrénybe (szűk helyre).
 28. A mikrohullámú sütőt fal elé lehet állítani.
 29. A távtartókat hátul és oldalt ne távolítsa el, ezek biztosítják a minimális távolság betartását (a levegő szabad áramlásához).
 30. **FIGYELMEZTETÉS!** A készülék bizonyos részei és felületei a használat közben erősen felmelegsznek. Legyen óvatos, és előzze meg az égési sérüléseket.
 31. A mikrohullámú sütőt szabadban ne használja, és az időjárás hatásainak se tegye ki.
 32. A készüléket csak a típuscímkén feltüntetett tápfeszültség értékeivel megegyező elektromos hálózathoz szabad csatlakoztatni. A készüléket csak szabályszerűen leföldelt aljzathoz csatlakoztassa.
 33. A mikrohullámú sütőt ne helyezze le ablakpárkányra, illetve nem stabil felületre, vagy mosogató csepegtető részére. A készüléket csak stabil, vízszintes és száraz felületre állítsa fel.
 34. A mikrohullámú sütőbe ne tegyen korróziót vagy agresszív gőzöket fejlesztő anyagokat. A mikrohullámú sütőt ipari és laboratóriumi célokra használni tilos.
 35. A mikrohullámú sütőt ne kapcsolja be üres állapotban.
 36. A mikrohullámú sütőt ne használja, ha a hálózati vezeték vagy csatlakozódugó sérült, illetve ha a készülék rendellenesen működik (vagy például leesett).
 37. A konyhai edények a felmelegített ételtől szintén felmelegednek. Ha szükséges, akkor ezeket konyhai kesztyűvel fogja meg.
 38. A mikrohullámú sütőben nem szabad használni a következő edényeket és eszközöket:
 - fém serpenyőket, fém fogantyúval vagy fém díszítéssel rendelkező edényeket;
 - műanyag zacskókat fém zárócsattal;
 - melamin bevonatú edényeket;
 - hagyományos konyhai hőmérőket (például hús hőmérsékletének a méréséhez).
 39. A mikrohullámú sütőt fürdőkád, zuhanyozó, vagy medence közelében ne használja.
 40. A héjas alapanyagokat (pl. burgonyát, tököt, almát gesztenyét stb.) a főzés megkezdése előtt szűrja meg villával vagy késsel.
 41. Az ajtó biztonsági zárat kiiktatni tilos.
 42. Ne próbálja a mikrohullámú sütőt nyitott ajtóval működtetni. A mikrohullámok közvetlen hatása káros az egészségre.
 43. A mikrohullámú sütőben ne készítsen olajban sült ételeket. A forró olaj sérülést okozhat a készülékben és az edényben, illetve akár égési sérülést is okozhat.

44. Legyen óvatos amikor forró folyadékokkal dolgozik, mert az edényből felszálló gőz vagy a forró folyadék kifröccsenése égési sérüléseket okozhat.
45. A készülék áthelyezése előtt a belső tartozékokat vegye ki a készülékből. Ellenkező esetben a készülék meghibásodhat.
46. A készüléket ne használja a forgótányér nélkül, a forgótányért az előírásoknak megfelelően kell behelyezni.
47. Ha a sütőt nem használja, akkor abban ne tároljon papírokat, konyhai edényeket vagy élelmiszereket.
48. A sütő belsejét tartsa tisztán. Ha a sütő belső falára élelmiszer fröccsent ki, akkor azt enyhén benedvesített ruhával törölje le. Ha sütő belseje erősen szennyezett, akkor a tisztításhoz használhat mosogatószeres vízbe mártott ruhát is.



FIGYELMEZTETÉS

A mikrohullámú sütőt tűzhely vagy főzőlap fölé nem szabad felszerelni. A készülék megsérülhet.



FIGYELMEZTETÉS

Forró felület! A készülék bizonyos részei és felületei a használat közben erősen felmelegszenek, és a használat után egy ideig forrók maradnak. A forró felületeket ne érintse meg. Égési sérülést szenvedhet.



A KÉSZÜLÉK RÉSZEI

- 1 Ajtó biztonsági zár
- 2 Ajtó betekintő ablak
- 3 Forgótányér
- 4 Tányérforgató
- 5 Tengely
- 6 Ajtó
- 7 Működtető panel
- 8 Teljesítmény beállító gomb
- 9 Sütési idő beállító gomb

MŰSZAKI PARAMÉTEREK

Tápellátás	230 V~ 50 Hz
Teljesítményfelvétel	1 050 W
Mikrohullámú teljesítmény	700 W
Üzemi frekvencia:	2 450 MHz
Zajszint	65 dB(A)
Térfogat	20 l (kompakt)
Befoglaló méretek	440 × 359 × 259 mm
Tömeg	10,44 kg

AZ ELSŐ HASZNÁLATBA VÉTEL ELŐTT

Vegye ki a készüléket és tartozékait a dobozból. A csomagolóanyag megsemmisítése előtt ellenőrizze le, hogy abból kivett-e minden tartozékot. Ellenőrizze le a készüléket és tartozékait, illetve azok sérülésmentességét.

Telepítés

1. A mikrohullámú sütő belsejéből vegyen ki minden csomagolóanyagot (zacskót, hungarocell habot stb.).
2. Ellenőrizze le a mikrohullámú sütő sérülésmentességét: az ajtó felfüggesztését és záródását, a tömítések épségét, a felületek horpadásmentességét stb. Amennyiben bármilyen sérülést észlel, akkor a készüléket ne kapcsolja be, a készüléket vigye márkaszervizbe javításra.
3. A mikrohullámú sütőt stabil és vízszintes munkalapra helyezze le, ügyelve arra, hogy ez a lap elbírja a mikrohullámú sütő és a behelyezett élelmiszerek és edények

együttes súlyát is.

4. A sütőt hőforrásoktól és gyúlékony anyagoktól távol, nedves és vizes tárgyaktól kellő távolságban üzemeltesse.
5. A hűtőlevegő megfelelő áramlása érdekében, a mikrohullámú sütő körül legyen elegendő szabad hely. A mikrohullámú sütő felett legalább 20 cm, hátul 10 cm, az oldalánál legalább 5 cm szabad hely legyen. Ne takarja el a szellőzőnyílásokat. A mikrohullámú sütő lábait ne szerelje le.
6. A sütőt ne használja a tartozékként adott forgótányér, menesztő és tengely nélkül.
7. A hálózati vezeték nem lehet a készülék alatt, illetve azt ne vezesse forró vagy éles tárgyakon keresztül.
8. A hálózati aljzat és vezeték legyen könnyen elérhető, hogy veszély esetén a csatlakozódugót azonnal ki lehessen húzni.
9. A készüléket ne használja szabadban.



Figyelmeztetés!

A magnetron fedelét, amely a jobb oldali belső falon található, ne vegye le.

Földelési előírások

A mikrohullámú sütőt földelt hálózathoz kell csatlakoztatni. A készülék hálózati vezetékében védővezeték is van, továbbá a csatlakozódugója is földeléses kivitelű. A csatlakozódugót csak annak megfelelő, bekötött földeléssel rendelkező aljzathoz szabad csatlakoztatni. A földelés részben védelmet nyújt az áramütések ellen. Rövidzárlat esetén a védővezeték az áramot elvezeti a földelésen keresztül. Javasoljuk, hogy a mikrohullámú sütőt önálló (saját kismegszakítóval védett) hálózati ághoz csatlakoztassa. A túlfeszültség tüzet vagy a készülék meghibásodását okozhatja.



Figyelmeztetés!

A védővezeték helytelen bekötése áramütéshez vezethet!



Megjegyzés:

amennyiben kételye van az elektromos csatlakoztatást és földelést illetően, akkor a készülék szabályszerű bekötését villanyszerelő szakembernél rendelje meg.

A készülék gyártója és eladója nem vállal semmilyen felelősséget sem a szabálytalan elektromos bekötések miatt bekövetkezett anyagi károkért és személyi sérülésekért.

Rádiózavarás

A mikrohullámú sütő működése zavarhatja a tévé és rádió adások vételét, vagy más hasonló készülékek használatát. Amennyiben a mikrohullámú sütő zavarást okoz valamilyen más készülék használatában, akkor az alábbi intézkedések segítségével szüntesse meg vagy csökkentse a zavarást.

1. Tisztítsa meg az ajtót és az ajtó tömítést.
2. A rádió vagy a tévé antennát vigye más helyre (távolabb a mikrohullámú sütőtől).
3. Fordítsa el a mikrohullámú sütőt.
4. A mikrohullámú sütőt tegye távolabb a zavart készüléktől.
5. A mikrohullámú sütőt és a zavart készüléket ne üzemeltesse egy áramkörü ágról (pl. egy aljzatról).

A MIKROHULLÁMÚ SÜTŐ HASZNÁLATA

A használatba vétel előtt ellenőrizze le a menesztő és a forgótányér szabályszerű behelyezését. Üzemeltetés közben a forgótányérnak akadálymentesen kell forognia.

1. A hálózati vezeték csatlakoztassa a fali aljzathoz.
2. A felmelegíteni kívánt élelmiszereket tegye egy olyan edénybe, amelyet a mikrohullámú sütőben használni lehet. Nyissa ki a készülék ajtaját és az élelmiszert tartalmazó edényt helyezze a forgótányérra.
3. Csukja be a készülék ajtaját és a teljesítmény szabályozó gombbal állítsa be a kívánt teljesítményt, az időkapcsolóval a működési időt.

Forgó gomb	Teljesítmény (%)	Leírás
Low	17 %	Alacsony teljesítmény
M.Low (Defrost)	33 %	Közepesen alacsony teljesítmény (felolvasztás)
Med	55 %	Közepes teljesítmény
M.High	77 %	Közepesen nagy teljesítmény
High	100 %	Nagy teljesítmény

Figyelmeztetés!

A bekapcsolt készüléket ne hagyja felügyelet nélkül.

4. Az élelmiszer ellenőrzéséhez az ajtót nyissa ki. A mikrohullámú sütő működése automatikus kikapcsol. A melegítés folytatásához csukja be az ajtót.
5. A mikrohullámú sütő automatikusan kikapcsol a beállított idő eltelte után. Ha idő előtt szeretné lekapcsolni a sütő működését, akkor az időkapcsoló gombot fordítsa a 0 jelre.
6. Az élelmiszert vegye ki a sütőből. Az edény a felmelegített ételtől felmelegszik. Az edény kivételéhez használjon konyhai kesztyűt.
7. Az evés előtt mindig ellenőrizze le az étel megfelelő hőmérsékletét.
8. Felolvasztás funkció kiválasztása esetén az időkapcsoló gombbal állítsa be a felolvasztandó alapanyag tömegét 0,2 kg és 1,0 kg között.

A mikrohullámú sütő főzési alapelvei

1. Az alapanyagokat terítse szét, és rendezze el az edényen. A nagyobb darabokat az edény szélénél helyezze el.
2. Állítsa be helyesen a főzés időtartamát. Javasoljuk, hogy általában rövidebb időt állítson be, és a főzést szükség szerint egy újabb beállítással folytassa. Ha az élelmiszer hőmérséklete túl magasra emelkedik, akkor a készülékben füst keletkezhet, illetve az alapanyag akár meg is gyulladhat.
3. Az élelmiszert a sütőben takarja le. Ezzel megelőzheti a lé vagy zsír szétfröccsenését, és az alapanyag egyenletesebben melegszik át.
4. Bizonyos alapanyagokat (pl. csirkehús, hamburger stb.) a sütés közben egyszer fordítsa át. A nagyobb darabokat többször is át kell fordítani.
5. Bizonyos alapanyagokat a sütés közben forgassa át, keverje meg, tegye a tányér széléről középre stb.

Mikrohullámú sütőben használható edények

1. A mikrohullámok nem tudnak fémeken áthatolni, ezért ügyelni kell a mikrohullámú sütőben használható edények kiválasztására. Amennyiben a gyártó nem specifikálta a fém edények alakját és méretét a mikrohullámú sütőben való használathoz, akkor az ételek és italok készítéséhez és felmelegítéséhez fém edényeket ne használjon.
2. Fém díszítésű tányérokat a sütőbe ne tegyen be.
3. Az újrahasznosított papírból készült edények apró fém szemcséket tartalmazhatnak, ezek a mikrohullámú sütőben szikrázást, vagy akár tüzet is okozhatnak.
4. Az ovális vagy kör alakú edényeket részesítse előnyben a szögletes edényekkel szemben. A sarkokban elhelyezett élelmiszer általában túlmelegszik.
5. Vékony alumínium fóliát lehet használni a kisebb alapanyagok letakarásához. He használjon sok alumínium fóliát a sütőben. Fontos, hogy az alumínium fólia legyen legalább 2,5 cm távolságra a készülék belső falától.

Edény	Használható / Nem használható
Hőálló üveg	Igen
Normál üveg (nem hőálló)	Nem
Hőálló kerámia	Igen
Mikrohullámú sütőben használható műanyag edény	Igen
Sütőpapír	Igen
Fém tálca	Nem
Fém rostély	Nem
Alumínium fólia, alumínium edény	Nem

TISZTÍTÁS ÉS KARBANTARTÁS

A tisztítás megkezdése előtt a készüléket kapcsolja le, és hálózati csatlakozódugót is húzza ki a fali aljzatból.

A sütő belsejét tartsa tiszta állapotban. Az étel és ital maradékokat benedvesített és puha ruhával távolítsa el. A makacs szennyeződések mosogatószeres vízbe mártott ruhával áztassa be, majd távolítsa el a szennyeződések. Ne használjon sprayt, drótszivacsot, vagy durva és karcoló tisztítószeret. Ezek megkarcolhatják a felületeket.

A készülék házat puha és kissé benedvesített ruhával törölje meg. A tisztítás során ügyeljen arra, hogy víz ne kerüljön a készülékbe, különösen a mikrohullámú sütő belső falán található szellőztető nyílásokba.

Rendszeresen tisztítsa meg az ajtót, a betekintő ablakot (mindkét oldalán), az ajtótomítést, távolítsa el a szennyeződések és az élelmiszer lerakódásokat.

A tisztításhoz ne használjon durva tisztítószeret.

A mikrohullámú sütőt gőzt képző készülékekkel tisztítani tilos.

A működtető panelt óvja meg nedvességtől és víztől. A működtető panelt csak száraz ruhával törölje meg. A készülék működtető paneljének a tisztítása közben ügyeljen arra, hogy az ajtó ne csukódjon be (a készülék üres állapotban véletlenül bekapcsolhat).

Ha a készülék belső falára és az ajtóra nedvesség rakódik le, akkor ezt száraz törülközővel törölje meg. A készülékben a nedvesség kicsapódik, ha magas víztartalmú alapanyagokat melegít fel. Ez normális jelenség.

Rendszeresen tisztítsa meg a forgótányért. A forgótányért mosogatószeres meleg vízben kézzel mosogassa el. A forgótányért mosogatógépben is el lehet mosogatni. A forgótányér menesztőt és a tányér alatti részt is rendszeresen tisztítsa meg, mert a szennyeződések akadályozhatják a tányér forgatását. A sütő belső fenéklapját puha és nedves ruhával törölje meg. A menesztőt mosogatószeres meleg vízben kézzel mosogassa el. A menesztőt mosogatógépben is el lehet mosogatni. A menesztőt a tisztítás után tegye vissza a tengelyre.

A készülék belső terében uralkodó kellemetlen szagok megszüntetéséhez egy megfelelő edénybe töltsön vizet, majd a vízbe csavarja ki egy citrom levét, és a vízbe tegye bele a citrom héját is. Tegye az edényt a készülékbe és a vizet 5 percig főzze. Vegye ki az edényt, majd a készülék belsejét puha és száraz ruhával törölje szárazra. A belső lámpa meghibásodása esetén forduljon a márkaszervizhez.

A sütő belsejét rendszeresen tisztítsa meg, az étel maradványokat távolítsa el.

Ellenkező esetben a készülék belső felülete megsérülhet, ami csökkenti a készülék élettartamát, illetve a felhalmozódott szennyeződés veszélyes helyzeteket (pl. tüzet) is okozhat.

Figyelmeztetés!

A készüléket, a tápvezetékét és a csatlakozódugót vízbe vagy más folyadékba mártani tilos, ellenkező esetben áramütés érheti.

Mielőtt a márkaszervizhez fordulna

Mielőtt a márkaszervizhez fordulna, kérjük ellenőrizze le a következő lehetőségeket.

- Ellenőrizze le, hogy a csatlakozódugó be van-e dugva a fali aljzatba. Ha nincs jól bedugva, akkor húzza ki, várjon 10 másodpercet, majd útközésig dugja az aljzatba.
- Ellenőrizze le a kismegszakítót. Amennyiben a kismegszakító rendben van, akkor az aljzathoz csatlakoztasson például egy lámpát és ellenőrizze le a tápfeszültség meglétét.
- Ellenőrizze le a program kiválasztását és a sütési idő helyes beállítását.
- Ellenőrizze le az ajtó megfelelő bezáródását. Ha az ajtó nincs bezárva, akkor a készülék nem indul el.

HA A PROBLÉMÁT A TÁBLÁZATBAN LEÍRTAK SZERINT NEM TUDTA MEGSZÜNTETNI, AKKOR A KÉSZÜLÉKET KAPCSOLJA LE ÉS HÚZZA KI A HÁLÓZATI VEZETÉKET A FALI ALJZATBÓL, MAJD FORDULJON A VEVŐSZOLGÁLATUNKHOZ VAGY A MÁRKASZERVIZHEZ. A MIKROHULLÁMÚ SÜTŐT KIZÁRÓLAG CSAK SZAKKÉPZETT SZEMÉLY JAVÍTHATJA. A KÉSZÜLÉKBEN NINCSENEK OLYAN ALKATRÉSZEK, AMELYEKET ÖN IS KICSERÉLHET.

Nous vous remercions de l'achat d'un appareil SIGURO. Nous vous remercions de votre confiance et nous sommes contents de vous présenter ici cet appareil, ainsi que l'ensemble de ses fonctionnalités et modes d'usage.

Nous misons sur la clarté et la responsabilité, par conséquent, nous coopérons exclusivement avec des fournisseurs qui respectent nos critères stricts en matière de protection des intérêts des employés, évitant les excès et offrant des conditions de travail décentes.

Si vous avez besoin d'aide en vue d'un entretien plus poussé ou une réparation du produit, avec une intervention sur les composants internes, notre service après-vente est disponible à l'adresse email siguro@alza.cz, vous pouvez également contacter par téléphone un opérateur de notre ligne d'informations. Nous avons réuni ces points de contacts afin de vous satisfaire en cas de problèmes avec le produit, les contacts susmentionnés peuvent également servir en cas de réclamation ou de service post-garantie.

INFORMATIONS RELATIVES À LA SÉCURITÉ



Veillez lire attentivement le présent manuel et le conserver pour une consultation future.

1. Cet appareil peut être utilisé par des enfants de 8 ans ou plus et par des personnes aux capacités physiques, cognitives ou mentales réduites, ou bien manquant d'expérience et de connaissances, uniquement sous surveillance ou ayant reçu les instructions adéquates sur l'utilisation sûre de l'appareil et comprenant les dangers potentiels
2. Les enfants ne doivent pas jouer avec l'appareil.
3. Les tâches de nettoyage et d'entretien ne doivent pas être effectuées par des enfants sans surveillance.
4. Si le cordon d'alimentation de l'appareil est endommagé, il doit être remplacé par le constructeur, un employé habilité ou une autre personne qualifiée de manière à éviter une situation dangereuse.
5. Les enfants de moins de 8 ans doivent être tenus à l'écart de l'appareil et de son alimentation.
6. L'appareil ne doit pas être utilisé avec une prise programmable, un minuteur externe ou un système de commande à distance.
7. Nettoyez toujours les surfaces de l'appareil qui seront en contact avec les aliments selon les instructions de ce manuel.
8. **AVERTISSEMENT:** Si la porte ou le joint de porte sont endommagés, le four ne doit pas être utilisé tant qu'il n'a pas été réparé par une personne formée.
9. **AVERTISSEMENT:** Il est dangereux que toute personne non formée effectue tout travail de réparation et de maintenance, et retire tout cache de protection contre les radiations micro-ondes.

10. **AVERTISSEMENT:** Les liquides et les autres aliments ne doivent pas être chauffés dans des récipients fermés, qui risquent d'exploser.
11. Cet équipement est destiné à un usage domestique, et également :
 - pour les coins-cuisine des magasins, des bureaux et autres lieux de travail,
 - Dans l'agriculture.
 - par les clients des hôtels, motels et autres structures d'hébergement,
 - dans les chambres d'hôtes..
12. Un espace suffisant doit être gardé autour du four à micro-ondes pour la circulation correcte de l'air. Laissez un espace libre d'au moins 20 cm au-dessus du four et 10 cm sur les côtés. N'obstruez aucune ouverture du four. Le retirez pas les pieds du four.
13. Utilisez uniquement des récipients adaptés au four à micro-ondes.
14. Ne préparez pas les aliments et boissons dans des récipients métalliques sauf si le fabricant indique que leurs caractéristiques conviennent pour le four à micro-ondes.
15. Lors du chauffage d'aliments dans des récipients en plastique ou en papier, vérifiez régulièrement l'absence de combustion.
16. Le four à micro-ondes est conçu pour la décongélation, la préparation et le chauffage des aliments et des boissons. Utilisez-le uniquement pour les usages prévus dans ce manuel. La déshydratation d'aliments ou le séchage de linge, le chauffage de supports chauffants, de pantoufles, d'éponges, de chiffons humides, etc., peut causer un risque de blessure, l'inflammation et d'incendie.
17. En cas de fumée, arrêtez l'appareil ou débranchez-le de la prise électrique et gardez la porte fermée pour éviter une propagation de l'incendie.
18. Lors du chauffage de boissons, l'ébullition peut être retardée, ce qui doit être pris en compte lors de la manipulation du récipient. Faites attention lors de la manipulation des récipients.
19. Le contenu des biberons et autres aliments pour bébés doit être mélangé et la température vérifiée avant consommation afin d'éviter les brûlures.
20. Les œufs en coquille et les œufs durs entiers ne doivent pas être chauffés au micro-ondes car ils peuvent exploser, même après le chauffage.
21. Nettoyez régulièrement la porte et la fenêtre du four des deux côtés, le joint de porte et les zones voisines, pour éliminer toute saleté et tout reste d'aliment. Nous recommandons d'utiliser une solution peu concentrée de produit-vaisselle neutre pour le nettoyage. Veillez à ce que du détergent ne reste pas à l'intérieur de la porte.
22. Nettoyez le four régulièrement selon les instructions ci-dessus et éliminez tout reste d'aliment.
23. Une absence de nettoyage peut causer des dommages de surface et avoir un effet négatif sur la durée de vie de l'appareil et sur la sécurité.
24. L'appareil ne doit pas être nettoyé à la vapeur.
25. Le four à micro-ondes est prévu pour être placé sur un plan de travail à une hauteur maximale de 900 mm.
26. Le four à micro-ondes est conçu pour être posé librement. Il ne doit pas

être encastré ou intégré dans un meuble.

27. Il est interdit de placer le four dans un compartiment.
28. Le four à micro-ondes peut être placé contre le mur.
29. Ne retirez pas l'intercalaire sur l'arrière et les côtés car cet intercalaire assure une distance minimale du mur pour une circulation correcte de l'air.
30. **AVERTISSEMENT** : Le four à micro-ondes et ses surfaces accessibles s'échauffent pendant l'utilisation. Faites particulièrement attention pour éviter les brûlures.
31. N'utilisez pas le four à l'extérieur ou exposé aux aléas climatiques.
32. Avant de brancher l'appareil au secteur, vérifiez que la tension indiquée sur la plaque signalétique de l'appareil correspond à celle du secteur électrique. Branchez l'appareil uniquement à une prise électrique avec mise à la terre.
33. Ne placez pas le four sur un bord de fenêtre, une grille d'évacuation ou sur des surfaces instables. Placez-le toujours sur une surface stable, plane et sèche.
34. Évitez les substances et les vapeurs corrosives. N'utilisez pas le four à micro-ondes pour des usages industriels ou de laboratoire.
35. Ne faites pas fonctionner le four à vide.
36. N'utilisez pas le four à micro-ondes si le cordon d'alimentation est endommagé, en cas de fonctionnement incorrect, s'il est endommagé ou est tombé.
37. Les ustensiles de cuisine peuvent chauffer par transfert thermique depuis les aliments. Utilisez si besoin des gants de protection.
38. N'utilisez pas les ustensiles et accessoires de cuisine suivants dans le four à micro-ondes :
 - poêles ou ustensiles métalliques avec poignées ou décorations métalliques ;
 - les clips sur les sacs plastique ;
 - les assiettes avec revêtement en mélanine ;
 - les thermomètres ordinaires, par exemples ceux à viande, etc.
39. N'utilisez jamais le four à proximité immédiate d'une baignoire, d'une douche ou d'une piscine.
40. Percez plusieurs fois les aliments avec peau comme les pommes de terre, citrouilles, pommes ou marrons avec une fourchette ou un couteau avant de les mettre au four.
41. N'endommagez pas le verrouillage de sécurité de la porte.
42. N'essayez pas d'utiliser le four à micro-ondes avec la porte ouverte. Vous risquez de vous exposer au danger du rayonnement micro-ondes.
43. N'utilisez pas le four pour la friture. L'huile chaude peut endommager le four, le plateau ou même causer des brûlures.
44. Faites particulièrement attention lors de la manipulation des aliments et boissons chaudes car de la vapeur brûlante peut s'échapper.
45. Avant de déplacer le four, veillez toujours à retirer ou à verrouiller correctement le plateau tournant dans le four. Il pourrait autrement être endommagé.
46. N'utilisez pas le four si le plateau tournant n'est pas correctement installé.

47. Lorsque vous n'utilisez pas le four, n'y laissez pas de papier, ustensiles de cuisine ou aliments.
48. Gardez propre l'intérieur du four. Si les parois du four sont encrassées par des restes de jus, essuyez-les avec un chiffon humide. Si le four est fortement encrassé, vous pouvez utiliser une solution peu concentrée de produit vaisselle neutre.



AVERTISSEMENT

N'installez pas le four au-dessus d'une poêle ou d'une plaque de cuisson. Il existe un danger de dommages du four à micro-ondes.



AVERTISSEMENT

Surface chaude. Les surfaces accessibles peuvent devenir très chaudes lors du fonctionnement et peuvent rester chaudes quelques temps après la préparation. Évitez tout contact avec les surfaces chaudes. Il existe un danger de brûlure.



APERÇU GLOBAL

- 1 Verrouillage de sécurité de la porte
- 2 Fenêtre de la porte
- 3 Plateau tournant
- 4 Support de plateau tournant
- 5 Axe
- 6 Porte
- 7 Panneau de commande
- 8 Molette tournante de réglage de puissance
- 9 Molette tournante du minuteur

PARAMÈTRES TECHNIQUES

Puissance	230 V~ 50 Hz
Consommation	1 050 W
Puissance micro-ondes	700 W
Fréquence de fonctionnement	2 450 MHz
Niveau sonore	65 dB(A)
Volume	20 l (compact)
Dimensions externes	440 x 359 x 259 mm
Poids	10,44 kg

AVANT LA PREMIÈRE UTILISATION

Retirez de l'emballage l'appareil et ses accessoires. Retirez tous les éléments avant de jeter l'emballage. Vérifiez l'absence d'endommagement de l'appareil et de ses accessoires.

Installation

1. Veillez à retirer tous les matériaux d'emballage comme les sacs plastique, le polystyrène, etc. de l'intérieur du four.
2. Vérifiez l'absence de dommages sur le four, par exemple si la porte n'est pas endommagée, si le joint de porte est fonctionnel ou si les charnières et les verrous ne sont pas desserrés. En cas de dommage, n'utilisez pas le four et contactez un technicien de maintenance qualifié.
3. Le four à micro-ondes doit être placé sur une surface plane et stable pouvant en supporter le poids, ainsi que celui des aliments.

4. Ne placez pas le four près des sources de chaleur, dans les zones à forte humidité ou près de matériaux inflammables.
5. Un espace suffisant autour du four à micro-ondes est requis pour une circulation correcte de l'air. Laissez au moins 20 cm d'espace libre au-dessus du four, 10 cm à l'arrière et 5 cm sur les côtés. Ne recouvrez et ne bloquez pas les orifices de ventilation. Le retirez pas les pieds du four.
6. N'utilisez pas le four sans le plateau tournant, le support et l'axe.
7. Veillez à ce que le cordon d'alimentation ne soit pas placé sous le four ou au contact de surfaces tranchantes ou chaudes.
8. La prise doit rester facile d'accès afin de pouvoir débrancher rapidement la fiche si nécessaire.
9. N'utilisez pas le four à l'extérieur.



Avertissement:

Ne retirez pas le cache du magnétron situé sur le côté droit de l'intérieur du four.

Instructions de mise à la terre

Le four à micro-ondes doit être relié à la terre. Le four à micro-ondes est équipé d'un cordon d'alimentation avec une fiche de mise à la terre. La fiche doit être branchée à une prise correctement installée et reliée à la terre. La mise à la terre réduit le danger d'électrocution. Le courant électrique passe par le fil de mise à la terre en cas de court-circuit. Nous recommandons de brancher le four à micro-ondes à un circuit électrique indépendant. La tension élevée est dangereuse et peut causer un incendie ou un endommagement du four.



Avertissement:

Une prise incorrectement reliée à la terre peut causer un grave danger d'électrocution.



Note:

Si vous avez des questions sur la mise à la terre ou les instructions en matière d'électricité, contactez un technicien ou un réparateur qualifié.

Le constructeur et le vendeur ne peuvent pas être tenus pour responsables en cas de dommage ou de blessure du fait d'un problème de câblage électrique.

Interférence radio

Le fonctionnement du four à micro-ondes peut causer des interférences avec une radio, une télévision ou autre équipement similaire. En cas d'interférence, procédez comme suit pour réduire ou éliminer le problème.

1. Nettoyez la porte et le joint.
2. Changez l'emplacement de l'antenne radio ou TV.
3. Orientez le four dans une autre direction.
4. Éloignez le four du récepteur.
5. Branchez la fiche du four dans une prise différente que celle du récepteur, sur des circuits électriques séparés.

UTILISATION DU FOUR À MICRO-ONDES

Vérifiez que le plateau tournant est correctement installé avant l'utilisation. Le plateau doit tourner librement lorsque le four fonctionne.

1. Branchez la fiche d'alimentation à une prise électrique.
2. Placez les aliments à chauffer dans un récipient adapté au four à micro-ondes. Ouvrez la porte du four et placez le récipient contenant les aliments sur le plateau tournant.
3. Fermez la porte du four et utilisez la molette de puissance pour régler la puissance souhaitée et la molette du minuteur pour régler le temps de cuisson.

Molette tournante	Puissance en %	Description
Bas	17 %	Basse puissance
M.Low (décongélation)	33 %	Puissance moyenne-basse (décongélation)
Med	55 %	Puissance moyenne
M.High	77 %	Puissance moyenne-haute
High	100 %	Haute puissance

Attention :

Ne laissez pas le four sans surveillance lorsqu'il est en fonctionnement.

4. Ouvrez la porte pour vérifier l'état des aliments lors du chauffage. Le four s'arrête alors automatiquement. Fermez la porte pour poursuivre le chauffage.
5. Le four s'arrête automatiquement une fois le temps prédéfini écoulé. Pour arrêter le chauffage prématurément, mettez la molette du minuteur en position 0.
6. Retirez le récipient à aliments du four. Les assiettes peuvent chauffer par transfert thermique depuis les aliments. Nous recommandons de porter des gants de cuisine.
7. Vérifiez la température des aliments avant la consommation.
8. Si vous optez pour la décongélation, utilisez le minuteur pour régler le poids entre 0,2 kg et 1,0 kg.

Principes de base de la cuisson micro-ondes

1. Disposez les aliments avec attention. Placez les tranches plus épaisses vers les bords du récipient.
2. Réglez correctement le temps de cuisson. Nous recommandons de régler un temps plus court et de prolonger la cuisson si nécessaire. De la fumée ou une combustion peuvent apparaître lors de la cuisson à haute température.
3. Couvrez les aliments avant la préparation. Cela évite des projections de jus et permet un chauffage homogène.
4. Pour accélérer la préparation de certains aliments comme le poulet ou les hamburgers, retournez-les une fois pendant la préparation. Les gros aliments, comme les rôtis, doivent être retournés plusieurs fois.
5. Pour certains aliments, comme les boulettes de viande, refaites la disposition avant-arrière et centre-bord pendant la préparation.

Sécurité et micro-ondes

1. Les micro-ondes ne traversent pas le métal, il est donc important de procéder de manière adéquate. N'utilisez pas d'ustensiles en métal pour chauffer les aliments ou les boissons sans si le fabricant indique le type et la nature exacte des ustensiles métalliques.
2. N'utilisez pas d'accessoires de cuisson avec un cadre métallique ou un revêtement contenant du métal.
3. N'utilisez pas d'accessoires en papier recyclé car ils peuvent contenir de petites quantités de particules métalliques pouvant générer des étincelles et/ou un incendie.
4. Les récipients de cuisson ronds et ovales sont préférables aux récipients ronds car les aliments présents dans les coins ont tendance à surchauffer.
5. De fines feuilles de papier d'aluminium peuvent être utilisées pour recouvrir les aliments fragiles. Faites attention à ne pas en mettre excessivement. La distance entre l'aluminium et la paroi intérieure doit être supérieure à 2,5 cm.

Pratiques de cuisine	Adapté/inadapté
Verre résistant à la chaleur	Oui
Verre ordinaire (non résistant à la chaleur)	Non
Céramique résistant à la chaleur	Oui
Récipients de cuisson en plastique pour micro-onde	Oui
Papier cuisson	Oui
Plateau en métal	Non
Grille en métal	Non
Papier aluminium, récipient en aluminium	Non

NETTOYAGE ET ENTRETIEN

Avant le nettoyage, arrêtez le four et débranchez la fiche de la prise électrique. Gardez propre l'intérieur du four. Essuyez les restes d'aliments et de liquides avec une éponge douce légèrement humide. Si l'intérieur est fortement encrassé, utilisez une faible quantité de produit vaisselle sur l'éponge. N'utilisez pas de sprays ou autres détergents agressifs. Ils peuvent laisser des taches ou des souillures. Essuyez la surface extérieure avec une éponge douce légèrement humide. Pour éviter un endommagement des équipements intérieurs du four, veillez à ce que l'eau ne rentre pas par les orifices de ventilation. Nettoyez régulièrement la porte et la fenêtre sur les deux faces, ainsi que le joint de porte et les surfaces adjacentes avec une éponge douce et légèrement humide pour éliminer les taches et les salissures. N'utilisez pas de produits détergents agressifs.

N'utilisez pas de nettoyeur vapeur pour nettoyer le four.

Évitez de mouiller le panneau de commande. Essuyez-le avec un chiffon propre et sec. Lors du nettoyage du panneau de commande, laissez la porte ouverte afin d'éviter un démarrage intempestif.

Si de la vapeur se condense à l'intérieur du four et sur la face extérieure de la porte, essuyez avec un tissu sec. De la vapeur peut se condenser lors de la préparation d'aliments contenant beaucoup d'eau. Ceci est normal.

Nettoyez régulièrement le plateau tournant. Lavez-le à l'eau chaude avec une faible quantité de produit vaisselle. Vous pouvez également le laver au lave-vaisselle.

Nettoyez le support de plateau tournant et le bas du four à micro-ondes de manière régulière afin d'éviter un bruit excessif. Essuyez le bas avec une éponge douce légèrement humide. Lavez-le à l'eau chaude avec une faible quantité de produit vaisselle. Vous pouvez également le laver au lave-vaisselle. Lors de la réinstallation dans le four, veillez à ce qu'il soit correctement positionné sur l'axe.

Si vous voulez éliminer une odeur désagréable de l'intérieur du four, mettez de l'eau dans un grand bol et ajoutez du jus et du zeste d'un citron. Faites fonctionner le four pendant 5 minutes. Essuyez ensuite les parois externes avec une éponge, puis avec un tissu sec.

En cas de panne de la lampe fluorescente du four, contactez un centre de maintenance agréé.

Le four doit être nettoyé régulièrement et les restes d'aliments retirés. Autrement, le revêtement de surface de l'intérieur du four peut être endommagé, ce qui risque d'avoir un effet négatif sur la durée de vie du four et créer une situation dangereuse.

Avertissement :

Afin de prévenir les risques d'électrocution, ne plongez pas l'équipement, le cordon d'alimentation ou la fiche dans de l'eau ou d'autres liquides.

Avant de contacter un centre de service après-vente agréé

Vérifiez ce qui suit avant de vous adresser à un centre de service après-vente agréé

- Vérifiez que la fiche d'alimentation est correctement branchée à une prise électrique. Sinon, retirez-la, patientez 10 secondes et rebranchez.
- Vérifiez le disjoncteur. Si tout semble normal, testez la prise en branchant un autre appareil.
- Vérifiez que vous avez sélectionné la préparation et le temps corrects.
- Vérifiez si la porte est correctement fermée. Le four ne peut sinon pas démarrer.

SI LE PROBLÈME PERSISTE OU NE FIGURE PAS CI-DESSUS, ARRÊTEZ LE FOUR, DÉBRANCHEZ LA FICHE DE LA PRISE ET CONTACTEZ UN CENTRE DE MAINTENANCE AGRÉÉ. IL EST INTERDIT DE RÉPARER OU DE MODIFIER LE FOUR. L'APPAREIL NE CONTIENT AUCUN COMPOSANT POUVANT ÊTRE RÉPARÉ PAR L'UTILISATEUR.

Grazie per aver acquistato un elettrodomestico SIGURO. Vi siamo grati per la fiducia accordataci e siamo lieti di presentarvi l'elettrodomestico, nelle pagine seguenti, oltre a farvi conoscere tutte le sue funzioni e utilizzi.

Crediamo in un'azienda equa e responsabile e quindi lavoriamo solo con fornitori che soddisfano i nostri rigorosi criteri di protezione degli interessi dei dipendenti, prevenzione degli abusi e garanzia di condizioni di lavoro eque.

Se si necessita di aiuto per una manutenzione o riparazione ampia del prodotto, che richieda l'intervento nelle sue parti interne, il nostro servizio assistenza autorizzato è disponibile all'indirizzo e-mail siguro@alza.cz oppure tramite gli operatori all'infoline del fornitore. Abbiamo unificato questi punti di contatto per comodità degli utenti nella risoluzione di eventuali problemi con il prodotto. I contatti indicati sopra possono essere utilizzati, caso di reclami o assistenza post- garanzia.

INFORMAZIONI DI SICUREZZA



Leggere attentamente questo manuale prima dell'uso e conservarlo per riferimento futuro.

1. Questo elettrodomestico può essere utilizzato da parte di bambini di età non inferiore a 8 anni e da persone con capacità fisiche, sensoriali o mentali ridotte o con mancanza di esperienza e conoscenza, a condizione che vengano supervisionate o siano state istruite sull'uso dell'apparecchio in modo sicuro e ne abbiano compreso i potenziali pericoli
2. I bambini non devono giocare con il dispositivo.
3. Pulizia e manutenzione da parte dell'utente non devono essere eseguite da bambini senza supervisione.
4. Se il cavo di alimentazione è danneggiato, deve essere sostituito dal produttore, da un suo tecnico dell'assistenza o da persone similmente qualificate per evitare una situazione pericolosa.
5. I bambini di età inferiore a 8 anni devono essere tenuti fuori dalla portata dell'elettrodomestico e della sua alimentazione elettrica.
6. L'apparecchio non è concepito per essere controllato da un programmatore, un timer esterno o un telecomando.
7. Pulire sempre le parti dell'apparecchio a contatto con gli alimenti nel rispetto delle istruzioni contenute in questo manuale.
8. **ATTENZIONE:** Se lo sportello o la guarnizione dello sportello sono danneggiati, il forno non deve essere messo in funzione fino a quando non è stato riparato da personale qualificato.
9. **ATTENZIONE:** Non è sicuro per qualsiasi persona, diversa da una persona qualificata, eseguire lavori di riparazione o manutenzione che comportino la rimozione di una copertura che fornisce protezione dalle radiazioni di energia a microonde.

10. **ATTENZIONE:** Liquidi e altri alimenti non devono essere riscaldati in contenitori chiusi poiché potrebbero esplodere.
11. Questo elettrodomestico è destinato all'uso in casa e in spazi simili, come:
 - angoli cottura in negozi, uffici e altri ambienti di lavoro;
 - in agricoltura;
 - da ospiti di hotel, motel e altre strutture residenziali,
 - in strutture di bed and breakfast.
12. Per garantire una circolazione d'aria sufficiente, è necessario lasciare uno spazio libero intorno al forno a microonde. Lasciare uno spazio libero di almeno 20 cm sopra la superficie superiore del forno e 10 cm dietro e ai lati. Non ostruire le aperture del forno. Non rimuovere i piedini del forno.
13. Utilizzare solo contenitori adatti all'uso nei forni a microonde.
14. Non utilizzare contenitori in metallo per preparare o riscaldare cibi e bevande a meno che il produttore non specifichi le dimensioni e la forma dei contenitori di metallo adatti alla cottura a microonde.
15. Quando si riscaldano cibi in contenitori di plastica o di carta, controllare di tanto in tanto il forno per evitare che prendano fuoco.
16. Il forno a microonde è progettato per scongelare, preparare e riscaldare cibi e bevande. Utilizzarlo solo per gli scopi descritti in questo manuale. L'essiccazione di alimenti, l'asciugatura di indumenti e il riscaldamento di piastre riscaldanti, scarpe per la casa, spugne di lavaggio, tessuti umidi e oggetti simili possono comportare il rischio di lesioni o incendi.
17. Se c'è del fumo, spegnere l'apparecchio o staccare la spina dalla presa e tenere lo sportello chiuso per evitare la propagazione di un eventuale incendio.
18. Il riscaldamento delle bevande a microonde può comportare una cottura ritardata, che deve essere presa in considerazione quando si afferra il contenitore. Prestare attenzione quando si maneggia il contenitore.
19. Il contenuto di biberon e pappe deve essere miscelato o agitato e la temperatura dev'essere controllata prima del consumo, per evitare scottature.
20. Uova con guscio e uova sode intere non devono essere riscaldate nei forni a microonde poiché potrebbero esplodere anche dopo la cottura.
21. Pulire regolarmente da sporco ed eventuali residui di cibo lo sportello e la finestra del forno su entrambi i lati, le guarnizioni dello sportello e le zone adiacenti. Si consiglia di utilizzare una soluzione diluita di detersivo neutro da cucina per la pulizia. Assicurarsi che non vi siano residui di detersivo all'interno dello sportello.
22. Pulire regolarmente il forno secondo le istruzioni di cui sopra e rimuovere eventuali residui di cibo.
23. La mancata pulizia del forno potrebbe causare danni alla superficie che potrebbero influire negativamente sulla durata dell'apparecchio e creare una situazione di pericolo.
24. L'apparecchio non deve essere pulito con un pulitore a vapore.
25. Il forno a microonde è predisposto per essere posizionato sul piano di lavoro ad un'altezza massima di 900 mm.
26. Questo forno a microonde è progettato per essere utilizzato come forno a installazione libera. Non è progettato per essere integrato o in un mobile.

27. Il microonde non deve essere riposto in un armadietto.
28. Il forno a microonde può essere posizionato contro la parete.
29. Non rimuovere il distanziatore sul retro o sui lati in quanto garantisce una distanza minima dalla parete per una corretta circolazione dell'aria.
30. **ATTENZIONE:** Il forno a microonde e le sue superfici accessibili si riscaldano durante l'uso. Prestare particolare attenzione per evitare ustioni.
31. Non utilizzare il microonde all'aperto e non esporlo alle intemperie.
32. Prima di collegare l'elettrodomestico all'alimentazione, assicurarsi che la tensione indicata sulla targhetta corrisponda alla tensione della presa elettrica. Collegare l'apparecchio solo a una presa adeguatamente messa a terra.
33. Non posizionare il forno a microonde su davanzali, vaschette raccogliogocce o su superfici instabili. Posizionarlo sempre su una superficie stabile, piana e asciutta.
34. Non utilizzare prodotti chimici corrosivi o fumi nel forno a microonde. Non utilizzare il forno a microonde per scopi industriali o di laboratorio.
35. Non far funzionare il forno a microonde vuoto.
36. Non utilizzare il forno a microonde se il cavo di alimentazione o la spina sono danneggiati, se non funziona correttamente, se è danneggiato o se è caduto.
37. Gli utensili da cucina possono surriscaldarsi a causa del trasferimento di calore dal cibo riscaldato. A volte potrebbe essere necessario utilizzare guanti protettivi.
38. Non utilizzare nel forno a microonde gli utensili da cucina e i gadget elencati di seguito:
 - pentole o utensili in metallo, con manici in metallo o decorazioni in metallo;
 - pinze su sacchetti di plastica;
 - piatti con rivestimento in melanina;
 - termometri comuni, usati ad es. per misurare la temperatura della carne, ecc.
39. Non utilizzare mai il forno a microonde nelle immediate vicinanze di una vasca da bagno, una doccia o una piscina.
40. Forare gli alimenti con la buccia, come patate, zucca, mele o castagne, più volte con una forchetta o un coltello prima di riscaldarli nel microonde.
41. Non danneggiare il sistema di chiusura dello sportello di sicurezza.
42. Non tentare di utilizzare il microonde con lo sportello aperto. Ci si potrebbe esporre a microonde dannose.
43. Non friggere cibo nel microonde. L'olio bollente può danneggiare parti del forno, pentole o addirittura causare ustioni cutanee.
44. Prestare particolare attenzione quando si maneggiano cibi e bevande riscaldati, poiché potrebbe fuoriuscire vapore caldo.
45. Prima di spostare il forno, assicurarsi sempre che il piatto rotante sia rimosso o bloccato saldamente all'interno del forno. In caso contrario, potrebbero verificarsi danni.
46. Non utilizzare il forno senza piatto girevole installato correttamente.

47. Quando non si utilizza il forno, non lasciare materiali cartacei, utensili da cucina o alimenti all'interno.
48. Mantenere pulito l'interno del forno. Se le pareti del forno sono macchiate di succhi di alimenti, pulirle con un panno umido. Se il forno è più sporco, è possibile usare una soluzione diluita di detersivo da cucina neutro.



ATTENZIONE

Non installare il forno sopra la stufa o il piano cottura. Pericolo di danneggiamento del forno a microonde.



ATTENZIONE

Superficie calda. Le superfici accessibili possono surriscaldarsi durante l'uso e rimanere calde per qualche tempo dopo il completamento della preparazione. Evitare il contatto con la superficie calda. Rischio di ustioni.



DESCRIZIONE GENERALE

- 1 Sistema di sicurezza della serratura dello sportello
- 2 Finestra dello sportello
- 3 Piatto rotante
- 4 Portapiatto rotante
- 5 Alberino
- 6 Sportello
- 7 Pannello di controllo
- 8 Manopola per la regolazione della potenza
- 9 Manopola di controllo del tempo

PARAMETRI TECNICI

Potenza	230 V ~ 50 Hz
Consumo energetico	1.050 W
Potenza del microonde	700 W
Frequenza operativa	2.450 MHz
Rumore	65 dB(A)
Volume	20 l (compatto)
Dimensioni esterne	440 × 359 × 259 mm
Peso	10,44 kg

PRIMA DEL PRIMO UTILIZZO

Estrarre l'elettrodomestico e i suoi accessori dall'imballaggio. Prima di smaltire l'imballaggio, assicurarsi di rimuovere tutti i componenti. Controllare se l'apparecchio e gli accessori presentano danni.

Installazione

1. Assicurarsi di rimuovere eventuale materiale di imballaggio come sacchetti di plastica, polistirolo, ecc. dall'interno del forno.
2. Controllare il forno per eventuali danni, ad es. sportello del forno posizionato male o ammaccato, guarnizioni degli sportelli danneggiati o cerniere o serrature allentate. Se si riscontrano danni, non utilizzare il forno e contattare un tecnico di assistenza qualificato.
3. Il forno a microonde deve essere posizionato su una superficie piana e stabile in grado di sostenerne il peso con anche il cibo caricato.

4. Non posizionare il forno vicino a fonti di calore, in aree con elevata umidità o vicino a materiali combustibili.
5. Uno spazio sufficiente intorno al forno a microonde è essenziale per garantirne il corretto funzionamento. Lasciare almeno 20 cm di spazio libero sopra la parte superiore del forno, 10 cm sul retro e 5 cm ai lati. Non coprire o ostruire le aperture di ventilazione. Non rimuovere i piedini del forno.
6. Non utilizzare il forno senza il piatto rotante, il supporto e l'alberino installati.
7. Assicurarsi che il cavo di alimentazione non sia posizionato sotto il fondo del forno o a contatto con superfici calde o taglienti.
8. La presa deve rimanere facilmente accessibile in modo che la spina possa essere estratta rapidamente, se necessario.
9. Non utilizzare il forno microonde all'aperto.



Attenzione:

Non rimuovere la copertura del magnetron, che si trova sul lato destro dell'interno del forno.

Istruzioni per la messa a terra

Questo forno a microonde deve essere collegato a terra. Il forno a microonde è dotato di un cavo di alimentazione dotato di un filo di terra con una spina di messa a terra. La spina deve essere collegata a una presa correttamente installata e dotata di messa a terra. La messa a terra riduce il rischio di scosse elettriche. La corrente elettrica viene condotta attraverso il filo di terra durante un cortocircuito. Si consiglia di collegare il forno a un circuito elettrico separato. L'alta tensione è pericolosa e può causare incendi o danni al forno.



Attenzione:

Una presa con messa a terra non corretta può causare il rischio di scosse elettriche.



Nota:

In caso di domande sulla messa a terra o sulle istruzioni elettriche, contattare un elettricista o un riparatore qualificato. Né il produttore né il venditore possono essere ritenuti responsabili per eventuali danni al forno o lesioni causati da cablaggio elettrico improprio.

Interferenze radio

Il funzionamento del forno a microonde può causare interferenze con la radio, la TV o apparecchiature simili. Se si nota un'interferenza, attenersi alla seguente procedura per ridurla o eliminarla.

1. Pulisci lo sportello e le guarnizioni dello sportello.
2. Riposizionare l'antenna radio o TV.
3. Puntare il microonde lontano dal ricevitore.
4. Allontanare il microonde dal ricevitore.
5. Collegare la spina di alimentazione del forno a microonde a una presa diversa in modo che il forno e il ricevitore si trovino su circuiti elettrici separati.

UTILIZZO DEL FORNO A MICROONDE

Prima dell'uso, assicurarsi che la piastra rotante sia installata correttamente. Quando il forno a microonde è in funzione, la piastra deve ruotare liberamente.

1. Collegare la spina di alimentazione a una presa di corrente.
2. Mettere il cibo che si desidera riscaldare in un contenitore adatto al microonde. Aprire lo sportello del forno e posizionare il contenitore per alimenti sul piatto rotante.
3. Chiudere lo sportello del forno e utilizzare la manopola della potenza per impostare la potenza desiderata e la manopola del timer per impostare il tempo di riscaldamento.

Manopola	Potenza in %	Descrizione
Basso	17%	Bassa potenza
Medio-bassa (sbrinamento)	33%	Potenza medio-bassa (sbrinamento)
Med	55%	Potenza media
Medio-alta	77%	Potenza medio-alta
Alta	100%	Potenza elevata

Attenzione:

Non lasciare l'apparecchio incustodito mentre è in funzione.

4. Se è necessario controllare le condizioni degli alimenti durante il riscaldamento, aprire lo sportello. Il microonde si fermerà automaticamente. Chiudere lo sportello per continuare a riscaldare.
5. Il microonde si spegnerà automaticamente allo scadere del tempo impostato. Se è necessario interrompere il riscaldamento in anticipo, impostare la manopola del timer su 0.
6. Rimuovere il contenitore per alimenti dal microonde. I piatti possono surriscaldarsi a causa del trasferimento di calore dal cibo riscaldato. Si consiglia di utilizzare guanti da cucina protettivi.
7. Controllare la temperatura del cibo prima del consumo.
8. Se si sceglie lo sbrinamento, utilizzare il controllo del timer per impostare il peso tra 0,2 kg e 1,0 kg.

Principi di cottura a microonde

1. Disporre il cibo con cura. Mettere i pezzi di cibo più spessi attorno al perimetro del contenitore.
2. Impostare correttamente il tempo di cottura. Si consiglia di impostare un tempo più breve e di allungarlo in seguito, se necessario. Quando il cibo viene cotto ad alte temperature possono verificarsi fumo o ignizione.
3. Coprire il cibo prima della preparazione. In questo modo si evitano schizzi di succhi e si riscalda il cibo in modo uniforme.
4. Per velocizzare la preparazione di alcuni cibi, come pollo o hamburger, girarli una volta durante la preparazione. I pezzi di cibo più grandi, come gli arrosti, devono

essere girati più volte.

5. Per alcuni alimenti, come le polpette, riallineare sia dall'alto verso il basso che dal centro al bordo durante la preparazione.

Stoviglie adatte al microonde

1. Le microonde non possono penetrare nel metallo, quindi è importante scegliere le pentole giuste da utilizzare nel microonde. Non utilizzare utensili in metallo per riscaldare cibi o bevande a meno che il produttore non specifichi il tipo e la forma esatti per gli utensili in metallo.
2. Non utilizzare pentole con bordo in metallo o smalto contenente metallo.
3. Non utilizzare utensili in carta riciclata in quanto possono contenere piccole quantità di parti metalliche che possono provocare scintille e/o incendi.
4. Le pentole rotonde/ovali sono preferibili alle pentole quadrate in quanto i pezzi di cibo negli angoli tendono a surriscaldarsi.
5. Piccoli pezzi di pellicola di alluminio possono essere utilizzate per coprire parti sottili o fragili del cibo. Attenzione però a non usare troppa pellicola di alluminio. È importante che la distanza tra la pellicola di alluminio e la parete interna sia maggiore di 2,5 cm.

Stoviglie	Adatto/non adatto
Vetro resistente al calore	Sì
Vetro ordinario (non resistente al calore)	No
Ceramiche resistenti al calore	Sì
Pentole per microonde in plastica	Sì
Carta da cucina	Sì
Vassoio in metallo	No
Griglia in metallo	No
Pellicola di alluminio, contenitori di alluminio	No

PULIZIA E MANUTENZIONE

Prima della pulizia, spegnere il forno e staccare la spina dalla presa di corrente.

Mantenere pulito l'interno del forno. Eliminare residui di cibo e liquidi con una spugna morbida e leggermente inumidita. Se l'interno è molto sporco, utilizzare una piccola quantità di detersivo per piatti applicato su una spugna. Non utilizzare spray o altri detersivi aggressivi. Possono lasciare macchie o sbavature.

Pulire la superficie esterna con una spugna morbida e leggermente inumidita. Per evitare danni alle parti operative all'interno del forno, assicurarsi che non penetri acqua all'interno del forno attraverso i fori di ventilazione.

Pulire regolarmente lo sportello e la finestra su entrambi i lati, le guarnizioni dello sportello e le superfici adiacenti con una spugna morbida e leggermente umida per

rimuovere macchie e sporco. Non utilizzare detergenti aggressivi.

Non utilizzare un pulitore a vapore per pulire il forno.

Impedire che il pannello di controllo si bagni. Pulirlo con un panno pulito e asciutto.

Durante la pulizia del pannello di controllo, lasciare lo sportello aperto per evitare che il forno si avvii accidentalmente.

Se si accumula vapore all'interno del forno e all'esterno dello sportello, pulirlo con un panno asciutto. Vapore può accumularsi durante la preparazione di cibi ad alto contenuto di acqua. Ciò è normale.

Pulire regolarmente il piatto rotante. Lavarlo in acqua calda con poco detersivo per piatti. È possibile anche lavarlo in lavastoviglie.

Pulire regolarmente il supporto del piatto rotante e il fondo del microonde per evitare rumori eccessivi. Pulire il fondo con una spugna morbida e leggermente inumidita.

Lavarlo in acqua calda con poco detersivo per piatti. È possibile anche lavarlo in lavastoviglie. Quando lo si rimonta nel forno, assicurarsi che sia posizionato correttamente sull'alberino.

Se è necessario eliminare un odore sgradevole dall'interno del forno, versare dell'acqua in una ciotola grande e aggiungere il succo e la scorza di un limone. Accendete il microonde per 5 minuti. Quindi pulire le pareti interne con una spugna e poi con un panno asciutto.

In caso di rottura di una lampadina fluorescente all'interno del forno, contattare un centro assistenza autorizzato.

Il forno deve essere pulito regolarmente e i residui di cibo rimossi. La mancata osservanza di questa precauzione può danneggiare la finitura dell'interno del forno, il che può influire negativamente sulla durata del forno e creare una situazione di pericolo.

Attenzione:

Per evitare il rischio di scosse elettriche, non immergere l'apparecchio, il cavo di alimentazione o la spina in acqua o in altro liquido.

Prima di contattare un centro assistenza autorizzato

Verificare quanto segue prima di contattare un centro assistenza autorizzato:

- Verificare che la spina di alimentazione sia correttamente inserita nella presa di corrente. In caso contrario, rimuoverla, attendere 10 secondi e quindi collegarla.
- Controllare se l'interruttore è scattato. Se tutto sembra a posto, provare la presa collegando e accendendo un altro apparecchio.
- Verificare di aver selezionato la preparazione corretta e impostare il tempo di preparazione.
- Verificare che lo sportello sia aperto correttamente. In caso contrario, non è possibile avviare il forno.

SE IL PROBLEMA NON È ELENcato SOPRA O PERSISTE, SPEGNERE IL FORNO A MICROONDE, STACCARE LA SPINA DI ALIMENTAZIONE DALLA PRESA DI CORRENTE E CONTATTARE UN CENTRO ASSISTENZA AUTORIZZATO. È VIETATO RIPARARE O MODIFICARE IL FORNO A MICROONDE. IL FORNO NON CONTIENE ALCUNA PARTE RIPARABILE DALL'UTENTE.

Vă mulțumim că ați achiziționat un aparat SIGURO. Suntem recunoscători pentru încrederea dumneavoastră și suntem încântați să vă prezentăm aparatul în paginile următoare și să vă familiarizăm cu toate funcțiile și utilizările sale.

Credem într-o companie corectă și responsabilă și, prin urmare, lucrăm doar cu furnizori care îndeplinesc criteriile noastre stricte pentru protejarea intereselor angajaților, prevenirea abuzării acestora și oferirea unor condiții de muncă corecte.

Dacă aveți nevoie de ajutor pentru întreținerea sau repararea extensivă a produsului, care necesită intervenție la părțile sale interne, service-ul nostru autorizat este disponibil pentru dumneavoastră la adresa de e-mail siguro@alza.cz, sau apelați operatorii la linia de informații a vânzătorului. Am unificat aceste puncte de contact pentru confortul dumneavoastră pentru soluționarea oricăror probleme cu produsul, iar contactele de mai sus pot fi utilizate în cazul oricăror reclamații sau oricăror solicitări de service post-garanție.

INFORMAȚII PRIVIND SIGURANȚA



Înainte de utilizare, vă rugăm să citiți cu atenție acest manual și să-l păstrați pentru referințe viitoare.

1. Acest aparat este destinat utilizării de către copii cu vârsta de 8 ani și mai mari și de către persoane cu capacități fizice, senzoriale sau mentale reduse sau cu lipsă de experiență și cunoștințe, cu condiția să fie sub supraveghere sau să fi beneficiat de instruire privitor la utilizarea în siguranță a aparatului și să fi înțeles potențialele pericole.
2. Copiii nu trebuie să se joace cu dispozitivul.
3. Curățarea și întreținerea nu trebuie să fie efectuate de către copii fără a fi supravegheați.
4. În cazul în care cablul de alimentare este deteriorat, acesta trebuie înlocuit de producător, de agentul său de service sau de o persoană calificată în mod similar pentru a evita o situație periculoasă.
5. Copiii cu vârsta sub 8 ani trebuie să fie ținuti departe de aparat și de sursa de alimentare a acestuia.
6. Aparatul nu este conceput pentru a fi controlat prin intermediul unui programator, al unui cronometru extern sau al unui sistem de control de la distanță.
7. Curățați întotdeauna părțile aparatului care intră în contact cu alimentele, conform instrucțiunilor din acest manual.
8. **AVERTIZARE:** Dacă ușa sau garnitura ușii este deteriorată, cuptorul nu trebuie să fie utilizat decât după repararea acestuia de către o persoană instruită.
9. **AVERTIZARE:** Este nesigur pentru orice persoană, alta decât o persoană

instruită, să efectueze orice lucrări de reparații sau de întreținere care au ca rezultat îndepărtarea oricărui capac care oferă protecție împotriva energiei radiațiilor cu microunde.

10. **AVERTIZARE:** Lichidele și alte alimente nu trebuie încălzite în recipiente închise, deoarece sunt predispuse la explozie.
11. Acest aparat este destinat utilizării în mediul casnic și în alte zone similare precum:
 - bucătării mici în magazine, birouri și alte locuri de muncă;
 - în agricultură;
 - de oaspeții din hoteluri, moteluri și alte unități rezidențiale;
 - în instituții de cazare.
12. Pentru a asigura o circulație suficientă a aerului, trebuie lăsat un spațiu liber în jurul cuptorului cu microunde. Lăsați un spațiu liber de cel puțin 20 de cm deasupra suprafeței superioare a cuptorului și de 10 cm în partea din spate și în părțile laterale. Nu blocați nicio deschidere a cuptorului. Nu scoateți picioarele cuptorului.
13. Utilizați numai recipiente potrivite pentru utilizare în cuptoarele cu microunde.
14. Nu utilizați recipiente metalice pentru pregătirea sau încălzirea alimentelor și băuturilor cu excepția cazului în care producătorul specifică dimensiunea și forma recipientelor metalice potrivite pentru gătit la microunde.
15. Atunci când încălziți alimente în recipiente din plastic sau din hârtie, verificați ocazional cuptorul pentru a preveni aprinderea.
16. Cuptorul cu microunde este conceput pentru dezghețarea, pregătirea și încălzirea alimentelor și băuturilor. Utilizați-l numai în scopurile menționate în acest manual. Uscarea alimentelor sau a îmbrăcăminte și încălzirea tampoanelor de încălzire, pantofilor de casă, bureților de spălat, materialelor textile umede și a articolelor similare pot duce la un risc de vătămare corporală, aprindere sau incendiu.
17. Dacă există fum, opriți aparatul sau trageți fișa din priză și țineți ușa închisă pentru a preveni răspândirea oricărui incendiu.
18. Încălzirea băuturilor la microunde poate cauza întârzierea gătirii, întârziere care trebuie luată în considerare atunci când țineți recipientul. Aveți grijă atunci când manipulați recipientul.
19. Conținutul biberoanelor și al hranei pentru copii trebuie amestecat sau agitat și temperatura trebuie verificată înainte de consum pentru a preveni opărirea.
20. Ouăle în coajă și ouăle întregi fierte tari nu trebuie încălzite în cuptoarele cu microunde, deoarece pot exploda chiar și după gătit la microunde.
21. Curățați în mod regulat ușa și fereastra cuptorului pe ambele părți, garniturile ușii și zonele adiacente pentru a îndepărta murdăria și orice reziduuri alimentare. Vă recomandăm să utilizați o soluție slabă de detergent neutru de bucătărie pentru curățare. Asigurați-vă că nu există reziduuri de detergent în interiorul ușii.
22. Curățați cuptorul în mod regulat conform instrucțiunilor de mai sus și eliminați orice reziduuri alimentare.
23. Eșecul păstrării cuptorului în stare curată poate duce la deteriorarea

suprafeței, lucru care ar putea afecta negativ durata de viață a aparatului și ar putea duce la o situație periculoasă.

24. Aparatul nu trebuie curățat cu un curățător cu aburi.
25. Cuptorul cu microunde este conceput pentru a fi amplasat pe blatul de lucru la o înălțime maximă de 900 mm.
26. Acest cuptor cu microunde este conceput pentru a fi utilizat drept cuptor de sine stătător. Nu este conceput pentru a fi încorporat sau amplasat într-un dulap.
27. Cuptorul cu microunde nu trebuie amplasat într-un dulap.
28. Cuptorul cu microunde poate fi amplasat pe perete.
29. Nu scoateți distanțierul din partea din spate sau din părțile laterale, deoarece distanțierul asigură o distanță minimă față de perete pentru o circulație adecvată a aerului.
30. **AVERTIZARE:** Cuptorul cu microunde și suprafețele accesibile ale acestuia se încălzesc în timpul utilizării. Aveți grijă deosebită pentru a evita arsurile.
31. Nu utilizați cuptorul cu microunde în aer liber și nu îl expuneți la intemperii.
32. Înainte de conectarea aparatului la alimentarea cu energie electrică, asigurați-vă că tensiunea indicată pe plăcuța tehnică a aparatului corespunde cu tensiunea de la priza electrică. Conectați aparatul numai la o priză cu împământare corespunzătoare.
33. Nu așezați cuptorul cu microunde pe pervazurile ferestrelor, pe tava de scurgere a blatului sau pe suprafețe instabile. Așezați-l întotdeauna pe o suprafață stabilă, plană și uscată.
34. Nu utilizați substanțe chimice corozive sau vapori corozivi în cuptorul cu microunde. Nu utilizați cuptorul cu microunde în scopuri industriale sau de laborator.
35. Nu porniți cuptorul cu microunde atunci când este gol.
36. Nu utilizați cuptorul cu microunde dacă cablul de alimentare este deteriorat sau fișa este deteriorată, dacă cuptorul cu microunde nu funcționează corespunzător, dacă este deteriorat sau dacă a căzut pe jos.
37. Ustensilele de bucătărie pot deveni fierbinți din cauza transferului de căldură de la alimentele încălzite. Uneori poate fi necesar să utilizați mănuși de protecție.
38. Nu utilizați în cuptorul cu microunde ustensilele și gadget-urile de gătit enumerate mai jos:
 - tigăi sau ustensile metalice cu mânere metalice sau cu decorații metalice;
 - cleme pe pungă din plastic;
 - veselă cu strat exterior care conține melanină;
 - termometre uzuale, utilizate de exemplu pentru a măsura temperatura cărnii etc.
39. Nu utilizați niciodată cuptorul cu microunde în imediata apropiere a unei băi, a unui duș sau a unei piscine.
40. Înțepați alimentele cu coajă, cum ar fi cartofii, dovleacul, merele sau castanele, de mai multe ori cu ajutorul unei furculițe sau al unui cuțit înainte de a le încălzi în cuptorul cu microunde.

41. Nu deteriorați sistemul de închidere a ușii de siguranță.
42. Nu încercați să utilizați cuptorul cu microunde cu ușa deschisă. Vă puteți expune la microunde dăunătoare.
43. Nu prăjiți alimente în cuptorul cu microunde. Uleiul fierbinte poate deteriora părți ale cuptorului și ale vaselor de gătit sau chiar poate cauza arsuri ale pielii.
44. Aveți grijă deosebită atunci când manipulați băuturi și alimente încălzite, deoarece se pot elibera aburi fierbinți.
45. Înainte de a muta cuptorul, asigurați-vă întotdeauna că platoul rotativ este îndepărtat sau este blocat în siguranță în interiorul cuptorului. În caz contrar, ar putea rezulta daune.
46. Nu utilizați cuptorul fără un platou rotativ instalat corespunzător.
47. Atunci când nu utilizați cuptorul, nu lăsați materiale din hârtie, ustensile de bucătărie sau alimente în interiorul acestuia.
48. Păstrați interiorul cuptorului în stare curată. Dacă pereții cuptorului sunt pătați cu sucuri alimentare, ștergeți pereții cuptorului cu o lavetă umedă. Dacă cuptorul este foarte murdar, puteți utiliza o soluție slabă de detergent neutru de bucătărie.



AVERTIZARE

Nu instalați cuptorul deasupra aragazului sau a plitei. Există un risc de deteriorare a cuptorului cu microunde.



AVERTIZARE

Suprafață fierbinte. Suprafețele accesibile pot deveni fierbinți în timpul utilizării și pot rămâne fierbinți pentru un timp după finalizarea preparării. Evitați contactul cu suprafața fierbinte. Există riscul de arsuri.



PREZENTARE GENERALĂ

- 1 Sistem de siguranță pentru blocarea ușii
- 2 Fereastra ușii
- 3 Platou rotativ
- 4 Suportul platoului rotativ
- 5 Arbore
- 6 Ușă
- 7 Panou de control
- 8 Buton rotativ pentru ajustarea puterii
- 9 Control cronometru rotativ

PARAMETRI TEHNICI

Alimentare cu energie electrică	230 V ~ 50 Hz
Consum de energie	1.050 W
Puterea cuptorului cu microunde	700 W
Frecvență de funcționare	2.450 MHz
Zgomot	65 dB (A)
Volum	20 l (compact)
Dimensiuni externe	440 x 359 x 259 mm
Greutate	10,44 kg

ÎNAINTE DE PRIMA UTILIZARE

Scoateți aparatul și accesoriile acestuia din ambalaj. Înainte de a arunca ambalajul, asigurați-vă că scoateți toate componentele. Verificați aparatul și accesoriile pentru a vedea dacă nu sunt deteriorate.

Instalare

1. Asigurați-vă că îndepărtați din interiorul cuptorului orice material de ambalare, cum ar fi pungi din plastic, polistiren etc.
2. Verificați cuptorul pentru a depista orice deteriorare, de exemplu ușa cuptorului slab montată sau crestată, garnituri deteriorate ale ușii sau balamale sau dispozitive de blocare slăbite. Dacă se constată defecțiuni, nu utilizați cuptorul și contactați un tehnician de service calificat.
3. Cuptorul cu microunde trebuie amplasat pe o suprafață plană, stabilă, care îi poate susține greutatea chiar și dacă încărcat cu alimente.

4. Nu amplasați cuptorul lângă surse de căldură, în zone cu umiditate ridicată sau lângă materiale combustibile.
5. Un spațiu liber adecvat în jurul cuptorului cu microunde este esențial pentru a asigura funcționarea corespunzătoare. Lăsați cel puțin 20 de cm de spațiu liber deasupra părții superioare a cuptorului, 10 cm în partea din spate și 5 cm în părțile laterale. Nu acoperiți și nu blocați orificiile de ventilație. Nu scoateți picioarele cuptorului.
6. Nu utilizați cuptorul fără instalarea platoului rotativ, a suportului și a arborelui.
7. Asigurați-vă că cablul de alimentare nu este amplasat sub partea inferioară a cuptorului și nu se află în contact cu suprafețe fierbinți sau ascuțite.
8. Priza trebuie să rămână ușor accesibilă, astfel încât fișa să poată fi scoasă rapid dacă este necesar.
9. Nu utilizați cuptorul cu microunde în exterior.



Avertizare:

Nu îndepărtați capacul magnetronului, care se află în partea dreaptă a interiorului cuptorului.

Instrucțiuni privitoare la împământare

Acest echipat cu microunde trebuie să fie împământat. Cuptorul cu microunde este echipat cu un cablu de alimentare care are un fir de împământare cu o fișă de împământare. Fișa trebuie conectată la o priză care este instalată și împământată corespunzător. Împământarea reduce riscul de electrocutare. Curentul electric este condus prin firul de împământare în timpul unui scurtcircuit. Vă recomandăm să efectuați conectarea cuptorului la un circuit electric separat. Tensiunea ridicată este periculoasă și poate cauza incendiu sau deteriorarea cuptorului.



Avertizare:

O priză împământată incorect poate cauza un risc de electrocutare.

Notă:



Dacă aveți întrebări despre împământare sau instrucțiunile privitoare la aspectele electrice, contactați un electrician sau un reparator calificat.

Nici producătorul, nici vânzătorul nu sunt răspunzători pentru orice daune aduse cuptorului sau vătămări cauzate de cablarea electrică necorespunzătoare.

Interferențe radio

Funcționarea cuptorului cu microunde poate cauza interferențe cu aparatul radio, cu televizorul sau cu echipamente similare. Dacă observați interferențe, luați următoarele măsuri pentru a reduce sau elimina interferența.

1. Curățați ușa și garniturile ușii.
2. Mutați antena pentru radio sau televizor.
3. Îndreptați cuptorul cu microunde departe de receptor.
4. Mutați cuptorul cu microunde mai departe de receptor.
5. Conectați fișa de alimentare a cuptorului cu microunde într-o priză diferită astfel încât cuptorul și receptorul să se afle în circuite electrice separate.

UTILIZAREA CUPTORULUI CU MICROUND

Înainte de utilizare, asigurați-vă că platoul rotativ este instalat corect. Atunci când cuptorul cu microunde este în funcțiune, platoul trebuie să se rotească liber.

1. Conectați fișa de alimentare la o priză de rețea.
2. Puneți alimentele pe care doriți să le încălziți într-un recipient special pentru cuptorul cu microunde. Deschideți ușa cuptorului și amplasați recipientul pentru alimente pe platoul rotativ.
3. Închideți ușa cuptorului și utilizați butonul rotativ pentru putere pentru a seta puterea dorită și butonul rotativ pentru cronometru pentru a seta timpul de încălzire.

Buton rotativ	Putere în %	Descriere
Scăzută	17 %	Putere scăzută
Medie-scăzută (dezghețare)	33 %	Putere medie-scăzută (dezghețare)
Medie	55 %	Putere medie
Medie-ridicată	77 %	Putere medie-ridicată
Mare	100 %	Putere ridicată

Atenție:

Nu lăsați cuptorul cu microunde nesupravegheat în timp ce funcționează.

4. Dacă trebuie să verificați starea alimentelor în timpul încălzirii, deschideți ușa. Cuptorul cu microunde se va opri automat. Închideți ușa pentru a continua încălzirea.
5. Cuptorul cu microunde se va opri automat după expirarea timpului setat. Dacă trebuie să opriți încălzirea mai devreme, setați butonul rotativ pentru cronometru la 0.
6. Scoateți recipientul pentru alimente din cuptorul cu microunde. Vesela poate deveni fierbinte din cauza transferului de căldură de la alimentele încălzite. Vă recomandăm să utilizați mănuși de protecție pentru bucătărie.
7. Verificați temperatura alimentelor înainte de a le consuma.
8. Dacă alegeți dezghețarea, utilizați controlul cronometrului pentru a seta greutatea între 0,2 kg și 1,0 kg.

Principii de gătit la cuptorul cu microunde

1. Aranjați alimentele cu grijă. Așezați bucățile mai groase de alimente în jurul perimetrului recipientului.
2. Setați corect timpul de gătit. Vă recomandăm să setați un timp mai scurt și să îl prelungiți dacă este necesar. Poate apărea fum sau se poate produce aprindere atunci când alimentele sunt gătite la temperaturi ridicate.
3. Acoperiți alimentele înainte de pregătire. Acest lucru previne stropirea cu zeamă/sucuri și încălzește alimentele uniform.
4. Pentru a grăbi pregătirea anumitor alimente, precum puiul sau hamburgerii, întoarceți-le o dată în timpul pregătirii. Bucățile mai mari de alimente, cum ar fi

fripturile, trebuie întoarse de mai multe ori.

5. Pentru unele alimente, cum ar fi chiftelele, aliniați din nou atât de sus în jos, cât și de la centru spre margine în timpul pregătirii.

Ustensile de bucătărie speciale pentru cuptorul cu microunde

1. Microundele nu pot pătrunde în metal, așa că este important să alegeți vasele de gătit potrivite pentru a le utiliza în cuptorul cu microunde. Nu utilizați ustensile metalice pentru încălzirea alimentelor și băuturilor cu excepția cazului în care producătorul specifică tipul exact și forma exactă pentru ustensilele metalice.
2. Nu utilizați vase de gătit cu margine metalică sau cu smalt care conține metal.
3. Nu utilizați ustensile din hârtie reciclată, deoarece acestea pot conține cantități mici de părți metalice care pot cauza scânteii și/sau incendiu.
4. Vasele de gătit rotunde/ovale sunt de preferat vaselor de gătit pătrate, deoarece bucățile de alimente din colțuri tind să se supraîncălzească.
5. Foliile subțiri de aluminiu pot fi utilizate pentru a acoperi părțile subțiri sau fragile ale alimentelor. Aveți grijă însă să nu utilizați prea multă folie de aluminiu. Este important ca distanța dintre folia de aluminiu și peretele interior să fie mai mare de 2,5 cm.

Ustensile de bucătărie	Potrivite/nepotrivite
Sticlă rezistentă la căldură	Da
Sticlă obișnuită (nu este rezistentă la căldură)	Nu
Ceramică rezistentă la căldură	Da
Vase de gătit din plastic pentru microunde	Da
Hârtie de bucătărie	Da
Tavă metalică	Nu
Grătar metalic	Nu
Folie de aluminiu, recipient din aluminiu	Nu

CURĂȚARE ȘI ÎNTREȚINERE

Înainte de curățare, opriți cuptorul și deconectați fișa de alimentare de la priza de rețea.

Păstrați interiorul cuptorului în stare curată. Ștergeți reziduurile de alimente și lichide cu un burete moale, ușor umezit. Dacă interiorul este foarte murdar, utilizați o cantitate mică de lichid de spălat vase aplicat pe un burete. Nu utilizați pulverizatoare sau alți agenți de curățare cu efect agresiv. Acestea/aceștia pot lăsa pete.

Ștergeți suprafața exterioară cu un burete moale, ușor umezit. Pentru a preveni deteriorarea componentelor de operare din interiorul cuptorului, asigurați-vă că apa

nu pătrunde în interiorul cuptorului prin orificiile de ventilație.

Ștergeți în mod regulat ușa și fereastra pe ambele părți, garniturile ușii și suprafețele adiacente cu un burete moale și ușor umed pentru a îndepărta petele și murdăria. Nu utilizați agenți de curățare cu efect agresiv.

Nu utilizați un curățător cu aburi pentru a curăța cuptorul.

Preveniți udarea panoului de control. Ștergeți-l cu o lavetă curată și uscată. Atunci când curățați panoul de control, lăsați ușa deschisă pentru a preveni pornirea accidentală a cuptorului.

Dacă se acumulează aburi în interiorul cuptorului și în afara ușii, ștergeți cu o lavetă uscată. Aburii se pot acumula la pregătirea alimentelor cu un conținut ridicat de apă. Acest lucru este normal.

Curățați platoul rotativ în mod regulat. Spălați-l în apă caldă cu puțin lichid de spălat vase. Îl puteți spăla și în mașina de spălat vase.

Curățați în mod regulat suportul rotativ al platoului și partea inferioară a cuptorului cu microunde pentru a preveni zgometul excesiv. Ștergeți partea inferioară cu un burete moale și ușor umezit. Spălați-l în apă caldă cu puțin lichid de spălat vase. Îl puteți spăla și în mașina de spălat vase. Atunci când îl instalați înapoi în cuptor, asigurați-vă că este montat corespunzător pe arbore.

Dacă trebuie să eliminați un miros neplăcut din interiorul cuptorului, turnați apă într-un vas mai mare și adăugați suc și coaja unei lămâi. Porniți cuptorul cu microunde timp de 5 minute. Apoi ștergeți pereții interiori cu un burete și apoi cu o lavetă uscată. Dacă un bec fluorescent din interiorul cuptorului se sparge, contactați un centru de service autorizat.

Cuptorul trebuie curățat în mod regulat și reziduurile alimentare trebuie eliminate. Nerespectarea acestei instrucțiuni poate deteriora finisajul interior al cuptorului, ceea ce poate afecta negativ durata de viață a cuptorului și poate crea o situație periculoasă.

Avertizare:

Pentru a evita riscul de electrocutare, nu scufundați aparatul, cablul de alimentare sau fișa în apă sau în alte lichide.

Înainte de contactarea unui centru de service autorizat

Verificați următoarele înainte de a contacta un centru de service autorizat:

- Verificați dacă fișa de alimentare este conectată corect la priza de rețea. În caz contrar, scoateți fișa, așteptați 10 secunde și apoi conectați-o din nou.
- Verificați dacă întrerupătorul de circuit s-a declanșat. Dacă totul pare în regulă, testați priza conectând și pornind un alt aparat.
- Verificați dacă ați selectat pregătirea corectă și setați timpul de pregătire.
- Verificați dacă ușa este închisă corect. În caz contrar, cuptorul nu poate fi pornit.

DACĂ PROBLEMA NU ESTE MENȚIONATĂ MAI SUS SAU DACĂ PROBLEMA PERSISTĂ, OPRIȚI CUPTORUL CU MICROUND, DECONECTAȚI FIȘA DE ALIMENTARE DE LA PRIZA DE REȚEA ȘI CONTACTAȚI UN CENTRU DE SERVICE AUTORIZAT. ESTE INTERZISĂ EFECTUAREA DE REPARAȚII SAU DE MODIFICĂRI ALE CUPTORULUI CU MICROUND. CUPTORUL NU CONȚINE NICIO PIESĂ CARE POATE FI REPARATĂ DE CĂTRE UTILIZATOR.

ENGLISH

The use of the WEEE Symbol indicates that this product should not be treated as household waste. By ensuring this product is disposed of correctly, you will help protect the environment. For more detailed information about the recycling of this product, please contact your local authority, your household waste disposal service provider, or the shop where you purchased the item.

This product meets all of the related basic EU regulation requirements. The EU declaration of conformity is available on www.alzashop.com/doc.

This product sold in the European Union meet the requirements of Directive 2011/65/EU on the restriction of the use of certain hazardous substances in electrical and electronic equipment (RoHS).

DEUTSCH

Das WEEE-Symbol weist darauf hin, dass dieses Produkt nicht als normaler Haushaltsabfall behandelt werden darf. Indem Sie sicherstellen, dass dieses Produkt ordnungsgemäß entsorgt wird, tragen Sie zum Schutz der Umwelt bei. Für detailliertere Informationen zum Recycling dieses Produkts wenden Sie sich bitte an Ihre lokale Behörde, Ihren Hausmüllentsorgungsdienstleister oder das Geschäft, in dem Sie das Produkt erworben haben.

Dieses Produkt erfüllt alle relevanten EU-Vorschriften. Die EU-Konformitätserklärung ist unter www.alzashop.com/DoC einsehbar. Dieses in der Europäischen Union verkaufte Produkt erfüllt die Anforderungen der EU Richtlinie 2011/65/EU zur Beschränkung der Verwendung bestimmter gefährlicher Stoffe in Elektronikgeräten (RoHS)

ČESKY

Použití symbolu WEEE označuje, že tento výrobek nesmí být považován za domovní odpad. Zajištěním správné likvidace tohoto výrobku pomáháte chránit životní prostředí. Pro podrobnější informace o recyklaci tohoto výrobku se prosím obraťte na místní úřad zabývající se likvidací domovního odpadu, poskytovatele služby zabývající se likvidací domovního odpadu nebo obchodu, kde jste produkt zakoupili.

Tento výrobek splňuje veškeré základní požadavky směrnic EU. EU prohlášení o shodě je k dispozici na www.alzashop.com/doc.

Tento výrobek prodáváný v Evropské unii splňuje požadavky směrnice 2011/65/EU omezující používání některých nebezpečných látek v elektrických a elektronických zařízeních (RoHS).

SLOVENSKY

Použitie symbolu WEEE označuje, že tento výrobok sa nesmie likvidovať s komunálnym odpadom. Ak výrobok správne zlikvidujete, prispějete k ochrane životného prostredia. Podrobnejšie informácie o recyklácii výrobku získate na miestnom zastupiteľstve, u poskytovateľov služieb likvidácie domového odpadu alebo v predajni, v ktorej ste výrobok zakúpili.

Tento výrobok spĺňa všetky základné požiadavky smerníc EÚ. EÚ Vyhlásenie o zhode je k dispozícii na www.alzashop.com/doc.

Tento výrobok, predáváný v Európskej únii, spĺňa požiadavky smernice 2011/65/EU obmedzujúce používanie niektorých nebezpečných látok v elektrických a elektronických zariadeniach (RoHS).

MAGYAR

A WEEE szimbólum azt jelzi, hogy ez a termék nem kezelhető háztartási hulladékként. A termék helyes megsemmisítésének biztosításával segít védeni a környezetet. A termék újrahasznosításával kapcsolatos részletesebb információkért, kérjük, forduljon a helyi hatóságokhoz, a háztartási hulladékkezelő szolgáltatóhoz vagy a bolthoz, ahol a terméket megvásárolta.

Ez a termék megfelel az összes rá vonatkozó EU szabályozási követelménynek. Az EU megfeleléségi nyilatkozata a www.alzashop.com/DoC címen érhető el. Az Európai Unióban értékesített termékek megfelelnek az elektromos és elektronikai berendezésekben való egyes veszélyes anyagok használatának korlátozására vonatkozó 2011/65/EU (RoHS) irányelvnek.

FRANÇAIS

Le symbole WEEE indique que ce produit ne doit pas être jeté avec les déchets ménagers ordinaires. Vous assurerez la protection de l'environnement en éliminant correctement ce produit.

Pour davantage d'informations sur le recyclage de ce produit, veuillez contacter les autorités locales, votre prestataire de services de traitement des déchets ou le magasin où vous avez effectué l'achat.

Ce produit est conforme à l'ensemble des normes. La déclaration de conformité européenne est disponible sur le site www.alzashop.com/DoC.

Ce produit, vendu en Union européenne, est conforme aux exigences de la Directive 2011/65/UE relative aux restrictions sur certaines substances dangereuses dans les équipements électriques et électroniques (RoHS).

ITALIANO

L'utilizzo del simbolo RAEE indica che questo prodotto non dev'essere trattato come un normale rifiuto domestico.

Assicurandosi che questo prodotto venga smaltito correttamente, si contribuisce a proteggere l'ambiente. Per informazioni più dettagliate sul riciclaggio di questo prodotto, contattare le autorità locali, il fornitore del servizio di smaltimento per i rifiuti domestici o il negozio in cui è stato acquistato l'articolo.

Questo prodotto soddisfa tutti i requisiti della normativa UE di base correlata.

La dichiarazione di conformità UE è disponibile all'indirizzo www.alzashop.com/DoC.

Questo prodotto venduto nell'Unione Europea soddisfa i requisiti della Direttiva 2011/65/UE sulla limitazione dell'uso di determinate sostanze pericolose nelle apparecchiature elettriche ed elettroniche (RoHS).

ROMÂNĂ

Utilizarea simbolului DEEE indică faptul că acest produs nu trebuie tratat drept deșeu menajer. Asigurându-vă că acest produs este eliminat în mod corect, veți contribui la protejarea mediului. Pentru informații mai detaliate privind reciclarea acestui produs, vă rugăm să contactați autoritățile locale, serviciul local de eliminare a deșeurilor menajere sau magazinul de la care ați achiziționat produsul.

Acest produs îndeplinește toate cerințele de reglementare de bază ale UE. Declarația UE de conformitate este disponibilă pe site-ul www.alzashop.com/DoC.

Acest produs vândut în Uniunea Europeană îndeplinește cerințele Directivei 2011/65 UE privind restricțiile de utilizare a anumitor substanțe periculoase în echipamentele electrice și electronice (RoHS).

CE



SIGURO

Alza.cz, a. s., Jankovcova 1522/53, 170 00 Prague 7, Czech Republic
© 2022 Alza.cz, a. s. All Rights Reserved.

www.siguro.net