



FIELDMANN[®]
Home & Garden Performance



FZV 4010 E

English.....	1
Čeština.....	15
Slovenčina.....	29
Magyarul.....	43
Polski.....	57

ELECTRIC SCARIFIER

USER'S MANUAL

Dear customer,

thank you very much for the trust that you have expressed!

Before putting this machine into operation, it is imperative to read this user's manual! In it, you will find all the instructions for normal operation and for achieving a long lifetime of the machine. It is imperative to adhere to all safety instructions contained in this user's manual.

CONTENTS

1. GENERAL SAFETY INSTRUCTIONS.....	2
Important safety notice	2
Packaging	2
User's Manual	2
2. SYMBOLS	2
3. SAFETY INSTRUCTIONS	4
Checks before every use.....	4
Proper use / Responsibility	4
Interrupting work.....	4
Electrical safety	5
4. PURPOSE OF USE	5
Intended use	5
5. DESCRIPTION OF THE MACHINE	6
6. ASSEMBLING THE MACHINE	7
7. REPLACING BLADES	9
8. SETTING UP THE SCARIFIER	10
Adjustment after wear	10
9. PUTTING INTO OPERATION.....	10
Starting.....	10
Turning off.....	10
10. MAINTENANCE.....	11
Cleaning the scarifier	11
11. SCARIFICATION / AERATION	11
12. TECHNICAL SPECIFICATIONS.....	12
13. DISPOSAL	12
DECLARATION OF CONFORMITY	13

1. GENERAL SAFETY INSTRUCTIONS

Important safety notice

- ✿ Carefully unpack the product and take care not to throw away any part of the packaging before you find all the parts of the product.
- ✿ Store the product in a dry place out of reach of children.
- ✿ Read all warnings and instructions. Not following warnings or instructions may lead to injury by electrical shock, a fire and/or serious injuries.

Packaging

- ✿ The product is packed in a package that prevents damage during transport. This package is a resource and so can be handed over for recycling.


User's Manual

- ✿ Before you start working with the machine, read the following safety and usage instructions. Acquaint yourself with the operating elements and the correct use of the machine. Keep the user's manual in a safe place where it can be easily retrieved for future use. Save the original packaging, including the internal packing material, warranty card and proof of purchase receipt at least for the duration of the warranty.
- ✿ If you need to ship this machine, pack it in the original cardboard box to ensure maximum protection during shipping or transport (e.g. when moving or when you need to send this product for repair).


 **NOTE:** If you hand over the machine to somebody else, do so together with this user's manual.









- ✿ Following the instructions in the included user's manual is a prerequisite for the proper use of the machine. The user's manual also contains operating, maintenance and repair instructions.
- ✿ The manufacturer takes no responsibility for accidents or damages resulting from not following the instructions in this manual.

2. SYMBOLS

 **ATTENTION!** Before putting into operation, carefully read the user's manual and the general safety instructions!

Do not work in the rain or in unfavourable climatic conditions!

 **ATTENTION!** The blade of the scarifier continues to rotate for some time after it is turned off!
Keep a safe distance!
Attention, rotating blades!


	<p>Attention! Before putting into operation, carefully read the user's manual and the general safety instructions!</p>
	<p>Do not work in the rain or in unfavourable climatic conditions!</p>
	<p>Attention, the blade of the scarifier continues to rotate for some time after it is turned off!</p>
	<p>Keep a safe distance!</p>
	<p>Attention, rotating blades! Sharp blade/s. Protect yourself against injury and loss of fingers.</p>
	<p>Before setting up the machine or carrying out maintenance on the machine, or if the electric power cable has become jammed or is damaged, always turn off the motor and pull the plug out of the electric power socket!</p>
	<p>While working use protective aids.</p>
	<p>Before performing work on the machine, pull the power cord out of the electrical power socket.</p>

3. SAFETY INSTRUCTIONS

Thank you for purchasing this garden scarifier. Before you start using it, please carefully read this user's manual and save it for possible future use.

Checks before every use

- ✿ Check the electric scarifier before every use.
- ✿ Do not use the electric scarifier if the safety mechanisms (start lever, safety brake, rear lid or cover) are damaged or worn out.
- ✿ Never use the machine with a blocked or missing safety mechanism.


 **NOTE:** Make sure that all nuts and bolts are pulled tight and that the scarifier is in good operating condition.

- ✿ Before starting work, inspect the area that is to be aerated.
- Check the work area for any foreign objects (e.g. stones, branches, rope) and remove them if necessary.

Proper use / Responsibility


 **ATTENTION!** Danger! Danger of injury! The scarifier may cause serious injuries!

- ✿ Do not place hands or feet near the scarification cylinder.
- ✿ You are responsible for the safety of the methods of use described in these instructions.
- ✿ Work only under good visibility.
- ✿ Do not open the rear cover during use.
- ✿ Acquaint yourself with the surroundings of your work area. Check for potential dangers, which may not be audible due to the noise of the machine.
- ✿ Wear solid footwear and long pants to protect your legs.
- ✿ Make sure that your legs are at a sufficient distance from moving parts.
- ✿ Make sure that there are no other people (particularly children) or animals in the work area.
- ✿ Always push the scarifier at walking speed.
- ✿ Operating position: make sure that you have safe foot support during operation.
- ✿ Be especially careful when changing direction on a slope.

 **ATTENTION!** Be extremely careful when walking backwards. You could stumble!

- ✿ Do not use the electric scarifier in the rain or in damp or wet conditions.
- ✿ Do not work with the scarifier near the edges of swimming pools or garden ponds.
- ✿ Please adhere to all local restrictions related to noise levels.

Interrupting work

 **ATTENTION!** Never leave the electric scarifier in the work area without supervision.

- ✿ When you stop working, place the machine in a safe location. Unplug the power plug! If you stop working in order to move to a different work location, always turn the electric scarifier off while carrying it. Move the wear compensation lever into the transport position.
- ✿ In the event that you hit an obstacle while scarifying, turn off the electric scarifier and remove the obstacle. Check the electric scarifier for damage and have it repaired if necessary.

Electrical safety

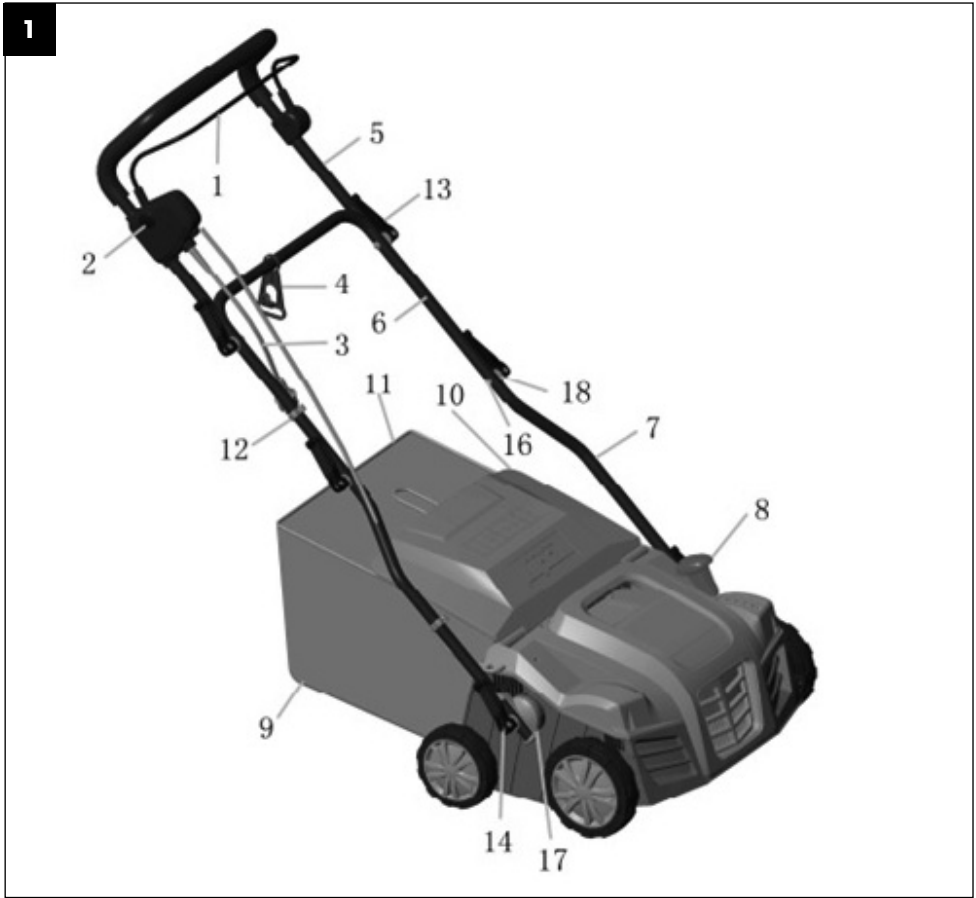
- ✿ Keep the extension cord away from the scarification cylinder!
- ✿ Never use the electric scarifier in the rain.
- ✿ Please adhere to local residential noise restrictions.
- ✿ It is necessary to regularly inspect the power / extension cord for damage and signs of wear and tear.
- ✿ In the event that the power / extension cord is damaged, immediately unplug the power cord.
- ✿ The socket on the extension cord must be water resistant providing protection against spraying water, or the power sockets for the extension cord must be made from rubber or must have a rubber cover.
- ✿ Extension cords must meet the requirements of DIN VDE 0620.
- ✿ Only use approved extension cords with the corresponding conductor cross-sections. Please consult your electrician.
- ✿ It is necessary to use connecting accessories for the extension cord.
- ✿ For portable equipment used outdoors, we recommend the use of a residual current device with a maximum current rating of 30 mA. In Switzerland, the use of a residual current device is compulsory.

4. PURPOSE OF USE

Intended use

- ✿ The FZV 4010 E Electric Scarifier is designed for aerating lawns and grass areas in private gardens and yards. It is not intended for use in public facilities, parks, sports fields, on roads, in agriculture or forestry.
- ⚠ ATTENTION!** To prevent injury, the electric scarifier must not be used for trimming shrubs, hedges and bushes. Furthermore, the electric scarifier must not be used for levelling uneven terrain.

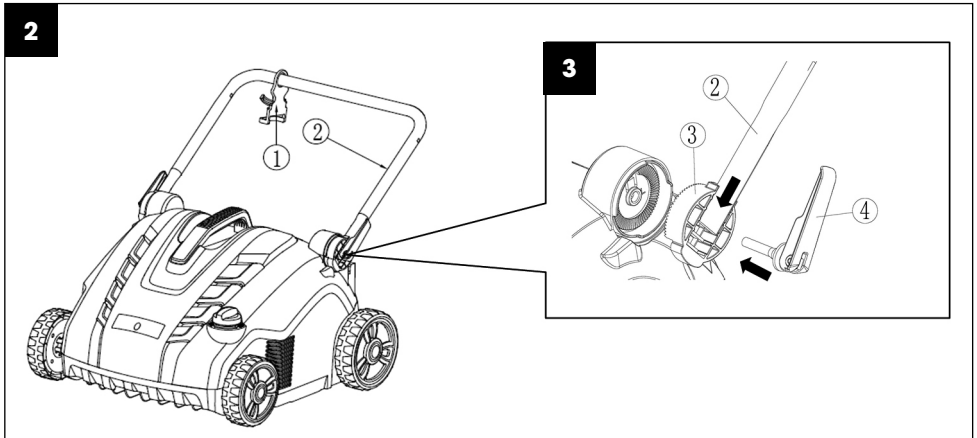
5. DESCRIPTION OF THE MACHINE (FIG. 1)



- ① Main switch
- ② Main switch safety lock
- ③ Power cord
- ④ Power cord retainer hook
- ⑤ Top part of the handle
- ⑥ Middle part of the handle
- ⑦ Bottom part of the handle
- ⑧ Working depth adjustment control

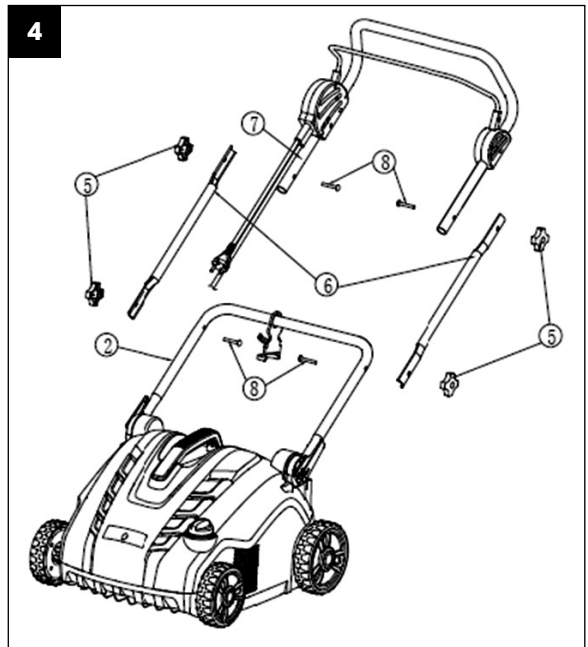
- ⑨ Basket
- ⑩ Basket cover
- ⑪ Grass catcher frame
- ⑫ Cable clip
- ⑬ & ⑭ Quick-acting lever
- ⑮ Handle screw
- ⑯ Handle height adjustment thorn
- ⑰ Handle screw washer

6. ASSEMBLING THE MACHINE

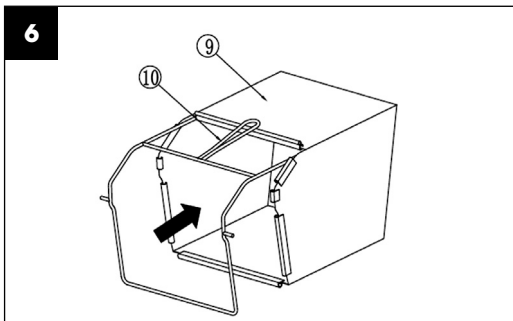


1. Slide the cable fastening hook (1) on to the bottom part of the handle (2) (fig. 2).
2. Insert the bottom part of the handle (2) into the rotation unit (3). Then from the outside, screw the quick clamp lever (4) to the body of the scarifier (fig. 3).

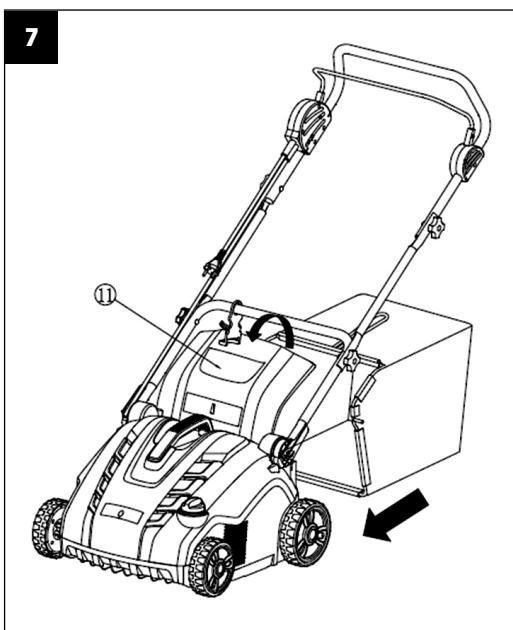
3. Slide two retaining bolts (8) from the inside through the hole in the bottom handle (2) and fasten to the central handle (6) using two wing nuts (5) (fig. 4).
4. Slide two retaining bolts (8) from the inside through the hole in the top handle (7) and fasten to the central handle (6) using two wing nuts (5) (fig. 4).



5. Place the steel frame (10) into the textile collection basket (9) and attach all fastener to the left, right and rear poles of the frame. Make sure that all fasteners are secured correctly (fig. 6).



6. Installation of the completely assembled collection basket on to the scarifier (fig. 7).
- Lift up the protective cover (11).
 - Make sure that the ejection chute is clear and free of debris.
 - Place the fully assembled collection basket on to the fastening points in the rear part of the chassis, as shown.
 - Place the protective cover (11) on top of the collection basket. Check that the collection basket is seated correctly.



NOTE: For use without the grass catcher, the lawnmower may be used without the collection basket with the protective cover (11) in the lower position.

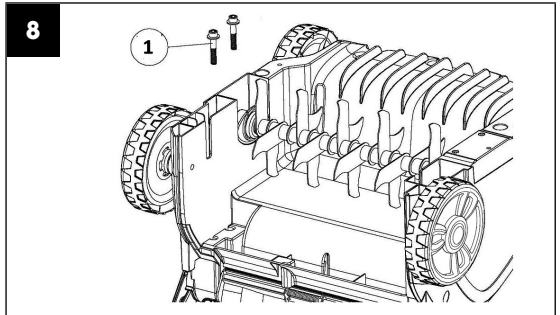
7. REPLACING BLADES

⚠ DANGER!

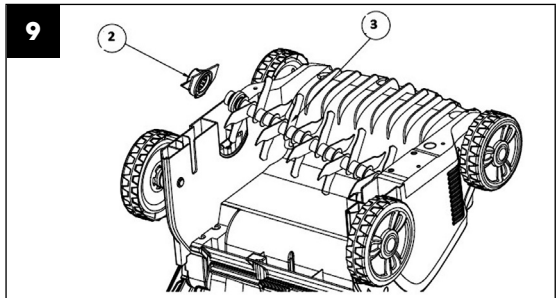
The cylinders may cause injuries!

Prior to replacement, disconnect the machine from the power grid and wait for the cylinder to come to a stop. When replacing, wear work gloves.

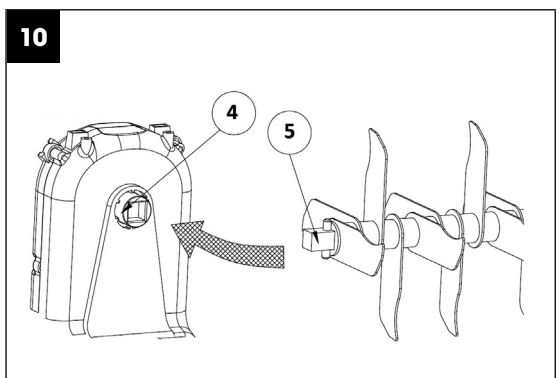
1. Screw out the bolts ① on the underside of the chassis (fig. 8).



2. Lift the cylinder ③ at an angle and pull it out (fig. 9).
3. Remove the ball bearing housing ② from the cylinder shaft (fig. 9).
4. Slide the ball bearing housing ② on to another cylinder.



5. Slide the second cylinder on to the drive shaft so that the pin ⑤ fits into the respective part of the drive shaft ④ (fig. 10).
6. Screw the ball bearing housing ② to the underside of the chassis but do not tighten too much.



8. SETTING UP THE SCARIFIER

⚠ ATTENTION!

The **working depth with the scarification** cylinder should be no more than 3 mm. The aeration cylinder with springs should copy the contour of the ground during operation. Setting an excessive working depth may even without visible wear on the blades/springs result in damage to the scarification cylinder or the overloading and destruction of the motor. **The lawn may also be damaged.**

Adjustment after wear

To maintain the recommended working depth, use the working depth adjustment control (fig. 1, point 8).

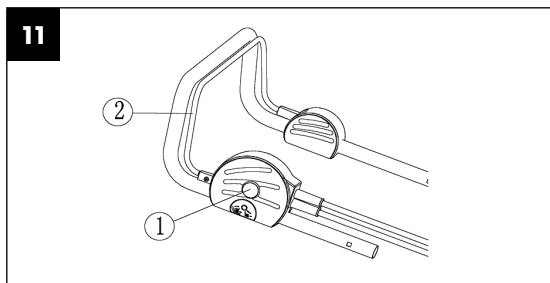
NOTE: The blades and springs of the scarifier wear out depending on the manner in which they are used. The more intensively the scarifier is used, the greater the wear on the blades and springs. Hard or very dry ground accelerates the wearing out process as does excessive use. In the event that, as a result of wear on the blades, the results of your work with the scarifier worsen, it is possible to adjust the scarification cylinders so that the working depth is constantly kept at the above-described depth.

9. PUTTING INTO OPERATION (FIG. 11)

Before starting it up again, check that the blade has come to a complete stop. Do not turn on and off in rapid succession.

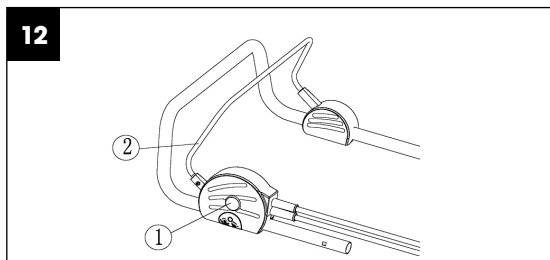
Starting

1. Press and hold the safety button ①. Pull the starting lever ② to the handle.
2. Release the safety button.



Turning off

Release the starting lever ②.



10. MAINTENANCE

Cleaning the scarifier

- ⚠ **ATTENTION!** Danger! A rotating blade may cause injuries.
- ⚠ **ATTENTION!** Prior to maintenance, disconnect the machine from the power grid and wait for the scarification cylinder to come to a stop.
- ⚠ **ATTENTION!** While performing maintenance use work gloves.
- ✿ The scarifier should be cleaned after every use.
- ⚠ **ATTENTION!** Risk of injury and material damage.
- ⚠ **ATTENTION!** Do not clean the scarifier under running water (especially not under high pressure).
- ⚠ **ATTENTION!** Do not use hard or pointed items for cleaning the scarifier.
- ✿ Remove grass and accumulated debris from the wheels, scarification cylinder and the cover.

11. SCARIFICATION / AERATION

- ✿ For comfortable work with the scarifier, it is best to start working at the location closest to the power source and to proceed away from the power source.
- ✿ Scarify / aerate the lawn at a right angle from the power source and place the power cord on the side that has already been treated.
- ⚠ **ATTENTION!** Do not place too much strain on the motor when working, especially in demanding conditions. When the motor is put under strain, the motor speed will decline and you will hear a change in the noise of the motor. Whenever this happens, stop working, release the starting lever and reduce the scarification / aeration depth.
Otherwise the machine could be damaged.
- 📖 **NOTE:** The motor is protected by a safety mechanism that is activated at the instant that the blades are caught or the engine is overloaded. Whenever this occurs, turn the machine off and pull the power plug out of the power source. The safety mechanism will reset only when the starting lever is released. Remove all obstacles and wait several minutes before resetting the safety mechanism and resuming work. At this point, do not play with the starting lever as this will extend the safety mechanism reset time. In the event that the machine turns off again, raise the height of scarification / aeration again, which will reduce the load on the motor.

12. TECHNICAL SPECIFICATIONS

Electric scarifier	FZV 4010-E
Rated power	1800 W
Working width	40 cm
Working depth	+6 to - 12 mm
Collection basket capacity	55 l
Weight.....	12,8 kg
Protection class	IPX4
Cylinder operating speed	3 000 rpm
Sound pressure level	$L_{pa} = 85,56 \text{ dB(A)}$ $K=3 \text{ dB(A)}$
Guaranteed sound power level	$L_{wa} = 104 \text{ dB(A)}$
Vibrations	$5,508 \text{ m/s}^2$ $K=1,5 \text{ m/s}^2$

13. DISPOSAL

INSTRUCTIONS AND INFORMATION REGARDING THE DISPOSAL OF USED PACKAGING MATERIALS

Dispose of used packaging material at a site designated for waste in your municipality.



The power tool and its accessories are manufactured from various materials, e.g. metal and plastic. Take damaged parts to a recycling centre. Inquire at the relevant government department.



This product meets all the basic requirements of EU directives that apply to it.

Changes in the text, design and technical specifications may be made without prior notice and we reserve the right to make these changes.

User s manual in the original language.

DECLARATION OF CONFORMITY

Manufacturer:

FAST ČR, a.s.

Černokostelecká 2111, 100 00 Praha 10, Czech Republic

VAT no: CZ26726548

Product / brand: ELECTRICAL LAWN AERATOR AND SCARIFIER / FIELDMANN**Type/model:** FZV 4010 E

230–240 V AC, 50 Hz, 1800 W, IPX4

The product is inline with directives and regulations listed below:

EC Council Directive Machinery 2006/42/EC

EC Directive for Electromagnetic Compatibility 2014/30/EU

EC Directive for RoHS 2011/65/EU

and norms:

EN 60335-1:2012+A11

EN 50636-2-92:2014

EN 62233:2008

EN 55014-1:2006+A1:2009+A2:2011

EN 55014-2:2015

EN 61000-3-11:2000

EN 61000-3-2:2014

**Place of issuance:** Prague**Name:** Ing. Zdeněk Pech

Chairman of the Board

Date of issuance: 1.5.2018**Signature:**

FAST FAST ČR, a.s. 
Černokostelecká 1621, 251 01 Říčany
IČO: 26726548 tel.: +420/ 323 204 111
DIČ: CZ26726548 fax: +420/ 323 204 110

ELEKTRICKÝ VERTIKUTÁTOR

NÁVOD K OBSLUZE

Vážená zákaznice, vážený zákazník,
děkujeme mnohokrát za projevenou důvěru!

Před prvním uvedením přístroje do provozu si bezpodmínečně přečtěte tento návod na obsluhu! Naleznete v něm všechny pokyny pro bezpečné používání a dlouhou životnost přístroje. Bezpodmínečně dodržujte všechny bezpečnostní pokyny uvedené v tomto návodu!

OBSAH

1. VŠEOBECNÉ BEZPEČNOSTNÍ PŘEDPISY	16
Důležitá bezpečnostní upozornění.....	16
Obal	16
Návod k použití	16
2. SYMBOLY	16
3. BEZPEČNOSTNÍ POKYNY	18
Kontroly před každým použitím	18
Správné používání / Zodpovědnost	18
Přerušování práce	18
Elektrická bezpečnost	19
4. ÚČEL POUŽITÍ.....	19
Zamýšlené použití	19
5. POPIS STROJE	20
6. MONTÁŽ STROJE	21
7. VÝMĚNA NOŽŮ	23
8. NASTAVENÍ VERTIKUTÁTORU	24
Seřízení po opotřebení	24
9. UVEDENÍ DO PROVOZU	24
Spuštění	24
Vypnutí.....	24
10. ÚDRŽBA	25
Čištění vertikutátoru	25
11. VERTIKUTACE / PROVZDUŠNĚNÍ	25
12. TECHNICKÉ ÚDAJE.....	26
13. LIKVIDACE.....	26
PROHLÁŠENÍ O SHODĚ CE.....	27

1. VŠEOBECNÉ BEZPEČNOSTNÍ PŘEDPISY

Důležitá bezpečnostní upozornění

- ✿ Výrobek pečlivě vybalte a dejte pozor, abyste nevyhodili žádnou část obalového materiálu dříve, než najdete všechny součásti výrobku.
- ✿ Výrobek uchovávejte na suchém místě mimo dosah dětí.
- ✿ Čtete všechna upozornění a pokyny. Zanedbání při dodržování varovných upozornění a pokynů mohou mít za následek úraz elektrickým proudem, požár a/nebo těžká poranění.

Obal

- ✿ Výrobek je umístěn v obalu bránícím poškozením při transportu. Tento obal je surovinou a lze jej proto odevzdat k recyklaci.

Návod k použití

- ✿ Než začnete se strojem pracovat, přečtete si následující bezpečnostní předpisy a pokyny k používání. Seznamte se s obslužnými prvky a správným používáním zařízení. Návod pečlivě uschovejte pro případ pozdější potřeby. Minimálně po dobu záruky doporučujeme uschovat originální obal včetně vnitřního balicího materiálu, pokladní doklad a záruční list.
- ✿ V případě přepravy zabalte stroj zpět do originální krabice od výrobce, zajistíte si tak maximální ochranu výrobku při případném transportu (např. stěhování nebo odeslání do servisního střediska).


 **POZNÁMKA:** Předáváte-li stroj dalším osobám, předejte jej společně s návodem.






- ✿ Dodržování příloženého návodu k obsluze je předpokladem řádného používání stroje. Návod k obsluze obsahuje rovněž pokyny pro obsluhu, údržbu a opravy.
- ✿ Výrobce nepřebírá odpovědnost za nehody nebo škody vzniklé následkem nedodržování tohoto návodu.

2. SYMBOLY

 **POZOR!** Před uvedením do provozu si pozorně přečtete návod k obsluze a všeobecné bezpečnostní pokyny!

Nepracuje za deště, ani za zhoršených klimatických podmínek!

 **POZOR!** Po vypnutí vertikutátoru se nůž ještě chvíli otáčí!
Udržujte bezpečnou vzdálenost!
Pozor, rotující nože!


	<p>Pozor! Před uvedením do provozu si pozorně přečtěte návod k obsluze a všeobecné bezpečnostní pokyny!</p>
	<p>Nepracuje za deště, ani za zhoršených klimatických podmínek!</p>
	<p>Pozor, po vypnutí vertikutátoru se nůž ještě chvíli otáčí!</p>
	<p>Udržujte bezpečnou vzdálenost!</p>
	<p>Pozor, rotující nože! Ostrý(é) nůž (nože). Chraňte se před poraněním a ztrátou prstů končetin!</p>
	<p>Před provedením nastavení stroje nebo jeho údržby, nebo pokud se elektrické přívodní vedení zachytilo nebo je poškozené, vypněte vždy motor a vytáhněte vidlici ze zásuvky elektrické sítě!</p>
	<p>Při práci používejte ochranné pomůcky.</p>
	<p>Před provedením práce na stroji vytáhněte kabel ze sítě elektrického napětí.</p>

3. BEZPEČNOSTNÍ POKYNY

Děkujeme Vám, že jste si zakoupili tento zahradní vertikutátor. Než jej začnete používat, přečtěte si, prosím, pozorně tento návod k obsluze a uschovejte jej pro případ dalšího použití.


Kontroly před každým použitím

- ✿ Zkontrolujte elektricky vertikutátor před každým použitím.
- ✿ Nepoužívejte elektricky vertikutátor, jsou-li poškozena nebo opotřebena bezpečnostní zařízení (spouštěcí páčka, bezpečnostní blokování, zadní víko nebo kryt).
- ✿ Nikdy přístroj nepoužívejte se zablokovanými nebo chybějícími bezpečnostními zařízeními.

 **POZNÁMKA:** Dbejte, aby byly dotaženy všechny matice a šrouby a aby byl vertikutátor v dobrem provozním stavu.

- ✿ Před zahájením práce proveďte prohlídku prostoru, který má být provzdušněn. Zkontrolujte pracovní oblast, zda v ni nejsou cizí předměty (např. kameny, větve, provazy), a případně je odstraňte.

Správné používání / Zodpovědnost

 **POZOR!** Nebezpečí! Nebezpečí úrazu! Vertikutátor může způsobit vážná zranění!

- ✿ Nedávejte ruce nebo nohy do blízkosti válce vertikutátoru.
- ✿ Zodpovídáte za bezpečnost způsobů použití uvedených v těchto pokynech.
- ✿ Pracujte pouze za dobré viditelnosti.
- ✿ Během používání neotevírejte zadní víko.
- ✿ Seznamte se s okolím Vašeho pracovního prostoru. Zkontrolujte případná nebezpečí, která nemusí být kvůli hluku zařízení slyšitelná.
- ✿ Pro ochranu Vašich nohou noste pevnou obuv a dlouhé kalhoty.
- ✿ Dbejte, aby Vaše nohy byly v bezpečné vzdálenosti od pohybujících se částí.
- ✿ Dbejte, aby nikde v blízkosti pracovní oblasti nebyli žádní jiní lidé (zejména děti) nebo zvířata.
- ✿ Vertikutátor tlače vždy rychlostí chůze.
- ✿ Provozní poloha: dbejte, abyste měli při práci bezpečnou nožní oporu.
- ✿ Buďte obzvláště opatrní při změně směru na svahu.

 **POZOR!** Buďte mimořádně opatrní při chůzi vzad. Mohli byste klopýtnout!

- ✿ Nepoužívejte elektricky vertikutátor za deště nebo za vlhkých či mokrých podmínek.
- ✿ Nepracujte s vertikutátorem v blízkosti okrajů bazénů nebo zahradních jezírek.
- ✿ Dodržujte prosím veškerá místní omezení týkající se hlučnosti.

Přerušování práce

 **POZOR!** Nikdy nenechávejte elektricky vertikutátor v pracovním prostoru bez dozoru.

- ✿ Přerušíte-li práci, uložte zařízení na bezpečné místo. Odpojte ze síťové zástrčky! Přerušíte-li práci, abyste se mohli přesunout do jiného pracovního prostoru, vždy během přesunu vypněte elektrický vertikutátor. Přesuňte páku pro vyrovnávání opoříbení do transportní polohy.
- ✿ Narazíte-li během kypření na překážku, vypněte elektrický vertikutátor a odstraňte překážku. Zkontrolujte elektrický vertikutátor, zda není poškozen a v případě potřeby jej nechte opravit.

Elektrická bezpečnost

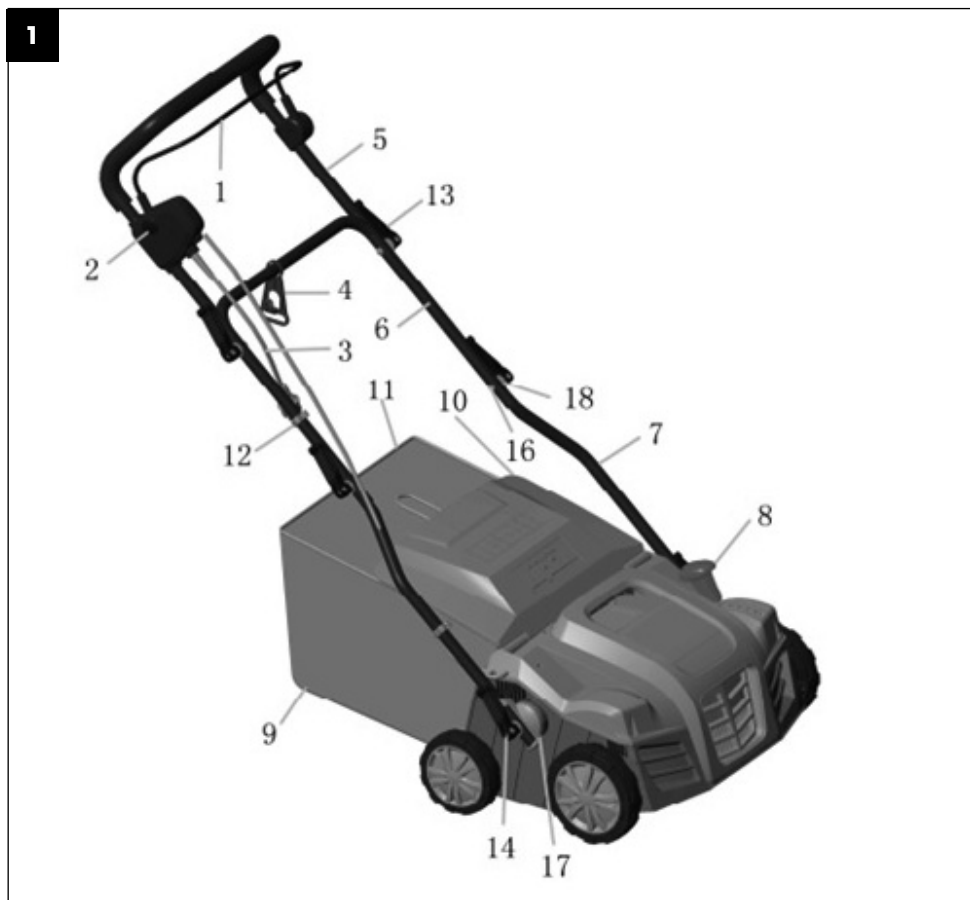
- ✿ Držte prodlužovací kabel z dosahu válce vertikutátoru!
- ✿ Nikdy nepoužívejte elektrický vertikutátor za deště.
- ✿ Dodržujte prosím předepsané místní doby klidu.
- ✿ Je třeba pravidelně kontrolovat přípojný / prodlužovací kabel, zda není poškozen a zda nevykazuje známky opotřebenění.
- ✿ Je-li poškozen přípojný / prodlužovací kabel, okamžitě odpojte síťovou přípojku.
- ✿ Prodlužovací zásuvka pro prodlužovací kabel musí být vodovzdorná, aby chránila proti stříkání vody, nebo musí být propojovací zásuvky pro prodlužovací kabely vyrobeny z gumy nebo musí mít gumový obal.
- ✿ Prodlužovací kabely musí splňovat požadavky DIN VDE 0620.
- ✿ Používejte pouze schválené prodlužovací kabely s odpovídajícím průřezem kabelu. Poradte se svým elektro-technikem.
- ✿ Pro prodlužovací kabely je třeba používat připojovací příslušenství.
- ✿ Pro přenosná zařízení používaná venku doporučujeme používat proudové chrániče s hodnotou zbytkového proudu 30 mA. Ve Švýcarsku je používání proudových chráničů povinné.

4. ÚČEL POUŽITÍ

Zamýšlené použití

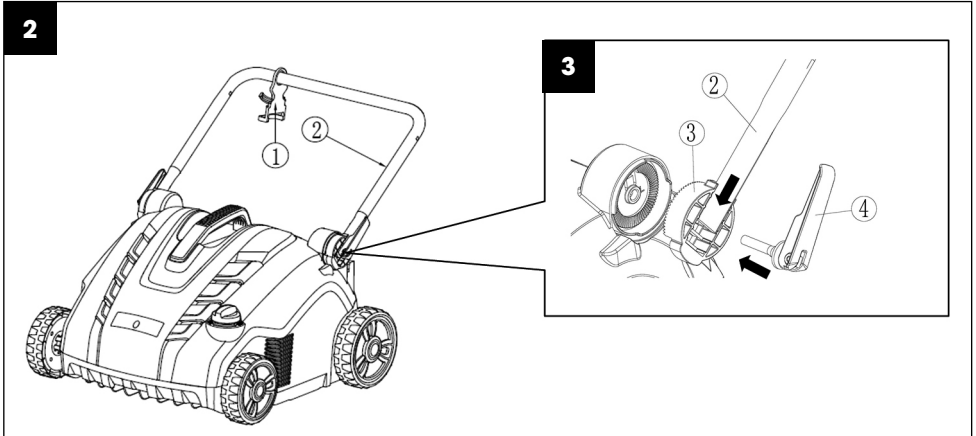
- ✿ Elektrický vertikutátor FZV 4010 E je určen k provzdušňování trávníků a travnatých ploch v soukromých domácích zahradách a zahrádkách. Není určen pro použití ve veřejných zařízeních, parcích, sportovních hřištích, na komunikacích, v zemědělství a lesnictví.
- ⚠ POZOR!** Aby nedošlo k úrazu, nesmí být elektrický vertikutátor používán k prořezávání keřů, živých plotů a křovin. Dále nesmí být elektrický vertikutátor používán k vyrovnávání nerovnosti půdy.

5. POPIS STROJE (OBR. 1)

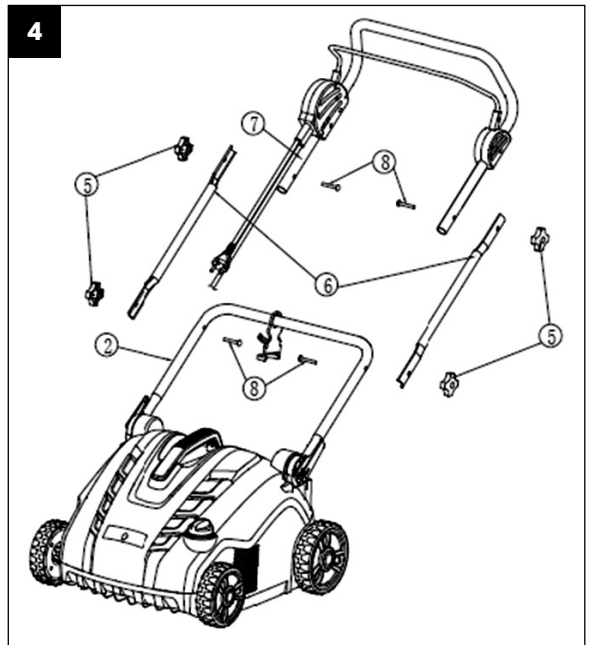


- | | | | |
|---|-------------------------------------|-------|-----------------------------------|
| ① | Hlavní spínač | ⑩ | Kryt koše |
| ② | Pojistka hlavního spínače | ⑪ | Rám koše |
| ③ | Síťový kabel | ⑫ | Kabelový klip |
| ④ | Jistič hák kabelu | ⑬ & ⑭ | Rychloupínací páka |
| ⑤ | Horní díl madla | ⑮ | Šroub madla |
| ⑥ | Střední díl madla | ⑰ | Tisící-hran nastavení výšky madla |
| ⑦ | Spodní díl madla | ⑱ | Podložka šroubu madla |
| ⑧ | Ovládání nastavení pracovní hloubky | | |
| ⑨ | Koš | | |

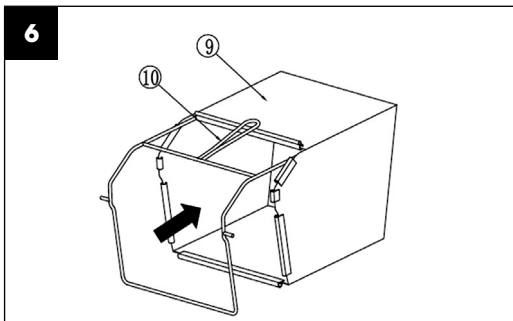
6. MONTÁŽ STROJE



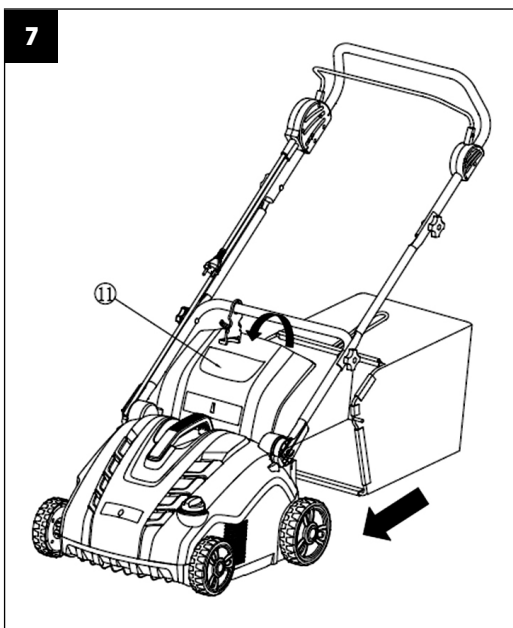
1. Nasuňte jistící hák kabelu ① na spodní díl madla ② (obr. 2).
2. Zasuňte spodní díl madla ② do otočné jednotky ③. Poté zvenku našroubujte páku rychloupínáku ④ k tělu vertikutátoru (obr. 3).
3. Zasuňte dva zajišťovací šrouby ⑧ zevnitř otvorem ve spodním madle ② a zajistěte je ke střednímu madlu ⑥ dvěma křídlovými maticemi ⑤ (obr. 4).
4. Zasuňte dva zajišťovací šrouby ⑧ zevnitř otvorem v horním madle ⑦ a zajistěte je ke střednímu madlu ⑥ dvěma křídlovými maticemi ⑤ (obr. 4).



5. Vložte kovový rám ⑩ do látkového sběrného koše ⑨ a připevněte všechny příchytky na levou, pravou a zadní tyč rámu. Ujistěte se, že jsou všechny příchytky správně zajištěné (obr. 6).



6. Montáž zcela sestaveného sběrného koše na vertikutátor (obr. 7).
- Nadzvedněte ochranný kryt ⑪.
 - Ujistěte se, že je vyhazovací komín čistý a bez nečistot.
 - Umístěte úplně sestavený sběrný koš na upevňovací body v zadní části šasi tak, jak je znázorněno.
 - Na vrch sběrného koše umístěte ochranný kryt ⑪. Zkontrolujte správné usazení sběrného koše.



POZNÁMKA: Pro použití bez sběru posečené trávy může být vertikutátor používán bez sběrného koše s ochranným krytem ⑪ ve spodní poloze.

7. VÝMĚNA NOŽŮ

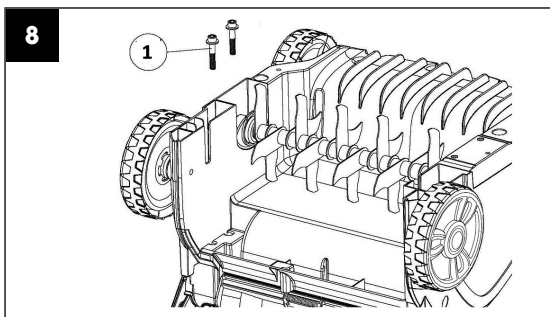
⚠ NEBEZPEČÍ!

Válců mohou způsobit zranění!

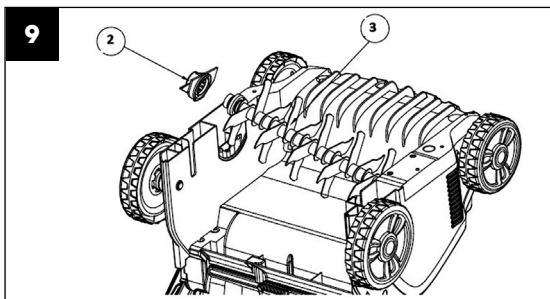
Před výměnou, odpojte stroj od elektrické sítě a vyčkejte, dokud se válec nepřestane točit.

Při výměně používejte pracovní rukavice.

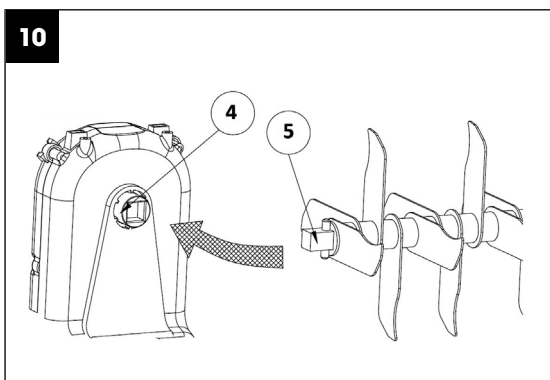
1. Vyšroubujte šrouby ① na spodní straně šasi (obr. 8).



2. Válec ③ zdvihněte pod úhlem a vytáhněte jej (obr. 9).
3. Sejměte domeček ložiska ② z hřídele válce (obr. 9).
4. Nasuňte domeček ložiska ② na druhý válec.



5. Nasuňte druhý válec na hnací hřídel tak, aby čep ⑤ zapadl do odpovídající části v hnacím hřídeli ④ (obr. 10).
6. Přišroubujte domeček ložiska ② ke spodní části pláště, přičemž jej neutažte příliš.



8. NASTAVENÍ VERTIKUTÁTORU

⚠ POZOR!

Pracovní hloubka s vertikutačním válcem by měla být max. 3 mm. Pro vzdušňovací válec s pružinami by měl při práci kopírovat povrch země. Nastavením přílišné pracovní hloubky bez viditelného opotřebení nožů/pružin může způsobit poškození válce vertikutátoru nebo přetížení a zničení motoru. **Poškodit může také trávník.**

Seřízení po opotřebení

Pro zachování doporučené pracovní hloubky použijte Ovládání nastavení pracovní hloubky (obr. 1, bod 8).

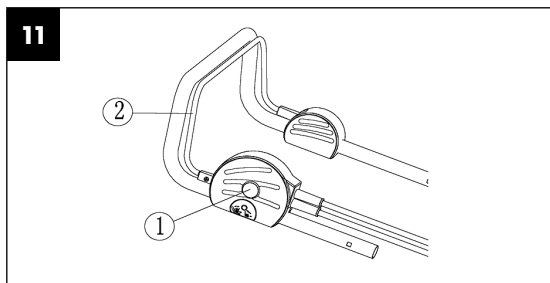
POZNÁMKA: Nože a pružiny vertikutátoru podléhají při používání opotřebení v důsledku způsobu, jakým pracuje. Čím intenzivněji je vertikutátor používán, tím větší je opotřebení nožů či pružin. Tvrdá nebo velmi suchá půda urychluje proces opotřebení, stejně jako nadměrné používání. Budou-li v důsledku opotřebení nožů výsledky Vaší práce s aerátorem stále horší, lze válce vertikutátoru nastavit tak, aby byla vždy dodržena pracovní hloubka uvedená výše.

9. UVEDENÍ DO PROVOZU (OBR. 11)

**Před opětovným spuštěním se ujistěte, že se nůž přestal točit.
Rychle nezapínejte a nevypínejte.**

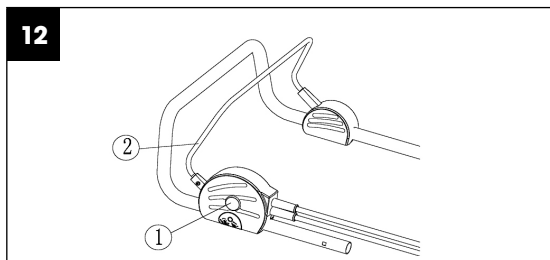
Spuštění

1. Stiskněte a podržte bezpečnostní tlačítko ①. Přitáhněte spouštěcí páku ② k madlu.
2. Uvolněte bezpečnostní tlačítko.



Vypnutí

Uvolněte spouštěcí páku ②.



10. ÚDRŽBA

Čištění vertikutátoru

- ⚠ **POZOR!** Nebezpečí! Válec vertikutátoru může způsobit zranění!
- ⚠ **POZOR!** Před údržbou odpojte zařízení od sítě a vyčkejte, dokud se válec vertikutátoru nezastaví.
- ⚠ **POZOR!** Při provádění údržby používejte pracovní rukavice.
- ✿ Vertikutátor by měl být čištěn po každém použití.
- ⚠ **POZOR!** Nebezpečí úrazu a hmotné škody.
- ⚠ **POZOR!** Vertikutátor nečistěte pod tekoucí vodou (zejména pod vysokým tlakem).
- ⚠ **POZOR!** K čištění vertikutátoru nepoužívejte tvrdé nebo špičaté předměty.
- ✿ Odstraňte trávu a nánosy z kol, válce vertikutátoru a krytu.

11. VERTIKUTACE / PROVZDUŠNĚNÍ

- ✿ Pro pohodlnou práci s vertikutátorem je nejlepší začít pracovat v místě, které je nejbližší k napájecímu zdroji, a postupovat směrem od napájecího zdroje.
- ✿ Trávník vertikutujte / provzdušňujte v pravém úhlu od napájecího zdroje a umístěte napájecí kabel na tu stranu, která již byla ošetřena.
- ⚠ **POZOR!** Při práci nenechávejte motor příliš namáhat, zvláště v těžkých podmínkách. Je-li motor namáhán, poklesnou otáčky motoru a Vy uslyšíte změnu zvuku motoru. Jakmile se to stane, přestaňte pracovat, uvolněte spínací páku a snižte hloubku vertikutace / provzdušňování. Pokud tak neučiníte, mohlo by dojít k poškození stroje.
- 📖 **POZNÁMKA:** Motor je chráněn bezpečnostní pojistkou, která se aktivuje v okamžiku, kdy dojde k zadření listů nebo dojde-li k přetížení motoru. Jakmile se tak stane, vypněte stroj a vytáhněte zástrčku z napájecího zdroje. Bezpečnostní pojistka se zresetuje pouze v případě, je-li uvolněna spínací páka. Odstraňte veškeré překážky a vyčkejte několik minut, než se zresetuje bezpečnostní pojistka, a Vy jste mohli pokračovat v práci. V tomto okamžiku nemanipulujte se spínací pákou, protože to prodlužuje dobu resetu bezpečnostní pojistky. Dojde-li k opětovnému vypnutí stroje, zvýšte opět hloubku vertikutace / provzdušnění, čímž snížíte zatížení motoru.

12. TECHNICKÉ ÚDAJE

Elektrický vertikutátor	FZV 4010-E
Jmenovitý výkon	1800 W
Pracovní záběr	40 cm
Pracovní hloubka	+6 až -12 mm
Objem koše	55 l
Hmotnost	12,8 kg
Třída ochrany	IPX4
Pracovní otáčky válce	3 000 ot./min
Hladina akustického tlaku.....	$L_{pa} = 85,56 \text{ dB(A)}$ $K=3 \text{ dB(A)}$
Garantovaná hladina akustického výkonu.....	$L_{wa} = 104 \text{ dB(A)}$
Vibrace	$5,508 \text{ m/s}^2$ $K=1,5 \text{ m/s}^2$

13. LIKVIDACE

POKYNY A INFORMACE O NAKLÁDÁNÍ S POUŽITÝM OBALEM

Použitý obalový materiál odložte na místo určené obcí k ukládání odpadu.



Stroj a jeho příslušenství jsou vyrobeny z různých materiálů, např. z kovu a plastů. Poškozené součástky odevzdejte do tříděného sběru. Informujte se u příslušného úřadu.



Tento výrobek splňuje veškeré základní požadavky směrnic EU, které se na něj vztahují.

Změny v textu, designu a technických specifikacích se mohou měnit bez předchozího upozornění a vyhrazujeme si právo na jejich změnu.

Návod k použití v originálním jazyce.

PROHLÁŠENÍ O SHODĚ

Výrobce:

FAST ČR, a.s.

Černokostelecká 2111, 100 00 Praha 10, Česká republika

DIČ: CZ26726548

Produkt/značka: ELEKTRICKÝ PROVZDUŠŇOVAČ TRÁVNÍKU A VERTIKUTÁTOR /
 FIELDMANN

Typ/model: FZV 4010 E

230–240 V stříd., 50 Hz, 1800 W, IPX4

Tento produkt splňuje požadavky níže uvedených směrnic a předpisů:

Směrnice Rady ES pro strojní zařízení 2006/42/ES

Směrnice ES pro elektromagnetickou kompatibilitu EMC 2014/30/EU

 Směrnice ES o omezení používání některých nebezpečných látek v elektrických
 a elektronických zařízeních 2011/65/EU

a norem:

EN 60335-1:2012+A11

EN 50636-2-92:2014

EN 62233:2008

EN 55014-1:2006+A1:2009+A2:2011

EN 55014-2:2015

EN 61000-3-11:2000

EN 61000-3-2:2014


Místo vydání: Praha

Jméno: Ing. Zdeněk Pech

Předseda představenstva

Datum vydání: 1. 5. 2018

Podpis:

FAST FAST ČR, a.s. 
 Černokostelecká 1621, 251 01 Říčany
 IČO: 26726548 tel.: +420/ 323 204 111
 DIČ: CZ26726548 fax: +420/ 323 204 110

ELEKTRICKÝ VERTIKUTÁTOR

NÁVOD NA OBSLUHU

Vážená zákazníčka, vážený zákazník,

d'akujeme mnohokrát za prejavenu dôveru!

Pred prvým uvedením prístroja do prevádzky si bezpodmienečne prečítajte tento návod na obsluhu! Nájdete v ňom všetky pokyny na bezpečné používanie a dlhú životnosť prístroja. Bezpodmienečne dodržujte všetky bezpečnostné pokyny uvedené v tomto návode!

OBSAH

1. VŠEOBECNÉ BEZPEČNOSTNÉ PREDPISY.....	30
Dôležité bezpečnostné upozornenia	30
Obal	30
Návod na použitie.....	30
2. SYMBOLY	30
3. BEZPEČNOSTNÉ POKYNY	32
Kontroly pred každým použitím	32
Správne používanie / Zodpovednosť	32
Prerušenie práce	32
Elektrická bezpečnosť	33
4. ÚČEL POUŽITIA.....	33
Zamýšľané použitie.....	33
5. POPIS STROJA	34
6. MONTÁŽ STROJA	35
7. VÝMENA NOŽOV	37
8. NASTAVENIE VERTIKUTÁTORA	38
Nastavenie po opotrebení	38
9. UVEDENIE DO PREVÁDZKY	38
Spustenie	38
Vypnutie.....	38
10. ÚDRŽBA.....	39
Čistenie vertikutátora	39
11. VERTIKUTÁCIA / PREVZDUŠNENIE	39
12. TECHNICKÉ ÚDAJE.....	40
13. LIKVIDÁCIA.....	40
VYHLÁSENIE O ZHODE CE	41

1. VŠEOBECNÉ BEZPEČNOSTNÉ PREDPISY

Dôležité bezpečnostné upozornenia

- ✿ Výrobok starostlivo vybaľte a dajte pozor, aby ste nevyhodili žiadnu časť obalového materiálu, skôr ako nájdete všetky súčasti výrobku.
- ✿ Výrobok uchovávajte na suchom mieste mimo dosahu detí.
- ✿ Čítajte všetky upozornenia a pokyny. Zanedbanie pri dodržiavaní varovných upozornení a pokynov môže mať za následok úraz elektrickým prúdom, požiar a/alebo ťažké poranenia.

Obal

- ✿ Výrobok je umiestnený v obale brániacom poškodeniam pri transporte. Tento obal je surovinou a je preto možné ho odovzdať na recykláciu.


Návod na použitie

- ✿ Skôr ako začnete so strojom pracovať, prečítajte si nasledujúce bezpečnostné predpisy a pokyny na používanie. Oboznámte sa s obslužnými prvkami a správnym používaním zariadenia. Návod dôkladne uschovajte pre prípad neskoršej potreby. Minimálne počas záruky odporúčame uschovať originálny obal vrátane vnútorného baliaceho materiálu, pokladničný doklad a záručný list.
- ✿ V prípade prepravy zabaľte stroj späť do originálnej škatule od výrobcu, zaisťte si tak maximálnu ochranu výrobku pri prípadnom transporte (napr. sťahovaní alebo odoslaní do servisného strediska).


 **POZNÁMKA:** Ak odovzdávate stroj ďalším osobám, odovzdajte ho spoločne s návodom.

- ✿ Dodržiavanie priloženého návodu na obsluhu je predpokladom riadneho používania stroja. Návod na obsluhu obsahuje tiež pokyny na obsluhu, údržbu a opravy.
- ✿ Výrobca nepreberá zodpovednosť za nehody alebo škody vzniknuté následkom nedodržiavania tohto návodu.

2. SYMBOLY

 **POZOR!** Pred uvedením do prevádzky si pozorne prečítajte návod na obsluhu a všeobecné bezpečnostné pokyny!

Nepracujte za dažďa, ani za zhoršených klimatických podmienok!

 **POZOR!** Po vypnutí vertikutátora sa nôž ešte chvíľu otáča!
Udržujte bezpečnú vzdialenosť!
Pozor, rotujúce nože!


	<p>Pozor! Pred uvedením do prevádzky si pozorne prečítajte návod na obsluhu a všeobecné bezpečnostné pokyny!</p>
	<p>Nepracujte za dažďa, ani za zhoršených klimatických podmienok!</p>
	<p>Pozor, po vypnutí vertikutátora sa nôž ešte chvíľu otáča!</p>
	<p>Udržujte bezpečnú vzdialenosť!</p>
	<p>Pozor, rotujúce nože! Ostrý(é) nôž (nože). Chráňte sa pred poranením a stratou prstov končatín!</p>
	<p>Pred vykonaním nastavenia stroja alebo jeho údržby, alebo pokiaľ sa elektrické prívodné vedenie zachytilo alebo je poškodené, vždy vypnite motor a vytiahnite vidlicu zo zásuvky elektrickej siete!</p>
	<p>Pri práci používajte ochranné pomôcky.</p>
	<p>Pred vykonaním práce na stroji vytiahnite kábel zo siete elektrického napätia.</p>

3. BEZPEČNOSTNÉ POKYNY

Ďakujeme vám, že ste si kúpili tento záhradný vertikutátor. Skôr ako ho začnete používať, prečítajte si, prosím, pozorne tento návod na obsluhu a uschovajte ho na prípad ďalšieho použitia.


Kontroly pred každým použitím

- ✿ Skontrolujte elektricky vertikutátor pred každým použitím.
- ✿ Nepoužívajte elektricky vertikutátor, ak sú poškodené alebo opotrebené bezpečnostné zariadenia (spúšťačia páčka, bezpečnostné blokovanie, zadné veko alebo kryt).
- ✿ Nikdy prístroj nepoužívajte so zablokovanými alebo chýbajúcimi bezpečnostnými zariadeniami.


 **POZNÁMKA:** Dbajte na to, aby boli dotiahnuté všetky matice a skrutky a aby bol vertikutátor v dobrom prevádzkovom stave.

- ✿ Pred začatím práce urobte prehliadku priestoru, ktorý sa má prevzdušniť.
- Skontrolujte pracovnú oblasť, či v nej nie sú cudzie predmety (napr. kamene, vetvy, povrazy), a prípadne ich odstráňte.

Správne používanie / Zodpovednosť


 **POZOR!** Nebezpečenstvo! Nebezpečenstvo úrazu! Vertikutátor môže spôsobiť vážne zranenia!

- ✿ Nedávajte ruky alebo nohy do blízkosti valca vertikutátora.
- ✿ Zodpovedáte za bezpečnosť spôsobov použitia uvedených v týchto pokynoch.
- ✿ Pracujte iba za dobrej viditeľnosti.
- ✿ Počas používania neotvárajte zadné veko.
- ✿ Oboznámte sa s okolím vášho pracovného priestoru. Skontrolujte prípadné nebezpečenstvá, ktoré nemusia byť kvôli hluku zariadenia počuteľné.
- ✿ Na ochranu vašich nôh noste pevnú obuv a dlhé nohavice.
- ✿ Dbajte na to, aby vaše nohy boli v bezpečnej vzdialenosti od pohybujúcich sa častí.
- ✿ Dbajte na to, aby nikde v blízkosti pracovnej oblasti neboli žiadni iní ľudia (najmä deti) alebo zvieratá.
- ✿ Vertikutátor tlačte vždy rýchlosťou chôdze.
- ✿ Prevádzková poloha: dbajte na to, aby ste mali pri práci bezpečnú oporu nôh.
- ✿ Buďte obzvlášť opatrní pri zmene smeru na svahu.

 **POZOR!** Buďte mimoriadne opatrní pri chôdzi vzad. Mohli by ste sa potknúť!

- ✿ Nepoužívajte elektricky vertikutátor za dažďa alebo za vlhkých či mokrých podmienok.
- ✿ Nepracujte s vertikutátorom v blízkosti okrajov bazénov alebo záhradných jazierok.
- ✿ Dodržujte, prosím, všetky miestne obmedzenia týkajúce sa hlučnosti.

Prerušenie práce

 **POZOR!** Nikdy nenechávajte elektricky vertikutátor v pracovnom priestore bez dozoru.

- ✿ Ak prerušíte prácu, uložte zariadenie na bezpečné miesto. Odpojte od sieťovej zástrčky! Ak prerušíte prácu, aby ste sa mohli presunúť do iného pracovného priestoru, vždy počas presunu vypnite elektrický vertikutátor. Presuňte páku na vyrovnávanie opotrebenia do transportnej polohy.
- ✿ Ak narazíte počas kyprenia na prekážku, vypnite elektrický vertikutátor a odstráňte prekážku. Skontrolujte elektrický vertikutátor, či nie je poškodený a v prípade potreby ho nechajte opraviť.

Elektrická bezpečnosť

- ✿ Držte predlžovací kábel z dosahu valca vertikutátora!
- ✿ Nikdy nepoužívajte elektrický vertikutátor za dažďa.
- ✿ Dodržujte, prosím, predpísané miestne časy pokoja.
- ✿ Je potrebné pravidelne kontrolovať prípojný/predlžovací kábel, či nie je poškodený a či nevykazuje známky opotrebenia.
- ✿ Ak je poškodený prípojný/predlžovací kábel, okamžite odpojte sieťovú prípojku.
- ✿ Predlžovacia zásuvka pre predlžovací kábel musí byť vodovzdorná, aby chránila proti striekaniu vody, alebo musia byť prepojovacie zásuvky pre predlžovacie káble vyrobené z gumy alebo musia mať gumový obal.
- ✿ Predlžovacie káble musia spĺňať požiadavky DIN VDE 0620.
- ✿ Používajte iba schválené predlžovacie káble so zodpovedajúcim prierezom kábla. Poradte sa so svojím elektrotechnikom.
- ✿ Pre predlžovacie káble je potrebné používať pripájacie príslušenstvo.
- ✿ Pre prenosné zariadenia používané vonku odporúčame používať prúdové chrániče s hodnotou zvyškového prúdu 30 mA. Vo Švajčiarsku je používanie prúdových chráničov povinné.

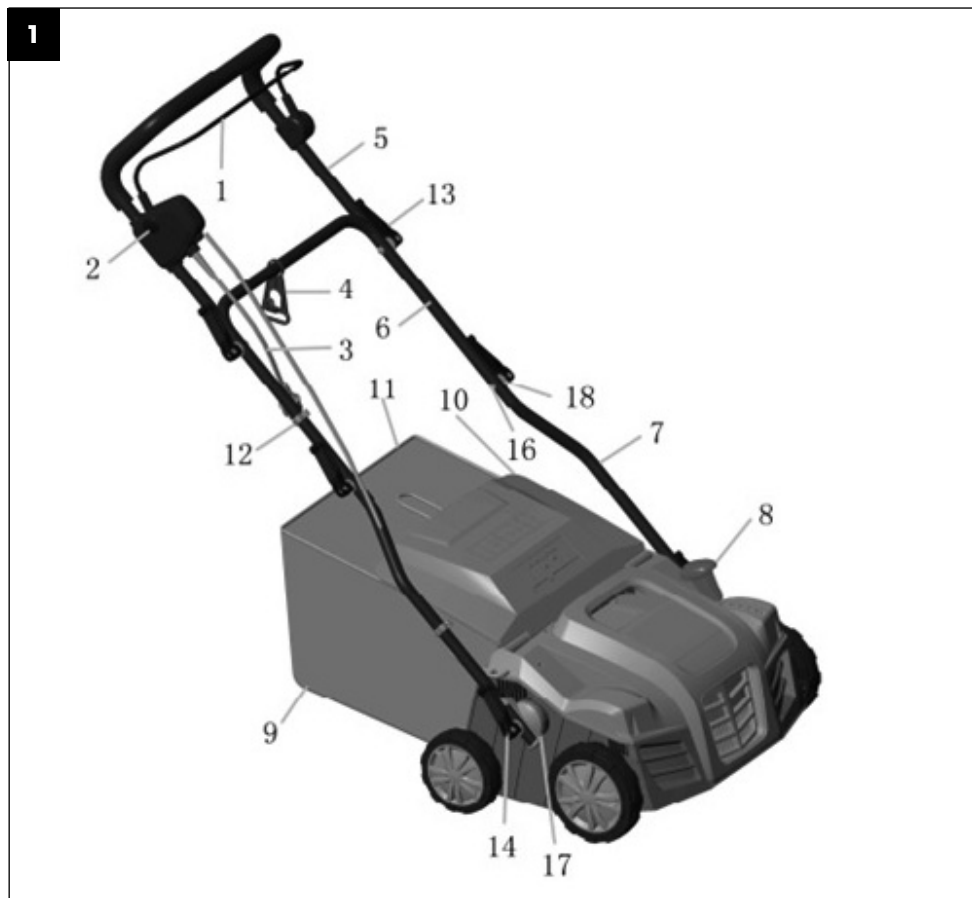
4. ÚČEL POUŽITIA

Zamýšľané použitie

- ✿ Elektrický vertikutátor FZV 4010 E je určený na prevzdušňovanie trávnikov a trávnatých plôch v súkromných domácich záhradách a záhradkách. Nie je určený na použitie vo verejných zariadeniach, parkoch, športových ihriskách, na komunikáciách, v poľnohospodárstve a lesníctve.

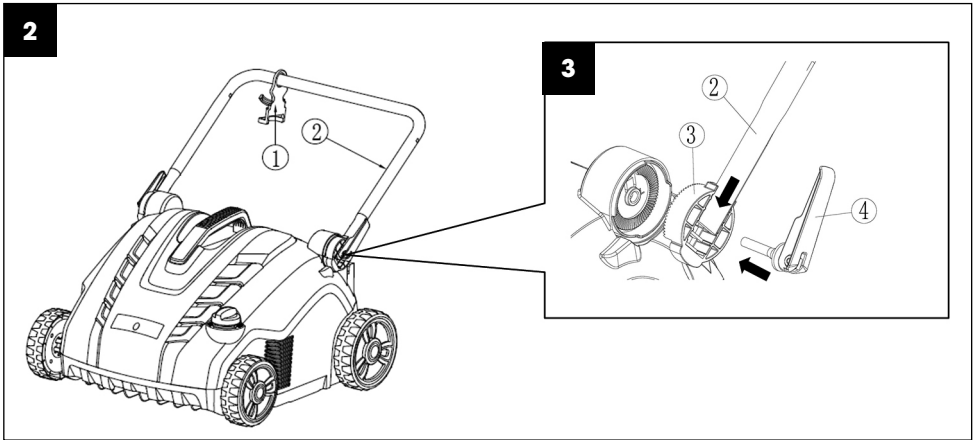
⚠ POZOR! Aby nedošlo k úrazu, nesmie sa elektrický vertikutátor používať na prerezávanie kríkov, živých plov a krovin. Ďalej sa nesmie elektrický vertikutátor používať na vyrovnávanie nerovností pôdy.

5. POPIS STROJA (OBR. 1)

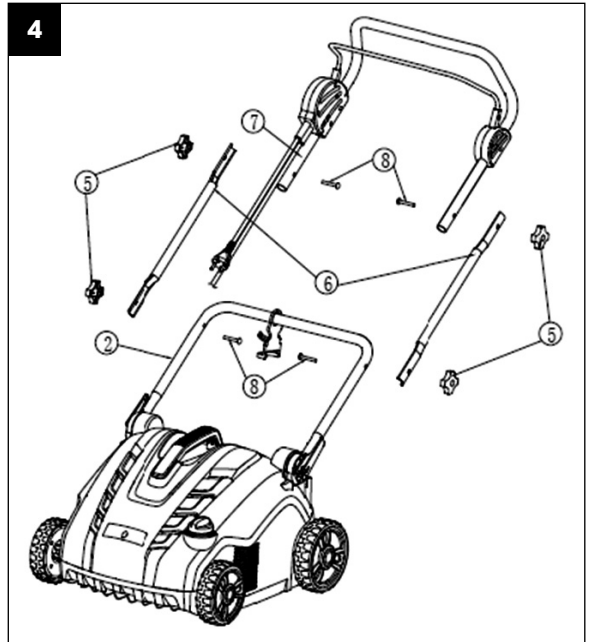


- | | | | |
|---|--------------------------------------|-------|------------------------------------|
| ① | Hlavný spínač | ⑩ | Kryt koša |
| ② | Poistka hlavného spínača | ⑪ | Rám koša |
| ③ | Sieťový kábel | ⑫ | Káblková klipsa |
| ④ | Istiaci hák kábla | ⑬ & ⑭ | Rýchlopínacia páka |
| ⑤ | Horný diel držadla | ⑮ | Skrutka držadla |
| ⑥ | Stredný diel držadla | ⑰ | Tisíchrán nastavenia výšky držadla |
| ⑦ | Spodný diel držadla | ⑱ | Podložka skrutky držadla |
| ⑧ | Ovládanie nastavenia pracovnej hĺbky | | |
| ⑨ | Kôš | | |

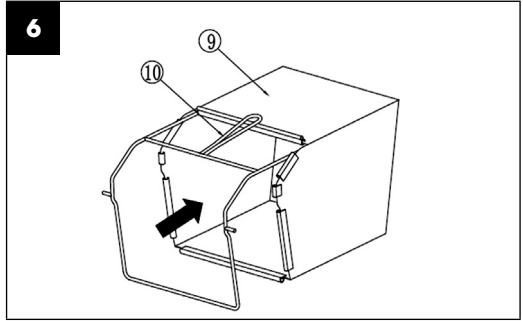
6. MONTÁŽ STROJA



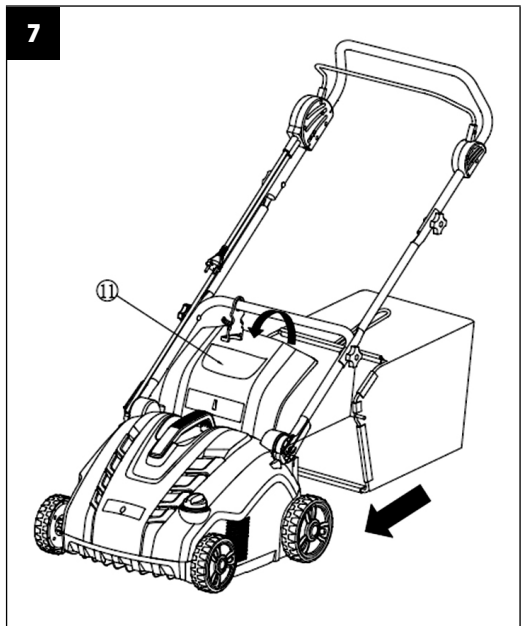
1. Nasuňte istiaci hák kábla ① na spodný diel držadla ② (obr. 2).
2. Zasuňte spodný diel držadla ② do otočnej jednotky ③. Potom zvonku naskrutkujte páku rýchlopínadla ④ k telu vertikutátora (obr. 3).
3. Zasuňte dve zaisťovacie skrutky ⑧ zvnútra otvorom v spodnom držadle ② a zaistite ich k strednému držadlu ⑥ dvomi krídlovými maticami ⑤ (obr. 4).
4. Zasuňte dve zaisťovacie skrutky ⑧ zvnútra otvorom v hornom držadle ⑦ a zaistite ich k strednému držadlu ⑥ dvomi krídlovými maticami ⑤ (obr. 4).



5. Vložte kovový rám (10) do látkového zberného koša (9) a pripevnite všetky príchytky na ľavú, pravú a zadnú tyč rámu. Uistite sa, či sú všetky príchytky správne zaistené (obr. 6).



6. Montáž celkom zostaveného zberného koša na vertikutátor (obr. 7).
- Nadvihnite ochranný kryt (11).
 - Uistite sa, či je vyhadzovací komín čistý a bez nečistôt.
 - Umiestnite úplne zostavený zberný kôš na upevňovacie body v zadnej časti šasi tak, ako je znázornené.
 - Na vrch zberného koša umiestnite ochranný kryt (11). Skontrolujte správne usadenie zberného koša.



POZNÁMKA: Na použitie bez zberu pokosenej trávy sa môže vertikutátor používať bez zberného koša s ochranným krytom (11) v spodnej polohe.

7. VÝMENA NOŽOV

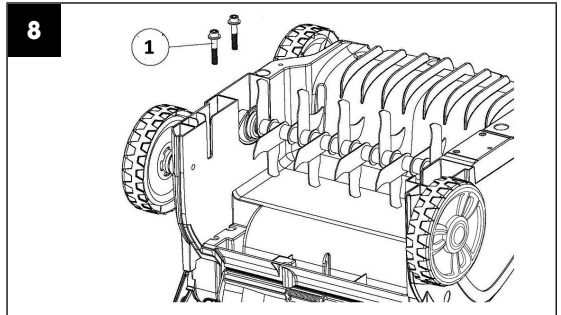
⚠ NEBEZPEČENSTVO!

Valce môžu spôsobiť zranenie!

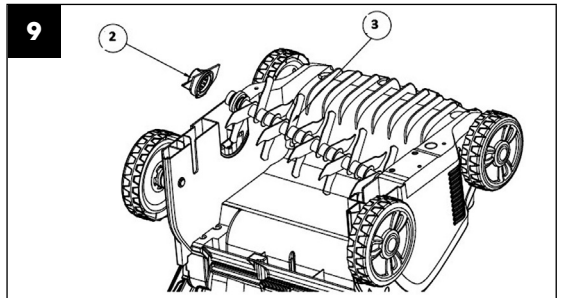
Pred výmenou, odpojte stroj od elektrickej siete a vyčkejte, kým sa valec neprestane točiť.

Pri výmene používajte pracovné rukavice.

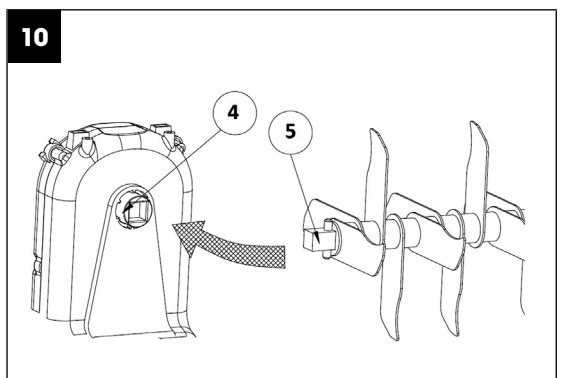
1. Vyskrutkujte skrutky ① na spodnej strane šasi (obr. 8).



2. Valec ③ zdvihnite pod uhlom a vyťahnite ho (obr. 9).
3. Odoberte domček ložiska ② z hriadeľa valca (obr. 9).
4. Nasuňte domček ložiska ② na druhý valec.



5. Nasuňte druhý valec na hnací hriadeľ tak, aby čap ⑤ zapadol do zodpovedajúcej časti v hnacom hriadeľi ④ (obr. 10).
6. Priskrutkujte domček ložiska ② k spodnej časti plášťa, pričom ho neufahujtie príliš.



8. NASTAVENIE VERTIKUTÁTORA

⚠ POZOR!

Pracovná hĺbka s vertikutačným valcom by mala byť max. 3 mm. Prevzdušňovací valec s pružinami by mal pri práci kopírovať povrch zeme. Nastavenie prílišnej pracovnej hĺbky bez viditeľného opotrebenia nožov/pružín môže spôsobiť poškodenie valca vertikutátora alebo preťaženie a zničenie motora. **Poškodíť môže aj trávnik.**

Nastavenie po opotrebení

Na zachovanie odporúčanej pracovnej hĺbky použite Ovládanie nastavenia pracovnej hĺbky (obr. 1, bod 8).

POZNÁMKA: Nože a pružiny vertikutátora podliehajú pri používaní opotrebeniu v dôsledku spôsobu, akým pracuje. Čím intenzívnejšie sa vertikutátor používa, tým väčšie je opotrebenie nožov či pružín. Tvrdá alebo veľmi suchá pôda urýchľuje proces opotrebenia, takisto ako nadmerné používanie. Ak budú v dôsledku opotrebenia nožov výsledky vašej práce s aerátorom stále horšie, je možné valce vertikutátora nastaviť tak, aby sa vždy dodržala pracovná hĺbka uvedená vyššie.

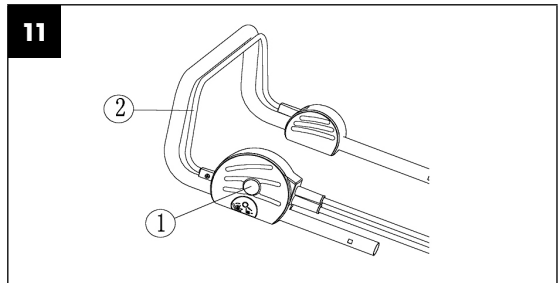
9. UVEDENIE DO PREVÁDZKY (OBR. 11)

Pred opätovným spustením sa uistite, či sa nôž prestal točiť.

Rýchlo nezapínajte a nevypínajte.

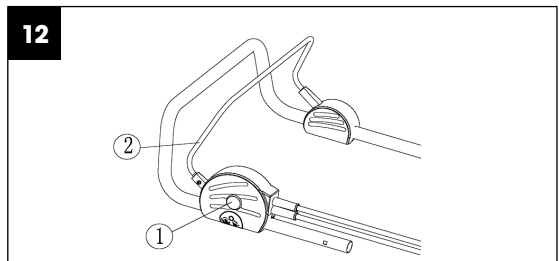
Spustenie

1. Stlačte a podržte bezpečnostné tlačidlo ①. Prítiahnite spúšťačiu páku ② k držadlu.
2. Uvoľnite bezpečnostné tlačidlo.



Vypnutie

Uvoľnite spúšťačiu páku ②.



10. ÚDRŽBA

Čistenie vertikutátora

- ⚠ **POZOR!** Nebezpečenstvo! Valec vertikutátora môže spôsobiť zranenie!
- ⚠ **POZOR!** Pred údržbou odpojte zariadenie od siete a vyčkajte, kým sa valec vertikutátora nezastaví.
- ⚠ **POZOR!** Pri vykonávaní údržby používajte pracovné rukavice.
- ✿ Vertikutátor by ste mali čistiť po každom použití.
- ⚠ **POZOR!** Nebezpečenstvo úrazu a hmotnej škody.
- ⚠ **POZOR!** Vertikutátor nečistite pod tečúcou vodou (najmä pod vysokým tlakom).
- ⚠ **POZOR!** Na čistenie vertikutátora nepoužívajte tvrdé alebo špicaté predmety.
- ✿ Odstráňte trávu a nánosy z kolies, valca vertikutátora a krytu.

11. VERTIKUTÁCIA / PREVZDUŠNENIE

- ✿ Na pohodlnú prácu s vertikutátorom je najlepšie začať pracovať v mieste, ktoré je najbližšie k napájaciemu zdroju, a postupovať smerom od napájacieho zdroja.
- ✿ Trávnik vertikutujte/prevzdušňujte v pravom uhle od napájacieho zdroja a umiestnite napájací kábel na tú stranu, ktorá už bola ošetrená.
- ⚠ **POZOR!** Pri práci nenechávajte motor príliš namáhať, obzvlášť v ťažkých podmienkach. Ak je motor namáhaný, poklesnú otáčky motora a vy začujete zmenu zvuku motora. Hneď ako sa to stane, prestaňte pracovať, uvoľníte spínaciu páku a znížte hĺbku vertikutácie/prevzdušňovania. Ak tak neurobíte, mohlo by dôjsť k poškodeniu stroja.
- 📖 **POZNÁMKA:** Motor je chránený bezpečnostnou poistkou, ktorá sa aktivuje v okamihu, keď dôjde k zadretiu listov alebo ak dôjde k preťaženiu motora. Hneď ako sa tak stane, vypnite stroj a vytiahnite zástrčku z napájacieho zdroja. Bezpečnostná poistka sa zresetuje iba v prípade, ak je uvoľnená spínacia páka. Odstráňte všetky prekážky a vyčkajte niekoľko minút, než sa zresetuje bezpečnostná poistka, a vy ste mohli pokračovať v práci. V tomto okamihu nemanipulujte so spínacou pákou, pretože to predlžuje čas resetu bezpečnostnej poistky. Ak dôjde k opätovnému vypnutiu stroja, zvýšte opäť hĺbku vertikutácie/prevzdušnenia, čím znížite zaťaženie motora.

12. TECHNICKÉ ÚDAJE

Elektrický vertikutátor	FZV 4010-E
Menovitý výkon	1800 W
Pracovný záber	40 cm
Pracovná hĺbka	+6 až -12 mm
Objem koša	55 l
Hmotnosť	12,8 kg
Trieda ochrany	IPX4
Pracovné otáčky valca	3 000 ot./min
Hladina akustického tlaku	$L_{pa} = 85,56 \text{ dB(A)}$ $K=3 \text{ dB(A)}$
Garantovaná hladina akustického výkonu	$L_{wa} = 104 \text{ dB(A)}$
Vibrácie	$5,508 \text{ m/s}^2$ $K=1,5 \text{ m/s}^2$

13. LIKVIDÁCIA

POKYNY A INFORMÁCIE O ZAOBCHÁDZANÍ S POUŽITÝM OBALOM

Použitý obalový materiál odložte na miesto určené obcou na ukladanie odpadu.



Stroj a jeho príslušenstvo sú vyrobené z rôznych materiálov, napr. z kovu a plastov. Poškodené súčiastky odovzdajte do triedeného zberu. Informujte sa na príslušnom úrade.



Tento výrobok spĺňa všetky základné požiadavky smerníc EÚ, ktoré sa naň vzťahujú.

Zmeny v texte, dizajne a technických špecifikáciách sa môžu meniť bez predchádzajúceho upozornenia a vyhradujeme si právo na ich zmenu.

Návod na použitie v originálnom jazyku.

VYHLÁSENIE O ZHODE

Výrobca:

FAST ČR, a. s.

Černokostelecká 2111, 100 00 Praha 10, Česká republika

DIČ: CZ26726548

Produkt/značka: ELEKTRICKÝ PREVZDUŠŇOVAČ TRÁVNIKA A VERTIKUTÁTOR /
FIELDMANN

Typ/model: FZV 4010 E

230 – 240 V stried., 50 Hz, 1 800 W, IPX4

Tento produkt spĺňa požiadavky nižšie uvedených smerníc a predpisov:

Smernica Rady ES pre strojové zariadenia 2006/42/ES

Smernica ES pre elektromagnetickú kompatibilitu (EMC) č. 2014/30/EÚ

Smernica ES o obmedzení používania niektorých nebezpečných látok v elektrických
a elektronických zariadeniach 2011/65/EU

a noriem:

EN 60335-1:2012+A11

EN 50636-2-92:2014

EN 62233:2008

EN 55014-1:2006+A1:2009+A2:2011

EN 55014-2:2015

EN 61000-3-11:2000

EN 61000-3-2:2014



Miesto vydania: Praha

Meno: Ing. Zdeněk Pech

Predseda predstavenstva

Dátum vydania: 1. 5. 2018

Podpis:

FAST FAST ČR, a. s. 
Černokostelecká 1621, 251 01 Říčany
IČO: 26726548 tel.: +420/ 323 204 111
DIČ: CZ26726548 fax: +420/ 323 204 110

ELEKTROMOS GYEPSZELLŐZTETŐ HASZNÁLATI ÚTMUTATÓ

**Tisztelt ügyfelünk,
nagyon köszönjük az irántunk táplált bizalmát!**

Az első üzembe helyezés előtt feltétlenül olvassa el ezt a használati útmutatót! Minden utasítást megtalál benne, amelyek elősegítik a készülék biztonságos használatát és hosszú élettartamát. Feltétlenül tartsa be a használati útmutatóban talált összes biztonsági utasítást!

TARTALOM

1. ÁLTALÁNOS BIZTONSÁGI ELŐÍRÁSOK.....	44
Fontos biztonsági figyelmeztetések.....	44
Csomagolás	44
Használati útmutató.....	44
2. JELZÉSEK	44
3. BIZTONSÁGI UTASÍTÁSOK.....	46
Minden használat előtt ellenőrizze.....	46
Helyes használat / Felelősség	46
A munka megszakítása	46
Elektromos biztonság	47
4. A HASZNÁLAT CÉLJA.....	47
Tervezett használat.....	47
5. A GÉP LEÍRÁSA	48
6. A GÉP ÖSSZESZERELÉSE	49
7. A KÉSEK KICSERÉLÉSE.....	51
8. A GYEPSZELLŐZTETŐ BEÁLLÍTÁSA	52
Beállítás elkopás után	52
9. ÜZEMBE HELYEZÉS	52
Elindítás.....	52
Kikapcsolás.....	52
10. KARBANTARTÁS.....	53
A gypszellőztető tisztítása	53
11. VERTIKUTÁLÁS / SZELLŐZTETÉS	53
12. MŰSZAKI ADATOK.....	54
13. MEGSEMMISÍTÉS	54
MEGFELELŐSÉGI NYILATKOZAT CE.....	55

1. ÁLTALÁNOS BIZTONSÁGI ELŐÍRÁSOK

Fontos biztonsági figyelmeztetések


- ✿ A terméket gondosan csomagolja ki és ügyeljen arra, hogy ne dobjon ki semmit, mielőtt minden alkatrészt meg nem talál.
- ✿ A gépet tartsa száraz helyen és gyermekektől távol.
- ✿ Olvassa el az összes figyelmeztetést és utasítást. A figyelmeztetések és utasítások figyelmen kívül hagyásának áramütés, tűz és/vagy komoly sérülés lehet a következménye.

Csomagolás

- ✿ A terméket a csomagolása védi a szállítás közbeni sérüléstől. Ez a csomagolás újrahasznosítható anyagból készült.


Használati útmutató

- ✿ Mielőtt használni kezdi a gépet, olvassa el a következő biztonsági előírásokat és a használati utasításokat. Ismerkedjen meg a kezelőegységekkel és a készülék helyes használatával. Az útmutatót gondosan őrizze meg későbbi szükség esetére. Javasoljuk, hogy legalább a jótállás idejére őrizze meg a termék eredeti dobozát, csomagolását, pénztárbizonylatát és jótállási jegyét.
- ✿ Szállítás esetén csomagolja vissza az eredeti gyári csomagolásba, így maximális védelmet biztosít számára (pl. költözés vagy szervizbe küldés esetén).


 **MEGJEGYZÉS:** Ha a gépet másik személynek adja át, az útmutatót is adja oda.

- ✿ A használati útmutató utasításainak betartása a gép helyes használatának alapfeltétele. A használati útmutató a kezelésre, karbantartásra és javításra vonatkozó utasításokat is tartalmaz.
- ✿ A gyártó nem felel az útmutató utasításainak be nem tartásából adódó balesetekért vagy károkért.

2. JELZÉSEK

 **VIGYÁZAT!** Üzembe helyezés előtt figyelmesen olvassa el a használati útmutatót, és az általános biztonsági előírásokat!

Ne dolgozzon esőben vagy rossz időjárási viszonyok között!

 **VIGYÁZAT!** A gypszellőztető kikapcsolása után a kés még forog!
Tartsa be a biztonságos távolságot!
Vigyázat, forgó kések!


	<p>Vigyázat! Üzembe helyezés előtt figyelmesen olvassa el a használati útmutatót, és az általános biztonsági előírásokat!</p>
	<p>Ne dolgozzon esőben vagy rossz időjárási viszonyok között!</p>
	<p>Vigyázat, a gyepszellőztető kikapcsolása után a kés még forog!</p>
	<p>Tartsa be a biztonságos távolságot!</p>
	<p>Vigyázat, forgó kések! Éles kés(ek). Ügyeljen rá, hogy ne sérüljön meg, és ne vágja le az ujjait!</p>
	<p>A gép beállításának vagy karbantartásának elvégzése előtt, vagy ha az áramvezeték becsípődött vagy sérült, mindig kapcsolja ki a motort és húzza ki a kábeldugót az aljzatból!</p>
	<p>A munkánál használjon védőeszközöket.</p>
	<p>A gép üzembe helyezése előtt húzza ki a kábelt az áramhálózatból.</p>

3. BIZTONSÁGI UTASÍTÁSOK

Köszönjük, hogy megvásárolta ezt a kerti gepszellőztetőt. Mielőtt használni kezdi, figyelmesen olvassa el ezt a használati útmutatót és őrizze meg a későbbiekre.


Minden használat előtt ellenőrizze

- ✿ Ellenőrizze az elektromos gepszellőztetőt minden használat előtt.
- ✿ Ne használja az elektromos gepszellőztetőt, ha a biztonsági berendezései (indítókar, biztonsági blokkoló, hátsó burkolat vagy fedél) sérültek vagy elhasználódtak.
- ✿ Soha ne használja a készüléket blokkolt vagy hiányzó biztonsági berendezésekkel.

 **MEGJEGYZÉS:** Gondoskodjon róla, hogy minden anya és csavar meg legyen húzva, és hogy gepszellőztető jó műszaki állapotban legyen.

- ✿ A munka megkezdése előtt ellenőrizze a területet, amelyet ki kell szellőztetnie. Ellenőrizze a munkaterületet, nincsenek-e ott idegen tárgyak (pl. kövek, ágak, kötelek), és ha kell, távolítsa el őket.

Helyes használat / Felelősség


 **VIGYÁZAT!** Veszély! Baleset veszélye! A gepszellőztető komoly sérüléseket okozhat!

- ✿ Ne tegye a kezét a gepszellőztető hengerének közelébe.
- ✿ Felelős az ezekben az utasításokban megadott használati módok biztonságáért.
- ✿ Csak jó látási viszonyok között dolgozzon.
- ✿ Használat közben ne nyissa ki a hátsó fedelet.
- ✿ Ismerkedjen meg a munkaterület környékével. Ellenőrizze az esetleges veszélyforrásokat, amelyek a készülék zajától nem lennének hallhatóak.
- ✿ Lába védelme érdekében stabil cipőt és hosszú nadrágot viseljen.
- ✿ Ügyeljen rá, hogy a lába biztonságos távolságban legyen a mozgó alkatrészekről.
- ✿ Ügyeljen rá, hogy a munkaterület közelében ne legyenek emberek (különösen gyermekek) és állatok.
- ✿ A gepszellőztetőt mindig sétatempóban tolja.
- ✿ Munka közben ügyeljen rá, hogy a lába biztonságosan legyen alátámasztva.
- ✿ Különösen legyen óvatos, ha lejtőn irányt változtat.

 **VIGYÁZAT!** Különösen óvatos legyen, ha hátrafelé megy. Megbotolhat!

- ✿ Ne használja az elektromos gepszellőztetőt esőben vagy vizes, nedves körülmények között.
- ✿ Ne használja a gepszellőztetőt medence vagy kerti tó széle mellett.
- ✿ Tartson be minden helyi zajkorlátozásra vonatkozó előírást.

A munka megszakítása

 **VIGYÁZAT!** Soha ne hagyja az elektromos gepszellőztetőt a munkaterületen felügyelet nélkül.

- ✿ Ha megszakítja a munkát, helyezze a berendezést biztonságos helyre. Húzza ki a hálózati aljzatból! Ha azért szakítja meg a munkát, hogy áttelepüljön másik munkaterületre, az áttelepülés idejére kapcsolja ki az elektromos gypepszellőztetőt. Az elhasználódás kiegyenlítésére szolgáló kart csúsztassa szállítási állásba.
- ✿ Ha talajlazítás közben akadályba ütközik, kapcsolja ki az elektromos gypepszellőztetőt, és távolítsa el az akadályt.

Ellenőrizze az elektromos gypepszellőztetőt, nem sérült-e meg, és szükség esetén javíttassa meg.

Elektromos biztonság

- ✿ A hosszabbító kábelt tartsa távol a gypepszellőztető tengelyétől!
- ✿ Soha ne használja az elektromos gypepszellőztetőt esőben.
- ✿ Tartsa be a csendes időszakokra vonatkozó helyi előírásokat.
- ✿ Rendszeresen ellenőrizni kell a csatlakozó / hosszabbító kábelt, nem sérül-e és nem mutatja-e elhasználódás jeleit.
- ✿ Ha a csatlakozó / Hosszabbító kábel megsérült, azonnal húzza ki a hálózatról.
- ✿ A hosszabbító kábel hosszabbító csatlakozójának vízállónak kell lennie, hogy óvja víz ráfröccsenésétől, vagy a hosszabbító kábel csatlakozóalja kell, hogy gumiból készüljön vagy gumiborítással legyen ellátva.
- ✿ A hosszabbító kábelnek teljesítenie kell a DIN VDE 0620 követelményeit.
- ✿ Csak jóváhagyott és megfelelő keresztmetszetű hosszabbító kábelt használjon. Kérjen tanácsot villanyszerelőjétől.
- ✿ A hosszabbító kábelhez csatlakoztató tartozékokat kell használni.
- ✿ Olyan hordozható berendezéshez, amit a szabadban használ, 30 mA maradékáram értékkel rendelkező áramvédőt használjon. Svájcban az áramvédő használata kötelező.

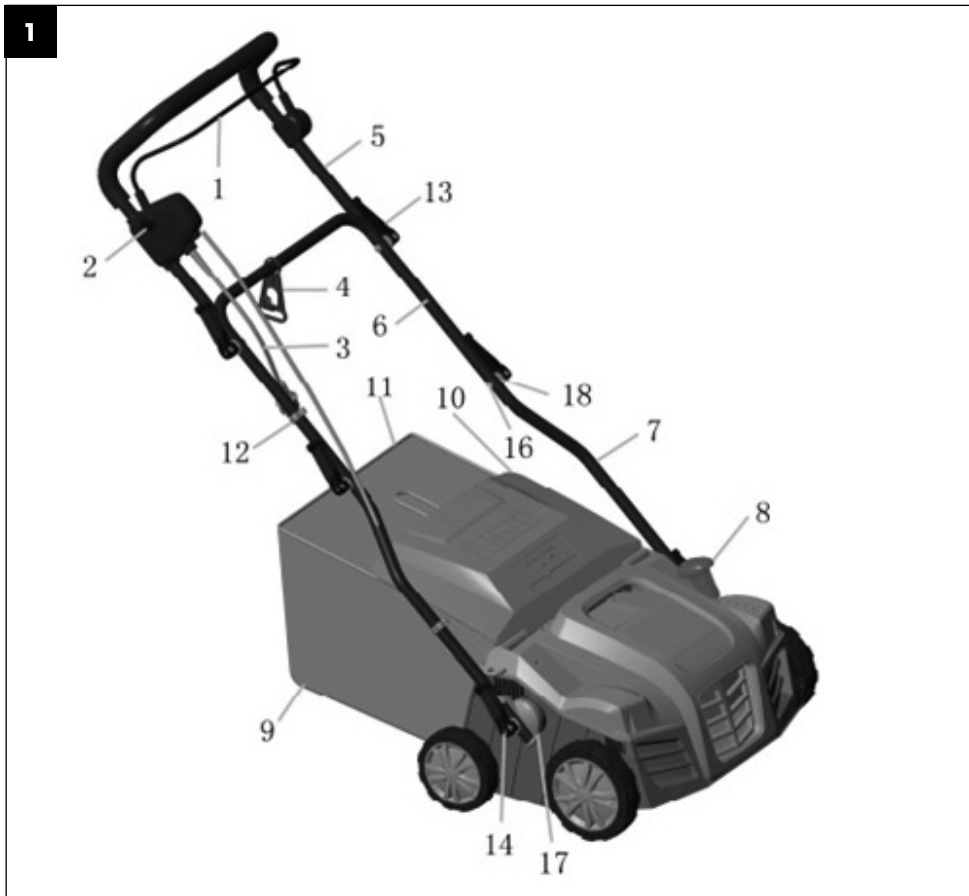
4. A HASZNÁLAT CÉLJA

Tervezett használat

- ✿ Az FZV 4005 elektromos gypepszellőztető otthoni kertek füves területeinek és pázsitjainak szellőztetésére való. Nem való nyilvános tereken, parkokban, sportközpontokban, autóutakon, a mezőgazdaságban vagy erdőszelvényben történő munkavégzésre.

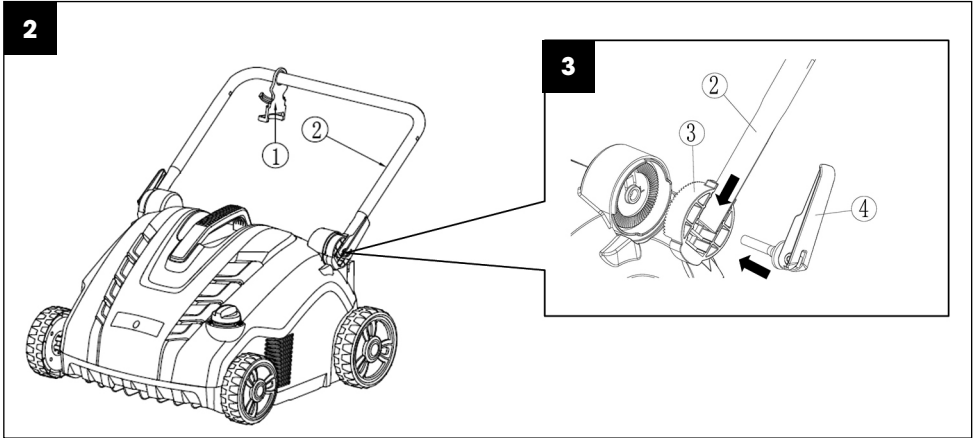
⚠ VIGYÁZAT! Az áramütés elkerülése érdekében az elektromos gypepszellőztetőt nem szabad sövények, bozótok átvágására használni. Továbbá az elektromos gypepszellőztető nem használható a talaj egyenetlenségeinek kisimítására.

5. A GÉP LEÍRÁSA (1. ÁBRA)

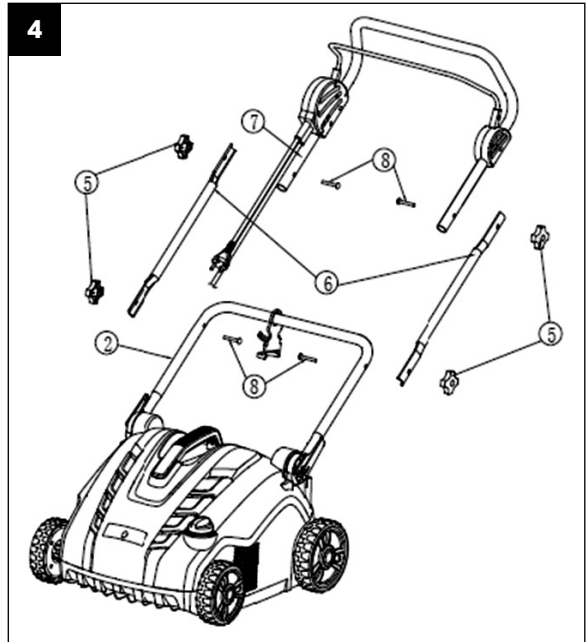


- | | |
|---|--|
| ① Főkapcsoló | ⑩ A kosár fedele |
| ② A főkapcsoló biztosító gombja | ⑪ A kosár kerete |
| ③ Tápkábel | ⑫ Kábelcsipesz |
| ④ A kábel biztosító kampója | ⑬ & ⑭ Gyorsszorító kar |
| ⑤ A fogantyú felső része | ⑮ A fogantyú csavarja |
| ⑥ A fogantyú középső része | ⑯ Sokfog a fogantyú magasságának beállításához |
| ⑦ A fogantyú alsó része | ⑰ A fogantyú csavarjának alátéteje |
| ⑧ A munkamélység beállításának kezelése | |
| ⑨ Kosár | |

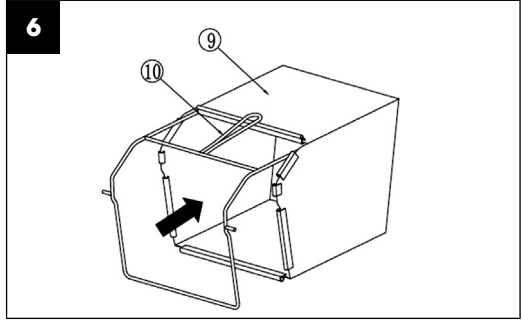
6. A GÉP ÖSSZESZERELÉSE



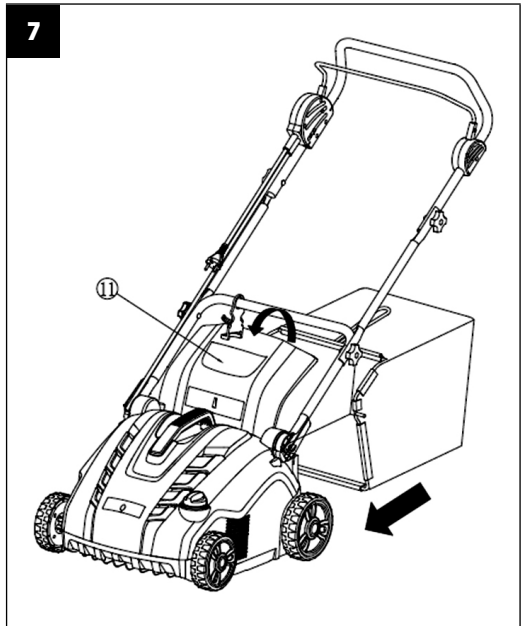
1. A kábel biztosító kampóját ① csúsztassa rá a fogantyú alsó részére ② (2. ábra)
2. Csúsztassa be a fogantyú alsó részét ② a forgóegységbe ③. Ezután kívülről csavarozza fel a gyorsrögzítő kart ④ a gyepszellőztető testéhez (3. ábra).
3. Tegye be a két biztosító csavart ⑧ nyílással befelé az alsó fogantyúba ②, és erősítse a középső fogantyúhoz ⑥ a két szárnya anyával ⑤ (4. ábra).
4. Tegye be a két biztosító csavart ⑧ nyílással befelé az alsó fogantyúba ⑦, és erősítse a középső fogantyúhoz ⑥ a két szárnya anyával ⑤ (4. ábra).



5. Tegye be a fémkeretet (10) a szövet gyűjtőkorsárba (9) és rögzítsen minden elemet a keret bal, jobb és hátsó rúdjaához. Győződjön meg róla, minden rögzítőelem megfelelően rögzítve van (6. ábra).



6. A teljesen összeállított gyűjtőkorsár felszerelése a gyepszellőztetőre (7. ábra).
- Emelje fel a védőborítást (11).
 - Bizonyosodjon meg róla, hogy a kido-bócsó szennyeződésektől mentes.
 - Helyezze a teljesen összeállított gyűjtőkorsarat a készüléktest hátsó részén lévő rögzítőpontokra a minta szerint.
 - A gyűjtőkorsár tetejére helyezze vissza a védőborítást (11). Ellenőrizze, helyesen van-e beillesztve a gyűjtőkorsár.



MEGJEGYZÉS: Ha a levágott fűvet nem akarja összegyűjteni, a fűnyírót a gyepszellőztető nélkül is használhatja (11) alsó állásban lévő védőborítással.

7. A KÉSEK KICSERÉLÉSE

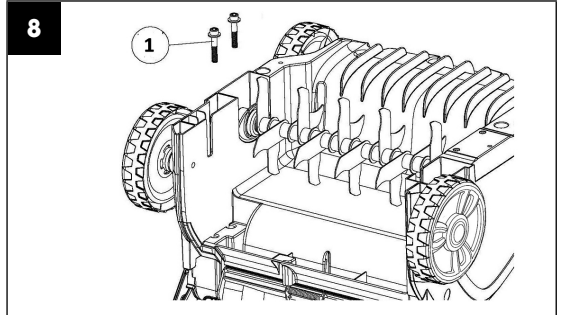
⚠ VESZÉLY!

A hengerek sérülést okozhatnak!

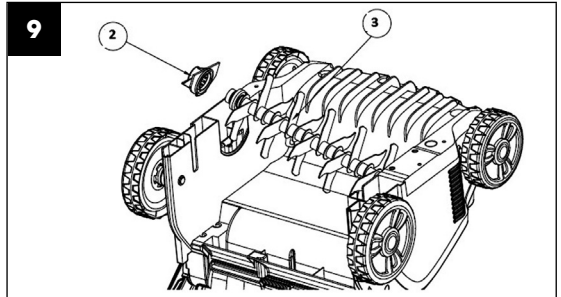
Csere előtt húzza ki a gépet az elektromos hálózathoz, és várja meg, míg a henger forgása megáll.

Csere esetén használjon védőkesztyűt.

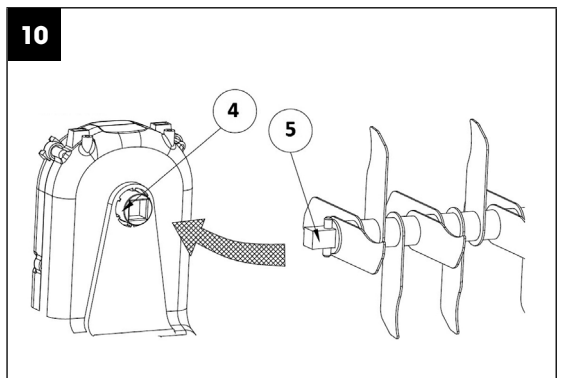
1. Engedje ki a csavarokat ① a készüléktest alsó oldalán (8. ábra).



2. A hengert ③ emelje meg megfelelő szögben, és húzza ki (9. ábra).
3. Vegye le a csapágyházat ② a hengerrel (9. ábra).
4. Csúsztassa rá a csapágyházat ② a másik hengerre.



5. Csúsztassa a második hengert a hajtótengelyre úgy, hogy a csap ⑤ a hajtótengely megfelelő részébe illeszkedjen (10. ábra).
6. Csavarozza hozzá a csapágyházat ② a palást alsó részéhez, de ne húzza meg túl erősen.



8. A GYEPSZELLŐZTETŐ BEÁLLÍTÁSA

⚠ VIGYÁZAT!

A munkamélység a gypszellőztető hengerrel legfeljebb 3 mm legyen. A rugós szellőztető hengernek munka közben másolnia kell a föld felszínét. A túlzott munkamélység beállítása a kések/ rugók látható kopása nélkül is meghibásodást okozhat a gypszellőztető hengerében vagy túlterhelheti és elronthatja a motort. **Sérülhet a pázsit is.**

Beállítás elkopás után

Az ajánlott munkamélység megőrzését illetően használja a Munkamélység beállításának kezelése ábrát (1. ábra 8. pont).

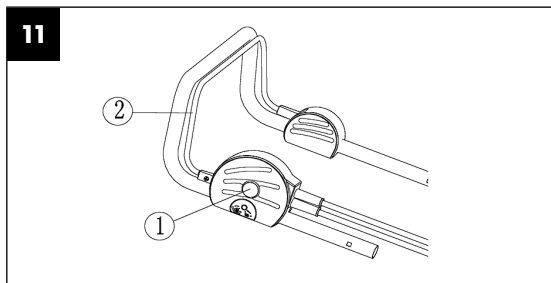
MEGJEGYZÉS: A gypszellőztető kései és rugói használat közben a munkavégzés módjától függően kopnak. Minél intenzívebben használják a gypszellőztetőt, annál erősebb a kések és rugók kopása. A kemény vagy nagyon száraz talaj meggyorsítja a kopási folyamatot, akárcsak a túlzott igénybevétel. Ha a kések kopása miatt az aerátorral végzett munka eredménye egyre rosszabb, a gypszellőztető hengerét be lehet állítani úgy, hogy a fent megadottaknak megfelelő munkamélységet mindig betartsa.

9. ÜZEMBE HELYEZÉS (11. ÁBRA)

**Mielőtt újra beindítja, bizonyosodjon meg róla, hogy a kés már nem forog.
Ne kapcsolja be és ki gyors egymásutánban.**

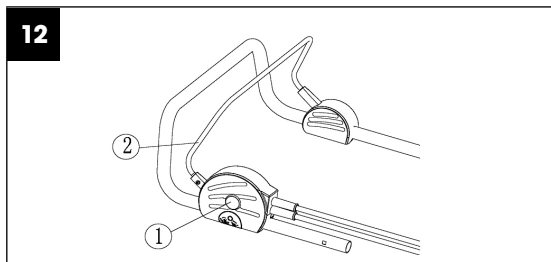
Elindítás

1. Nyomja meg és tartsa az ① biztonsági gombot. Húzza az indítókart ② a fogantyú felé.
2. Engedje fel a biztonsági kapcsolót.



Kikapcsolás

Engedje el a ② kapcsolókart.



10. KARBANTARTÁS

A gypszellőztető tisztítása

- ⚠ **VIGYÁZAT!** Veszély! A gypszellőztető tengelye sérülést okozhat!
- ⚠ **VIGYÁZAT!** Karbantartás előtt húzza ki a gépet az elektromos hálózatról, és várja meg, míg a gypszellőztető hengerének forgása megáll.
- ⚠ **VIGYÁZAT!** Karbantartáskor használjon védőkesztyűt.
- ✿ A gypszellőztetőt minden használat után meg kell tisztítani.
- ⚠ **VIGYÁZAT!** Áramütés és anyagi kár veszélye.
- ⚠ **VIGYÁZAT!** A gypszellőztetőt ne tisztítsa folyó víz alatt (különösen magas nyomás alatt).
- ⚠ **VIGYÁZAT!** A gypszellőztető tisztításához ne használjon kemény vagy hegyes tárgyakat.
- ✿ Távolítsa el a fűvet és a lerakódásokat a kerékről, a gypszellőztető hengeréről és a borításról.

11. VERTIKUTÁLÁS / SZELLŐZTETÉS

- ✿ A gypszellőztetővel való kényelmes munka érdekében a legjobb, ha a munkát a tápforráshoz legközelebb eső helyen kezdi, és fokozatosan távolodik a tápforrástól.
- ✿ A gépet a tápforráshoz képest derékszögben vertikutálja / szellőztesse, és a kábelt arra az oldalra tegye, amelyet már megdolgolt.
- ⚠ **VIGYÁZAT!** Munka közben ne hagyja a motort túlterhelődni, különösen nehéz körülmények között. Ha a motor túl van terhelve, a fordulatszám csökken, és a motor hangján hallani fogja a változást. Amint erre sor kerül, hagyja abba a munkát, engedje el a kapcsolókart, és csökkentse a vertikutálás / szellőztetés mélységét. Ha nem így tesz, a gép meghibásodhat.
- 📖 **MEGJEGYZÉS:** A motort biztonsági kapcsoló védi, ami abban a pillanatban aktiválódik, amint levelek szorulnak be vagy a motor túlterhelődik. Amint ez történik, kapcsolja ki a gépet, és húzza ki a csatlakozót a tápforrásból. A biztonsági kapcsoló csak akkor áll vissza alapállapotba, ha fel van engedve a kapcsolókar. Távolítsa el minden akadályt, várjon néhány percig, amíg a biztonsági kapcsoló visszaáll alapállapotba, és folytatni tudja a munkát. Ebben a pillanatban ne nyúljon a kapcsolókarhoz, mert ez meghosszabbíthatja a biztonsági kapcsoló újraindulását. Ha a gép újra kikapcsolódik, növelje újra a vertikutálás / szellőztetés mélységét, amivel csökkenti a gép terhelését.

12. MŰSZAKI ADATOK

Elektromos gypszelezőzető.....	FZV 4010-E
Névleges teljesítmény.....	1800 W
A munkaszélesség.....	40cm
Munkamélység.....	+6 – -12 mm
A kosár térfogata.....	55 l
Tömeg.....	12,8 kg
Védelmi osztály.....	IPX4
A tengely munkafordulatszám.....	3 000 ford./perc
Akustikai nyomásszint.....	$L_{pa} = 85,56 \text{ dB(A)}$ $K=3 \text{ dB(A)}$
Garantált akustikai teljesítményszint.....	$L_{wa} = 104 \text{ dB(A)}$
Vibráció.....	$5,508 \text{ m/s}^2$ $K=1,5 \text{ m/s}^2$

13. MEGSEMMISÍTÉS

A HASZNÁLT CSOMAGOLÓANYAGOKRA VONATKOZÓ UTASÍTÁSOK ÉS TÁJÉKOZTATÓ

A használt csomagolóanyagot az önkormányzat által kijelölt hulladékgyűjtő helyen adja le.



A gép és tartozékai különböző anyagokból, pl. fémből és műanyagból készültek. A sérült alkatrészeket adja le szelektív gyűjtőhelyen. Tájékoztadjon az illetékes hivatalnál.



Ez a termék teljesíti minden rá vonatkozó EU-irányelv alapkövetelményeit.

Változtatások a szövegben, a kivitelben és a műszaki jellemzőkben előzetes figyelmeztetés nélkül történhetnek, a módosításra vonatkozó jog fenntartva.

Használati útmutató az eredeti nyelven.

MEGFELELŐSÉGI NYILATKOZAT

Gyártó:

FAST ČR, a. s.

Černokostelecká 2111, 100 00 Praha 10, Cseh Köztársaság

Adóazonosító: CZ26726548

Termék/márka: ELEKTROMOS GYEPSZELLŐZTETŐ ÉS LAZÍTÓ / FIELDMANN**Típus/modell:** FZV 4010 E

230–240 V váltóáram, 50 Hz, 1800 W, IPX4

Ez a termék megfelel az alábbi előírásoknak és irányelveknek:

Az EK Tanácsának gépi berendezésekre vonatkozó 2006/42/EK számú irányelve

Az elektromágneses kompatibilitásra (EMC) vonatkozó 2014/30/EU sz. EK-irányelv

Az EK egyes veszélyes anyagok elektromos és elektronikus berendezésekben való alkalmazásának korlátozásáról szóló 2011/65/EU irányelve

valamint normáknak:

EN 60335-1:2012+A11

EN 50636-2-92:2014

EN 62233:2008

EN 55014-1:2006+A1:2009+A2:2011

EN 55014-2:2015

EN 61000-3-11:2000

EN 61000-3-2:2014

**A kiadás helye:** Prága**Név:** Ing. Zdeněk Pech

A képviselő elnöke

A kiadás dátuma: 1. 5. 2018**Alíráás:**

FAST FAST ČR, a.s. 
Černokostelecká 1621, 251 01 Říčany
IČO: 26726548 tel.: +420/ 323 204 111
DIČ: CZ26726548 fax: +420/ 323 204 110

WERTYKULATOR ELEKTRYCZNY

INSTRUKCJA OBSŁUGI

Szanowna Klientko, szanowny Kliencie,

cieszymy się, że obdarzyli nas Państwo swoim zaufaniem!

Przed pierwszym uruchomieniem urządzenia prosimy koniecznie zapoznać się z niniejszą instrukcją obsługi! Zawiera ona wszystkie zalecenia zapewniające bezpieczne użytkowanie i długą żywotność urządzenia. Prosimy o bezwarunkowe przestrzeganie wszystkich zaleceń bezpieczeństwa podanych w niniejszej instrukcji!

SPIS TREŚCI

1. OGÓLNE ZASADY BEZPIECZEŃSTWA	58
Ważne ostrzeżenia dotyczące bezpieczeństwa	58
Opakowanie.....	58
Instrukcja obsługi.....	58
2. SYMBOLE	58
3. WSKAZÓWKI BEZPIECZEŃSTWA.....	60
Kontrola przed każdym uruchomieniem.....	60
Prawidłowa eksploatacja / Odpowiedzialność	60
Przerwa w pracy.....	60
Bezpieczeństwo elektryczne.....	61
4. CEL UŻYCIA	61
Przeznaczenie.....	61
5. OPIS MASZYNY (Rys. 1)	62
6. MONTAŻ maszyny	63
7. WYMIANA NOŻY	65
8. USTAWIENIA WERTYKULATORA	66
Regulacja po zużyciu	66
9. URUCHOMIENIE (rys. 11).....	66
Włączanie.....	66
Wyłączanie.....	66
10. KONSERWACJA.....	67
Czyszczenie wertykulatora	67
11. WERTYKULACJA / SPULCHNIANIE	67
12. DANE TECHNICZNE	68
13. LIKWIDACJA.....	68
DEKLARACJA ZGODNOŚCI CE.....	69

1. OGÓLNE ZASADY BEZPIECZEŃSTWA

Ważne ostrzeżenia dotyczące bezpieczeństwa


- ✿ Starannie rozpakuj wyrób, zwracając uwagę, by nie wyrzucić żadnej części materiału opakowaniowego, zanim nie znajdziesz wszystkich elementów produktu.
- ✿ Przechowuj wyrób w suchym miejscu z dala od dzieci.
- ✿ Przeczytaj wszystkie uwagi i wskazówki. Nieprzestrzeganie ostrzeżeń i wskazówek może spowodować porażenie prądem elektrycznym, pożar lub ciężkie obrażenia.

Opakowanie

- ✿ Wyrób został umieszczony w opakowaniu chroniącym je przed uszkodzeniem podczas transportu. Opakowanie to jest surowcem i dlatego podlega recyklingowi.


Instrukcja obsługi

- ✿ Zanim rozpoczniesz pracę z urządzeniem, przeczytaj następujące zasady bezpieczeństwa i wskazówki dotyczące użytkowania. Zapoznaj się z elementami sterowania i prawidłowym użyciem urządzenia. Instrukcję należy starannie zachować do wglądu. Co najmniej w okresie gwarancyjnym zalecamy zachowanie oryginalnego opakowania łącznie z wewnętrznym materiałem opakowaniowym, dokumentu kasowego i karty gwarancyjnej.
- ✿ W razie transportu zapakuj maszynę z powrotem do oryginalnego pudełka dostarczonego przez producenta, zapewniając w ten sposób maksymalną ochronę produktu podczas ewentualnego transportu (np. przeprowadzki lub wysyłki do serwisu).


 **UWAGA:** Jeśli przekazujesz maszynę innym osobom, przekaz ją razem z instrukcją.

- ✿ Przestrzeganie załączonej instrukcji obsługi stanowi założenie prawidłowego użycia urządzenia. Instrukcja obsługi zawiera również wskazówki dotyczące obsługi, konserwacji i naprawy.
- ✿ Producent nie ponosi odpowiedzialności za wypadki lub szkody powstałe na skutek nieprzestrzegania niniejszej instrukcji.

2. SYMBOLE

 **UWAGA!** Przed uruchomieniem urządzenia przeczytaj uważnie instrukcję obsługi i ogólne wskazówki bezpieczeństwa!

Nie pracuj podczas deszczu ani przy złych warunkach pogodowych!

 **UWAGA!** Po wyłączeniu wertykulatora uchwyt się jeszcze przez chwilę obraca!
Utrzymuj bezpieczną odległość!
Uwaga, noże rotujące!


	<p>Uwaga! Przed uruchomieniem urządzenia przeczytaj uważnie instrukcję obsługi i ogólne wskazówki bezpieczeństwa!</p>
	<p>Nie pracuj podczas deszczu ani przy złych warunkach pogodowych!</p>
	<p>Uwaga, po wyłączeniu wertykulatora nóż się jeszcze przez chwilę obraca!</p>
	<p>Utrzymuj bezpieczną odległość!</p>
	<p>Uwaga, noże rotujące! Ostry (e) nóż (noże). Chroń się przed zranieniem i utratą palców na kończynach!</p>
	<p>Przed dokonaniem ustawień maszyny, przed jego konserwacją lub jeśli elektryczne przewody doprowadzające zaklinowały się lub zostały uszkodzone, należy zawsze wyłączyć silnik i wyciągnąć wtyczkę z gniazdka elektrycznego!</p>
	<p>Podczas pracy należy używać ochraniaczy.</p>
	<p>Przed rozpoczęciem prac na urządzeniu wyciągnij kabel z sieci napięcia elektrycznego.</p>

3. WSKAZÓWKI BEZPIECZEŃSTWA

Dziękujemy za zakupienie tego wertykulatora. Zanim zaczniesz z niego korzystać, przeczytaj uważnie niniejszą instrukcję obsługi i zachowaj ją do wglądu.


Kontrola przed każdym uruchomieniem

- ✿ Przed każdym użyciem sprawdź wertykulator elektryczny.
- ✿ Nie używaj wertykulatora, jeśli urządzenia zabezpieczające (dźwignia uruchamiająca, blokada zabezpieczająca, tylna pokrywa lub osłona) są uszkodzone lub zużyte.
- ✿ Nigdy nie używaj maszyny, jeśli urządzenia zabezpieczające są zablokowane lub brakuje ich.


 **UWAGA:** Zadbaj o to, aby wszystkie nakrętki i śruby były dokręcone oraz by wertykulator był w dobrym stanie roboczym.

- ✿ Przed rozpoczęciem pracy dokonaj przeglądu miejsca, które ma zostać spalchnione.
- Sprawdź, czy w miejscu pracy nie ma przedmiotów obcych (np. kamieni, gałęzi, sznurów) i ewentualnie usuń je.

Prawidłowa eksploatacja / Odpowiedzialność

 **UWAGA!** Niebezpieczeństwo! Ryzyko obrażeń! Wertykulator może spowodować poważne obrażenia!

- ✿ Nie umieszczaj rąk ani nóg w pobliżu cylindra wertykulatora.
- ✿ Ponosisz odpowiedzialność za bezpieczną eksploatację opisaną w niniejszej instrukcji.
- ✿ Pracuj wyłącznie przy dobrej widoczności.
- ✿ Podczas pracy nie otwieraj tylnej pokrywy.
- ✿ Zapoznaj się z otoczeniem swojego miejsca pracy. Sprawdź, czy nie istnieje ewentualnie niebezpieczeństwo, którego być może nie słyszysz ze względu na hałas.
- ✿ Aby chronić nogi, noś mocne obuwie i długie spodnie.
- ✿ Zadbaj o to, aby Twoje nogi znajdowały się w bezpiecznej odległości od poruszających się części.
- ✿ Zadbaj o to, aby nigdzie w pobliżu miejsca pracy nie znajdowały się żadne osoby (w szczególności dzieci) ani zwierzęta.
- ✿ Popychaj wertykulator z prędkością spacerową.
- ✿ Pozycja podczas pracy: zadbaj o to, abyś podczas pracy miał bezpieczne oparcie nóg.
- ✿ Zachowaj szczególną ostrożność podczas zmiany kierunku pracy na zbozczu.

 **UWAGA!** Zachowaj szczególną ostrożność podczas pracy w kierunku do tyłu. Możesz się potknąć!

- ✿ Nie używaj wertykulatora elektrycznego podczas deszczu lub w wilgotnym czy mokrym miejscu.
- ✿ Nie pracuj z wertykulatorem w pobliżu krawędzi basenów lub oczek wodnych.
- ✿ Przestrzegaj wszystkich lokalnych ograniczeń dotyczących głośności.

Przerwa w pracy

 **UWAGA!** Nigdy nie pozostawiaj wertykulatora elektrycznego w miejscu pracy bez nadzoru.

- ✿ Jeśli zamierzasz przerwać pracę, przechowuj urządzenie w bezpiecznym miejscu. Odłącz je od gniazdka sieciowego! Jeśli przerwiesz pracę, aby przesunąć się w inne miejsce, przemieszczaj się z wyłączonym wertykulatorem. Przesuń dźwignię regulującą zużycie na pozycję przeznaczoną do transportu.
- ✿ Jeśli podczas spulchniania natrafisz na przeszkodę, wyłącz wertykulator elektryczny i usuń przeszkodę. Sprawdź, czy wertykulator nie jest uszkodzony i w razie potrzeby oddaj go do naprawy.

Bezpieczeństwo elektryczne

- ✿ Trzymaj przedłużacz z dala od cylindra wertykulatora!
- ✿ Nigdy nie korzystaj z wertykulatora podczas deszczu.
- ✿ Przestrzegaj lokalnej pory ciszy.
- ✿ Należy regularnie sprawdzać, czy przedłużacz nie jest uszkodzony i czy nie wykazuje cech zużycia.
- ✿ Jeśli przedłużacz jest uszkodzony, natychmiast odłącz go od sieci.
- ✿ Gniazdko przedłużacza musi być wodoodporne, aby chronić przewody przed pryskającą wodą lub gniazdka łączące przedłużacza muszą być wykonane z gumy czy też posiadać gumową osłonę.
- ✿ Przedłużacze muszą spełniać wymogi DIN VDE 0620.
- ✿ Korzystaj wyłącznie z przedłużacza o dostatecznym przekroju przewodów. Zasięgnij rady u swojego elektryka.
- ✿ Wraz z przedłużaczami należy używać wyposażenia do ich podłączania.
- ✿ Wraz z przenośnymi urządzeniami wykorzystywanymi na zewnątrz zalecamy używać wyłączników różnicowoprądowych o wartości prądu resztkowego 30 mA. W Szwajcarii korzystanie z wyłączników różnicowoprądowych jest obowiązkowe.

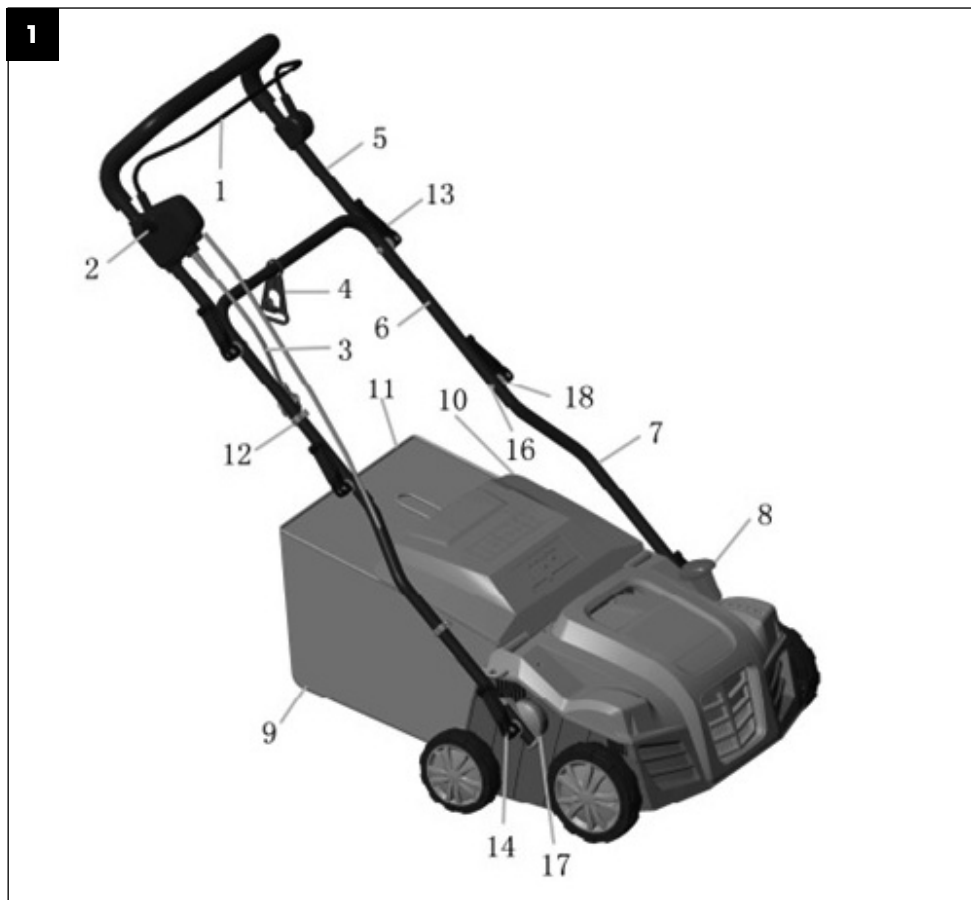
4. CEL UŻYCIA

Przeznaczenie

- ✿ Wertykulator elektryczny FZV 4005 E jest przeznaczony do spulchniania trawników i powierzchni trawnikowych w prywatnych małych i większych ogrodach. Nie jest on przeznaczony do użytku w miejscach publicznych, na boiskach sportowych, w parkach, ośrodkach sportowych, na drogach, w gospodarstwach rolnych lub leśnych.

⚠ UWAGA! Aby nie doszło do obrażeń, nie wolno używać wertykulatora do przycinania krzewów i żywopłotów. Ponadto nie powinien on być używany do niwelowania nierówności gruntu.

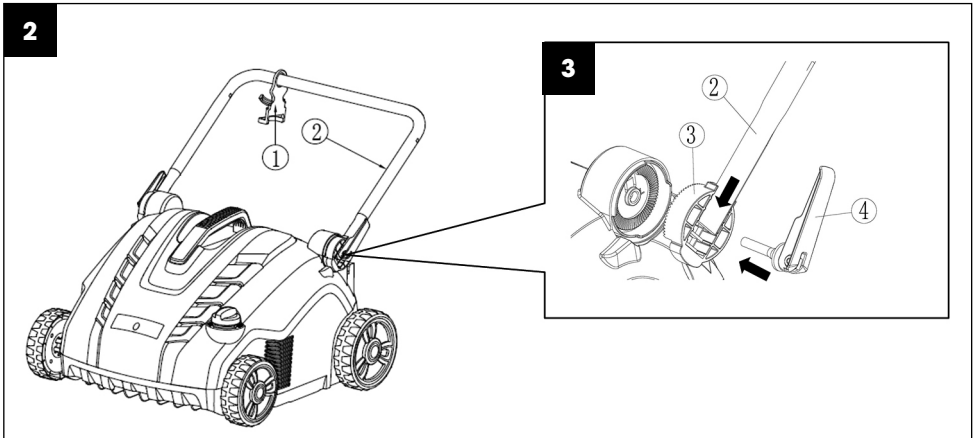
5. OPIS MASZYNY (RYS. 1)



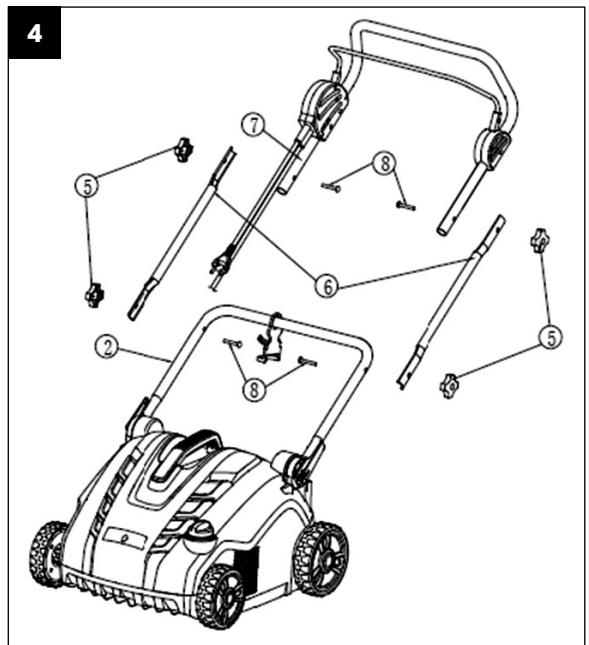
- ① Włacznik główny
- ② Bezpiecznik wyłącznika głównego
- ③ Kabel sieciowy
- ④ Hak zabezpieczający kabel
- ⑤ Górna część uchwyty
- ⑥ Środkowa część uchwyty
- ⑦ Dolna część uchwyty
- ⑧ Regulator ustawień głębokości pracy
- ⑨ Kosz

- ⑩ Pokrywa kosza
- ⑪ Rama kosza
- ⑫ Klamra kabla
- ⑬ & ⑭ Rękojeść zaciskowa
- ⑮ Śruba uchwyty
- ⑯ Regulacja wysokości uchwyty
- ⑰ Podkładka śruby uchwyty

6. MONTAŻ MASZYNY

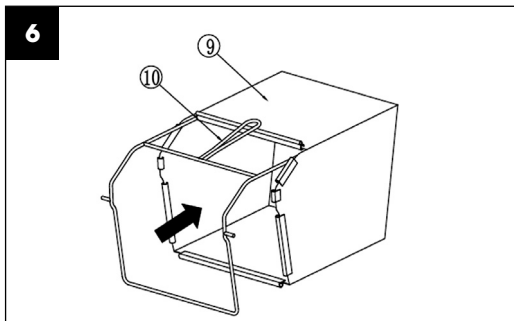


1. Nasuń hak zabezpieczający kabel ① na spodnią część uchwyty ② (rys. 2).
2. Wsuń spodnią część uchwyty ② do jednostki obrotowej ③. Następnie przykręć dźwignię szybkołączca ④ do korpusu wertykulatora (rys. 3).
3. Wsuń dwie śruby zabezpieczające ⑧ do wewnątrz przez otwór w spodnim uchwycie ② i przymocuj je do środkowego uchwyty ⑥ za pomocą dwu nakrętek skrzydełkowych ⑤ (rys. 4).
4. Wsuń dwie śruby zabezpieczające ⑧ do wewnątrz przez otwór w górnym uchwycie ⑦ i przymocuj je do środkowego uchwyty ⑥ za pomocą dwu nakrętek skrzydełkowych ⑤ (rys. 4).



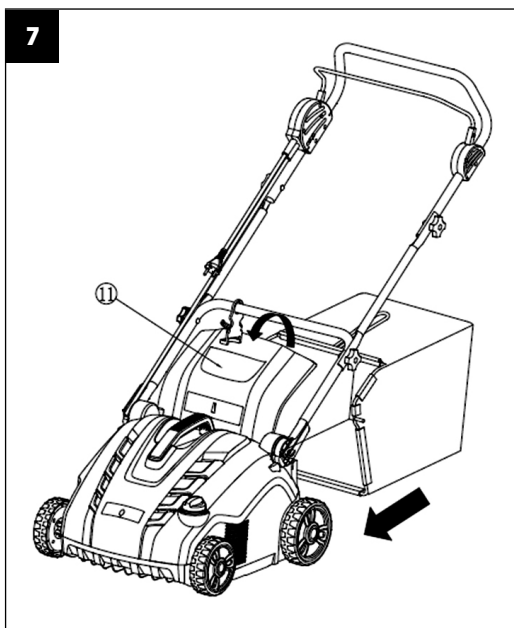
5. Włóż metalową ramę ⑩ do tekstylnego kosza zbiorczego ⑨ i przymocuj wszystkie zatrzaski do lewego, prawego i tylnego drążka ramy.

Upewnij się, czy wszystkie zatrzaski są należycie przymocowane (rys. 6).



6. Montaż całkowicie złożonego kosza zbiorczego do wertykulatora (rys. 7).

- Podnieś pokrywę ochronną ⑪.
- Upewnij się, że wyrzut jest czysty i pozbawiony zanieczyszczeń.
- Umieść kompletnie zmontowany kosz zbiorczy w punktach mocowania w tylnej części obudowy tak, jak zostało to pokazane na rysunku.
- Umieść na górze kosza zbiorczego pokrywę ochronną ⑪. Sprawdź, czy kosz zbiorczy jest prawidłowo osadzony.



UWAGA: Aby korzystać z urządzenia bez zbierania skoszonej trawy, używaj wertykulator bez kosza zbiorczego, ale z pokrywą ochronną ⑪ w pozycji dolnej.

7. WYMIANA NOŻY

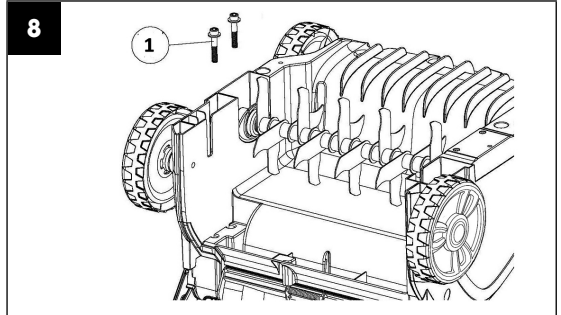
⚠ NIEBEZPIECZEŃSTWO!

Cylindry mogą spowodować obrażenia!

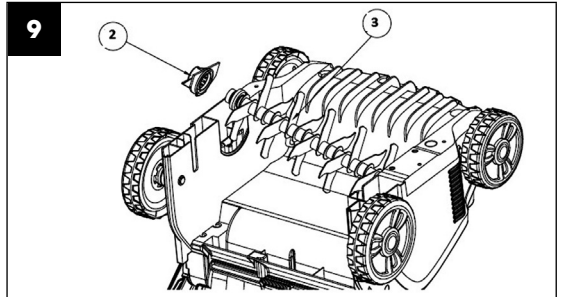
Przed wymianą odłącz urządzenie od sieci elektrycznej i poczekaj, aż cylinder przestanie się obracać.

Podczas wymiany używaj rękawic roboczych.

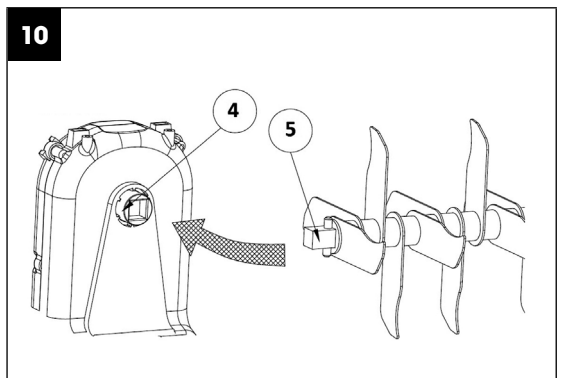
1. Odkręć śruby ① znajdujące się pod spodem obudowy (rys. 8).



2. Podnieś pochylony cylinder ③ i wyciągnij go (rys. 9).
3. Zdejmij pokrywkę łożyska ② z wału cylindera (rys. 9).
4. Nasuń pokrywkę łożyska ② na drugi cylinder.



5. Nasuń drugi cylinder na wał napędowy tak, aby czop ⑤ został dopasowany do odpowiedniej części w wale napędowym ④ (rys. 10).
6. Przykręć nakrętkę łożyska ② do spodniej części obudowy nie dokręcając zbyt mocno.



8. USTAWIENIA WERTYKULATORA

⚠ UWAGA!

Głębokość pracy cylindra wertykulatora powinna wynosić maks. 3 mm. Cylinder wertykulatora ze sprężynami powinien podczas pracy kopiować powierzchnię ziemi. Ustawienie zbyt dużej głębokości pracy w sytuacji, gdy noże/sprężyny nie są w sposób widoczny zużyte, może spowodować uszkodzenie cylindra wertykulatora lub nadmierne obciążenie i zniszczenie silnika. **Może również dojść do uszkodzenia trawnika.**

Regulacja po zużyciu

W celu zachowania zalecanej głębokości pracy skorzystaj z regulatora ustawień głębokości pracy (rys. 1 pkt 8).

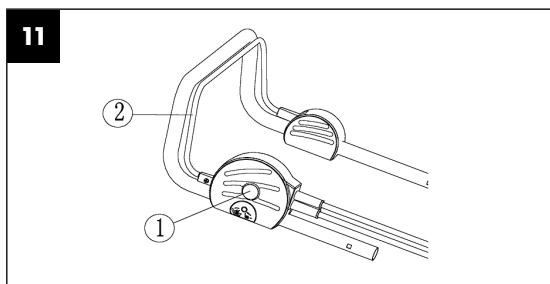
📖 **UWAGA:** Noże i sprężyny wertykulatora ulegają zużyciu podczas eksploatacji w zależności od sposobu, w jaki pracujesz. Im intensywniej używasz wertykulatora, tym większe jest zużycie noży czy sprężyn. Twarda lub bardzo sucha gleba przyspiesza proces zużycia, podobnie jak nadmierna eksploatacja. Jeśli w wyniku zużycia noży wyniki Twojej pracy z aeratorem pogorszą się, wówczas można ustawić cylinder wertykulatora tak, aby można było przestrzegać głębokości pracy podanej powyżej.

9. URUCHOMIENIE (RYS. 11)

Przed ponownym uruchomieniem przekonaj się, czy nóż przestał się obracać. Nie włączaj urządzenia zaraz po jego wyłączeniu.

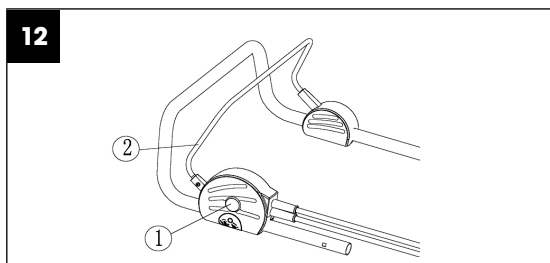
Włączanie

1. Wciśnij i przytrzymaj przycisk bezpieczeństwa ①. Przyciągnij dźwignię uruchamiającą ② do uchwytu.
2. Zwolnij przycisk zabezpieczający.



Wyłączanie

Zwolnij dźwignię uruchamiającą ②.



10. KONSERWACJA

Czyszczenie wertykulatora

- ⚠ **UWAGA!** Niebezpieczeństwo! Cylinder wertykulatora może spowodować obrażenia!
- ⚠ **UWAGA!** Przed konserwacją odłącz urządzenie od sieci i poczekaj, aż wertykulator się zatrzyma.
- ⚠ **UWAGA!** Podczas wykonywania konserwacji noś rękawice robocze.
- ✿ Wertykulator należy czyścić po każdym użyciu.
- ⚠ **UWAGA!** Niebezpieczeństwo obrażeń i szkód majątkowych!
- ⚠ **UWAGA!** Wertykulatora nie należy czyścić pod bieżącą wodą (w szczególności pod wysokim ciśnieniem).
- ⚠ **UWAGA!** Do czyszczenia nie należy używać twardych ani szpiczastych przedmiotów.
- ✿ Usuń trawę i zabrudzenia z kół, cylindra i pokrywy wertykulatora.

11. WERTYKULACJA / SPULCHNIANIE

- ✿ Aby zapewnić komfortową pracę z wertykulatorem najlepiej rozpocząć ją w miejscu znajdującym się najbliżej źródła zasilania i kontynuować w kierunku przeciwnym do źródła zasilania.
- ✿ Trawnik należy wertykulować / spulchniać prostopadle do źródła zasilania i umieścić kabel zasilający po tej stronie, która została już opracowana.
- ⚠ **UWAGA!** Nie pozwól, by silnik był nadmiernie obciążany podczas pracy, zwłaszcza w trudnych warunkach. Jeśli silnik jest nadmiernie obciążony, dojdzie do obniżenia jego obrotów, co poznasz po zmianie dźwięku towarzyszącego pracy silnika. Jeśli do tego dojdzie, przestań pracować, zwolnij dźwignię włączającą i zmniejsz głębokość wertykulacji / spulchniania. Jeśli tego nie zrobisz, może dojść do uszkodzenia urządzenia.
- 📖 **UWAGA:** Silnik jest chroniony za pomocą zabezpieczenia, które uruchamia się w momencie, kiedy dochodzi do zatarcia ostrzy lub nadmiernego obciążenia silnika. Jeśli do tego dojdzie, wyłącz urządzenie i wyciągnij wtyczkę ze źródła zasilania. Do resetowania zabezpieczenia dochodzi wyłącznie w przypadku zwolnienia dźwigni włączającej. Usuń wszystkie przeszkody i poczekaj kilka minut do momentu zresetowania zabezpieczenia. Następnie możesz kontynuować pracę. W tym momencie nie manipuluj dźwignią włączającą, ponieważ przedłuża to czas resetowania zabezpieczenia. Jeśli dojdzie do ponownego wyłączenia urządzenia, zwiększ głębokość wertykulacji / spulchniania, przez co dojdzie do obniżenia obciążenia silnika.

12. DANE TECHNICZNE

Wertykulator elektryczny	FZV 4010-E
Moc znamionowa	1800 W
Szerokość pracy	40 cm
Głębokość pracy	+6 do -12 mm
Pojemność kosza	55 l
Ciężar	12,8 kg
Klasa ochrony	IPX4
Obroty robocze cylindra	3 000 obr./min
Poziom ciśnienia akustycznego	$L_{pa} = 85,56 \text{ dB(A)}$ $K=3 \text{ dB(A)}$
Gwarantowany poziom mocy akustycznej	$L_{wa} = 104 \text{ dB(A)}$
Wibracje	$5,508 \text{ m/s}^2$ $K=1,5 \text{ m/s}^2$

13. LIKWIDACJA

WSKAZÓWKI I INFORMACJE DOTYCZĄCE GOSPODARKI ZUŻYTYM OPAKOWANIEM

Zużyty materiał z opakowania należy przekazać na gminne wysypisko odpadów.



Maszyna i jej wyposażenie są wyprodukowane z różnych materiałów, np. z metalu i plastiku. Uszkodzone części należy oddać do punktu selektywnej zbiórki. Szczegółowych informacji udziela odpowiedni urząd.



Ten produkt spełnia wszelkie podstawowe wymagania dyrektyw UE, które go dotyczą.

Zastrzegamy sobie możliwość dokonywania zmian tekstu, designu i danych technicznych wyrobu bez uprzedzenia.

Instrukcja użycia w języku oryginalnym.

DEKLARACJA ZGODNOŚCI

Producent:

FAST ČR, a. s.

Černokostelecká 2111, 100 00 Praha 10, Republika Czeska

DIČ (NIP) : CZ26726548

Produkt/marka: ELEKTRYCZNY AERATOR I WERTYKULATOR TRAWNIKÓW /
FIELDMANN

Typ/model: FZV 4010 E
230–240 V zmienny, 50 Hz, 1800 W, IPX4

Produkt spełnia wymagania poniższych dyrektyw i przepisów:

Dyrektywa Rady w sprawie maszyn 2006/42/WE

Dyrektywa WE odnosząca się do kompatybilności elektromagnetycznej (EMC) nr
2014/30/UE

Dyrektywa parlamentu europejskiego w sprawie ograniczenia stosowania niektórych nie-
bezpiecznych substancji w sprzęcie elektrycznym i elektronicznym 2011/65/EU

i norm:

EN 60335-1:2012+A11

EN 50636-2-92:2014

EN 62233:2008

EN 55014-1:2006+A1:2009+A2:2011

EN 55014-2:2015

EN 61000-3-11:2000

EN 61000-3-2:2014

Miejsce wydania: Praga

Imię i nazwisko: Ing. Zdeněk Pech
Prezes zarządu

Data wydania: 1. 5. 2018

Podpis:

FAST[®] FAST ČR, a. s. 
Černokostelecká 1621, 251 01 Říčany
IČO: 26726548 tel.: +420/ 323 204 111
DIČ: CZ26726548 fax: +420/ 323 204 110





FIELDMANN®

Home & Garden Performance

Model /Modell /Modelis:

**Záruční list / Záručný list /
Warranty Certificate / Jótállási jegy /
Garantijos taisyklės / Karta Gwarancyjna**

Výrobní číslo
Výrobné číslo
Serial No.
Szériaszám
Serijos Nr.
Numer seryjny

Razítko a podpis prodejce
Pečiatka a podpis predajcu
Dealer's stamp
A kereskedő bélyegzője
Pardavėjo antspaudas
Pieczęćka i podpis sklepu

Datum prodeje
Dátum predaja
Date of purchase
A vásárlás dátuma
Pardavimo data
Data zakupu

Záruční podmínky

Prodávající poskytuje kupujícímu na výrobek záruku v trvání 24 měsíců od převzetí výrobku kupujícím. Záruka se poskytuje za dále uvedených podmínek. Záruka se vztahuje pouze na nové spotřební zboží prodané spotřebiteli pro běžné domácí použití. Práva z odpovědnosti za vady (reklamaci) může kupující uplatnit buď u prodávajícího, u kterého byl výrobek zakoupen nebo v níže uvedeném autorizovaném servisu. Kupující je povinen reklamaci uplatnit bez zbytečného odkladu, aby nedošlo ke zhoršení vady, nejpozději však do konce záruční doby. Kupující je povinen poskytnout při reklamaci součinnost nutnou pro ověření existence reklamované vady. Do reklamačního řízení se přijímá pouze kompletní a z důvodů dodržení hygienických předpisů neznečištěný výrobek. V případě oprávněné reklamace se záruční doba prodlužuje o dobu od okamžiku uplatnění reklamace do okamžiku převzetí opraveného výrobku kupujícím nebo okamžiku, kdy je kupující po skončení opravy povinen výrobek převzít. Kupující je povinen prokázat svá práva reklamovat (doklad o zakoupení výrobku, záruční list, doklad o uvedení výrobku do provozu...).

Záruka se nevztahuje zejména na:

■ vady, na které byla poskytnuta sleva ■ opotřebení a poškození vzniklé běžným užíváním výrobku ■ poškození výrobku v důsledku neodborné či nesprávné instalace, použití výrobku v rozporu s návodem k instalaci, platnými právními předpisy a obecně známými a obvyklými způsoby používání, v důsledku použití výrobku k jinému účelu, než ke kterému je určen ■ poškození výrobku v důsledku zanedbané nebo nesprávné údržby ■ poškození výrobku způsobené jeho znečištěním, nehodou a zásahem vyšší moci (živelná událost, požár, vniknutí vody...) ■ vady funkčnosti výrobku způsobené nevhodnou kvalitou signálů, rušivým elektromagnetickým polem apod. ■ mechanické poškození výrobku (např. ulomení knoflíku, pád...) ■ poškození způsobené použitím nevhodných médií, náplní, spotřebního materiálu (baterie) nebo nevhodnými provozními podmínkami (např. vysoké okolní teploty, vysoká vlhkost prostředí, otřesy...) ■ poškození, úpravu nebo jiný zásah do výrobku provedený neoprávněnou nebo neautorizovanou osobou (servisem) ■ případy, kdy kupující při reklamaci neprokáže oprávněnost svých práv (kdy a kde reklamovaný výrobek zakoupil) ■ případy, kdy se údaje v předložených dokladech liší od údajů uvedených na výrobku ■ případy, kdy reklamovaný výrobek nelze ztotožnit s výrobkem uvedeným v dokladech, kterými kupující prokazuje svá práva reklamovat (např. poškození výrobního čísla nebo záruční plombu přístroje, prepisované údaje v dokladech...)

Záručné podmienky

Predávajúci poskytuje kupujúcemu na výrobok 24 mesiacov záruku od jeho prevzatia kupujúcim. Záruka sa poskytuje ďalej za nižšie uvedených podmienok. Záruka sa vztahuje iba na spotrebný tovar predaný spotrebiteľovi na bežné domáce použitie. Práva zo zodpovednosti za chyby (reklamácie) môže kupujúci uplatniť buď u predávajúceho, u ktorého bol výrobok zakúpený alebo v nižšie uvedenom autorizovanom servise. Kupujúci je povinný reklamáciu uplatniť bez zbytočného odkladu, aby nedošlo ku zhoršeniu chyby, najneskôr však do konca záručnej doby. Kupujúci je povinný pri reklamacii spolupracovať pri overení existencie reklamovanej chyby. Do reklamačného procesu sa prijíma iba kompletný a z dôvodu dodržania hygienických predpisov neznečištený výrobok. V prípade oprávnenej reklamácie sa záručná doba predlžuje o dobu od okamžiku uplatnenia reklamácie do okamžiku prevzatia opraveného výrobku kupujúcim, kedy je kupujúci po skončení opravy povinný výrobok prevziať. Kupujúci je povinný preukázať svoje práva reklamovať (doklad o zakúpení výrobku, záručný list, doklad o uvedení výrobku do prevádzky...).

Záruka sa nevztahuje na:

■ chyby, na ktoré boli poskytnuté zľavy ■ opotrebenia a poškodenia vzniknuté bežným užívaním výrobku ■ poškodenie výrobku v dôsledku neodborných či nesprávnych inštalácií, použitie výrobku v rozpore s návodom na použitie s platnými právnymi predpismi a všeobecne známymi a obvyklými spôsobmi používania, v dôsledku použitia výrobku za iným účelom, než na ktorý je určený ■ poškodenie výrobku v dôsledku zanedbanej alebo nesprávnej údržby ■ poškodenie výrobku spôsobené jeho znečistením, nehodou a zásahom vyššej moci (živelná udalosť, požiar, vniknutie vody...) ■ chyby funkčnosti výrobku spôsobené nevhodnou kvalitou signálů, rušivým elektromagnetickým polom a pod. ■ mechanické poškodenie výrobku (napr. zlomenie gombíka, pád...) ■ poškodenie spôsobené použitím nevhodných médií, náplní, spotrebného materiálu (batérie) alebo nevhodnými prevádzkovými podmienkami (napr. vysoké teploty v okolí, vysoká vlhkosť prostredia, otrasy...) ■ poškodenie, úpravu alebo iný zásah do výrobku spôsobený neoprávnenou alebo neautorizovanou osobou (servisom) prípady, keď kupujúci pri reklamacii nepreukáže oprávnenosť svojich práv (kedy a kde reklamovaný výrobok zakúpil) ■ prípady, keď sa údaje v predložených dokladoch líšia od údajov uvedených na výrobku ■ prípady, keď reklamovaný výrobok sa neshoduje s výrobkom uvedeným v dokladoch, ktorými kupujúci preukazuje svoje práva reklamovať (napr. poškodenie výrobného čísla alebo záručnej plombu prístroja, prepisované údaje v dokladoch...)

Conditions of guarantee

This product is warranted for the period of 24 months from the date of purchase to the end-user. Warranty is limited to the following conditions. Warranty is referred only to the customer goods using for common domestic use. The claim for service can be applied either at dealer's shop where the product was bought, or at below mentioned authorized service shops. The end-user is obligated to set up a claim immediately when the defects appeared but only till the end of warranty period. The end-user is obligated to cooperate to certify the claiming defects. Only completed and clean (according to hygienic standards) product will be accepted. In case of eligible warranty claim the warranty period will be prolonged by the period from the date of claim application till the date of taking over the product by end-user, or the date the end-user is obligated to take it over. To obtain the service under this warranty, end-user is obligated to certify his claim with duly completed following documents: receipt, certificate of warranty, certificate of installation...

This warranty is void especially if apply as follows: ■ Defects which were put on sale. ■ Wear-out or damage caused by common use. ■ The product was damaged by unprofessional or wrong installation, used in contrary to the applicable instruction manual, used in contrary to legal enactment and common process of use or used for another purpose which has been designed for. ■ The product was damaged by uncarred-for or insufficient maintenance. ■ The product was damaged by dirt, accident of force majeure (natural disaster, fire, flood, ...). ■ Defects on functionality caused by low quality of signal, electromagnetic field interference etc. ■ The product was mechanically damaged (e.g. broken button, fall...). ■ Damage caused by use of unsuitable media, fillings, expendable supplies (batteries) or by unsuitable working conditions (e.g. high temperatures, high humidity, quakes, ...). ■ Repair, modification or other failure action to the product by unauthorized person. ■ End-user did not prove enough his right to claim (time and place of purchase). ■ Data on presented documents differs from data on products. ■ Cases when the claiming product can not be identified according to the presented documents (e.g. the serial number or the warranty seal has been damaged).

Autorizovaná servisní střediska / Autorizované servisné strediská / Authorized service centres

FAST ČR, a. s.
Černokostelecká 1621
CZ 251 01 Říčany
Česká republika
Tel.: +420/ 323 204 120
Fax: +420/ 323 204 121
servis.praha@fastcr.cz
www.fastcr.cz

FAST ČR, a. s.
Cejl 31
CZ 602 00 Brno
Česká republika
Tel.: +420/ 531 010 295
Fax: +420/ 531 010 296
servis.brno@fastcr.cz
www.fastcr.cz

Fast Plus, spol. s r. o.
Na Pántoch 18
SK 831 06 Bratislava
Slovenská republika
Tel.: +421/ 249 105 811
Fax: +421/ 249 105 810
fastplus@fastplus.sk
www.fastplus.sk

Jótállási jegy

A termék gyártója: **FAST ČR, a.s.** (Černokostelec-ká1621, Říčany u Prahy 251 01, Csehország)

A **FAST Hungary Kft.** (2310, Szigetszentmiklós, Kántor u. 10) mint a termék magyarországi importőre jótállási jegyen feltüntetett típusú és gyártási számú készülékre jótállást biztosít a fogyasztók számára az alábbi feltételek szerint:

A FAST Hungary Kft. a termékre a fogyasztó részére történő átadástól (vásárlástól), illetve ha az üzembe helyezését a terméket értékesítő vállalkozás vagy annak megbízottja végzi, az üzembe helyezéstől számított **24 hónapig** tartó időtartamra vállal jótállást. A termék **alkotórészeire és tartozékaira** (pl. akkumulátor) a jótállási idő a termék átadásától számított **12 hónap**.

A jótállási igény a jótállási jeggyel, a vásárlástól (üzembe helyezéstől) számított 1 évig a terméket értékesítő vállalkozásnál, illetve a jótállási jegyen feltüntetett hivatalos szerviznél közvetlenül is, míg a 13. hónaptól a 24. hónapig kizárólag a hivatalos szerviznél érvényesíthető.

Jótállási jegy hiányában a fogyasztói szerződés megkötését bizonyítottan kell tekinteni, ha a fogyasztó bemutatja a termék ellenértékének megfizetését hitelt érdemlően igazoló bizonylatot. Mindezek érdekében kérjük tisztelt Vásárlóinkat, hogy őrizzék meg a fizetési bizonylatot is. A jótállási időn belüli meghibásodás esetén a fogyasztó - választása szerint - (i) a hibás termék díjmentes kijavítását vagy kicserélését követelheti, kivéve, ha a választott igény teljesítése lehetetlen, vagy ha az a jótállásra kötelezettnek a fogyasztó által érvényesíteni kívánt másik igény teljesítésével összehasonlítva aránytalan többletköltséget eredményezne, vagy (ii) ha a kötelezett a kijavítást, illetve kicserélést nem vállalata, vagy e kötelezettségének megfelelő határidőn belül, a fogyasztó érdekeit kímélve nem tud eleget tenni, vagy ha a fogyasztónak a kijavításhoz vagy kicseréléshez fűződő érdeke megszűnt, akkor a fogyasztó megfelelő árleszállított igényelhet, vagy a hibát a kötelezett költségére maga kijavíthatja vagy mással kijavíttathatja vagy elállhat a szerződéstől. Jelenkértelen hiba miatt elállásnak nincs helye. A fogyasztó a választott jogáról másikkra térhet át. Az áttéréssel okozott költséget köteles a jótállásra kötelezettnek megfizetni, kivéve, ha az áttérésre a jótállásra kötelezett adott okot, vagy az áttérés egyébként indokolt volt. A fogyasztó a hiba felfedezését követően késedelem nélkül, legkésőbb a felfedezéstől számított 2 hónapon belül köteles a hibát közölni. A bejelentés kapcsán kérjük vegye figyelembe, hogy a jótállási igény kizárólag a jótállási

határidőben érvényesíthető! Ugyanakkor, ha a jótállásra kötelezett jótállási kötelezettségének megfelelő határidőben nem tesz eleget, a jótállási igény a fogyasztó erre irányuló felhívásában tüzött megfelelő határidő elteltétől számított 3 hónapon belül akkor is érvényesíthető bíróság előtt, ha a jótállási idő már eltelt. E határidő elmulasztása jogvesztéssel jár. A jótállási kötelezettség teljesítésével kapcsolatosan felmerülő költségek a jótállás kötelezettjét terhelik.

A 151/2003. (IX.22.) Kormányrendeletben meghatározott tartós fogyasztási cikk meghibásodása miatt a vásárlástól (üzembe helyezéstől) számított három munkanapon belül érvényesített csereigény esetén a terméket értékesítő vállalkozás nem hivatkozhat aránytalan többletköltségre, hanem köteles a tartós fogyasztási cikket kicserélni, feltéve, hogy a meghibásodás a rendeltetészerű használatot akadályozza. Kijavítás esetén a fogyasztási cikkbe csak új alkatrész kerülhet beépítésre. A jótállásra kötelezett törekszik arra, hogy a kijavítás vagy kicserélés 15 napon belül megtörténjen. A rögzített bekötésű, illetve a 10kg-nál súlyosabb, vagy tömegközlekedési eszközön kézi csomagként nem szállítható fogyasztási cikket az üzemeltetés helyén kell megjavítani. Ha a javítás az üzemeltetés helyén nem végezhető el, a le- és felszerelésről, valamint az el- és visszaszállításról a jótállás kötelezettje, vagy – a javítószolgálatnál közvetlenül érvényesített kijavítási igény esetén – a javítószolgálat gondoskodik.

Nem számít bele a jótállási időbe a kijavítási időnek az a része, amely alatt a fogyasztó a terméket nem tudja rendeltetészerűen használni. A jótállási idő a terméknek a kicseréléssel vagy kijavítással érintett részére, valamint a kijavítás következményeként jelentkező hiba tekintetében újból kezdődik.

Nem tartozik jótállás alá a hiba és a jótállásra kötelezett mentesül a jótállási kötelezettség alól, ha bizonyítja, hogy a hiba oka a termék fogyasztó részére való átadását követően keletkezett, így például ha a hibát ■ nem rendeltetészerű használat, használati útmutató figyelmen kívül hagyása, helytelen szállítás vagy tárolás, leejtés, rongálás, elemi kár, készüléken kívülálló ok (pl. hálózati feszültség megengedettnél nagyobb ingadozása) ■ illetéktelen átalakítás, beavatkozás, nem hivatalos szerviz által végzett szakszerűtlen javítás ■ fogyasztó feladatát képező karbantartási munkák elmulasztása ■ normál, természetes elhasználódásra visszavezethető (pl. elem lemerülése) vagy üzemzerű kopásnak tulajdonítható meghibásodás okozta. A jótállás a fogyasztó jogszabályból eredő jogait, így különösen a Polgári Törvénykönyv szerinti kellekszavatossági illetve termékszavatossági jogait nem érinti.

Tájékoztatjuk, hogy az értékesítő vállalkozással felmerülő, fogyasztóvédelmi törvényben meghatározott fogyasztói jogvita bíróságon kívüli rendezése érdekében Ön a megyei (fővárosi) kereskedelmi és iparkamarák mellett működő békéltető testület eljárását is kezdeményezheti.

Hivatalos szervíz / Autoryzowana sieć serwisowa

revision 06/2017

Fast Hungary Kft.
2310, Szigetszentmiklós
Kántor u. 10
Hungary
Tel.: + 36/ 23 330 830
Fax: + 36/ 23 330 8274
fasthungary@fasthungary.hu
www.fasthungary.hu

Garantijos taisyklės

Šiam gaminii suteikiama 24 mėnesių nuo įsigijimo datos garantija. Garantija apsiriboja žemiau pateikiamomis sąlygomis. Garantija skirta tik gaminiams, skirtiems buitiniam naudojimui. Dėl garantinio remonto pirkėjas gali kreiptis į pardavėjo parduotuvę, kurioje gaminį pirkė, arba į nurodytus galiojusias technines priežiūros centrus. Galutinis naudotojas įsipareigoja pateikti pretenziją nedelsiant po defekto atsiradimo, tačiau tik iki garantijos galiojimo periodo pabaigos. Galutinis naudotojas įsipareigoja bendradarbiauti patvirtinant gaminio defektus, dėl kurių pateikia pretenziją. Priimtas bus tik pilnai sukomplektuotas ir švarus (pagal higienos standartus) gaminys. Jei pretenzija dėl garantinio remonto bus pagrįsta, gaminio garantijos galiojimo periodas bus prailgintas atitinkamai periodu nuo pretenzijos pateikimo datos iki galutinis naudotojas pasiims tą patį gaminį arba iki datos, kada galutinis naudotojas turėtų pasiimti sutaisytą gaminį. Norėdamas gauti garantinio remonto paslaugas, galutinis naudotojas turi patvirtinti pretenziją pilnai užpildytais skėnčiais dokumentais: pirkimo kvitu, garantiniu talonu, instaliavimo sertifikatu. . .

Garantija netaikoma: ■ Nukainotoms (brokuotoms) prekėms. ■ Įprastinais susidėvinčioms gaminio dalims ■ Gedimams, atsiradusiems neprofesionaliai ar neteisingai gaminį instaliavus, nesilaikant gaminio naudojimo instrukcijų, naudojant gaminį ne pagal įstatymų numatytus standartus ar įprastinius tokio tipo gaminii naudojimo procesus, naudojant gaminį kitaip paskirti nei numatyta. ■ Gedimams, atsiradusiems dėl netinkamos ar nepakankamos gaminio priežiūros. ■ Gedimams, atsiradusiems dėl purvo, nenugalimos jėgos aplinkybių (stichinių nelaimių, gaisro, potvynio, . . .) ■ Gedimams, atsiradusiems dėl prastos kokybės signalo, elektromagnetinio lauko trikdžių ir kt. ■ Rodus mechaninių pažeidimų (pvz. sulaužyti mygtukai, kritimo požymiai. . .) ■ Gedimams, atsiradusiems naudojant gaminį su netinkamomis sąlygomis (pvz. aukštos temperatūros, didelės drėgmės, žemės drebėjimų. . .) ■ Nustačius, kad gaminys taisytas, modifikuotas ar ardytas neįgaliotų tai daryti asmenų. ■ Jei galutinis naudotojas neturi visų reikalingų dokumentų, įrodančių jo teisę į garantinį remontą (pvz. dokumento, kur būtų nurodytas gaminio įsigijimo laikas ir vieta). ■ Jei data pateiktuose dokumentuose skiriasi nuo datos ant gaminio.

Warunki gwarancji

Produkt objęty jest 24 – miesięczną gwarancją, począwszy od daty zakupu przez klienta. Gwarancja jest ograniczona tylko do przedstawionych dalej warunków. Gwarancja obejmuje tylko produkty zakupione w Polsce i jest ważna tylko na terytorium Rzeczpospolitej Polskiej. Gwarancja obejmuje tylko produkty funkcjonujące w warunkach gospodarstwa domowego (nie dotyczy produktów oznaczonych jako „Professional“). Zgłoszenia gwarancyjne można dokonać w autoryzowanej sieci serwisowej lub w sklepie, gdzie produkt został nabyty. Użytkownik jest zobowiązany zgłosić usterkę niezwłocznie po jej wykryciu, a najpóźniej w ostatnim dniu obowiązywania okresu gwarancyjnego. Użytkownik jest zobowiązany do przedstawienia i udokumentowania usterki. Tylko kompletne i czyste produkty (zgodnie ze standardami higienicznymi) będą przyjmowane do naprawy. Usterki będą usuwane przez autoryzowany punkt serwisowy w możliwie krótkim terminie, nieprzekraczającym 14 dni roboczych. Okres gwarancji przedłuża się o czas pobytu sprzętu w serwisie. Klient może ubiegać się o wymianę sprzętu na wolny od wad, jeżeli punkt serwisowy stwierdzi na piśmie, że usunięcie wady jest niemożliwe. Aby produkt mógł być przyjęty przez serwis, użytkownik jest zobowiązany dostarczyć oryginały: dowodu zakupu (paragon lub faktura), podbitej i wypełnionej karty gwarancyjnej, certyfikatu instalacji (niektóre produkty).

Gwarancja zostaje unieważniona, jeśli:

■ usterka była widoczna w chwili zakupu, ■ usterka wynika ze zwykłego użytkowania i zużycia, ■ produkt został uszkodzony z powodu złej instalacji, niezastosowania się do instrukcji obsługi lub użytkownika niezgodnego z przeznaczeniem, ■ produkt został uszkodzony z powodu złej konserwacji lub jej braku, ■ produkt został uszkodzony z powodu zanieczyszczenia, wypadku lub okoliczności o charakterze sił wyższych (powódź, pożar, wojny, zamieszki itp.) ■ produkt wykazuje złe działanie z powodu słabego sygnału, zakłóceń elektromagnetycznych itp., ■ produkt został uszkodzony mechanicznie (np. wylamany przycisk, upadek, itp.), ■ produkt został uszkodzony z powodu użycia niewłaściwych materiałów eksploatacyjnych, nośników, akcesoriów, baterii, akumulatorów itp. lub z powodu użytkowania w złych warunkach (temperatura, wilgotność, wstrząsy itp.), ■ produkt był naprawiany lub modyfikowany przez nieautoryzowany personel, ■ użytkownik nie jest w stanie udowodnić zakupu (nieczytelny paragon lub faktura), ■ dane na przedstawionych dokumentach są inne niż na urzędzeniu, ■ produkt nie może być zidentyfikowany ze względu na uszkodzenie numeru seryjnego lub plomby gwarancyjnej.

Uab „Senuku Prekybos
Centras“ Garantinis Servisas
Jonavos G. 62, Lt-44192,
Kaunas, Lithuania
Tel.: +370 37 212 146
Tex.: +370 37 212 165
garrem@senukai.lt
www.senukai.lt

Fast Poland, Sp. z o.o.
Sokołowska 10
PL 05-090 Puchały
Poland
Tel.: +48 500 116 777
Fax: +48 22 869 96 13
fastpoland@fastpoland.pl
www.fastpoland.pl

