

Instructions for use

WASHING MACHINE

GB

English,1

CZ

Česky,13

BG

Български,25

HU

Magyar,37

RO

Română,49

FR

Français,61

IWUD 41051

Contents

Installation, 2-3

Unpacking and levelling
Connecting the electricity and water supplies
The first wash cycle
Technical data

Care and maintenance, 4

Cutting off the water or electricity supply
Cleaning the washing machine
Cleaning the detergent dispenser drawer
Caring for the door and drum of your appliance
Cleaning the pump
Checking the water inlet hose

Precautions and tips, 5

General safety
Disposal

Description of the washing machine and starting a wash cycle, 6-7

Control panel
Indicator lights
Starting a wash cycle

Wash cycles, 8

Table of wash cycles

Personalisation, 9

Setting the temperature
Setting the spin speed
Functions

Detergents and laundry, 10

Detergent dispenser drawer
Preparing the laundry
Garments requiring special care
Load balancing system

Troubleshooting, 11

Service, 12

GB

Installation

GB

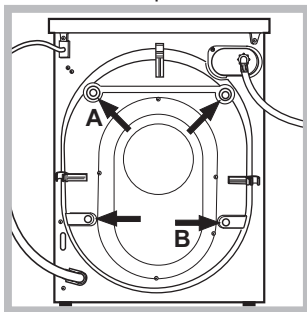
! This instruction manual should be kept in a safe place for future reference. If the washing machine is sold, transferred or moved, make sure that the instruction manual remains with the machine so that the new owner is able to familiarise himself/herself with its operation and features.

! Read these instructions carefully: they contain vital information relating to the safe installation and operation of the appliance.

Unpacking and levelling

Unpacking

1. Remove the washing machine from its packaging.
2. Make sure that the washing machine has not been damaged during the transportation process. If it has been damaged, contact the retailer and do not proceed any further with the installation process.



3. Remove the 4 protective screws (used during transportation) and the rubber washer with the corresponding spacer, located on the rear part of the appliance (see figure).
4. Close off the holes using the plastic plugs provided.

5. Keep all the parts in a safe place: you will need them again if the washing machine needs to be moved to another location.

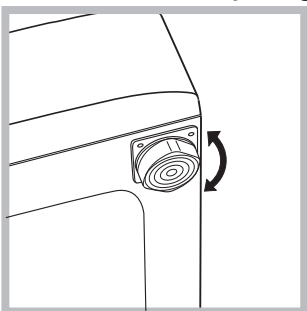
! Packaging materials should not be used as toys for children.

! Every time the machine needs to be tilted or moved, the screws, the rubber washer and the spacer should be re-fitted at points **A** and **B**, in order to ensure the internal components remain intact.

Remember to remove these elements afterwards.

Levelling

1. Install the washing machine on a flat sturdy floor, without resting it up against walls, furniture cabinets or anything else.

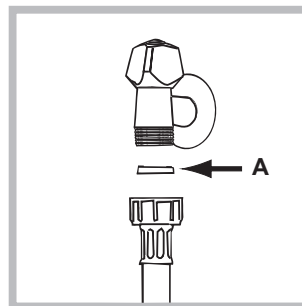


2. If the floor is not perfectly level, compensate for any unevenness by tightening or loosening the adjustable front feet (see figure); the angle of inclination, measured in relation to the worktop, must not exceed 2°.

Levelling the machine correctly will provide it with stability, help to avoid vibrations and excessive noise and prevent it from shifting while it is operating. If it is placed on carpet or a rug, adjust the feet in such a way as to allow a sufficient ventilation space underneath the washing machine.

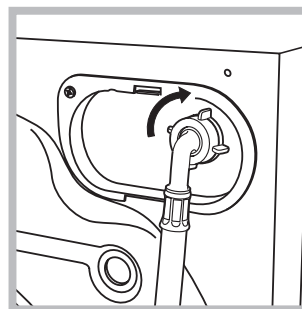
Connecting the electricity and water supplies

Connecting the water inlet hose



1. Insert seal A into the end of the inlet hose and screw the latter onto a cold water tap with a 3/4 gas threaded mouth (see figure).

Before making the connection, allow the water to run freely until it is perfectly clear.



2. Connect the inlet hose to the washing machine by screwing it onto the corresponding water inlet of the appliance, which is situated on the top right-hand side of the rear part of the appliance (see figure).

3. Make sure that the hose is not folded over or bent.

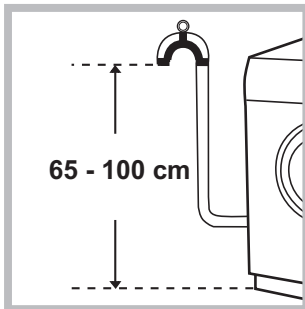
! The water pressure at the tap must fall within the values indicated in the Technical details table (see next page).

! If the inlet hose is not long enough, contact a specialised shop or an authorised technician.

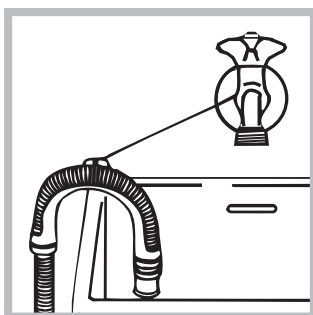
! Never use second-hand hoses.

! Use the ones supplied with the machine.

Connecting the drain hose



Connect the drain hose, without bending it, to a drainage duct or a wall drain located at a height between 65 and 100 cm from the floor;



alternatively, rest it on the side of a washbasin or bathtub, fastening the duct supplied to the tap (see figure). The free end of the hose should not be underwater.

! We advise against the use of hose extensions; if it is absolutely necessary, the extension must have the same diameter as the original hose and must not exceed 150 cm in length.

Electrical connections

Before plugging the appliance into the electricity socket, make sure that:

- the socket is earthed and complies with all applicable laws;
- the socket is able to withstand the maximum power load of the appliance as indicated in the Technical data table (see opposite);
- the power supply voltage falls within the values indicated in the Technical data table (see opposite);
- the socket is compatible with the plug of the washing machine. If this is not the case, replace the socket or the plug.

! The washing machine must not be installed outdoors, even in covered areas. It is extremely dangerous to leave the appliance exposed to rain, storms and other weather conditions.

! When the washing machine has been installed, the electricity socket must be within easy reach.

! Do not use extension cords or multiple sockets.


! The cable should not be bent or compressed.

! The power supply cable must only be replaced by authorised technicians.

Warning! The company shall not be held responsible in the event that these regulations are not respected.

The first wash cycle

Once the appliance has been installed, and before you use it for the first time, run a wash cycle with detergent and no laundry, using the wash cycle 2.

Technical data	
Model	IWUD 41051
Dimensions	width 59,5 cm height 85 cm depth 33 cm
Capacity	from 1 to 4 kg
Electrical connections	please refer to the technical data plate fixed to the machine
Water connection	maximum pressure 1 MPa (10 bar) minimum pressure 0.05 MPa (0.5 bar) drum capacity 27 litres
Spin speed	up to 1000 rotations per minute
Test wash cycles in accordance with directives 1061/2010 and 1015/2010	Programme 2: Cotton standard 60°C; Programme 3: Cotton standard 40°C.
	This appliance conforms to the following EC Directives: - 2004/108/CE (Electromagnetic Compatibility) - 2012/19/EU - 2006/95/EC Low Voltage)

Care and maintenance

GB

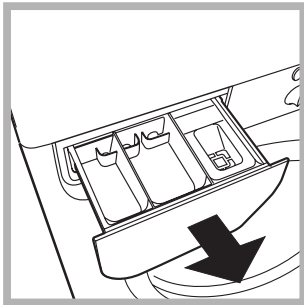
Cutting off the water and electricity supplies

- Turn off the water tap after every wash cycle. This will limit wear on the hydraulic system inside the washing machine and help to prevent leaks.
- Unplug the washing machine when cleaning it and during all maintenance work.

Cleaning the washing machine

The outer parts and rubber components of the appliance can be cleaned using a soft cloth soaked in lukewarm soapy water. Do not use solvents or abrasives.

Cleaning the detergent dispenser drawer



Remove the dispenser by raising it and pulling it out (see figure). Wash it under running water; this operation should be repeated frequently.

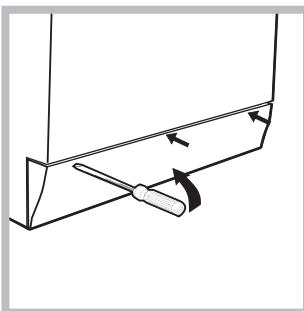
Caring for the door and drum of your appliance

- Always leave the porthole door ajar in order to prevent unpleasant odours from forming.

Cleaning the pump

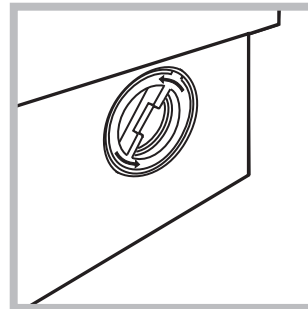
The washing machine is fitted with a self-cleaning pump which does not require any maintenance. Sometimes, small items (such as coins or buttons) may fall into the pre-chamber which protects the pump, situated in its bottom part.

! Make sure the wash cycle has finished and unplug the appliance.



To access the pre-chamber:

1. using a screwdriver, remove the cover panel on the lower front part of the washing machine (see figure);



2. unscrew the lid by rotating it anti-clockwise (see figure): a little water may trickle out. This is perfectly normal;

3. clean the inside thoroughly;
4. screw the lid back on;
5. reposition the panel, making sure the hooks are securely in place before you push it onto the appliance.

Checking the water inlet hose

Check the inlet hose at least once a year. If there are any cracks, it should be replaced immediately: during the wash cycles, water pressure is very strong and a cracked hose could easily split open.

! Never use second-hand hoses.

! This washing machine was designed and constructed in accordance with international safety regulations. The following information is provided for safety reasons and must therefore be read carefully.

Consumers should contact their local authority or retailer for information concerning the correct disposal of their old appliance.

GB

General safety

- This appliance was designed for domestic use only.
- This appliance can be used by children aged from 8 years and above and persons with reduced physical, sensory or mental capabilities or lack of experience and knowledge if they have been given supervision or instruction concerning use of the appliance in a safe way and understand the hazards involved. Children shall not play with the appliance. Cleaning and user maintenance shall not be made by children without supervision.
- Do not touch the machine when barefoot or with wet or damp hands or feet.
- Do not pull on the power supply cable when unplugging the appliance from the electricity socket. Hold the plug and pull.
- Do not open the detergent dispenser drawer while the machine is in operation.
- Do not touch the drained water as it may reach extremely high temperatures.
- Never force the porthole door. This could damage the safety lock mechanism designed to prevent accidental opening.
- If the appliance breaks down, do not under any circumstances access the internal mechanisms in an attempt to repair it yourself.
- Always keep children well away from the appliance while it is operating.
- The door can become quite hot during the wash cycle.
- If the appliance has to be moved, work in a group of two or three people and handle it with the utmost care. Never try to do this alone, because the appliance is very heavy.
- Before loading laundry into the washing machine, make sure the drum is empty.

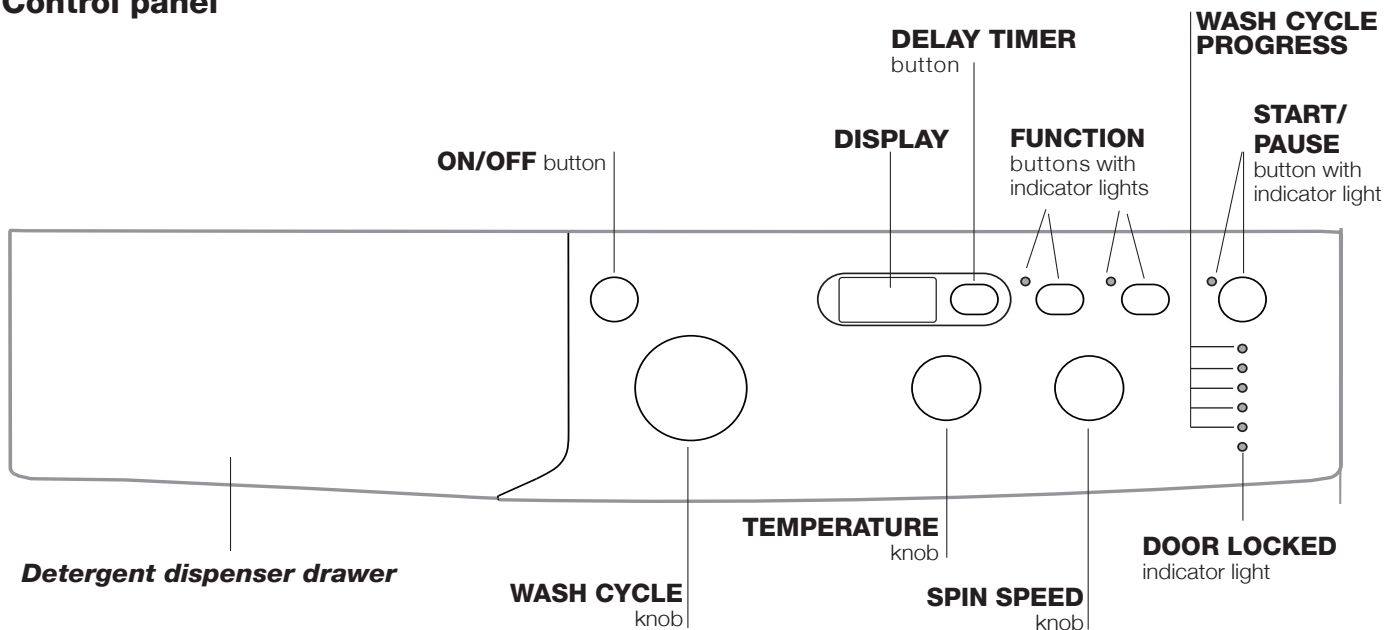
Disposal

- Disposing of the packaging materials: observe local regulations so that the packaging may be re-used.
- The European Directive 2012/19/EU on Waste Electrical and Electronic Equipment, requires that old household electrical appliances must not be disposed of in the normal unsorted municipal waste stream. Old appliances must be collected separately in order to optimise the recovery and recycling of the materials they contain and reduce the impact on human health and the environment. The crossed out “wheeled bin” symbol on the product reminds you of your obligation, that when you dispose of the appliance it must be separately collected.

Description of the washing machine and starting a wash cycle

GB

Control panel



Detergent dispenser drawer: used to dispense detergents and washing additives (see “Detergents and laundry”).

ON/OFF button: switches the washing machine on and off.

WASH CYCLE knob: programmes the wash cycles. During the wash cycle, the knob does not move.

FUNCTION buttons with indicator light: used to select the available functions. The indicator light corresponding to the selected function will remain lit.

TEMPERATURE knob: sets the temperature or the cold wash cycle (see “Personalisation”).

SPIN SPEED knob: sets the spin speed or exclude the spin cycle completely (see “Personalisation”).


DISPLAY: used to view the duration of the various cycles available and the remaining time of a cycle in progress; if the DELAY TIMER option has been selected, the countdown to the start of the selected cycle will appear.

DELAY TMER button : press to set a delayed start time for the selected wash cycle. The delay time will be shown on the display.

WASH CYCLE PROGRESS indicator lights: used to monitor the progress of the wash cycle. The illuminated indicator light shows which phase is in progress.

DOOR LOCKED indicator light: indicates whether the door may be opened or not (see next page).

START/PAUSE button with indicator light: starts or temporarily interrupts the wash cycles.

N.B. To pause the wash cycle in progress, press this button; the corresponding indicator light will flash orange, while the indicator light for the current wash cycle phase will remain lit in a fixed manner. If the DOOR LOCKED  indicator light is switched off, the door may be opened. To start the wash cycle from the point at which it was interrupted, press this button again.

Standby mode






This washing machine, in compliance with new energy saving regulations, is fitted with an automatic standby system which is enabled after about 30 minutes if no activity is detected. Press the ON-OFF button briefly and wait for the machine to start up again.

Indicator lights

The indicator lights provide important information. This is what they can tell you:

Wash cycle phase indicator lights

Once the desired wash cycle has been selected and has begun, the indicator lights switch on one by one to indicate which phase of the cycle is currently in progress.

Wash	
Rinse	
Spin	
Drain	
End of wash cycle	

Function buttons and corresponding indicator lights

When a function is selected, the corresponding indicator light will illuminate.

If the selected function is not compatible with the programmed wash cycle, the corresponding indicator light will flash and the function will not be activated.

If the selected function is not compatible with another function which has been selected previously, the indicator light corresponding to the first function selected will flash and only the second function will be activated; the indicator light corresponding to the enabled option will remain lit.


Door locked indicator light

When the indicator light is on, the porthole door is locked to prevent it from being opened; make sure the indicator light is off before opening the door (wait approximately 3 minutes). To open the door during a running wash cycle, press the START/PAUSE button; the door may be opened once the DOOR LOCKED indicator light turns off.

Starting a wash cycle



1. Switch the washing machine on by pressing the ON/OFF button. All indicator lights will switch on for a few seconds, then they will switch off and the START/PAUSE indicator light will pulse.
2. Load the laundry and close the door.
3. Set the WASH CYCLE knob to the desired programme.
4. Set the washing temperature (see "Personalisation").
5. Set the spin speed (see "Personalisation").
6. Measure out the detergent and washing additives (see "Detergents and laundry").
7. Select the desired functions.
8. Start the wash cycle by pressing the START/PAUSE button and the corresponding indicator light will remain lit in a fixed manner, in green.

To cancel the set wash cycle, pause the machine by pressing the START/PAUSE button and select a new cycle.

9. At the end of the wash cycle the **END** indicator light will switch on. The door can be opened once the DOOR LOCK  indicator light turns off. Take out your laundry and leave the appliance door ajar to make sure the drum dries completely. Switch the washing machine off by pressing the ON/OFF button.

Wash cycles

Table of wash cycles

Wash cycles	Description of the wash cycle	Max. temp. (°C)	Max. speed (rpm)	Detergents			Max. load (kg)	Residual dampness %	Energy consumption kWh	Total water lt	Cycle duration
				Pre-wash	Wash	Fabric softener					
Daily											
1	Cotton with prewash: extremely soiled whites.	90°	1000	●	●	●	4	62	1,46	44	140'
2	Cotton Standard 60° (1): heavily soiled whites and resistant colours.	60° (Max. 90°)	1000	-	●	●	4	62	0,77	30,6	145'
3	Cotton Standard 40° (2): lightly soiled whites and delicate colours.	40°	1000	-	●	●	4	62	0,66	44	140'
4	Synthetics: heavily soiled resistant colours.	60°	800	-	●	●	2	42	0,67	26	95'
4	Synthetics (3): lightly soiled resistant colours.	40°	800	-	●	●	2	42	0,42	27	85'
5	Mix Colored: lightly soiled whites and delicate colours.	40°	1000	-	●	●	4	62	0,65	32	85'
20° Zone											
6	Cotton Standard 20°: lightly soiled whites and delicate colours.	20°	1000	-	●	●	4	-	-	-	160'
7	Mix Light	20°	800	-	●	●	4	-	-	-	105'
8	20' Refresh	20°	800	-	●	●	1,5	-	-	-	20'
Special											
9	Silk/Curtains: for garments in silk and viscose, lingerie.	30°	0	-	●	●	1	-	-	-	50'
10	Wool: for wool, cashmere, etc.	40°	800	-	●	●	1	-	-	-	55'
11	Jeans	40°	800	-	●	●	1,5	-	-	-	70'
Sport											
12	Sport Intensive	30°	600	-	●	●	1,5	-	-	-	80'
13	Sport Light	30°	600	-	●	●	1,5	-	-	-	55'
14	Sport Shoes	30°	600	-	●	●	Max. 2 Pairs	-	-	-	50'
Partial wash cycles											
	Rinse	-	1000	-	-	●	4	-	-	-	36'
	Spin + Drain	-	1000	-	-	-	4	-	-	-	16'

The length of cycle shown on the display or in this booklet is an estimation only and is calculated assuming standard working conditions. The actual duration can vary according to factors such as water temperature and pressure, the amount of detergent used, the amount and type of load inserted, load balancing and any wash options selected.

1) Test wash cycle in compliance with directive 1061/2010: set wash cycle 2 with a temperature of 60°C.

This cycle is designed for cotton loads with a normal soil level and is the most efficient in terms of both electricity and water consumption; it should be used for garments which can be washed at 60°C. The actual washing temperature may differ from the indicated value.

2) Test wash cycle in compliance with directive 1061/2010: set wash cycle 3 with a temperature of 40°C.

This cycle is designed for cotton loads with a normal soil level and is the most efficient in terms of both electricity and water consumption; it should be used for garments which can be washed at 40°C. The actual washing temperature may differ from the indicated value.

For all Test Institutes:

2) Long wash cycle for cottons: set wash cycle 3 with a temperature of 40°C.

3) Synthetic program along: set wash cycle 4 with a temperature of 40°C.

Sport Intensive (wash cycle 12) is for washing heavily soiled sports clothing fabrics (tracksuits, shorts, etc.); for best results, we recommend not exceeding the maximum load indicated in the "Table of wash cycles".

Sport Light (wash cycle 13) is for washing lightly soiled sports clothing fabrics (tracksuits, shorts, etc.); for best results, we recommend not exceeding the maximum load indicated in the "Table of wash cycles". We recommend using a liquid detergent and dosage suitable for a half-load.

Sport Shoes (wash cycle 14) is for washing sports shoes; for best results, do not wash more than 2 pairs simultaneously.

The 20° wash cycles (20° Zone) offer effective washing performance at low temperatures, reducing electricity usage and expenditure while benefitting the environment. The 20° wash cycles meet all requirements:

Cotton Standard 20° (programme 6) ideal for lightly soiled cotton loads. The effective performance levels achieved at cold temperatures, which are comparable to washing at 40°, are guaranteed by a mechanical action which operates at varying speed, with repeated and frequent peaks.

Mix Light (programme 7) ideal for mixed loads (cotton and synthetics) with a normal soil level. The effective performance levels achieved at cold temperatures are guaranteed by a mechanical action which operates at varying speed, across set average intervals.

20' Refresh (programme 8) ideal for refreshing and washing lightly soiled garments in a few minutes. It lasts just 20 minutes and therefore saves both time and energy. It can be used to wash different types of fabrics together (except for wool and silk), with a maximum load of 1.5 kg.

Setting the temperature

Turn the TEMPERATURE knob to set the wash temperature (see *Table of wash cycles*).

The temperature may be lowered, or even set to a cold wash .

The washing machine will automatically prevent you from selecting a temperature which is higher than the maximum value set for each wash cycle.

! Exception: if the **2** programme is selected, the temperature can be increased up to a value of 90°C.

Setting the spin speed

Turn the SPIN SPEED knob to set the spin speed for the selected wash cycle.

The maximum spin speeds available for each wash cycle are as follows:

Wash cycles	Maximum spin speed
Cottons	1000 rpm
Synthetics	800 rpm
Wool	800 rpm
Silk	drain only

The spin speed may be lowered, or the spin cycle can be excluded altogether by selecting the symbol .

The washing machine will automatically prevent you from selecting a spin speed which is higher than the maximum speed set for each wash cycle.

Functions

The various wash functions available with this washing machine will help to achieve the desired results, every time.


To activate the functions:

1. Press the button corresponding to the desired function;
2. the function is enabled when the corresponding indicator light is illuminated.

Note:

- If the selected function is not compatible with the programmed wash cycle, the corresponding indicator light will flash and the function will not be activated.
- If the selected function is not compatible with another function which has been selected previously, the indicator light corresponding to the first function selected will flash and only the second function will be activated; the indicator light corresponding to the enabled option will remain lit.


Delay timer

To set a delayed start for the selected programme, press the corresponding button repeatedly until the required delay period has been reached. When this option is enabled, the  symbol lights up on the display. To remove the delayed start option press the button until the text "OFF" appears on the display.

EcoTime

Selecting this option enables you to suitably adjust drum rotation, temperature and water to a reduced load of lightly soiled cotton and synthetic fabrics (refer to the "*Table of wash cycles*"). "EcoTime" enables you to wash in less time thereby saving water and electricity. We suggest using a liquid detergent suitably measured out to the load quantity.

Energy Saver

The  Energy Saver function saves energy by not heating the water used to wash your laundry - an advantage both to the environment and to your energy bill. Instead, intensified wash action and water optimisation ensure great wash results in the same average time of a standard cycle.

For the best washing results we recommend the usage of a liquid detergent.

Detergents and laundry

GB

Detergent dispenser drawer

Good washing results also depend on the correct dose of detergent: adding too much detergent will not necessarily result in a more efficient wash, and may in fact cause build up on the inside of your appliance and contribute to environmental pollution.

! Do not use hand washing detergents because these create too much foam.

! Use powder detergent for white cotton garments, for pre-washing, and for washing at temperatures over 60°C.

! Follow the instructions given on the detergent packaging.



Open the detergent dispenser drawer and pour in the detergent or washing additive, as follows.

compartment 1: Compartment 1: Pre-wash detergent (powder)

compartment 2: Detergent for the wash cycle (powder or liquid)

Liquid detergent should only be poured in immediately prior to the start of the wash cycle.

compartment 3: Additives (fabric softeners, etc.)

The fabric softener should not overflow the grid.

Preparing the laundry

- Divide the laundry according to:
 - the type of fabric/the symbol on the label
 - the colours: separate coloured garments from whites.
- Empty all garment pockets and check the buttons.
- Do not exceed the values listed in the "Table of wash cycles", which refer to the weight of the laundry when dry.


How much does your laundry weigh?

- 1 sheet 400-500 g
- 1 pillow case 150-200 g
- 1 tablecloth 400-500 g
- 1 bathrobe 900-1200 g
- 1 towel 150-250 g

Garments requiring special care

Silk: use special wash cycle **9** to wash all silk garments. We recommend the use of special detergent which has been designed to wash delicate clothes.

Curtains: fold curtains and place them in a pillow case or mesh bag. Use wash cycle **9**.

Wool: all wool garments can be washed using programme **10**, even those carrying the "hand-wash only"  label. For best results, use special detergents and do not exceed 1 kg of laundry.

Jeans: Turn garments inside-out before washing and use a liquid detergent. Use programme **11**.

Load balancing system

Before every spin cycle, to avoid excessive vibrations and to distribute the load in a uniform manner, the drum rotates continuously at a speed which is slightly greater than the washing rotation speed. If, after several attempts, the load is not balanced correctly, the machine spins at a reduced spin speed. If the load is excessively unbalanced, the washing machine performs the distribution process instead of spinning. To encourage improved load distribution and balance, we recommend small and large garments are mixed in the load.

Your washing machine could fail to work. Before contacting the Technical Assistance Centre (see “Assistance”), make sure that the problem cannot be solved easily using the following list.

Problem:

Possible causes / Solutions:

The washing machine does not switch on.

- The appliance is not plugged into the socket fully, or is not making contact.
- There is no power in the house.

The wash cycle does not start.

- The washing machine door is not closed properly.
- The ON/OFF button has not been pressed.
- The START/PAUSE button has not been pressed.
- The water tap has not been opened.
- A delayed start has been set (see “Personalisation”).

The washing machine does not take in water (“H2O” will flash on the display).

- The water inlet hose is not connected to the tap.
- The hose is bent.
- The water tap has not been opened.
- There is no water supply in the house.
- The pressure is too low.
- The START/PAUSE button has not been pressed.

The washing machine continuously takes in and drains water.

- The drain hose is not fitted at a height between 65 and 100 cm from the floor (see “Installation”).
- The free end of the hose is under water (see “Installation”).
- The wall drainage system is not fitted with a breather pipe.

If the problem persists even after these checks, turn off the water tap, switch the appliance off and contact the Assistance Service. If the dwelling is on one of the upper floors of a building, there may be problems relating to water drainage, causing the washing machine to fill with water and drain continuously. Special anti-draining valves are available in shops and help to avoid this inconvenience.

The washing machine does not drain or spin.

- The wash cycle does not include draining: some wash cycles require the drain phase to be started manually.
- The drain hose is bent (see “Installation”).
- The drainage duct is clogged.

The washing machine vibrates a lot during the spin cycle.

- The drum was not unlocked correctly during installation (see “Installation”).
- The washing machine is not level (see “Installation”).
- The washing machine is trapped between cabinets and walls (see “Installation”).

The washing machine leaks.

- The water inlet hose is not screwed on properly (see “Installation”).
- The detergent dispenser drawer is blocked (for cleaning instructions, see “Care and maintenance”).
- The drain hose is not fixed properly (see “Installation”).

The “function” indicator lights and the “start/pause” indicator light flash, while one of the “phase in progress” indicator lights and the “door locked” indicator light will remain lit in a fixed manner.

- Switch off the machine and unplug it, wait for approximately 1 minute and then switch it back on again.
If the problem persists, contact the Technical Assistance Service.

There is too much foam.

- The detergent is not suitable for machine washing (it should display the text “for washing machines” or “hand and machine wash”, or the like).
- Too much detergent was used.

Service

GB

Before calling for Assistance:

- Check whether you can solve the problem alone (see "Troubleshooting");
- Restart the programme to check whether the problem has been solved;
- If this is not the case, contact an authorised Technical Assistance Centre using the telephone number provided on the guarantee certificate.

! Always request the assistance of authorised technicians.

Have the following information to hand:

- the type of problem;
- the appliance model (Mod.);
- the serial number (S/N).

This information can be found on the data plate applied to the rear of the washing machine, and can also be found on the front of the appliance by opening the door.

COMMISSION DELEGATED REGULATION (EU) No 1061/2010

Brand	INDESIT
Model	IWUD 41051 C ECO EU
Rated capacity in kg of cotton	4.0
Energy efficiency class on a scale from A+++ (low consumption) to G (high consumption)	A+
Energy consumption per year in kWh ¹⁾	140.0
Energy consumption of the standard 60 °C cotton programme at full load in kWh ²⁾	0.77
Energy consumption of the standard 60 °C cotton programme at partial load in kWh ²⁾	0.502
Energy consumption of the standard 40 °C cotton programme at partial load in kWh ²⁾	0.431
Power consumption of the off-mode in W	0.5
Power consumption of the left-on mode in W	8.0
Water consumption per year in litres ³⁾	5286
Spin-drying efficacy class on a scale from G (minimum efficacy) to A (maximum efficacy)	C
Maximum spin speed attained ⁴⁾	1000
Remaining moisture content ⁵⁾	62%
Programme time of the "standard 60 °C cotton" at full load in minutes	145
Programme time of the "standard 60 °C cotton" at partial load in minutes	115
Programme time of the "standard 40°C cotton" at partial load in minutes	110
Duration of the left-on mode in minutes	30
Noise in dB(A) re 1 pW washing ⁶⁾	59
Noise in dB(A) re 1 pW spinning ⁶⁾	79

¹⁾ The "standard 60°C cotton" at full and partial load and the "standard 40°C cotton" at partial load are the standard washing programmes to which the information in the label and the fiche relates. Standard 60°C cotton and standard 40°C cotton are suitable to clean normally soiled cotton laundry and are the most efficient programmes in terms of combined energy and water consumption. Partial load is half the rated load.

²⁾ Based on 220 standard washing cycles for cotton programmes at 60°C and 40°C at full and partial load, and the consumption of the low-power modes. Actual energy consumption will depend on how the appliance is used.

³⁾ Based on 220 standard washing cycles for cotton programmes at 60°C and 40°C at full and partial load. Actual water consumption will depend on how the appliance is used.

⁴⁾ For the standard 60 °C at full and partial load or the 40°C at partial whichever is lower.

⁵⁾ Attained for 60 °C cotton at full and partial load or the 40°C at partial whichever is higher.

⁶⁾ Based on washing and spinning phases for the standard 60°C cotton programme at full load.

CZ

Česky

IWUD 41051

Obsah

Instalace, 14-15

Rozbalení a vyrovnání do vodorovné polohy
Připojení k elektrické a k vodovodní síti
První prací cyklus
Technické údaje

Údržba a péče, 16

Uzavření přívodu vody a vypnutí elektrického napájení
Čištění pračky
Čištění dávkovače pracích prostředků
Péče o dvířka a buben
Čištění čerpadla
Kontrola přítokové hadice na vodu

Opatření a rady, 17

Základní bezpečnostní pokyny
Likvidace

Popis pračky a zahájení pracího programu, 18-19

Ovládací panel
Kontrolky
Zahájení pracího programu

Prací programy, 20

Tabulka pracích programů

Uživatelská nastavení, 21

Nastavení teploty
Nastavení rychlosti odstředování
Funkce

Prací prostředky a prádlo, 22

Dávkovač pracích prostředků
Příprava prádla
Oděvy vyžadující zvláštní péči
Systém automatického vyvážení náplně

Poruchy a způsob jejich odstranění, 23

Servisní služba, 24

Instalace

CZ

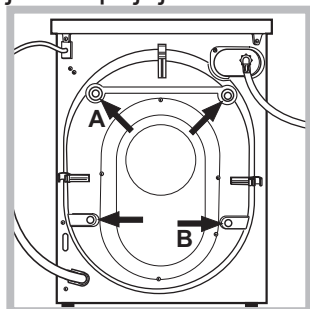
! Je důležité uschovat tento návod tak, abyste jej mohli kdykoli konzultovat. V případě prodeje, darování nebo přestěhování pračky se ujistěte, že zůstane uložen v blízkosti pračky, aby mohl posloužit novému majiteli při seznámení s její činností a s příslušnými upozorněními.

! Pozorně si přečtěte uvedené pokyny: obsahují důležité informace týkající se instalace, použití a bezpečnosti při práci.

Rozbalení a vyrovnaní do vodorovné polohy

Rozbalení

1. Rozbalte pračku.
2. Zkontrolujte, zda během přepravy nedošlo k jejímu poškození. V případě, že je poškozena, ji nezapojte a obraťte se na prodejce.



3. Odstraňte 4 šrouby chránící před poškozením během přepravy a gumovou podložku s příslušnou rozpěrkou, které se nacházejí v zadní části (viz obrázek).

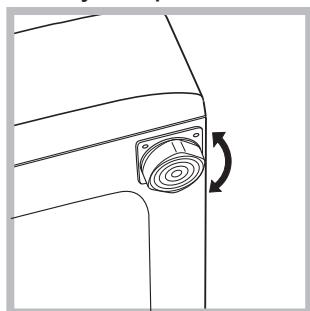
4. Uzavřete otvory po šroubech plastovými krytkami z příslušenství.
5. Uschovejte všechny díly: v případě opětovné přepravy pračky je bude třeba namontovat zpět.

! Pokaždé, když je třeba zařízení nahnout nebo přesunout, je třeba kvůli zajištění neporušenosti vnitřních součástí namontovat zpět šrouby, gumovou podložku a rozpěrku do poloh **A** a **B**. Po provedení potřebných operací je nezapomeňte znovu odmontovat.

! Obaly nejsou hračky pro děti!

Vyrovnaní do vodorovné polohy

1. Pračku je třeba umístit na rovnou a pevnou podlahu, aniž by se opírala o stěnu, nábytek či něco jiného.

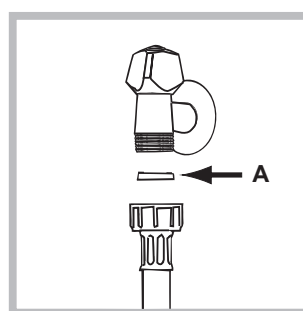


2. V případě, že podlaha není dokonale vodorovná, mohou být případné rozdíly vykompenzovány šroubováním předních nožek (viz obrázek); Úhel sklonu, naměřený na pracovní ploše, nesmí přesáhnout 2°.

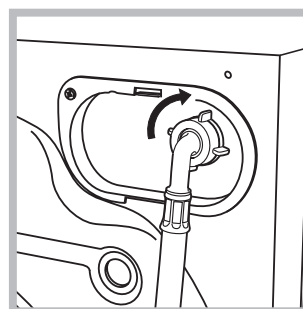
Dokonalé vyrovnaní do vodorovné polohy zabezpečí stabilitu zařízení a zamezí vzniku vibrací a hluku během činnosti. V případě instalace na podlahovou krytinu nebo na koberec nastavte nožky tak, aby pod pračkou zůstal dostatečný volný prostor pro ventilaci.

Připojení k elektrické a k vodovodní síti

Připojení přítokové hadice vody



1. Vložte těsnění **A** do koncové části přítokové hadice a připevněte ji k uzávěru studené vody se závitem 3/4" (viz obrázek). Před připojením hadice nechte vodu odtéci, dokud nebude průzračná.



2. Připojte přítokovou hadici k pračce prostřednictvím příslušné přípojky na vodu, umístěné vpravo nahoře (viz obrázek).

3. Dbejte na to, aby hadice nebyla příliš ohnutá ani stlačená.

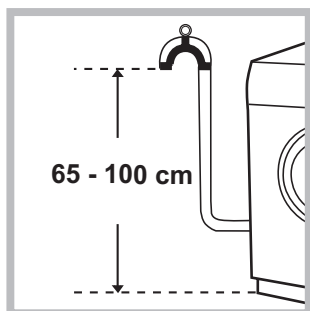
! Tlak v rozvodu vody se musí pohybovat v rozmezí hodnot uvedených v tabulce s technickými údaji (viz vedlejší strana).

! V případě, že délka přítokové hadice nebude dostatečná, obraťte se na specializovanou prodejnu nebo na autorizovaný technický personál.

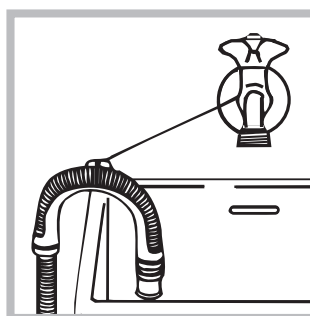
! Nikdy nepoužívejte již použité hadice.

! Používejte hadice z příslušenství zařízení.

Připojení vypouštěcí hadice



Připojte vypouštěcí hadici, aniž byste ji ohýbali, k odpadovému potrubí nebo k odpadu ve stěně, který se nachází od 65 do 100 cm nad zemí;



nebo ji uchyťte k okraji umývadla či vany a připevněte vodící držák z příslušenství ke kohoutu (viz obrázek). Volný konec vypouštěcí hadice nesmí zůstat ponořený do vody.

! Použití prodlužovacích hadic se nedoporučuje; je-li však nezbytné, prodlužovací hadice musí mít stejný průměr jako originální hadice a její délka nesmí přesáhnout 150 cm.

Připojení k elektrické síti

Před zasunutím zástrčky do zásuvky se ujistěte, že:

- Je zásuvka uzemněna a že vyhovuje normám;
- je zásuvka schopna snést maximální zátěž odpovídající jmenovitému příkonu zařízení, uvedenému v tabulce s technickými údaji (viz vedle);
- hodnota napájecího napětí odpovídá údajům uvedeným v tabulce s technickými údaji (viz vedle);
- je zásuvka kompatibilní se zástrčkou pračky. V opačném případě je třeba vyměnit zásuvku nebo zástrčku.

! Pračka nesmí být umístěna venku – pod širým nebem, a to ani v případě, že by se jednalo o místo chráněné před nepřízní počasí, protože je velmi nebezpečné vystavit ji působení deště a bouří.

! Po definitivní instalaci pračky musí zásuvka zůstat snadno přístupná.

! Nepoužívejte prodlužovací kabely a rozvodky.

! Kabel nesmí být ohnutý ani stlačený.

! Výměna kabelu musí být svěřena výhradně autorizovanému technickému personálu.

Upozornění! Výrobce neponese žádnou odpovědnost za následky nerespektování uvedených předpisů.

První prací cyklus

Po instalaci zařízení je třeba ještě předtím, než je použijete na praní prádla, provést jeden zkušební cyklus s pracím prostředkem a bez náplně prádla nastavením pracího programu 2.

Technické údaje	
Model	IWUD 41051
Rozměry	šířka 59,5 cm výška 85 cm hloubka 33 cm
Kapacita	od 1 do 4 kg
Napájení	Viz štítek s technickými údaji, aplikovaný na zařízení.
Připojení k rozvodu vody	maximální tlak 1 MPa (10 bar) minimální tlak 0.05 MPa (0.5 bar) kapacita bubnu 27 litrů
Rychlost odstředování	až do 1000 otáček za minutu
Kontrolní programy podle směrnice 1061/2010 a 1015/2010	program 2; standardní program pro bavlnu pro praní při 60°C. program 3; standardní program pro bavlnu pro praní při 40°C.
	Toto zařízení odpovídá následujícím normám Evropské unie: - 2004/108/CE (Elektromagnetická kompatibilita) - 2006/95/CE (Nízké napětí) - 2012/19/EU

Údržba a péče

CZ

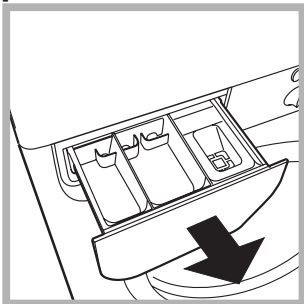
Uzavření přívodu vody a vypnutí elektrického napájení

- Po každém praní uzavřete přívod vody. Tímto způsobem dochází k omezení opotřebení pračky a ke snížení nebezpečí úniku vody.
- Před zahájením čištění pračky a během operací údržby vytáhněte zástrčku napájecího kabelu z elektrické zásuvky.

Čištění pračky

Vnější části a části z gumy se mohou čistit hadrem navlhčeným ve vlažné vodě a saponátu. Nepoužívejte rozpouštědla ani abrazivní látky.

Čištění dávkovače pracích prostředků



Vytáhněte dávkovač jeho nadzvednutím a vytažením směrem ven (viz obrázek). Umyjte jej pod proudem vody; tento druh vyčištění je třeba provádět pravidelně.

Péče o dvířka a buben

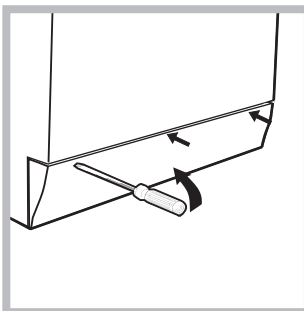
- Dvířka ponechte pokaždé pootevřená, aby se zabránilo tvorbě nepříjemných zápachů.

Čištění čerpadla

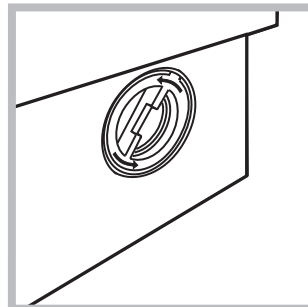
Součástí pračky je samočisticí čerpadlo, které nevyžaduje údržbu. Může se však stát, že se v jeho vstupní části, určené k jeho ochraně a nacházející se v jeho spodní části, zachytí drobné předměty (mince, knoflíky).

! Ujistěte se, že byl prací cyklus ukončen, a vytáhněte zástrčku ze zásuvky.

Přístup ke vstupní části čerpadla:



1. pomocí šroubováku odstraňte krycí panel nacházející se v přední části pračky (viz obrázek);



2. odšroubujte víko jeho otáčením proti směru hodinových ručiček (viz obrázek): vytečení malého množství vody je zcela běžným jevem;

3. dokonale vyčistěte vnitřek;
4. zašroubujte zpět víko;
5. namontujte zpět panel, přičemž se před jeho přisunutím k zařízení ujistěte, že došlo ke správnému zachycení háčků do příslušných podélných otvorů.

Kontrola přítokové hadice na vodu

Stav přítokové hadice je třeba kontrolovat alespoň jednou ročně. Jsou-li na ní viditelné praskliny nebo trhliny, je třeba ji vyměnit: silný tlak působící na hadici během pracího cyklu by mohl způsobit její náhlé roztržení.

! Nikdy nepoužívejte již použité hadice.

! Pračka byla navržena a vyrobena v souladu s platnými mezinárodními bezpečnostními předpisy. Tato upozornění jsou uváděna z bezpečnostních důvodů a je třeba si je pozorně přečíst.

Základní bezpečnostní pokyny

- Toto zařízení bylo navrženo výhradně pro použití v domácnosti.
- Toto zařízení mohou používat děti od 8 let a osoby se sníženými fyzickými, senzorickými nebo duševními schopnostmi nebo osoby s nedostatečnými zkušenostmi a znalostmi, když se nacházejí pod náležitým dohledem nebo když byly náležitě vyškoleny ohledně bezpečného použití zařízení a uvědomují si související nebezpečí. Děti si nesmí hrát se zařízením. Děti nesmí provádět operace údržby a čištění bez dohledu.
- Nedotýkejte se zařízení bosí nebo v případě, že máte mokré ruce či nohy.
- Nevytahujte zástrčku ze zásuvky tahem za kabel, ale uchopením za zástrčku.
- Neotvírejte dávkovač pracích prostředků během činnosti zařízení.
- Nedotýkejte se odčerpávané vody, protože může mít velmi vysokou teplotu.
- Nepokoušejte se o násilné otevření dvířek: mohlo by dojít k poškození bezpečnostního uzávěru, který zabraňuje náhodnému otevření.
- Při výskytu poruchy se v žádném případě nepokoušejte o opravu vnitřních částí zařízení.
- Vždy mějte pod kontrolou děti a zabraňte tomu, aby se přibližovaly k zařízení během pracovního cyklu.
- Během pracovního cyklu mají dvířka tendenci ohřát se.
- V případě potřeby přemístujte pračku ve dvou nebo ve třech a věnujte celé operaci maximální pozornost. Nikdy se nepokoušejte zařízení přemísťovat sami, je totiž velmi těžké.
- Před zahájením vkládání prádla zkontrolujte, zda je buben prázdný.

Likvidace

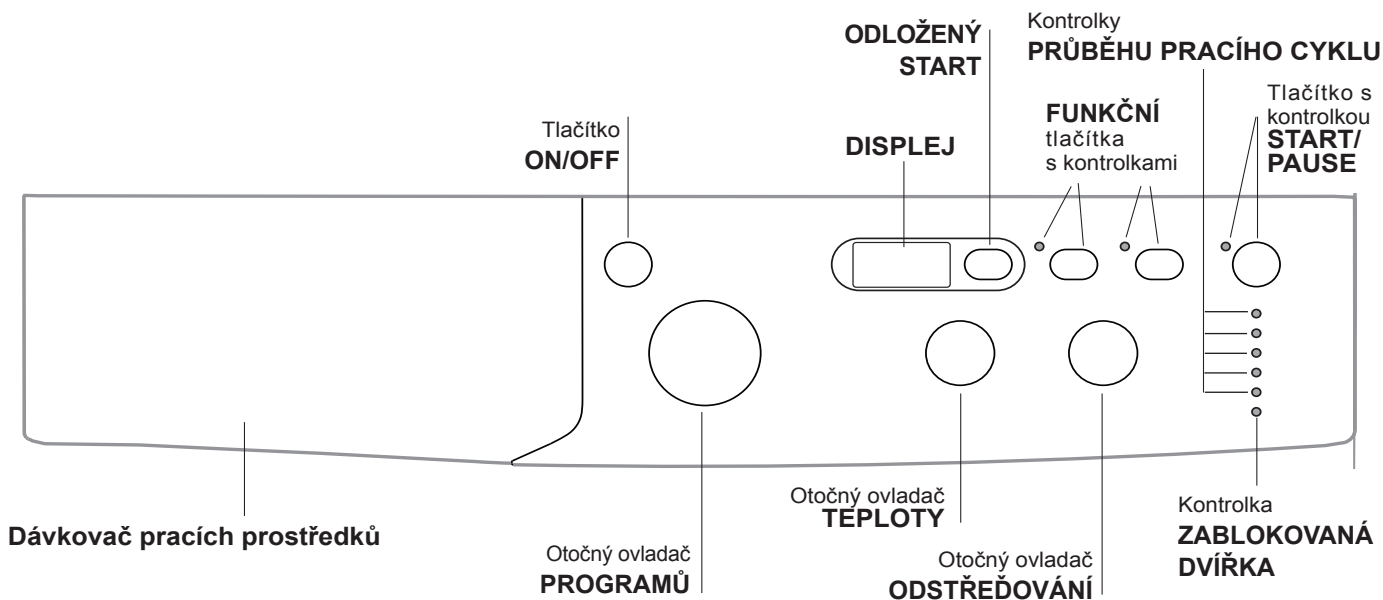
- Likvidace obalových materiálů: při jejich odstranění postupujte v souladu s místními předpisy a dbejte na možnou recyklaci.
- Evropská směrnice 2012/19/EU o odpadních elektrických a elektronických zařízeních stanovuje, že staré domácí elektrické spotřebiče nesmí být odkládány do běžného netříděného domovního odpadu. Staré spotřebiče musí být odevzdány do odděleného sběru, a to za účelem recyklace a optimálního využití materiálů, které obsahují, a z důvodu předcházení negativním dopadům na lidské zdraví a životní prostředí. Symbol "přeškrtnuté popelnice" na výrobku vás

upozorňuje na povinnost odevzdat zařízení po skončení jeho životnosti do odděleného sběru.

Spotřebitelé by měli kontaktovat příslušné místní úřady nebo svého prodejce ohledně informací týkajících se správné likvidace starého zařízení.

Popis pračky a zahájení pracího programu

Ovládací panel



Dávkovač pracích prostředků: slouží k dávkování pracích prostředků a přídatných prostředků (viz „Prací prostředky a prádlo“).

Tlačítko **ON/OFF**: slouží k zapnutí a vypnutí pračky.


Otočný ovladač **PROGRAMŮ**: pro nastavení pracích programů. Během pracího programu zůstane ve stejné poloze.

FUNKČNÍ tlačítka s kontrolkami: slouží k volbě jednotlivých dostupných funkcí. Kontrolka zvolené funkce zůstane rozsvícena.

Otočný ovladač **ODSTŘEĐOVÁNÍ**: slouží k nastavení odstřeďování nebo k jeho vyloučení (viz „Uživatelská nastavení“).

Otočný ovladač **TEPLOTY**: slouží k nastavení teploty praní nebo praní ve studené vodě (viz „Uživatelská nastavení“).


DISPLEJ: slouží k zobrazení doby trvání různých programů, které jsou k dispozici, a po zahájení cyklu i zbývající doby ukončení probíhajícího programu; v případě nastavení **ODLOŽENÝ START** bude zobrazena doba chybějící do zahájení zvoleného programu.

ODLOŽENÝ START : stiskněte za účelem nastavení odloženého startu zvoleného programu. Doba, o kterou bude start odložen, bude zobrazena na displeji.

Kontrolky **PRŮBĚHU PRACÍHO CYKLU**: slouží ke kontrole průběhu pracího programu. Rozsvícená kontrolka poukazuje na probíhající fázi.

Kontrolka **ZABLOKOVANÁ DVÍŘKA**: informuje o tom, zda je možné otevřít dvířka (viz *vedlejší strana*).

Tlačítko s kontrolkou **START/PAUZA**: Slouží ke spuštění nebo dočasnému přerušení programů.

POZN.: Stisknutí tohoto tlačítka slouží k přerušení probíhajícího praní; příslušná kontrolka bude blikat oranžovým světlem, zatímco kontrolka probíhající fáze zůstane rozsvícena stálým světlem. Když bude kontrolka **ZABLOKOVANÁ DVÍŘKA**  zhasnuta, bude možné otevřít dvířka. Za účelem opětovného zahájení praní z bodu, ve kterém bylo přerušeno, znovu stiskněte toto tlačítko.

Pohotovostní režim



Za účelem shody s novými předpisy souvisejícími s energetickou úsporou je tato pračka vybavena systémem automatického vypnutí (přechodu do pohotovostního režimu – standby), který je aktivován po uplynutí 30 minut, když se pračka nepoužívá. Krátce stiskněte tlačítko **ON/OFF** a vyčkejte na obnovení činnosti zařízení.

Kontrolky

Kontrolky jsou zdrojem důležitých informací. Informují nás o následujících skutečnostech:

Kontrolka aktuální fáze pracího programu:

Po zvolení a zahájení požadovaného pracího cyklu dojde k postupnému rozsvícení kontrolky informující o jeho průběhu.

Praní	
Máchání	
Odstředování	
Odčerpání vody	
Ukončení praní	

Funkční tlačítka a příslušné kontrolky

Po zvolení konkrétní funkce dojde k rozsvícení příslušné kontrolky.


V případě, že zvolená funkce není kompatibilní s nastaveným pracím programem, příslušná kontrolka začne blikat a funkce nebude aktivována.

V případě, že zvolená funkce není kompatibilní s jinou předem zvolenou funkcí, kontrolka první funkce bude blikat a bude aktivována pouze druhá, přičemž kontrolka zvolené funkce se rozsvítí stálým světlem.

Kontrolka zablokovaných dvířek

Rozsvícení této kontrolky poukazuje na to, že dvířka jsou zajištěna kvůli zamezení náhodnému otevření; aby se zabránilo poškození dvířek, před jejich otevřením je třeba vyčkat, dokud uvedená kontrolka nezhasne; (vyčkejte přibližně 3 minuty). Za účelem otevření dvířek v průběhu pracího cyklu stiskněte tlačítko START/PAUSE; když bude kontrolka ZABLOKOVANÁ DVÍŘKA zhasnutá, bude možné otevřít dvířka.

Zahájení pracího programu

1. Zapněte pračku stisknutím tlačítka ON/OFF. Všechny kontrolky se rozsvítí na několik sekund, poté se zhasnou a bude blikat kontrolka START/PAUSE.
2. Naplňte pračku a zavřete dvířka.
3. Otočným ovladačem PROGRAMŮ nastavte požadovaný prací program.
4. Nastavte teplotu praní (viz „Uživatelská nastavení“).
5. Nastavte rychlost odstředování (viz „Uživatelská nastavení“).
6. Nadávkujte prací prostředek a přídatné prostředky (viz „Prací prostředky a prádlo“).
7. Zvolte požadované funkce.
8. Zahajte prací program stisknutím tlačítka START/PAUSE a příslušná kontrolka zůstane rozsvícena stálým světlem zelené barvy. Zrušení nastaveného pracího cyklu se provádí přerušením činnosti zařízení stisknutím tlačítka START/PATA a volbou nového cyklu.
9. Po ukončení pracího programu se rozsvítí kontrolka END. Po zhasnutí kontrolky ZABLOKOVANÁ DVÍŘKA  bude možné otevřít dvířka. Vytáhněte prádlo a nechte dvířka pootevřená, aby bylo umožněno vysušení bubny. Vypněte pračku stisknutím tlačítka ON/OFF.

Prací programy

Tabulka pracích programů

Programy	Popis programu	Max. teplota (°C)	Max. rychlost (otáčky za minutu)	Prací prostředky			Max. náplň (kg)	Zbytková vlhkost %	Spotřeba energie kWh	Celkové množství vody lt	Cycle duration
				Předpraní	Praní	Aviváž					
Programy pro každodenní praní (Daily)											
1	Bavlna + předpraní: mimořádně znečištěné bílé prádlo.	90°	1000	●	●	●	4	62	1,46	44	140'
2	Standardní program pro bavlnu pro praní při 60°C (1): silně znečištěné bílé a barevné prádlo z odolných tkanin.	60° (Max. 90°)	1000	-	●	●	4	62	0,77	30,6	145'
3	Standardní program pro bavlnu pro praní při 40°C (2): silně znečištěné bílé a barevné choulostivé prádlo.	40°	1000	-	●	●	4	62	0,66	44	140'
4	Syntetika: velmi znečištěné barevné prádlo z odolných tkanin.	60°	800	-	●	●	2	42	0,67	26	95'
4	Syntetika (3): částečně znečištěné barevné prádlo z odolných tkanin.	40°	800	-	●	●	2	42	0,42	27	85'
5	Barevná bavlna: málo znečištěné bílé a barevné choulostivé prádlo.	40°	1000	-	●	●	4	62	0,65	32	85'
20° Zone											
6	Standardní program pro bavlnu pro praní při 20°C: silně znečištěné bílé a barevné choulostivé prádlo.	20°	1000	-	●	●	4	-	-	-	160'
7	Mix Light	20°	800	-	●	●	4	-	-	-	105'
8	20' Refresh	20°	800	-	●	●	1,5	-	-	-	20'
Speciální programy (Special)											
9	Hedvábí/Záclony: pro prádlo z hedvábí, viskózy, spodní prádlo.	30°	0	-	●	●	1	-	-	-	50'
10	Vlna: pro vlnu, kašmír atd.	40°	800	-	●	●	1	-	-	-	55'
11	Jeans	40°	800	-	●	●	1,5	-	-	-	70'
Sport											
12	Sport Intensive	30°	600	-	●	●	1,5	-	-	-	80'
13	Sport Light	30°	600	-	●	●	1,5	-	-	-	55'
14	Sport Shoes	30°	600	-	●	●	Max. 2 páry.	-	-	-	50'
Dílní programy											
	Máchání	-	1000	-	-	●	4	-	-	-	36'
	Odšťědování + Odčerpání vody	-	1000	-	-	-	4	-	-	-	16'

Doba trvání cyklu uvedená na displeji nebo v návodu představuje odhad vypočítaný na základě standardních podmínek. Skutečná doba se může měnit v závislosti na četných faktorech, jako je např. teplota a tlak vody na vstupu, teplota prostředí, množství pracího prostředku, množství a druh náplně, vyvážení náplně a zvolené volitelné funkce.

1) Kontrolní program podle normy 1061/2010: nastavte program 2 s teplotou 60°C.

Tento cyklus je vhodný pro praní běžně znečištěné bavlny a jedná se o neúčinnější cyklus z hlediska kombinované spotřeby energie a vody určený pro prádlo, které lze prát při teplotě do 60 °C. Skutečná teplota praní se může lišit od uvedené.

2) Kontrolní program podle normy 1061/2010: nastavte program 3 s teplotou 40°C.

Tento cyklus je vhodný pro praní běžně znečištěné bavlny a jedná se o neúčinnější cyklus z hlediska kombinované spotřeby energie a vody určený pro prádlo, které lze prát při teplotě do 40°C. Skutečná teplota praní se může lišit od uvedené.

Pro všechny Kontrolní ústavy:

2) Dlouhý program na praní bavlny: nastavte program 3 s teplotou 40°C.

3) Syntetický program spolu: nastavte program 4 s teplotou 40°C.

Sport Intensive (program 12) byl navržen pro velmi znečištěné látky sportovního oblečení (teplákové soupravy, šortky apod.); pro dosažení optimálních výsledků se doporučuje nepřekračovat maximální náplň uvedenou v "Tabulka pracích programů".

Sport Light (program 13) byl navržen pro mírně znečištěné látky sportovního oblečení (teplákové soupravy, šortky apod.); pro dosažení optimálních výsledků se doporučuje nepřekračovat maximální náplň uvedenou v "Tabulka pracích programů".

Doporučuje se použít tekuté prací prostředky a použít dávku vhodnou pro poloviční náplň.

Sport Shoes (program 14) byl navržen pro praní sportovní obuvi; pro dosažení optimálních výsledků neperte více než 2 páry najednou.

Programy 20° (20° Zone) nabízejí dobrou výkonnost praní při nízkých teplotách, přičemž umožňují nižší použití elektrické energie s výhodami pro finanční úsporu i pro životní prostředí. Programy 20° vyhovují všem požadavkům:

Standardní program pro bavlnu pro praní při 20°C (program 6) ideální pro náplně ze znečištěné bavlny. Dobrá výkonnost i za studena, srovnatelná s práním při 40 °C, je zaručena mechanickým působením, které je založeno na změně rychlosti v krátkých nebo dlouhých intervalech.

Mix Light (program 7) ideální pro smíšené náplně (bavlna a syntetika), tvořené středně znečištěným prádlem. Dobrá výkonnost praní i za studena je zaručena mechanickým působením, které je založeno na změně rychlosti ve středních nebo určených intervalech.

20' Refresh (program 8) osvěžení ideální cyklus pro osvěžení a praní mírně znečištěného prádla v průběhu pár minut. Trvá pouze 20 minut a šetří tak čas i energii. Umožňuje prát dohromady tkaniny různého druhu (s výjimkou vlny a hedvábí) při náplni nepřesahující 1,5 kg.

Nastavení teploty

Otáčením otočného ovladače TEPLoty se nastavuje teplota praní (viz *Tabulka programů*).

Teplota může být postupně snižována až po praní ve studené vodě (❄).

Zařízení automaticky zabrání nastavení vyšší teploty, než je maximální teplota pro každý prací program.

! Výjimka: při volbě programu **2** bude možné zvýšit teplotu až na 90°C.

Nastavení odstředování

Otáčením otočného ovladače Odstředování se nastavuje rychlost odstředování zvoleného pracího programu.

Maximální rychlosti pro jednotlivé prací programy jsou:

Programy	Maximální rychlost
Bavlna	1000 otáček za minutu
Syntetika	800 otáček za minutu
Vlna	800 otáček za minutu
Hedvábí	pouze odčerpání vody

Rychlost odstředování může být snížena nebo může být odstředování vyloučeno volbou symbolu (⊘).

Zařízení automaticky zabrání odstředování vyšší rychlostí, než je maximální rychlost pro každý prací program.

Funkce

Jednotlivé funkce, kterými pračka disponuje, umožňují dosáhnout požadovaného stupně čistoty a bělosti praného prádla.

Způsob aktivace jednotlivých funkcí:

1. stisknete příslušné tlačítko požadované funkce;
2. rozsvícení příslušné kontrolky signalizuje, že došlo k aktivaci zvolené funkce.

Poznámka:

- V případě, že zvolená funkce není kompatibilní s nastaveným pracím programem, příslušná kontrolka začne blikat a funkce nebude aktivována.
- V případě, že zvolená funkce není kompatibilní s jinou předem zvolenou funkcí, kontrolka první funkce bude blikat a bude aktivována pouze druhá, přičemž kontrolka zvolené funkce se rozsvítí stálým světlem.


Odložený start

Pro nastavení odloženého startu zvoleného programu stiskněte příslušné tlačítko až do dosažení požadované doby odložení. Po zvolení této volitelné funkce se zobrazí symbol . Zrušení odloženého startu se provádí stisknutím tlačítka až do zobrazení nápisu OFF.

EcoTime

Volbou této volitelné funkce se bude mechanický pohon, teplota a voda optimalizovat pro sníženou náplň mírně znečištěné bavlny a syntetických materiálů "*Tabulka pracích programů*". Při použití "EcoTime" můžete pracovat s kratšími dobami a ušetřit vodu a energii. Doporučuje se používat dávku tekutého pracího prostředku vhodnou pro naplněné množství.

Energy Saver

Funkce  **Energy Saver** přispívá k energetické úspoře tím, že neohřívá vodu použitou pro praní prádla – jedná se o výhodu pro životní prostředí i pro účet za elektrickou energii. Zesílený účinek a optimalizovaná spotřeba vody vskutku zaručují optimální výsledky během stejné průměrné doby odpovídající standardnímu cyklu. Pro dosažení lepších výsledků praní se doporučuje použít tekutý prací prostředek.

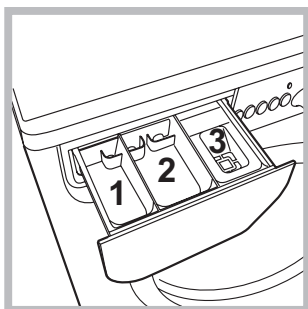
Prací prostředky a prádlo

CZ

Dávka vač pracích prostředků

Dobrý výsledek praní závisí také na správném dávkování pracího prostředku: použití jeho nadměrného množství snižuje efektivitu praní a napomáhá tvorbě vodního kamene na vnitřních částech pračky a zvyšuje znečištění životního prostředí.

- ! Nepoužívejte prací prostředky určené pro ruční praní, protože způsobují tvorbu nadměrného množství pěny.
- ! Pro předpírku a praní při teplotě vyšší než 60 °C používejte práškové prací prostředky pro bílé bavlněné prádlo.
- ! Dodržujte pokyny uvedené na obalu pracího prostředku.



Při vytahování dávkovače pracích prostředků a při jeho plnění pracími nebo přídatnými prostředky postupujte následovně.

příhrádka 1: Prací prostředek (práškový) pro předpírání
příhrádka 2: Prací prostředek (práškový anebo tekutý) pro praní

Tekutý prací prostředek se nalévá pouze těsně před uvedením do chodu.

příhrádka 3: Přídatné prostředky (aviváž, atd.)
Aviváž nesmí vytékat z mřížky.

Příprava prádla

- Roztřídte prádlo podle:
 - druhu tkaniny / symbolu na visačce.
 - barvy: oddělte barevné prádlo od bílého.
- Vyprázdněte kapsy a zkontrolujte knoflíky.
- Nepřekračujte hodnoty povolené náplně, uvedené v „*Tabulka pracích programů*“, vztahující se na hmotnost suchého prádla.


Kolik váží prádlo?

- 1 prostěradlo 400-500 g
- 1 povlak na polštář 150-200 g
- 1 ubrus 400-500 g
- 1 župan 900-1.200 g
- 1 ručník 150-250 g

Oděvy vyžadující zvláštní péči

Hedvábí: použijte příslušný program **9** pro praní všeho prádla z hedvábí. Doporučujeme použití pracího prostředku pro choulostivé prádlo.

Záclony: přehnout je a uložit dovnitř povlaku na polštář anebo do sáčku ze síťoviny. Použijte program **9**.

Vlna: S programem **10** je možné prát v pračce všechny druhy vlněného prádla, také ty, které jsou označeny visačkou „prát pouze v ruce“ . Pro dosažení optimálních výsledků používejte specifický prací prostředek a nepřekračujte 1 kg prádla.

Jeans: převraťte prádlo naruby a použijte tekutý prací prostředek. Použijte program **11**.

System automatického vyvážení náplně

Před každým odstředováním provede otáčení rychlostí lehce převyšující rychlost praní, aby se odstranily vibrace a aby se náplň rovnoměrně rozložila. V případě, že po několikanásobných pokusech o vyvážení prádlo ještě nebude správně vyváženo, zařízení provede odstředování nižší rychlostí, než je přednastavená rychlost. Za přítomnosti nadměrného nevyvážení pračka provede namísto odstředování vyvážení. Za účelem dosažení rovnoměrnějšího rozložení náplně a jejího správného vyvážení se doporučuje míchat velké a malé kusy prádla.

Může se stát, že pračka nebude fungovat. Dříve, než zatelefonujete na Servisní službu (viz „*Servisní služba*“), zkontrolujte, zda se nejedná o problém, který lze snadno vyřešit s pomocí následujícího seznamu.

Poruchy:

Možné příčiny / Způsob jejich odstranění:

Pračku nelze zapnout.

- Zástrčka není zasunuta v zásuvce nebo není zasunuta natolik, aby došlo ke spojení kontaktů.
- V celém domě je vypnutý proud.

Nedochází k zahájení pracího cyklu.

- Nejsou řádně zavřená dvířka.
- Nebylo stisknuto tlačítko ON/OFF.
- Nebylo stisknuto tlačítko START/PAUSE.
- Nebyl otevřen kohout přívodu vody.
- Byl nastaven odložený start (viz „*Uživatelská nastavení*“).

Pračka nenapouští vodu (Na displeji se zobrazí blikající nápis „H2O“).

- Přívodní hadice není připojena k vodovodnímu kohoutu.
- Hadice je příliš ohnutá.
- Nebyl otevřen kohout přívodu vody.
- V celém domě je uzavřený přívod vody.
- V rozvodu vody není dostatečný tlak.
- Nebylo stisknuto tlačítko START/PAUSE.

Dochází k nepřetržitému napouštění a odčerpávání vody.

- Vypouštěcí hadice se nachází mimo určené rozmezí od 65 do 100 cm nad zemí (viz „*Instalace*“).
 - Koncová část vypouštěcí hadice je ponořena ve vodě (viz „*Instalace*“).
 - Odpad ve stěně není vybaven odvzdušňovacím otvorem.
- Když ani po uvedených kontrolách nedojde k odstranění problému, uzavřete přívod vody, vypněte pračku a přivolejte Servisní službu. V případě, že se byt nachází na jednom z nejvyšších poschodí, je možné, že dochází k sifonovému efektu, jehož následkem pračka nepřetržitě napouští a odčerpává vodu. Pro odstranění uvedeného efektu jsou v prodeji běžně dostupné speciální protisifonové ventily.

Nedochází k vyčerpání vody nebo k odstředování.

- Odčerpání vody netvoří součást nastaveného programu: u některých programů je třeba jej aktivovat manuálně.
- Vypouštěcí hadice je ohnutá (viz „*Instalace*“).
- Odpadové potrubí je ucpáno.

Během odstředování je možné pozorovat silné vibrace pračky.

- Během instalace nebyl buben odjištěn předepsaným způsobem (viz „*Instalace*“).
- Pračka není dokonale vyrovnaná do vodorovné polohy (viz „*Instalace*“).
- Pračka je stlačena mezi nábytkem a stěnou (viz „*Instalace*“).

Dochází k úniku vody z pračky.

- Přítoková hadice není správně zašroubována (viz „*Instalace*“).
- Dávkovač pracích prostředků je ucpán (způsob jeho vyčištění je uveden v části „*Údržba a péče*“).
- Vypouštěcí hadice není upevněna předepsaným způsobem (viz „*Instalace*“).

Kontrolky „volitelné funkce“ a kontrolka „START/PAUSE“ blikají a jedna z kontrolkek „probíhající fáze“ a „zablokovaná dvířka“ se rozsvítí stálým světlem.

- Vypněte zařízení a vytáhněte zástrčku ze zásuvky, vyčkejte přibližně 1 minutu a opětovně jej zapněte.
- Když porucha přetrvává, obraťte se na Servisní službu.

Dochází k tvorbě nadměrného množství pěny.

- Použitý prací prostředek není vhodný pro použití v automatické pračce (musí obsahovat označení „pro praní v pračce“, „pro ruční praní nebo pro praní v pračce“ nebo podobné označení).
- Bylo použito jeho nadměrné množství.

Servisní služba

CZ

Před přivoláním Servisní služby:

- Zkontrolujte, zda nejste schopni poruchu odstranit sami (viz „Poruchy a způsob jejich odstranění“);
- Opětovně uveďte do chodu prací program, abyste ověřili, zda byla porucha odstraněna;
- V opačném případě se obraťte na Centrum servisní služby na telefonním čísle uvedeném na záručním listu.

! Nikdy se neobracejte s žádostí o pomoc na techniky, kteří nejsou k výkonu této činnosti oprávněni.

Při hlášení poruchy uveďte:

- druh poruchy;
- model zařízení (Mod.);
- výrobní číslo (S/N).

Tyto informace jsou uvedeny na štítku aplikovaném na zadní části pračky a v její přední části, dostupné po otevření dvířek.

NAŘÍZENÍ KOMISE V PŘENESENÉ PRÁVOMOCI (EU) č. 1061/2010

Značka	INDESIT
Model	IWUD 41051 C ECO EU
Jmenovitá kapacita bavlněné látky v kg	4.0
Třída energetické účinnosti na stupnici A+++ (nejnižší spotřeba) až G (vysoká spotřeba)	A+
Roční spotřeba energie v kWh ¹⁾	140.0
Spotřeba energie standardního programu pro bavlnu pro praní při 60 °C s celou náplní v kWh ²⁾	0.77
Spotřeba energie standardního programu pro bavlnu pro praní při 60 °C s poloviční náplní v kWh ²⁾	0.502
Spotřeba energie standardního programu pro bavlnu pro praní při 40 °C s poloviční náplní v kWh ²⁾	0.431
Vážená spotřeba energie ve vypnutém stavu ve W	0.5
Vážená spotřeba energie v režimu ponechání v zapnutém stavu ve W	8.0
Roční spotřeba vody v litrech ³⁾	5286
Třída účinnosti sušení odštěďováním na stupnici od G (nejmenší účinnost) do A (nejvyšší účinnost)	C
Maximální otáčky při odštěďování ⁴⁾	1000
Zbytkový obsah vlhkosti v % ⁵⁾	62%
Trvání „standardního programu pro bavlnu pro praní při 60 °C“ s celou náplní v minutách.	145
Trvání „standardního programu pro bavlnu pro praní při 60 °C“ s poloviční náplní v minutách.	115
Trvání „standardního programu pro bavlnu pro praní při 40 °C“ s poloviční náplní v minutách.	110
Trvání režimu ponechání v zapnutém stavu v minutách	30
Emise hluku v dB(A) re 1 pW během praní ⁶⁾	59
Emise hluku v dB(A) re 1 pW během odštěďování ⁶⁾	79

¹⁾ "Standardní program pro bavlnu pro praní při 60 °C" s celou náplní a poloviční náplní a standardní program pro bavlnu pro praní při 40 °C s poloviční náplní jsou standardní prací programy, na které se vztahují informace uvedené na energetickém štítku a v informačním listu. Tyto programy jsou vhodné pro praní běžně znečištěného bavlněného prádla a jedná se o neúčinnější programy z hlediska kombinované spotřeby energie a vody.

²⁾ Na základě 220 standardních pracích cyklů s programy pro bavlnu pro praní při 60 °C a 40 °C s celou a poloviční náplní a spotřeba v režimech s nízkou spotřebou energie. Skutečná spotřeba energie bude záviset na tom, jak je spotřebič používán.

³⁾ Na základě 220 standardních pracích cyklů s programy pro bavlnu pro praní při 60 °C a 40 °C s celou a poloviční náplní. Skutečná spotřeba vody bude záviset na tom, jak je spotřebič používán.

⁴⁾ U standardního programu pro bavlnu pro praní při 60 °C s celou náplní nebo u standardního programu pro bavlnu pro praní při 40 °C s poloviční náplní podle toho, která hodnota je menší.

⁵⁾ U standardního programu pro bavlnu pro praní při 60 °C s celou náplní nebo u standardního programu pro bavlnu pro praní při 40 °C s poloviční náplní podle toho, která hodnota je větší.

⁶⁾ Během fází praní a odštěďování u standardního programu pro bavlnu pro praní při 60 °C s celou náplní.

BG

Български

IWUD 41051

Съдържание

Монтиране, 26-27

Разопаковане и нивелиране
Хидравлични и електрически връзки
Първо пране
Технически данни

Поддръжка и почистване, 28

Спиране на водата и изключване на електрозахранването
Почистване на пералната машина
Почистване на чекмеджето за перилните препарати
Поддръжка на люка и на барабана
Почистване на помпата
Проверка на маркуча за студената вода

Мерки за безопасност и препоръки, 29

Общи предохранителни мерки
Рециклиране

Описание на пералната машина и пускането на дадена програма, 30-31

Табло за управление
Светлинни индикатори
Включване на програма

Програми, 32

Таблица с програмите

Персонализираня, 33

Задаване на температурата
Задаване на центрофугата
Функции

Перилни препарати и дрехи за пране, 34

Чекмедже за перилните препарати
Подготвяне на прането
Специфично пране
Система за измерване на товара

Проблеми и мерки за отстраняването им, 35

Сервизно обслужване, 36

Монтиране

BG

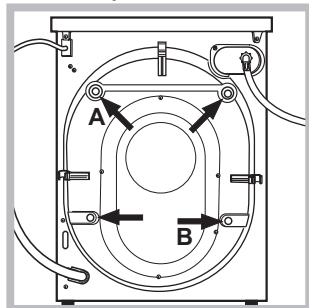
! Важно е да съхранявате инструкциите, за да можете да правите допълнителни справки по всяко време. В случай че пералната машина се продаде, преотстъпи или премести, трябва да се погрижите инструкциите винаги да я придружават, за да се предостави информация на новия собственик за работата и съответните предупреждения.

! Прочетете внимателно инструкциите: защото съдържат важна информация за монтажа, използването и безопасността.

Разопаковане и нивелиране

Разопаковане

1. Разопакувайте пералната машина.
2. Проверете дали пералната машина не е повредена при транспортирането. Ако е повредена, не я свързвайте, а се обърнете към продавача.



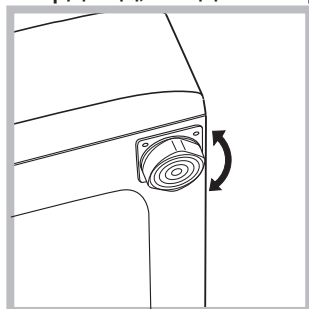
3. Свалете 4-те винта за предпазване при транспорт и гумичката със съответната втулка, поставени от задната страна (виж показаното на фигурата).

4. Затворете отворите с предоставените пластмасови капачки.
5. Съхранете всички части: за да се монтира отново при необходимост пералната машина да бъде транспортирана.

! Опаковъчният материал не е детска играчка.
! Всеки път, когато машината трябва да се наклони или премести, с цел запазване целостта на вътрешните ѝ компоненти, е необходимо да се монтира отново винтовете, гуменото уплътнение и дистанционната втулка в положение **A** и **B**. Не пропускайте след това пак да ги отстраните.

Нивелиране

1. Монтирайте пералната машина на равен и твърд под, без да я опирате в стени, мебели и др.



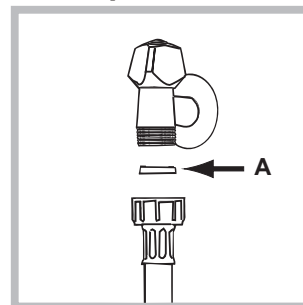
2. Ако подът не е идеално хоризонтален, компенсирате неравностите, като отвиете или завийте предните крачета (виж фигурата); ъгълът на наклона, измерен върху работната

повърхност, не трябва да надвишава 2°.

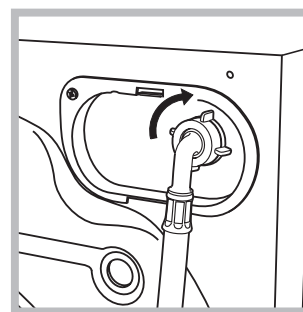
Точното нивелиране позволява машината да бъде стабилна и да се избягват вибрациите, шумът и преместването ѝ по време на работа. Когато настилката е мокет или килим, регулирайте така крачетата, че под пералната машина да остане достатъчно място за вентилация.

Хидравлични и електрически връзки

Свързване на маркуча към водопроводната мрежа



1. Поставете уплътнението "A" в края на маркуча за студената вода и го завийте към крана за студената вода на 3/4" (виж фигурата). Преди да го свържете източете водата, докато се избистри.



2. Свържете маркуча за студената вода към пералната машина, като го завийте към специалния щуцер, разположен от задната страна, горе вдясно (виж фигурата).

3. Внимавайте маркуча да не се прегъва и притиска.

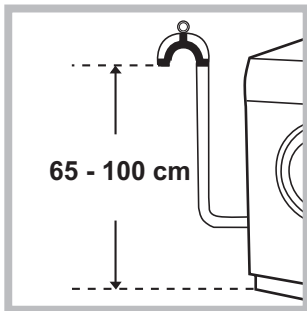
! Налягането по водопроводната мрежа трябва да бъде в границите, указани в таблицата „Технически данни“ (вж. следващата страница).

! Ако дължината на захранващия маркуч не е достатъчна, се обърнете към специализиран магазин или към оторизиран техник.

! Никога не използвайте вече употребяван маркуч.

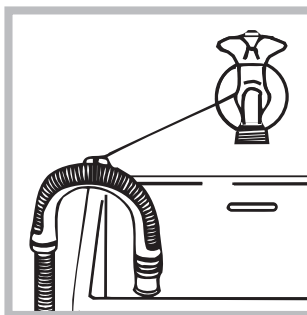
! Използвайте тези, които са доставени с пералната машина.

Свързване на маркуча за мръсната вода



Свържете маркуча за мръсната вода, без да го прегъвате, към канализационната тръба или към тръбата за отвеждане в стената, разположени на височина между 65

и 100 см от пода, или го подпрете на ръба на мивката или ваната,



свързвайки доставения водач към крана (вж. фигурата). Свободният край на маркуча за мръсната вода не трябва да бъде потопен във водата.

! Не се препоръчва използването на удължителни маркучи. Ако е необходимо, удължителят трябва да има същия диаметър като оригиналния и да не надвишава 150 см.

Свързване към електрическата мрежа

Преди да свържете щепсела в контакта, проверете дали:

- контактът е заземен съгласно действащите стандарти;
- контактът може да поеме максималната мощност на натоварване на машината, указана в таблицата с техническите данни (виж следващата страница);
- захранващото напрежение е в границите на указаното в таблицата с техническите данни (виж следващата страница);
- контактът отговаря на щепсела на пералната машина. В противен случай заменете щепсела или контакта.

! Пералната машина не се монтира на открито, дори под навес, защото е много опасно да се остави на влиянието на атмосферните условия.

! За монтираната перална машина електрическият контакт трябва да бъде лесно достъпен.



! Не използвайте удължители или разклонители.

! Кабелът не трябва да бъде огънат или сплескан.

! Захранващият кабел трябва да се подменя само от оторизирани техници. Внимание! Фирмата отхвърля всякаква отговорност в случаите, в които тези норми не се спазват.

Първо пране

След инсталиране и преди употреба включете един цикъл на изпиране с перилен препарат, но без дрехи, задавайки програма 2.

Технически данни	
Модел	IWUD 41051
Размери	ширина 59,5 см
	височина 85 см
	дълбочина 33 см
Вместимост	от 1 до 4 кг.
Електрическо захранване	Виж табелката с характеристиките, поставена на машината
Захранване с вода	максимално налягане 1 MPa (10 bar) минимално налягане 0,05 MPa (0,5 bar) обем на казана 27 литра
Скорост на центрофугата	до 1000 оборота/минута
Програми за проверка съгласно Регламенти № 1061/2010 и № 1015/2010 на Комисията	програма 2; стандартна програма за памук при 60°C. програма 3; стандартна програма за памук при 40°C.
 	Пералната машина съответства на следните Европейски директиви: - 2004/108/CE (за електромагнитна съвместимост) - 2006/95/CE (за ниско напрежение) - 2012/19/EU

Поддръжка и почистване

BG

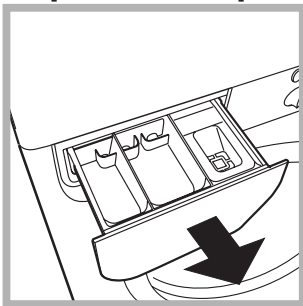
Спиране на водата и изключване на електрозахранването

- Затваряйте крана за вода след всяко изпиране. По този начин се ограничава износването на хидравличната инсталация на пералната машина и се ограничава опасността от течове.
- Изключвайте щепсела от електрическото захранване, когато почиствате пералната машина и по време на работи по поддръжката.

Почистване на пералната машина

Външната част и гумените части могат да се почистват с кърпа с хладка вода и сапун. Не използвайте разтворители или абразивни препарати.

Почистване на чекмеджето за перилните препарати



Извадете чекмеджето с повдигане и изтегляне навън (виж фигурата). Измийте го под течаща вода. Това почистване трябва да се извършва често.

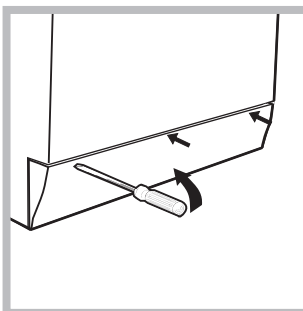
Поддръжка на люка и на барабана

- Оставете люка винаги открит за избягване образуването на неприятни миризми.

Почистване на помпата

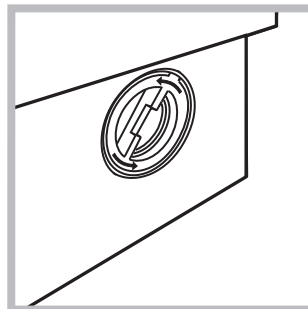
Пералната машина е окомплектована със самопочистваща се помпа, която няма нужда от поддръжка. Възможно е обаче малки предмети (монети, копчета) да попаднат във филтъра, който предпазва помпата и се намира в долната ѝ част.

! Уверете се, че цикълът на пране е завършил, и изключете щепсела от контакта.



За достъп до филтъра:

1. свалете панела в предната част на пералната машина с помощта на отвертка (вж. фигура);



2. отвийте капачката, като я завъртите в посока, обратна на часовниковата стрелка (виж фигура): нормално е да изтече малко вода;

3. почистете внимателно отвътре;
4. завийте отново капачката;
5. затворете отново панела, като, преди да го избутате към пералнята, се уверите, че сте поставили правилно закрепващите куки в специалните водачи.

Проверка на маркуча за студената вода

Проверявайте маркуча за студената вода поне веднъж годишно. Да се замени, ако е напукан и нацепен, защото по време на изпиране голямото налягане може да предизвика внезапно спукване.

! Никога не използвайте вече употребяван маркуч.

! Пералната машина е проектирана и произведена в съответствие с международните норми за безопасност. Предупрежденията тук са продиктувани по причини за безопасност и трябва да се четат внимателно.

Общи предохранителни мерки

- Този уред е предназначен изключително за домашна употреба.
- Този уред може да бъде използван от деца над 8 години и лица с ограничени физически, сетивни или умствени способности, или с недостатъчен опит и познания, ако те са наблюдавани или инструктирани относно използването на уреда от лице, отговорно за тяхната безопасност и разбират опасностите, свързани с употребата на уреда. Децата не трябва да си играят с уреда. Поддръжката и почистването не трябва да се извършват от деца без надзор.
- Пералната машина трябва да се използва само от възрастни хора съгласно инструкциите, предоставени в тази книжка.
- Не докосвайте машината, когато сте боси или с мокри или влажни ръце или крака.
- Изключвайте от контакта, като хващате за щепсела, а не като дърпате кабела.
- Не отваряйте чекмеджето с перилните препарати, докато пералната машина работи.
- Не докосвайте маркуча за мръсната вода, защото може да достигне високи температури.
- Никога не отваряйте люка със сила, защото може да се повреди механизма за безопасност, който предпазва от случайно отваряне.
- В случай на повреда по никакъв повод не достигайте до вътрешните механизми в опити за ремонт.
- Винаги контролирайте децата да не се доближават до работещата машина.
- По време на изпирането люкът се нагрива.
- Преместването да се извършва внимателно от двама или трима души. Никога от сам човек, защото пералната машина тежи много.
- Преди да заредите машината, проверете дали барабанът е празен.

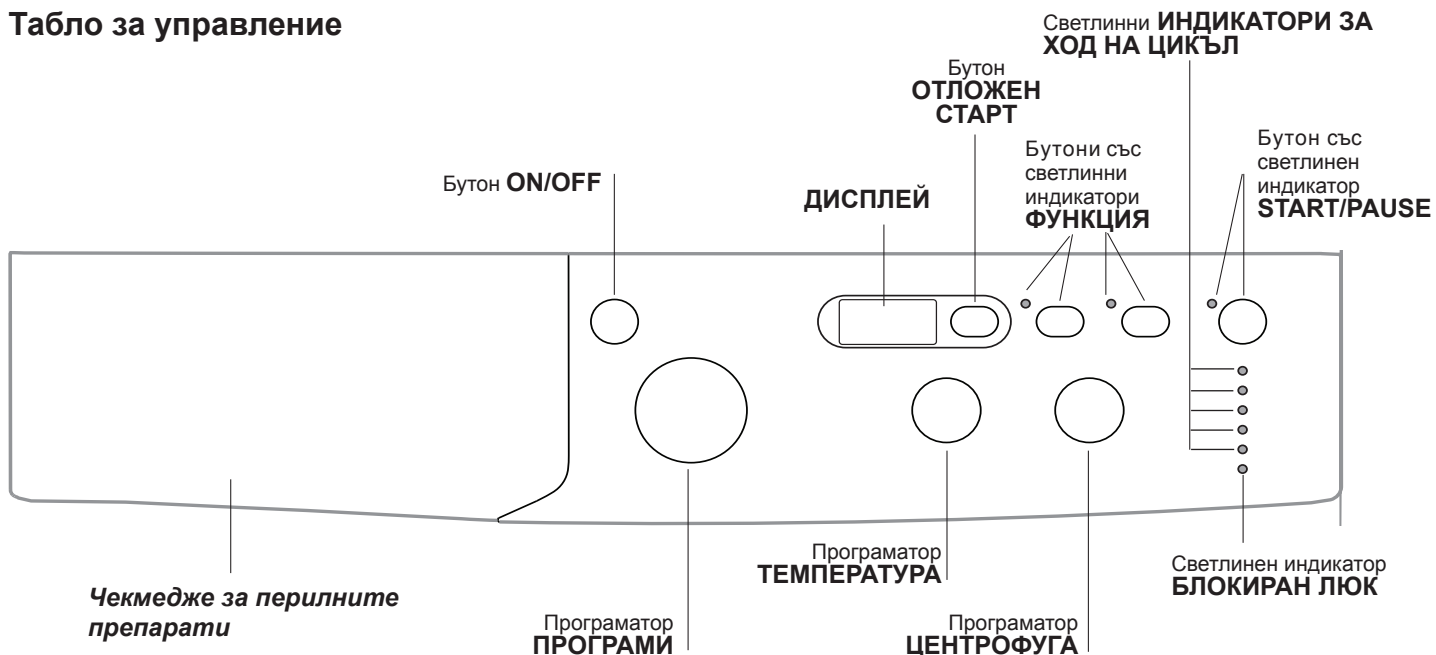
Рециклиране

- Унищожаване на опаковъчния материал: спазвайте местните норми – по този начин опаковъчният материал може да се рециклира.
- Европейската директива 2012/19/EU за отпадъците от електрическо и електронно оборудване предвижда домакинските електроуреди да не се изхвърлят заедно с обичайните твърди градски отпадъци. Извадените от употреба уреди трябва да бъдат събирани отделно с цел да бъде увеличен делът на подлежащите на

повторна употреба и рециклиране материали, от които са направени, както и да бъдат избегнати евентуални вреди за здравето и околната среда. Символът “зачеркнато кошче” е поставен върху всички продукти, за да напомня за задължителното разделно събиране. За допълнителна информация относно правилното изваждане от употреба на домакинските електроуреди, интересуващите се могат да се обърнат към службата за събиране на отпадъци или към дистрибуторите.

Описание на пералната машина и пускането на дадена програма

Табло за управление



Чекмедже за перилните препарати: за дозиране на перилните препарати и добавките (вж. "Перилни препарати и дрехи за пране").

Бутон ON/OFF: за включване и изключване на пералнята.


Програматор ПРОГРАМИ: за задаване на програмите. По време на изпълнение на програмата ключът остава неподвижен.

Бутони със светлинни индикатори ФУНКЦИЯ: за селектиране на възможните функции. Светлинният индикатор за избраната функция ще продължи да свети.

Програматор ЦЕНТРОФУГА: за задаване на центрофуга или за изключването ѝ (вж. "Персонализираня").

Програматор ТЕМПЕРАТУРА: за задаване на температура или пране със студена вода (вж. "Персонализираня").

ДИСПЛЕЙ: за показване продължителността на програмите, а при пуснат в действие цикъл да показва времето, което остава до завършването му; в случай, че е било зададено ОТЛОЖЕН СТАРТ, ще показва времето, оставащо до включване на избраната програма.


Бутон ОТЛОЖЕН СТАРТ : натиснете, за да зададете забавен старт за избраната програма – закъснението ще се появи на дисплея.

Светлинни ИНДИКАТОРИ ЗА ХОД НА ЦИКЪЛ: за да следвате хода на изпълнение на програмата за пране.

Включеният светлинен индикатор показва, че се извършва определена фаза от цикъла.

Светлинен индикатор БЛОКИРАН ЛЮК: за да се разбере дали люкът може да се отвори (вж. *съседната страница*).

Бутон със светлинен индикатор START/PAUSE: за стартиране на програмите или временното им прекъсване.

Забележка: за задаване на пауза в прането натиснете отново бутона - индикаторът ще мига с оранжева светлина, докато светлинният индикатор, указващ изпълнение на фаза, ще свети непрекъснато. Ако светлинният индикатор БЛОКИРАН ЛЮК  е угаснал, ще може да се отвори вратата на люка.

За продължаване на цикъла пране от мястото, в което е бил прекъснат, натиснете отново този бутон.

Режим на stand by

В съответствие с новите нормативи за пестене на енергия тази перална машина е снабдена със система за автоматично изключване (stand by), която се задейства след 30 минути в случай, че машината не се използва. Натиснете за кратко бутон ON-OFF. и изчакайте машината да се задейства отново.






Светлинни индикатори

Следящите светлинни индикатори дават важна информация.

Ето какво казват:

Светлинни индикатори за текущите фази

След като е избран и стартиран желаният цикъл на пране, светлинните индикатори ще светват един след друг, за да указват хода на цикъла:

Пране	
Изплакване	
Центрофуга	
Източване на водата	
Край на прането	


Бутони за функция и съответни светлинни индикатори

При избор на функция съответният светлинен индикатор ще светне. Ако избраната функция не е съвместима със зададената програма, съответният светлинен индикатор ще мига и функцията няма да се активира. Ако избраната функция не е съвместима с друга предварително зададена, светлинният индикатор, съответстващ на първата избрана функция, мига и се активира само втората, като индикаторът на активираната функция светва.

Светлинен индикатор блокиран люк



Светещият светоиндикатор показва, че люкът е блокиран, за да се възпрепятства отварянето му; за да отворите люка изчакайте светоиндикатора да угасне; (изчакайте около 3 минути). За отваряне на люка по време на пране се натиска бутон START/PAUSE; може да отворите люка, ако светоиндикаторът БЛОКИРАН ЛЮК е угаснал.

Включване на програма

1. Включете пералнята, като натиснете бутона ON/OFF. Всички индикатори ще се включат и ще светят в продължение на няколко секунди, след което ще угаснат и ще свети с пулсираща светлина индикаторът START/PAUSE.
2. Заредете дрехите за пране и затворете люка.
3. Задайте желаната програма с ключа ПРОГРАМИ.
4. Задайте температурата на пране (вж. "Персонализираня").
5. Задайте скоростта на центрофугиране (вж. "Персонализираня").
6. Поставете перилен препарат и добавки вж. "Перилни препарати и дрехи за пране".
7. Избиране на желаните функции.
8. Включете програмата, като натиснете бутона START/PAUSE, съответният светлинен индикатор ще свети постоянно в зелен цвят. За да отмените зададения цикъл, поставете машината в пауза, като натиснете бутона START/PAUSE, и изберете новия цикъл.
9. Когато програмата свърши, ще светне индикаторът END. Когато светоиндикаторът БЛОКИРАН ЛЮК  угасне, може да отворите люка. Извадете прането и оставете люка притворен, за да изсъхне барабанът. Изключете пералнята, като натиснете бутона ON/OFF.

Програми

Таблица с програмите

Програми	Описание на програмата	Макс. температура (°C)	Макс. скорост (обороти в минута)	Перилни препарати			Зареждане макс. (кг)	Остатъчна влажност %	Разход на енергия kWh	Общ разход на вода lt	Продължителност на цикъла
				Предп-ране	Основно пране	Омекотител					
Програми за всеки ден (Daily)											
1	ПАМУК "Предпране": Бели, изключително замърсени.	90°	1000	●	●	●	4	62	1,46	44	140'
2	Стандартна програма за памук при 60°C (1): Бели и цветни, устойчиви, силно замърсени.	60° (Max. 90°)	1000	-	●	●	4	62	0,77	30,6	145'
3	Стандартна програма за памук при 40°C (2): Бели и цветни, неустойчиви, малко замърсени.	40°	1000	-	●	●	4	62	0,66	44	140'
4	СИНТЕТИЧНИ: Цветни, устойчиви, силно замърсени.	60°	800	-	●	●	2	42	0,67	26	95'
4	СИНТЕТИЧНИ (3): Цветни, устойчиви, малко замърсени.	40°	800	-	●	●	2	42	0,42	27	85'
5	ПАМУК-ЦВЕТНИ: Бели, малко замърсени, и цветни, неустойчиви.	40°	1000	-	●	●	4	62	0,65	32	85'
20° Zone											
6	Стандартна програма за памук при 20°C: Бели и цветни, неустойчиви, малко замърсени.	20°	1000	-	●	●	4	-	-	-	160'
7	Mix Light	20°	800	-	●	●	4	-	-	-	105'
8	20' Refresh	20°	800	-	●	●	1,5	-	-	-	20'
Специални програми (Special)											
9	КОПРИНА/ПЕРДЕТА: За дрехи от коприна, вискоза, фино бельо.	30°	0	-	●	●	1	-	-	-	50'
10	ВЪЛНЕНИ ТЪКАНИ: За вълна, кашмир и т.н.	40°	800	-	●	●	1	-	-	-	55'
11	JEANS	40°	800	-	●	●	1,5	-	-	-	70'
Sport											
12	Sport Intensive	30°	600	-	●	●	1,5	-	-	-	80'
13	Sport Light	30°	600	-	●	●	1,5	-	-	-	55'
14	Sport Shoes	30°	600	-	●	●	(макс. 2 чифта.)	-	-	-	50'
Частични програми											
	ИЗПЛАКВАНЕ	-	1000	-	-	●	4	-	-	-	36'
	ЦЕНТРОФУГА + ИЗПОМПВАНЕ	-	1000	-	-	-	4	-	-	-	16'

Продължителността на цикъла, показана на дисплея или посочена в ръководството, е приблизително изчислена въз основа на стандартните условия. Реалното времетраене може да варира в зависимост от множество фактори като температура и налягане на водата при пълнене, температура на въздуха в помещението, количество перилен препарат, количество, вид и тегло на прането, допълнително избрани опции.

1) Програма за проверка съгласно стандарт 1061/2010: задайте програма 2 с температура 60 °C.

Този цикъл е подходящ за пране на памучни, нормално замърсени тъкани и е най-ефективен от гледна точка на комбиниран разход на енергия и вода, подходящ е за дрехи, които могат да се перат на 60°C.

2) Програма за проверка съгласно стандарт 1061/2010: задайте програма 3 с температура 40 °C.

Този цикъл е подходящ за пране на памучни, нормално замърсени тъкани и е най-ефективен от гледна точка на комбиниран разход на енергия и вода, подходящ е за дрехи, които могат да се перат на 40°C.

За всички Test Institutes:

2) Дълга програма за памук; задайте програма 3 с температура 40 °C.

3) Дълга програма за Синтетични; задайте програма 4 с температура 40 °C.

Sport Intensive (програма 12) разработена е за пране на тъкани на силно замърсени спортни дрехи (анцузи, панталони, др.); за постигане на по-добри резултати се препоръчва да не се надвишава максималното натоварване, указано в таблицата „Таблица с програмите“.

Sport Light (програма 13) разработена е за пране на тъкани на леко замърсено спортно облекло (анцузи, панталони, др.); за постигане на по-добри резултати се препоръчва да не се надвишава максималното натоварване, указано в „Таблица с програмите“. Препоръчва се да се използва течен перилен препарат в доза, подходяща за половин зареждане.

Sport Shoes (програма 14) разработена е за пране на спортни обувки; за постигане на по-добри резултати да не се перат повече от 2 чифта.

Програмите за 20° (20° Zone) предлагат добър резултат от изпирането при ниска температура, позволявайки пониско потребление на електроенергия, като с това допринасят за опазването на околната среда и икономическата ефективност. Програмите за 20° отговарят на всички изисквания:

Стандартна програма за памук при 20°C (програма 6) е идеална за замърсено пране от памучна тъкан. Добрите резултати включително при изпиране със студена вода, в сравнение с тези след пране при 40°, са гарантирани от механичното действие с промяна на скоростта, многократно и често достигащо до пикови стойности.

Light Mix (програма 7) е идеална за средно замърсено смесено пране (памук и синтетика). Добрите резултати, включително при изпиране със студена вода, са гарантирани от механичното действие с промяна на скоростта на определени интервали с не голяма продължителност.

20' Refresh (програма 8) е идеална програма за освежаване и изпиране на леко замърсено пране за кратко време. Той трае само 20 минути и по този начин пести енергия и време. Можете да перете едновременно тъкани от различен вид (с изключение на вълна и коприна) с максимално тегло до 1,5 кг.

Задаване на температурата

Завъртайки ключа ТЕМПЕРАТУРА, се задава температурата на пране (вж. Таблица на програмите).

Температурата може да се понижи до пране със студена вода (❄).

Пералнята автоматично ще попречи да се зададе температура, която е по-висока от максималната температура, предвидена за всяка програма.

! Изключение: с избиране на програма 2 температурата може да се повиши до 90°.

Задаване на центрофугата

Завъртайки ключа ЦЕНТРОФУГА, се задава скоростта на центрофугиране за избраната програма.

Максималните предвидени скорости за програмите са:

Програми	Максимална скорост
Памучни	1000 оборота в минута
Синтетични тъкани	800 оборота в минута
Вълна	800 оборота в минута
Коприна,	само източване

Скоростта на центрофугиране може да се намали или да се изключи, като се избере символът ⓪.

Пералнята автоматично ще попречи да се центрофугира със скорост, по-висока от максимално предвидената за всяка програма.

Функции

Допълните функции за пране, предвидени в пералната машина, дават възможност за постигане на желаното бяло и чисто пране:

За активиране на възможните функции;

- натиснете бутона, съответстващ на желаната функция;
- светването на съответния индикатор показва, че функцията е избрана.

Бележка:

- Ако избраната функция не е съвместима със зададената програма, съответният светлинен индикатор ще мига и функцията няма да се активира.
- Ако избраната функция не е съвместима с друга предварително зададена, светлинният индикатор, съответстващ на първата избрана функция, мига и се активира само втората, като индикаторът на активираната функция светва.


Отложен Старт

За задаване на отложен старт на избрана програма натиснете съответния бутон до достигане на желаното време за закъснение. Когато е активна тази опция, на дисплея ще светне символът ⌚. За отказ от отложено стартиране натиснете бутона, докато на дисплея се изпише "OFF".

EcoTime

С избирането на тази опция механичните движения, температурата и водата са оптимизирани за пране с намалено зареждане на леко замърсени памучни и синтетични дрехи (вж. „Таблица с програмите“). С "EcoTime" може да се пере за по-кратко време, с намален разход на вода и енергия. Препоръчва се да се използва доза течен перилен препарат, подходяща за количеството на заредения товар.

Energy Saver

Функцията  допринася за ограничаване разхода на електроенергия, като не подгрива водата, използвана за измиване на барабана – предимство за околната среда и за сметката за електроенергия. На практика подобрената работа и оптимизираният разход на вода гарантират отлични резултати за същата средна продължителност на стандартния цикъл на изпиране. За постигане на по-добри резултати използвайте течен перилен препарат.

Перилни препарати и дрехи за пране

BG

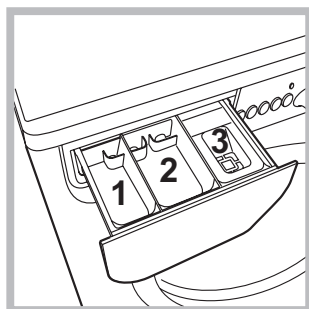
Чекмедже за перилните препарати

Добрият резултат от прането зависи и от правилното дозиране на перилните препарати. с предозиране не се пере по-ефикасно, а това води до отлагане на налепи по вътрешната страна на пералната машина и до замърсяване на околната среда.

! Не използвайте препарати за ръчно пране, защото образуват много пяна.

! Използвайте прахообразни перилни препарати за бели памучни тъкани за предпране и за пране при температура над 60°C.

! Уверете се, че следвате указанията, посочени върху опаковката на перилния препарат.



Изтеглете чекмеджето за перилните препарати и изсипете праха за пране и допълните препарати по следния начин.

отделение 1: Не слагайте перилен препарат в това отделение

отделение 2: Препарат за пране (на прах или течен)

Течният препарат се изсипва преди включването на машината.

отделение 3: Допълнителни препарати (омекотител и др.)

Омекотителят не трябва да излиза извън решетката.

Подготвяне на прането

- Разпределете прането съобразно:
 - типа на тъканите/символа върху етикета.
 - цветовете: отделете цветните от белите дрехи.
- Изпразнете джобовете и проверете копчетата.
- Не надвишавайте указаните стойности в „Таблица с програмите“, отнасящи се за теглото на сухото пране.


Колко тежат дрехите за пране?

- 1 чаршаф 400-500 г
- 1 калъфка 150-200 г
- 1 покривка 400-500 г
- 1 хавлия 900-1200 г
- 1 кърпа 150-250 г

Специфично пране

Коприна: използвайте специалната програма **9** за пране на всички дрехи от коприна. За деликатните тъкани се препоръчва използването на специален вид перилен препарат.

Пердета: препоръчва се да се сгънат и поставят в доставената торбичка. Използвайте програма **9**.

Вълнени тъкани: С програма **10** е възможно да се перат в пералня всякакви вълнени дрехи, също и тези с етикет “само за ръчно пране” . За постигане на по-добри резултати използвайте специален перилен препарат и не надвишавайте 1 kg пране.

Jeans: преди пране обърнете дрехите и използвайте само течен перилен препарат. Използвайте програма **11**.

Система за измерване на товара

Преди всяко центрофугиране, с цел избягване на прекалени вибрации и за равномерно разпределяне на товара, барабанът се завърта с малко по-висока от тази при прането скорост. Ако след направените последователни опити товарът все още не е перфектно разпределен, машината извършва центрофугиране при скорост, по-ниска от предвидената. При наличие на прекален дебалансиран пералнята извършва разпределянето вместо центрофугата. За улесняване на по-доброто разпределение на товара и правилното му балансиране се препоръчва да се смесват дрехи за пране с големи и малки размери.

Проблеми и мерки за отстраняването им

Възможно е пералната машина да откаже да работи. Преди да се обадите в сервиза за техническа поддръжка и ремонт (вж. *“Сервизно обслужване”*), проверете дали не става въпрос за лесно решим проблем, като си помогнете със следващия списък.

Проблеми:

Възможни причини / Мерки за отстраняването им:

Пералната машина не се включва.

- Щепселът не е включен към електрически контакт или не е добре включен, за да прави контакт.
- Няма ток вкъщи.

Цикълът на изпиране не започва.

- Люкът не е затворен добре.
- Бутонът ON/OFF не е бил натиснат.
- Бутонът START/PAUSE не е бил натиснат.
- Кранът за вода не е отворен.
- Зададено е забавяне, което се е насложило върху времето за пускане (вж. *“Персонализираня”*).

Пералната машина не се пълни с вода ((на дисплея се показва мигащ надпис H2O).

- Маркучът за студената вода не е свързан към крана.
- Маркучът е прегънат.
- Кранът за вода не е отворен.
- Няма вода по водопроводната мрежа.
- Налягането е недостатъчно.
- Бутонът START/PAUSE не е бил натиснат.

Пералнята непрекъснато се пълни и източва.

- Маркучът за мръсната вода не е монтиран между 65 и 100 см от земята (вж. *“Монтиране”*).
- Краят на маркуча за мръсната вода е потопен във вода (вж. *“Монтиране”*).
- Канализационната тръба в стената няма отдушник.

Ако след тези проверки проблемът не се реши, затворете крана за водата, изключете пералната машина и позвънете в сервиза. Ако жилището ви се намира на последните етажи на сградата, налягането на студената вода може да е ниско, поради което пералната машина непрекъснато се пълни и източва. За избягване на това неудобство в търговската мрежа се предлагат подходящи възвратни клапани.

Пералната не се източва или не центрофугира.

- Програмата не предвижда източване: с някои програми трябва да се извършва ръчно.
- Маркучът за мръсната вода е притиснат (вж. *“Монтиране”*).
- Канализационната тръба е запушена.

Пералната вибрира много по време на центрофугиране.

- При монтажа барабанът не е бил отблокиран правилно (вж. *“Монтиране”*).
- Пералната машина не е нивелирана (вж. *“Монтиране”*).
- Пералната машина е притисната между мебели и стена (вж. *“Монтиране”*).

Пералната има теч.

- Маркучът за студената вода не е добре свързан (вж. *“Монтиране”*).
- Чекмеджето за перилните препарати е запушено (за почистването му вж. *“Поддръжка и почистване”*).
- Маркучът за мръсната вода не е фиксиран добре (вж. *“Монтиране”*).

Светлинните индикатори на “опциите” и светлинният индикатор на “START/PAUSE” мигат и един от светлинните индикатори на “текуща фаза от програмата” и на “блокиран люк” светят постоянно.

- Изключете машината и извадете щепсела от контакта, изчакайте около 1 минута и я включете отново. Ако неизправността не може да се отстрани, потърсете услугите на Сервиза.

Образува се твърде много пяна.

- Перилният препарат не е за автоматична перална (трябва да има надпис “за автоматична перална”, “за пране на ръка и за автоматична перална” или подобен надпис).
- Дозирането е било твърде голямо.

Сервизно обслужване

BG

Преди да се свържете с техническия сервиз:

- Проверете дали можете да решите сами проблема (вж. "Проблеми и мерки за отстраняването им");
- Включете отново програмата, за да проверите дали неизправността е отстранена;
- В противен случай се обърнете към оторизирания технически сервиз на телефонния номер, указан на гаранционната карта.

! Никога не ползвайте услугите на неоторизирани техници.

Съобщете:

- типа на проблема;
- модела на машината (Mod.);
- серийния номер (S/N).

Тази информация се намира на фабричната табелка, разположена на задната страна на пералната машина и в предната част, след като се отвори люкът.

ДЕЛЕГИРАН РЕГЛАМЕНТ (ЕС) № 1061/2010 НА КОМИСИЯТА

Марка	INDESIT
Модел	IWUD 41051 C ECO EU
Капацитет на памучно пране в кг	4.0
Енергиен клас от A+++ (ниска консумация) до G (висока консумация)	A+
Годишна консумация на енергия (kWh) ¹⁾	140.0
Консумация на енергия при стандартна програма памук 60°C при пълно зареждане в kWh ²⁾	0.77
Консумация на енергия при стандартна програма памук 40°C при частично зареждане в kWh ²⁾	0.502
Консумация на енергия при стандартна програма памук 60°C при частично зареждане в kWh ²⁾	0.431
Консумация на мощност (W) при режим в готовност	0.5
Консумация на мощност (W) при режим на работа	8.0
Годишна консумация на вода в литри ³⁾	5286
Клас на изсушаване от G (ниска ефективност) до A (висока ефективност)	C
Максимални обороти на центрофугата ⁴⁾	1000
Съдържание на остатъчна влажност ⁵⁾	62%
Продължителност в минути на стандартна програма памук 60 °C при пълно зареждане	145
Продължителност в минути на стандартна програма памук 60 °C при частично зареждане	115
Продължителност в минути на стандартна програма памук 40 °C при частично зареждане	110
Продължителност в минути при преминаване от работен режим в режим на изчакване	30
Съдържание на остатъчна влажност ⁶⁾	59
Ниво на шум в dB(A) ге 1 pW при центрофугиране ⁶⁾	79

¹⁾ Информацията на енергийния стикер и описанието на продукта се отнася за стандартна програма памук 60°C при пълно и частично зареждане и стандартна програма памук 40°C при частично зареждане. Стандартните програми памук 60°C и 40°C са подходящи за пране на нормално замърсени памучни тъкани и са най-ефективни по отношение консумацията на енергия и вода. Частичното зареждане е половината от максималния капацитет на пране.

²⁾ Базирано на 220 стандартни цикъла на пране на памучни тъкани при 60°C и 40°C при пълно и частично зареждане и при консумация на нисък режим на мощност. Реалната консумация на енергия зависи от това как се използва уреда.

³⁾ Базирано на 220 стандартни цикъла на пране на памучни тъкани при 60°C и 40°C при пълно и частично зареждане. Реалната консумация на вода зависи от това как се използва уреда.

⁴⁾ По-ниската стойност между стандартни програми 60 °C при пълно и частично зареждане или 40°C при частично зареждане.

⁵⁾ По-високата стойност получена при програми памук 60 °C при пълно или частично зареждане или 40°C при частично зареждане.

⁶⁾ Базирано на фазите на пране и центрофугиране за стандартна програма памук 60°C при пълно зареждане.

HU

Magyar

IWUD 41051

Összefoglalás

Üzembe helyezés, 38-39

Kicsomagolás és vízszintbe állítás
Víz- és elektromos csatlakozás
Első mosási ciklus
Műszaki adatok

Karbantartás és ápolás, 40

A víz elzárása és az elektromos áram kikapcsolása
A mosógép tisztítása
A mosószer-adagoló fiók tisztítása
Az ajtó és a forgódob ápolása
A szivattyú tisztítása
A vízbevezető cső ellenőrzése

Óvintézkedések és tanácsok, 41

Általános biztonság
Hulladékelhelyezés

A mosógép leírása és program elindítása, 42-43

Kezelőpanel
Jelzőlámpák
Program elindítása

Programok, 44

Programtáblázat

Egyéni beállítások, 45

A hőmérséklet beállítása
A centrifugálás beállítása
Funkciók

Mosószerek és mosandók, 46

Mosószer-adagoló fiók
A mosandó ruhák előkészítése
Különleges bánásmódot igénylő ruhadarabok
A bepakolt ruhák kiegyensúlyozására szolgáló rendszer

Rendellenességek és elhárításuk, 47

Szerviz, 48

Üzembe helyezés

HU

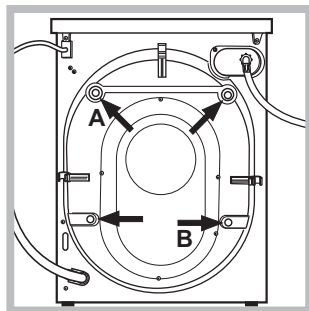
! Fontos, hogy megőrizze ezt a kézikönyvet, hogy mindig kéznél legyen. Ha a mosógépet eladná, átadná vagy másnál helyezné el, gondoskodjon arról, hogy e kézikönyv a mosógéppel együtt maradjon, hogy az új tulajdonos is megismerhesse a készülék funkcióit és az ezekre vonatkozó figyelmeztetéseket.

! Figyelmesen olvassa el az utasításokat: fontos információkat tartalmaznak az üzembe helyezésről, a használatról és a biztonságról.

Kicsomagolás és vízszintbe állítás

Kicsomagolás

1. Csomagolja ki a mosógépet.
2. Ellenőrizze, hogy a mosógép nem sérült-e meg a szállítás során. Ha a gépen sérülést talál, ne csatlakoztassa, és forduljon a viszonteladóhoz.



3. Csavarozza ki a gép hátsó részén található, a szállításhoz szükséges 4 védőcsavart, és távolítsa el a gumibakot (lásd ábra).

4. Zárja le a furatokat a mellékelt műanyag dugókkal.

5. Minden darabot

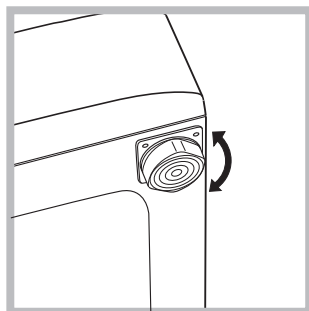
őrizzen meg: ha a mosógépet szállítani kell, előtte ezeket vissza kell szerelni.

! A csomagolóanyag nem gyermekjáték!

! Amennyiben a készüléket meg kívánja dönteni vagy át kívánja helyezni, a belső alkatrészek épsége érdekében előtte mindig szerelje vissza a csavarokat, a gumibakot és a távtartót az A és B pontban. A műveletet követően ne felejtse el leszerelni őket.

Vízszintbe állítás

1. A mosógépet sík és kemény padlóra állítsa, úgy, hogy ne érjen falhoz, bútorhoz vagy másához.

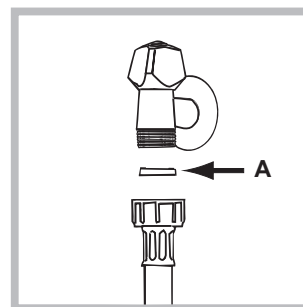


2. Ha a padló nem tökéletesen vízszintes, azt az első lábak be-, illetve kicsavarásával kompenzálhatja (lásd ábra). A gép felső burkolatán mért dőlés nem haladhatja meg a 2°-ot.

A pontos vízszintezés biztosítja a gép stabilitását, így az a működés során nem fog rezegni, zajt okozni, illetve elmozdulni. Szőnyegpadló vagy szőnyeg esetén a lábakat úgy állítsa be, hogy a mosógép alatt elegendő hely maradjon a szellőzésre.

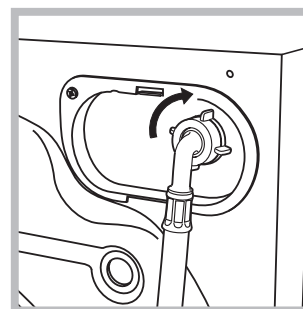
Víz- és elektromos csatlakozás

Vízbevezető cső csatlakoztatása



1. Illessze az A tömitést a vízbevezető cső végére és csavarozza fel a 3/4"-os külső menettel rendelkező hidegvíz csapra (lásd ábra).

A csatlakoztatás előtt eresszen ki a csapból vizet addig, amíg a víz teljesen átlátszóvá nem válik.



2. A vízbevezető cső csatlakoztatásához csavarozza a csövet a mosógép hátoldalán jobbra fent található vízbemeneti csonkra (lásd ábra)!

3. Ügyeljen arra, hogy a csövön ne legyen törés vagy szűkület!

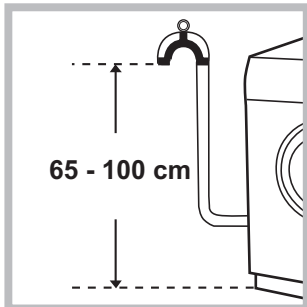
! A csap víznyomásának a műszaki adatok táblázatában szereplő határértékek között kell lennie (lásd a szemben lévő oldalt).

! Amennyiben a vízbevezető cső nem elég hosszú, forduljon szaküzlethez vagy engedéllyel rendelkező szakemberhez.

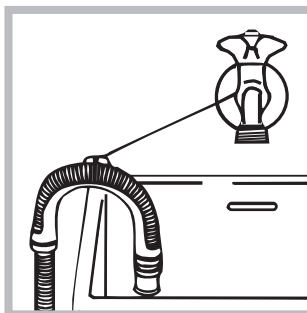
! Soha ne használjon korábban már használt csöveket.

! Használja a készülékhez mellékelteket.

A leeresztőcső csatlakoztatása



Csatlakoztassa a leeresztőcsövet a lefolyóhoz vagy a padlótól 65 és 100 cm közötti magasságban lévő fali szifonhoz anélkül, hogy megtörné;



illetve akassza a mosdó vagy a kád szélére úgy, hogy a mellékelt csővezető ívet a csaphoz erősíti (lásd ábra). A leeresztőcső szabad végének nem szabad vízbe merülnie.

! Toldások használata nem javasolt. Amennyiben feltétlenül szükséges, a toldás átmérője egyezzen meg az eredeti csőével és semmiképpen se legyen 150 cm-nél hosszabb.

Elektromos csatlakoztatás

Mielőtt a csatlakozódugót az aljzatba dugná, bizonyosodjon meg arról, hogy:

- az aljzat földelése megfelel a törvény által előírtak;
- az aljzat képes elviselni a készülék műszaki adatait tartalmazó táblázatban megadott maximális teljesítményfelvételt (lásd szemben);
- a hálózat feszültsége a műszaki adatokat tartalmazó táblázatban szereplő értékek közé esik (lásd szemben);
- az aljzat kompatibilis a mosógép csatlakozódugójával. Ellenkező esetben cserélje ki az aljzatot vagy a csatlakozódugót!

! A mosógép nem állítható fel nyílt téren, még akkor sem, ha tető van fölötte, mivel nagyon veszélyes, ha a gép esőnek vagy zivataroknak van kitéve.

! A csatlakozódugónak a mosógép üzembe helyezett állapotában is könnyen elérhető helyen kell lennie.

! Ne használjon hosszabbítót vagy elosztót.

! A kábel ne legyen se megtörve, se összenyomva.

! A tápkábelt csak engedéllyel rendelkező szakember cserélheti.

Figyelem! A fenti előírások figyelmen kívül hagyása esetén a gyártó elhárít minden felelősséget.

Első mosási ciklus

Üzembe helyezés után – mielőtt a mosógépet használni kezdené – mosószerrel, mosandó ruha nélkül futtassa le az 2-es mosási programot.

Műszaki adatok

Modell IWUD 41051

Méretetek szélesség 59,5 cm
magasság 85 cm
mélység 33 cm

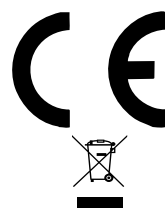
Ruhatöltet: 1-től 4 kg-ig

Elektromos csatlakozás lásd a készüléken található, műszaki jellemzőket tartalmazó adattáblát!

Vízcsatlakozások maximális nyomás 1 MPa (10 bar)
minimális nyomás 0,05 MPa (0,5 bar)
dob úrtartalma 27 lite

Centrifuga fordulatszám 1000 fordulat/perc-ig

Az 1061/2010 és 1015/2010 rendeletek szerinti vízsgálati programok.
2. program: normál 60°C-os pamutprogram.
3. program: normál 40°C-os pamutprogram.



Ez a berendezés megfelel a következő Uniós Előírásoknak:
- 2004/108/CE előírás (Elektromágneses összeférhetőség)
- 2012/19/EU
- 2006/95/CE (Alacsony feszültség)

Karbantartás és ápolás

HU

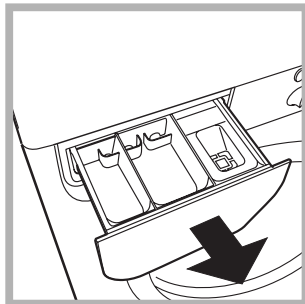
A víz elzárása és az elektromos áram kikapcsolása

- Minden mosás után zárja el a vízcsapot. Így kíméli a mosógép vízrendszerét és megszünteti a vízszivárgás kockázatát.
- A mosógép tisztításakor, illetve karbantartásakor húzza ki a hálózati csatlakozódugót az aljzatból.

A mosógép tisztítása

A külső részeket és a gumirészeket langyos, szappanos vizes ronggyal tisztíthatja. Ne használjon oldószert vagy súrolószert!

A mosószer-adagoló fiók tisztítása



A fiók felemelésével és kifelé húzásával vegye ki a fiókot (lásd ábra).

Folyó víz alatt mossa ki! Ezt a tisztítást gyakran el kell végezni.

Az ajtó és a forgódob ápolása

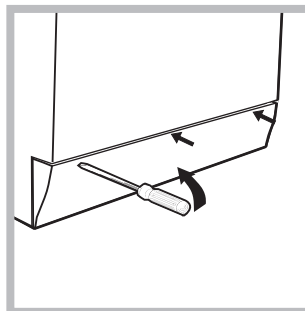
- Az ajtót hagyja mindig részre nyitva, nehogy rossz szagok keletkezzenek.

A szivattyú tisztítása

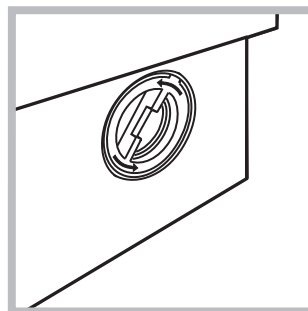
A mosógép öntisztító szivattyúval van felszerelve, melynek nincs szüksége tisztítási és karbantartási műveletre. Előfordulhat azonban, hogy apró tárgyak (aprópénz, gomb) esnek a szivattyú alsó részén található szivattyúvédő előkamrába.

! Győződjön meg róla, hogy a mosóprogram véget ért, és húzza ki a hálózati csatlakozót.

Az előkamrához való hozzáférés érdekében tegye a következőket:



1. Egy csavarhúzó segítségével távolítsa el a burkolópanelt a készülék elejéről (lásd ábra);



2. Órairánnyal elmentétesen forgatva csavarja le a fedelet (lásd ábra). Természetes, hogy egy kevés víz kifolyik;

3. Gondosan tisztítsa ki az üreg belsejét;
4. Csavarja vissza a fedelet;
5. Szerelje vissza a panelt – mielőtt a gép felé nyomná, győződjön meg arról, hogy a horgok a hozzájuk tartozó furatokba illeszkednek.

A vízbevezető cső ellenőrzése

Évente legalább egyszer ellenőrizze a vízbevezető csövet. Ha repedezett vagy hasadozott, ki kell cserélni – a mosás során a nagy nyomás hirtelen szakadást okozhat.

! Soha ne használjon korábban már használt csöveket.

! A mosógép a nemzetközi biztonsági szabványoknak megfelelően lett tervezve és gyártva. Ezeket a figyelmeztetéseket biztonsági okokból írjuk le, kérjük, olvassa el őket figyelmesen!

Általános biztonság

- Ez a készüléket háztartási használatra lett tervezve.
- Ezt a készüléket a 8 éves kort betöltött gyermekek, valamint a testileg, érzékszervileg vagy szellemileg korlátozott, nem hozzáértő, illetve a terméket nem ismerő személyek csak megfelelő felügyelet mellett, vagy a készülék biztonságos használatával kapcsolatos alapvető utasítások és a kapcsolódó veszélyek ismeretében használhatják. A gyerekek nem játszhatnak a készülékkel. A karbantartási és tisztítási munkálatokat felügyelet nélkül hagyott gyerekek nem végezhetik.
- Ne érjen a géphez mezítláb, illetve vizes vagy nedves kézzel vagy lábbal!
- A csatlakozódugót az aljzatból ne a kábelnél, hanem a csatlakozónál fogva húzza ki!
- Működés közben ne nyissa ki a mosószer-adagoló fiókot.
- Ne nyúljon a leeresztett vízbe, mert forró lehet!
- Semmiképpen ne feszegesse az ajtót: megsérülhet a véletlen nyitást megakadályozó biztonsági retesz.
- Hiba esetén semmiképpen se nyúljon a gép belső részeihez, és ne próbálja megjavítani!
- Mindig ügyeljen arra, hogy gyermekek ne mehessenek a működő gép közelébe.
- A mosás során az ajtó meleg lehet.
- Amennyiben a gépet át kell helyezni, az áthelyezést két vagy három személy végezze, maximális odafigyeléssel. Soha ne próbálja egyedül elmozdítani, mert a készülék nagyon nehéz.
- A mosandó berakása előtt ellenőrizze, hogy a forgódob üres-e.

Hulladékelhelyezés

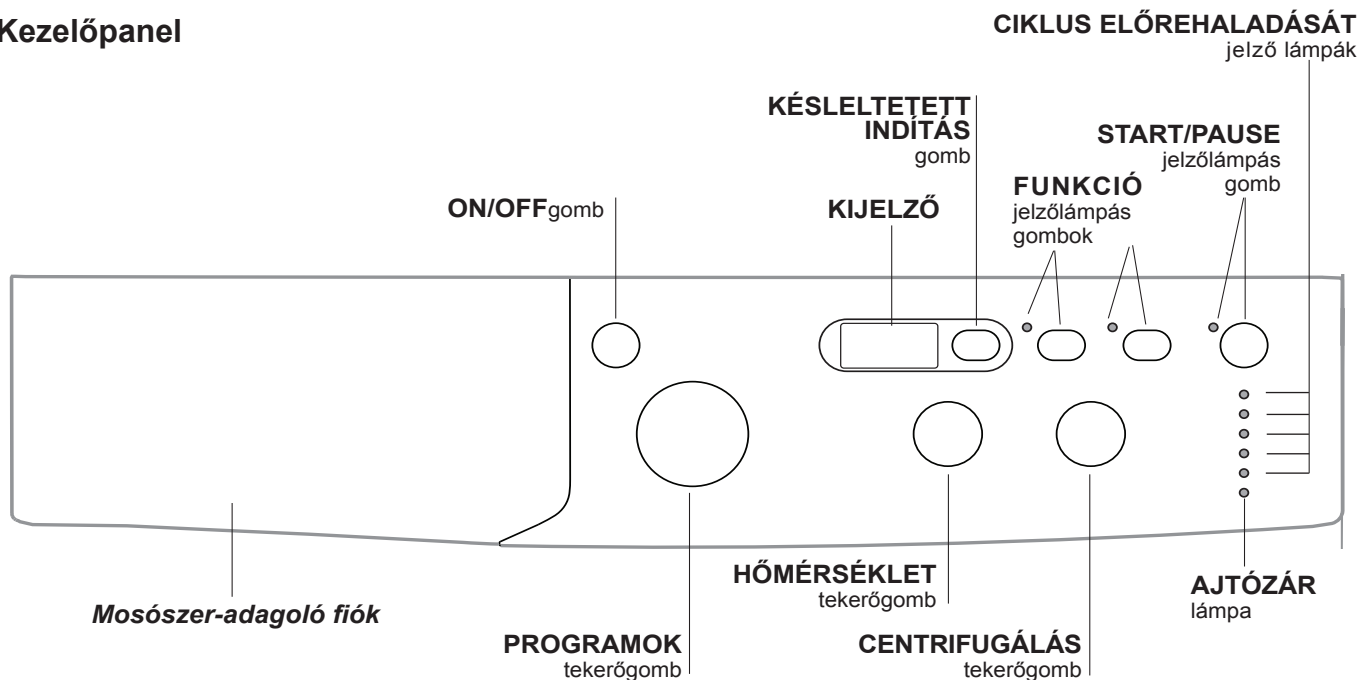
- A csomagolóanyag megsemmisítése: tartsa be a helyi előírásokat, így a csomagolás újrahasznosítható.
- Az elektromos készülékek megsemmisítéséről szóló európai direktíva 2012/19/EU előírja, hogy a régi háztartási gépeket nem szabad a normál nem szelektív hulladékgyűjtési folyamat során összegyűjteni. A régi gépeket szelektíven kell összegyűjteni, hogy optimalizálni lehessen a bennük lévő anyagok újrahasznosítását és csökkenteni lehessen az emberi egészségre és környezetre gyakorolt hatásukat. Az áthúzott "szemeteskuka" jele emlékezteti Önt arra, hogy kötelessé-

ge ezeket a termékeket szelektíven összegyűjteni. A fogyasztóknak a helyi hatóságot vagy kereskedőt kell felkeresniük a régi háztartási gépek helyes elhelyezését illetően.

A mosógép leírása és program elindítása

HU

Kezelőpanel



Mosószer-adagoló fiók: a mosószerek és adalékok betöltésére szolgál (lásd „Mosószerek és mosandók”).

ON/OFF gomb: a mosógép be-, illetve kikapcsolására szolgál.

PROGRAMOK tekerőgomb: a programok beállítására szolgál. A program lefutása alatt a tárcsa nem mozdul.

FUNKCIÓ jelzőlámpás gombok: a lehetséges funkciók kiválasztására szolgál. A kiválasztott funkció jelzőlámpája égve marad.

CENTRIFUGÁLÁS tekerőgomb: a centrifugálás bekapcsolására, illetve kikapcsolására szolgál (lásd „Egyéni beállítások”).

HŐMÉRSÉKLET tekerőgomb: a hőmérséklet, illetve a hideg vizes mosás beállítására szolgál (lásd „Egyéni beállítások”).

KIJELZŐ: a rendelkezésre álló programok hosszának, illetve elindított ciklus esetén a program végéig hátralévő maradékidőnek a megjelenítésére szolgál. **KÉSLELTETETT INDÍTÁS** beállítása esetén a kiválasztott program elindulásáig hátralévő időt jeleníti meg.

KÉSLELTETETT INDÍTÁS gomb: a kiválasztott program késleltetett elindításához nyomja meg ezt a gombot. A késleltetés értéke megjelenik a kijelzőn.

CIKLUS ELŐREHALADÁSÁT jelző lámpák: a mosási program előrehaladásának követésére szolgál. Az égő lámpa az éppen folyamatban lévő fázist jelzi.

AJTÓZÁR lámpa: az ajtó kinyithatóságának jelzésére szolgál (lásd a szemben lévő oldalt).

START/PAUSE jelzőlámpás gomb: a programok elindítására, illetve pillanatnyi megszakítására szolgál. Megjegyzés: A folyamatban lévő mosás szüneteltetéséhez nyomja meg ezt a gombot – a vonatkozó jelzőlámpa narancssárga fénnel fog villogni, míg a folyamatban lévő fázist jelző lámpa folyamatos fénnel világítani fog. Ha az **AJTÓZÁR lámpa** nem világít, kinyithatja az ajtót. A mosásnak a megszakítás időpontjától való folytatásához nyomja meg ismét ezt a gombot.

Készenléti üzemmód

Ez a mosógép - az energiatakarékosságra vonatkozó legújabb előírásoknak megfelelően - automatikus kikapcsolási (készenléti) rendszerrel van ellátva, mely a használat megadott 30 percnyi szüneteltetése esetén bekapcsol. Nyomja meg röviden a BE/KI gombot, és várjon, amíg a készülék újrabekapcsol.

Jelzőlámpák

A jelzőlámpák fontos információkat közvetítenek. Ezek a következők:

Folyamatban lévő fázis jelzőlámpái

A kívánt mosási ciklus kiválasztása és elindítása után a jelzőlámpák a program előrehaladásának megfelelően, egymás után kigyulladnak.

Mosás	● 
Öblítés	● 
Centrifugálás	● 
Ürítés	● 
Mosás vége	● END

Funkciógombok és az azokhoz tartozó lámpák

A Kívánt funkció kiválasztásakor a megfelelő jelzőlámpa kigyullad.


Ha a kiválasztott funkció a beállított programmal nem fér össze, a megfelelő jelzőlámpa villogni kezd, és a funkció nem lesz bekapcsolva.

Ha a kiválasztott funkció egy korábban beállított programmal nem kompatibilis, az elsőként kiválasztott funkció lámpája villogni kezd, és csak a második funkció lesz bekapcsolva, a bekapcsolt funkció lámpája folyamatosan világít.

Ajtózár lámpa

A világító jelzőlámpa azt jelzi, hogy a véletlen nyitás megakadályozása érdekében az ajtó be van zárva. Az ajtó kinyitásához meg kell várni, hogy a jelzőlámpa kialudjon (várjon kb. 3 percet). Az ajtó menet közbeni kinyitásához nyomja meg az START/PAUSE gombot; ha az AJTÓZÁR lámpa kialudt, kinyithatja az ajtót.

Program elindítása

1. A ON/OFF gomb megnyomásával kapcsolja be a mosógépet. Néhány másodpercre az összes jelzőlámpa bekapcsol, majd kialszik, és az START/PAUSE lámpa villogni kezd.
2. Helyezze be a mosandó ruhákat, és csukja be az ajtót.
3. A PROGRAMOK tekerőgombbal állítsa be a kívánt programot.
4. Állítsa be a mosási hőmérsékletet (lásd „Egyéni beállítások”).
5. Állítsa be a centrifugálás sebességét (lásd „Egyéni beállítások”).
6. Töltsé be a mosószert és adalékanyagokat (lásd „Mosószerek és mosandók”).
7. Válassza ki a kívánt funkciókat.
8. Az START/PAUSE gomb megnyomásával indítsa el a programot, mire a megfelelő jelzőlámpa zöld fénnel világítani kezd. A beállított mosási ciklus törléséhez az START/PAUSE gomb megnyomásával szüneteltesse le a készüléket, és válasszon egy új mosási ciklust.
9. A program végeztével kigyullad a END jelzőlámpa. Amikor az AJTÓZÁR  lámpa kialszik, az ajtót ki lehet nyitni. Vegye ki a mosandó ruhákat, és hagyja az ajtót félig nyitva, hogy a forgódob kiszáradjon. A ON/OFF gomb megnyomásával kapcsolja ki a mosógépet.

Programok

Programtáblázat

Programok	Programleírás	Max. hom. (°C)	Max. sebesség (ford./perc)	Mosószeres			Max. ruhamennyiség (kg)	Maradék nedves-ségtartalom %	Energiafogyasztás kWh	Összes víz lt	Programido
				Elmosás	Mosás	Öblítő					
Hétköznapi programok (Daily)											
1	PAMUT ELOMOSÁS: Erosen szennyezett fehér ruhák.	90°	1000	●	●	●	5	62	1,68	61	145'
2	Normál 60 °C-os pamutprogram (1): Erosen szennyezett fehér és magasabb hőmérsékleten mosható színes ruhák.	60° (Max. 90°)	1000	-	●	●	5	62	0,89	44,4	165'
3	Normál 40 °C-os pamutprogram (2): Enyhén szennyezett fehér és kényes színes ruhák.	40°	1000	-	●	●	5	62	0,80	61	160'
4	SZINTETIKUS: Erosen szennyezett, magasabb hőmérsékleten mosható színes ruhák.	60°	800	-	●	●	3	44	0,70	40	105'
4	SZINTETIKUS (3): Enyhén szennyezett, magasabb hőmérsékleten mosható színes ruhák.	40°	800	-	●	●	3	44	0,47	38	95'
5	SZÍNES PAMUT: Enyhén szennyezett fehér és kényes színes ruhák.	40°	1000	-	●	●	5	62	0,59	48	80'
20° Zone											
6	Normál 20 °C-os pamutprogram: Enyhén szennyezett fehér és kényes színes ruhák.	20°	1000	-	●	●	5	-	-	-	170'
7	Mix Light	20°	800	-	●	●	5	-	-	-	120'
8	20' Refresh	20°	800	-	●	●	1,5	-	-	-	20'
Speciális programok (Special)											
9	SELYEM/FÜGGÖNY: Selyem ruhaneműkhöz, viszkózus anyagokhoz, fehérneműkhöz.	30°	0	-	●	●	1	-	-	-	55'
10	Gyapjú: Gyapjú, kasmír stb. ruhaneműk mosásához.	40°	800	-	●	●	1	-	-	-	65'
11	Jeans	40°	800	-	●	●	2,5	-	-	-	70'
Sport											
12	Sport Intensive	30°	600	-	●	●	2,5	-	-	-	85'
13	Sport Light	30°	600	-	●	●	2,5	-	-	-	60'
14	Sport Shoes	30°	600	-	●	●	Max. 2 par	-	-	-	55'
Részleges programok											
☞	ÖBLÍTÉS	-	1000	-	-	●	5	-	-	-	36'
☞	CENTRIFUGÁLÁS + SZIVATTYÚZÁS	-	1000	-	-	-	5	-	-	-	16'

A kijelzőn megjelenő vagy a kézikönyben feltüntetett ciklusidők szokásos körülmények alapján becsült értékek. A tényleges időt számos tényező befolyásolhatja – pl. a bemeneti víznyomás, a környezeti hőmérséklet, a mosószer mennyisége, a ruhatöltet mennyisége és típusa, a ruhatöltet kiegyensúlyozása, a kiválasztott további opciók.

1) 1061/2010 szabvány szerinti vezérlőprogramok: állítsa be a 2-os programot 60 °C.

Ez a ciklus egy adag, nem különösebben koszos pamut ruhadarabok mosására alkalmas, és ez a leghatékonyabb a víz- és energiafogyasztás szempontjából is. 60 °C-on mosható termékekhez. A mosás tényleges hőmérséklete eltérhet a megjelölt értéktől.

2) 1061/2010 szabvány szerinti vezérlőprogramok: állítsa be a 3-os programot 40 °C.

Ez a ciklus egy adag, nem különösebben koszos pamut ruhadarabok mosására alkalmas, és ez a leghatékonyabb a víz- és energiafogyasztás szempontjából is. 40 °C-on mosható termékekhez. A mosás tényleges hőmérséklete eltérhet a megjelölt értéktől.

A vizsgálószeresek számára:

2) Hosszú pamut program: állítsa be a 3-es programot 40 °C-ra.

3) Szintetikus program mentén: állítsa be a 4-es programot 40 °C-ra.

A **Sport Intensive** programot (12-es program) az nagyon koszos sportruházatok (melegítők, rövid nadrágok stb.) mosására tervezték. A legjobb eredmény érdekében javasoljuk, hogy ne lépje túl a „programtáblázat”-ban feltüntetett maximális töltetet.

A **Sport Light** programot (13-es program) az enyhén koszos sportruházatok (melegítők, rövid nadrágok stb.) mosására tervezték. A legjobb eredmény érdekében javasoljuk, hogy ne lépje túl a „programtáblázat”-ban feltüntetett maximális töltetet. Javasoljuk, hogy használjon folyékony mosószert féladagnak megfelelő adagban.

A **Sport Shoes** programot (14-as program) a sportcipők mosására tervezték. A legjobb eredmény érdekében ne mosson egyszerre 2 párnál többet.

A **20°C-os programok** (20° Zone) jó mosási teljesítményt kínálnak alacsony hőmérsékleten, így energiát takaríthat meg, ami megtakarítást jelent az Ön számára és kíméli a környezetet. A 20°C-os programok minden igényt kielégítenek: **normál 20 °C-os pamutprogram** (6-es program)– Ideális a szennyezett pamut töltetekhez. A 40 C-os mosáséhoz mérhető, akár hideg mosás mellett is elérhető jó teljesítményt egy rendszeres időközönként ismétlődő sebességcsúcsokkal jellemezhető, változó sebességű mechanikus mozgás biztosítja.

Mix Light (7-es program)– Ideális a közepesen szennyezett vegyes töltetekhez (pamut és műszál). Az akár hideg mosás mellett is elérhető jó mosási teljesítményt egy adott hosszúságú közepes szünetekkel megszakított, változó sebességű mechanikus mozgás biztosítja.

20' Refresh (8-es program)– Ez a ciklus ideális az enyhén szennyezett ruhadarabok néhány perc alatti felfrissítéséhez. Mindössze 20 percig tart, így időt és energiát takarít meg. Különböző anyagból készült ruhadarabokat moshat együtt (kivéve gyapjút és selymet), maximum 1,5 kg-ot.

A hőmérséklet beállítása

A mosási hőmérséklet beállításához forgassa el a HŐMÉRSÉKLET tekerőgombot (lásd *Programtáblázat*).

A hőmérsékletet a hideg vízzel történő mosás hőmérséklet-értékéig lehet csökkenteni (☼).

A készülék automatikusan megakadályozza, hogy az egyes programokhoz maximálisan beállíthatónál magasabb fordulatszámra centrifugáljon.

! Kivétel: a 2 program kiválasztása esetén a hőmérséklet egészen 90°C-ig növelhető.

A centrifugálás beállítása

A kiválasztott programhoz tartozó centrifugálás fordulatszámának beállításához forgassa el a CENTRIFUGÁLÁS tekerőgombot.

A különféle programokhoz beállítható maximális fordulatszámok a következők:

Programok	Maximális fordulatszám
Pamut	1000 fordulat/perc
Műszál	800 fordulat/perc
Gyapjú	800 fordulat/perc

A centrifugálás fordulatszáma csökkenthető, vagy a ☼ jelre állítással teljesen kikapcsolható.

A készülék automatikusan megakadályozza, hogy az egyes programokhoz maximálisan megengedett fordulatszámánál magasabban centrifugáljon.

Funkciók

A mosógép különféle mosási funkciói lehetővé teszik a kívánt tisztítás és fehérség elérését.

A funkciók bekapcsolásához tegye a következőket:

1. Nyomja meg a kívánt funkció gombját.
2. A megfelelő jelzőlámpa világítása azt jelzi, hogy a hozzá tartozó funkció be van kapcsolva.

Megjegyzés:

- Ha a kiválasztott funkció a beállított programmal nem fér össze, a megfelelő jelzőlámpa villogni kezd, és a funkció nem lesz bekapcsolva.
- Ha a kiválasztott funkció egy korábban beállított programmal nem kompatibilis, az elsőként kiválasztott funkció lámpája villogni kezd, és csak a második funkció lesz bekapcsolva, a bekapcsolt funkció lámpája folyamatosan világít.


Késleltetett indítás

A kiválasztott program késleltetett indításához nyomogassa a megfelelő gombot addig, míg a késleltetés kívánt értékét el nem éri. Ha a funkció be van kapcsolva, a kijelzőn világít a szimbólum. A késleltetett indítás törléséhez nyomogassa a gombot mindaddig, míg a kijelzőn meg nem jelenik az "OFF" felirat.

EcoTime

Ennek az opciónak a kiválasztásakor a mechanikus mozgás, a hőmérséklet és a vízhasználat kis, pamut és muszálas holmikat tartalmazó töltetre van optimalizálva (lásd *"programtáblázat"*). Az "EcoTime" opció használatával rövidebb idő alatt, víz- és energiatakarékosan moshat. Javasoljuk, hogy használjon folyékony mosószert a töltet mennyiségéhez illo adagban.

Energy Savér

Az  Energy Savér funkció a mosandó ruhák mosóvizének fel nem melegítésével energiát takarít meg – ez előnyös mind a környezet, mind a villanyszámla szempontjából. Valóban, a fokozott teljesítmény és az optimalizált vízfogyasztás kitűnő eredményt biztosít normál ciklus átlagos időtartama alatt. A legjobb mosási eredmény elérése érdekében folyékony mosószert használatát javasoljuk.

Mosószerek és mosandók

HU

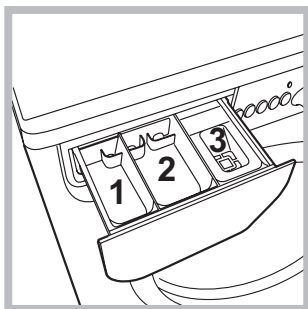
Mosószert adagoló fiók

A mosás eredményessége függ a mosószert helyes adagolásától is: ha túl sokat adagol belőle, a mosás nem lesz hatékonyabb, de hozzájárul ahhoz, hogy lerakódás képződjön a mosógépben, valamint a környezetet is jobban szennyezi.

! Ne használjon kézi mosószert, mert túlzottan sok hab képződik.

! Fehér színű pamut ruhadarabokhoz, előmosáshoz és 60 °C-nál magasabb hőmérsékleten történő mosásokhoz mosóport használjon.

! Kövesse a mosópor csomagolásán feltüntetett utasításokat.



Húzza ki a mosószert adagoló fiókot, és a következők szerint tegye bele a mosószert, illetve az adalékot.

1-es rekesz: Mosószert előmosáshoz (por)

2-es rekesz: Mosószert mosáshoz (por vagy folyadék)

A folyékony mosószert csak az indítás előtt lehet betölteni.

3-as rekesz: Adalékok (öblítők stb.)

Az öblítő ne érjen a rács fölé.

A mosandó ruhák előkészítése

- Oszdályozza a mosandókat a következők szerint:
 - Szövet típusa / címkén lévő szimbólum.
 - Színek Válogassa külön a színes és fehér ruhákat.
- Ürítse ki a zsebeket, és vizsgálja meg a gombokat.
- Ne lépje túl a mosandók száraz tömegére vonatkozóan a "Programtáblázat" megadott értékeit.


Milyen nehezek a mosandó ruhák?

- 1 lepedő: 400–500 g
- 1 párnahuzat: 150–200 g
- 1 asztalterítő: 400–500 g
- 1 fürdőköpeny: 900–1200 g
- 1 törölköző: 150–250 g

Különleges bánásmódot igénylő ruhadarabok

Selyem: az összes selyem ruhadarab mosásához használja az ehhez való, **9-es** programot! A kényesebb ruhaneműkhöz tanácsos speciálisan rájuk kifejlesztett mosószert használni.

Függönyök: hajtogatva tegye párnahuzatba (vászonzsákba) vagy hálós zacskóba. Használja a **9-es** programot.

Gyapjú: A **10-os** programmal gyapjúholmikat lehet mosni, azokat is, melyek címkéjén a „csak kézzel mosható”  utasítás szerepel. A legjobb eredmény elérése érdekében használjon speciális mosószert, és ne lépje túl az 1 kg ruhatöltetet.

Jeans: A mosás előtt fordítsa ki a ruhadarabokat, és használjon folyékony mosószert. Használja a **11-es** programot.

A bepakolt ruhák kiegyensúlyozására szolgáló rendszer

A túlzott zajhatás megelőzésére, valamint a mosandók egyenletes eloszlása érdekében a forgódob a centrifugafázis előtt a mosási centrifugasebességnél kicsit nagyobb sebességre kapcsol. Amennyiben a töltet kiegyensúlyozására irányuló próbálkozások nem vezetnek eredményre, a készülék az elméleti centrifugasebességnél lassabb centrifugálásra kapcsol. Jelentős kiegyensúlyozatlanság esetén a mosógép, centrifugálás előtt megpróbálja a töltetet megfelelően eloszlítani. A töltet megfelelő eloszlásának biztosítása érdekében ajánlatos a nagy ruhaneműket a kicsikkel összekeverni.

Előfordulhat, hogy a mosógép nem működik. Mielőtt felhívna a szervizt (lásd „Szerviz”), ellenőrizze, hogy nem olyan problémáról van-e szó, amely a következő lista segítségével egyszerűen megoldható!

Rendellenességek:

Lehetséges okok / megoldás:

A mosógép nem kapcsol be.

- A hálózati csatlakozódugó nincs bedugva az aljzatba, vagy nem eléggé ahhoz, hogy jól érintkezzen.
- Nincs áram a lakásban.

A mosási ciklus nem indul el.

- A mosógép ajtaja nincs jól bezárva.
- Nem nyomta meg a ON/OFF gombot.
- Nem nyomta meg az START/PAUSE gombot.
- A vízcsap nincs nyitva.
- Az indítás időjelzőjén késletetés lett beállítva – késletetésidőzítő.

A mosógép nem kap vizet (a kijelzőn a “H2O” felirat villog).

- A vízbevezető cső nincs csatlakoztatva a csaphoz.
- A cső meg van törve.
- A vízcsap nincs nyitva.
- A lakásban nincs víz.
- Nincs elegendő nyomás.
- Nem nyomta meg az START/PAUSE gombot.

A mosógép folytonosan szívja, és üríti a vizet.

- A leeresztőcső nem a padlószinttől 65 és 100 cm közötti magasságban van felszerelve (lásd „Üzembe helyezés”).
- A leeresztőcső vége vízbe merül (lásd „Üzembe helyezés”).
- A fali szifonnak nincs szellőzése.

Ha ezen vizsgálatok után a probléma nem oldódik meg, zárja el a vízcsapot, kapcsolja ki a mosógépet, és hívja ki a szervizszolgálatot. Ha a lakás egy épület legfelsőbb emeleteinek egyikén található, lehetséges, hogy a csatornaszellőző eltömődésének jelensége (szivornyahatás) lépett fel, ezért a mosógép folytonosan szívja, és leereszti a vizet. E kellemetlenség elkerülésére a kereskedelmi forgalomban rendelkezésre állnak csatornaszellőző-szelepek.

A mosógép nem üríti le a vizet, vagy nem centrifugál.

- A program nem ereszti le a vizet: néhány programnál a vizet kézzel kell leereszteni.
- A leeresztőcső meg van törve (lásd „Üzembe helyezés”).
- A lefolyó el van dugulva.

A mosógép nagyon rázkódik a centrifugálás alatt.

- Az üzembe helyezéskor a forgódob rögzítése nem lett eltávolítva (lásd „Üzembe helyezés”).
- A készülék nincs vízszintben (lásd „Üzembe helyezés”).
- A mosógép bútorok és falak közé van szorítva (lásd „Üzembe helyezés”).

A mosógépből elfolyik a víz.

- A vízbevezető cső nincs jól felcsavarva (lásd „Üzembe helyezés”).
- A mosószer-adagoló fiók eltömődött (tisztításához lásd „Karbantartás és ápolás”).
- A leeresztőcső nincs szorosan rögzítve (lásd „Üzembe helyezés”).

Az „funkció” lámpák és az „START/PAUSE” lámpa villog, az egyik „folyamatban lévő fázis” lámpa és az „ajtózár” lámpa állandó fényel világít.

- Kapcsolja ki a készüléket, és húzza ki a dugót a konnektorból, várjon körülbelül 1 percet, majd indítsa újra!
Ha a hiba továbbra is fennáll, forduljon a szervizhez!

Sok hab képződik.

- A mosószer nem mosógépekhez való (kell, hogy szerepeljen rajta, hogy „gépi”, „kézi vagy gépi mosáshoz”, vagy hasonló).
- Túl sok mosószert használt.

Mielőtt a szervizhez fordulna:

- Győződjön meg arról, hogy a hibát nem tudja saját maga is elhárítani (lásd „Rendellenességek és elhárításuk”);
- Indítsa újra a programot, hogy lássa, elhárította-e a hibát;
- Ellenkező esetben forduljon az engedéllyel rendelkező szakszervizhez a garanciajegyen található telefonszámon.

! Soha ne forduljon engedéllyel nem rendelkező szerelőhöz!

Közölje:

- a meghibásodás jellegét;
- a mosógép típusát (Mod.);
- a gyártási számot (S/N).

Ezek az adatok a mosógép hátoldalán, illetve az elülső oldalon az ajtó belsején elhelyezett adattáblán található.

A BIZOTTSÁG 1061/2010/EU FELHATALMAZÁSON ALAPULÓ RENDELETE

Márka	INDESIT
Típusazonosító	IWUD 41051 C ECO EU
Előírt kapacitás a pamut kg-jában kifejezve.	4.0
Energiahatékonysági osztály A+++ (alacsony fogyasztás) osztálytól G (magas fogyasztás) osztályig.	A+
Éves energiafogyasztás kWh/év-ben kifejezve. ¹⁾	140.0
A normál 60 °C-os pamutprogram teljes töltet melletti energiafogyasztása kWh-ban. ²⁾	0.77
A normál 60 °C-os pamutprogram részleges töltet melletti energiafogyasztása kWh-ban. ²⁾	0.502
A normál 40 °C-os pamutprogram részleges töltet melletti energiafogyasztása kWh-ban. ²⁾	0.431
Energiafogyasztás kikapcsolt üzemmódban W-ban.	0.5
Energiafogyasztás bekapcsolva hagyott üzemmódban W-ban.	8.0
Éves vízfogyasztás literben. ³⁾	5286
Centrifugálási hatékonysági osztály G osztálytól (alacsony hatékonyság) A osztályig (magas hatékonyság).	C
Maximálisan elérhető centrifugálási sebesség. ⁴⁾	1000
Megmaradó nedvességtartalom. ⁵⁾	62%
Programidő a teljes töltetű „normál 60 °C-os pamutprogramon” percben kifejezve és percre kerekítve.	145
Programidő a részleges töltetű „normál 60 °C-os pamutprogramon” percben kifejezve és percre kerekítve.	115
Programidő a részleges töltetű „normál 40 °C-os pamutprogramon” percben kifejezve és percre kerekítve.	110
A bekapcsolva hagyott üzemmód időtartama.	30
Zajkibocsátás dB(A)-ben kifejezve 1 pW hangteljesítményre vonatkoztatva mosás esetén. ⁶⁾	59
Zajkibocsátás dB(A)-ben kifejezve 1 pW vonatkoztatva centrifugálás esetén. ⁶⁾	79

¹⁾ A „normál 60 °C-os pamutprogram” teljes és részleges töltet mellett és a „normál 40 °C-os pamutprogram” részleges töltet mellett az a normál mosási program, amelyre a címkén és az adatlapon található tájékoztatás vonatkozik. E programok alkalmasak az átlagosan szennyezett pamut ruhanemű mosására, illetve hogy az energia- és vízfogyasztás szempontjából együtt ezek a leghatékonyabb programok. A részleges töltet a felét jelenti az előírt töltetnek.

²⁾ A 60 °C-os és 40 °C-os pamutprogram esetében teljes és részleges töltet mellett 220 normál mosási cikluson és az alacsony villamosenergia-fogyasztású üzemmódokon alapul. A tényleges energiafogyasztás a készülék üzemeltetési módjától függ.

³⁾ A 60 °C-os és 40 °C-os pamutprogram esetében teljes és részleges töltet mellett 220 normál mosási cikluson alapul. A tényleges vízfogyasztás a készülék üzemeltetési módjától függ.

⁴⁾ A normál 60 °C-os pamutprogram esetén teljes és részleges töltet mellett vagy a normál 40 °C-os pamutprogram esetén részleges töltet mellett elért legnagyobb centrifugálási sebesség attól függően, hogy melyik az alacsonyabb.

⁵⁾ A normál 60 °C-os pamutprogram esetén teljes és részleges töltet mellett vagy normál 40 °C-os pamutprogram esetén részleges töltet mellett elért maradék nedvességtartalom attól függően, hogy melyik a nagyobb.

⁶⁾ A normál 60 °C-os pamutprogram mosási és centrifugálási fázisa esetében teljes töltet mellett

RO

Română

IWUD 41051

Sumar

Instalare, 50-51

Despachetare și punere la nivel
Racorduri hidraulice și electrice
Primul ciclu de spălare
Date tehnice

Întreținere și curățare, 52

Înteruperea alimentării cu apă și curent electric
Curățarea mașinii de spălat
Curățarea compartimentului pentru detergent
Îngrijirea ușii și a tamburului
Curățarea pompei
Controlarea furtunului de alimentare cu apă

Precauții și sfaturi, 53

Norme de protecție și siguranță generale
Aruncarea reziduurilor

Descrierea mașinii de spălat și activarea unui program, 54-55

Panoul de control
Indicatoare luminoase
Activarea unui program

Programe, 56

Tabel de programe

Personalizare, 57

Reglarea temperaturii
Reglarea centrifugării
Funcții

Detergenți și rufe albe, 58

Compartimentul pentru detergenți
Pregătirea rufelor
Articole delicate
Sistemul de echilibrare a încărcăturii

Anomalii și remedii, 59

Asistență, 60

Instalare

RO

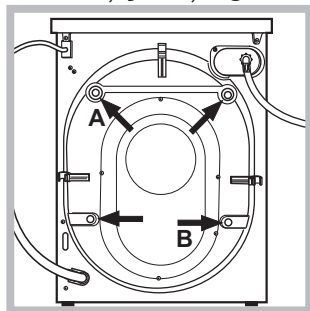
! Este important să păstrați acest manual pentru a-l putea consulta în orice moment. În caz de vânzare, de cesiune sau de schimbare a locuinței, acesta trebuie să rămână împreună cu mașina de spălat pentru a informa noul proprietar cu privire la funcționare și la respectivele avertismente.

! Citiți cu atenție instrucțiunile: veți găsi informații importante cu privire la instalare, la folosire și la siguranță.

Despachetare și punere la nivel

Despachetare

1. Scoaterea din ambalaj a mașinii de spălat.
2. Controlați ca mașina de spălat să nu fi fost deteriorată în timpul transportului. Dacă este deteriorată nu o conectați și luați legătura cu vânzătorul.



3. Scoateți cele 4 șuruburi de protecție pentru transport și cauciucul cu respectivul distanțier, situate în partea posterioară (a se vedea figura).

4. Închideți orificiile cu dopurile din plastic aflate în dotare.

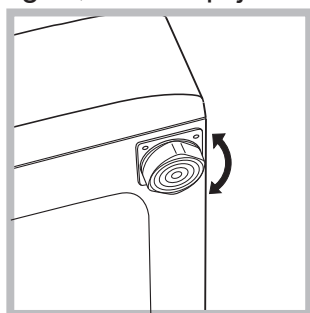
5. Păstrați toate piesele: pentru cazul în care mașina de spălat va trebui să fie transportată, piesele vor trebui montate din nou.

! De fiecare dată când este necesar să înclinați sau să transportați mașina, pentru a păstra în stare bună de funcționare componentele din interior, este necesar să montați șuruburile, cauciucul și distanțierul în pozițiile **A** și **B**. După înclinare sau transport, amintiți-vă să le îndepărtați!

! Ambalajele nu sunt jucării pentru copii!

Punere la nivel

1. Instalați mașina de spălat pe o suprafață plană și rigidă, fără a o sprijini de ziduri, mobilă sau altceva.

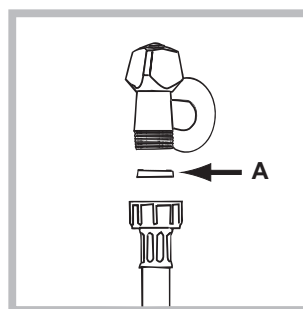


2. Dacă podeaua nu este perfect orizontală, compensați neregularitățile deșurubând sau înșurubând piciorușele anterioare (a se vedea figura); unghiul de înclinare, măsurat pe planul de lucru, nu trebuie să depășească 2°.

O nivelare precisă conferă stabilitate mașinii și evită vibrații, zgomote și deplasări pe timpul funcționării. În cazul mochetelor sau a unui covor, reglați piciorușele astfel încât să mențineți sub mașina de spălat un spațiu suficient pentru ventilare.

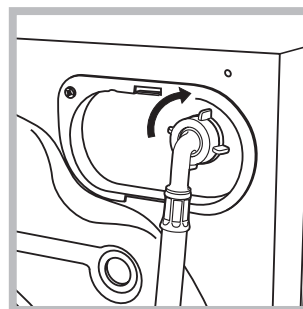
Racorduri hidraulice și electrice

Racordarea furtunului de alimentare cu apă



1. Introduceți garnitura A în extremitatea tubului de alimentare și înșurubați-l la un robinet de apă rece cu gura filetată de l gaz (vezi figura).

Înainte de conectare, lăsați apa să curgă pentru a se limpezi.



2. Conectați tubul de alimentare la mașina de spălat, înșurubându-l la sursa de apă respectivă, amplasată în partea posterioară, sus în dreapta (a se vedea figura).

3. Fiți atenți ca furtunul să nu fie nici pliat nici îndoit.

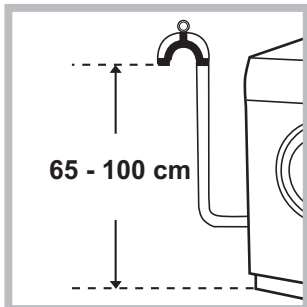
! Presiunea apei de la robinet trebuie să fie cuprinsă în valorile din tabelul Date tehnice (a se vedea pagina alăturată).

! Dacă lungimea furtunului de alimentare nu este suficientă, adresați-vă unui magazin specializat sau unui instalator autorizat.

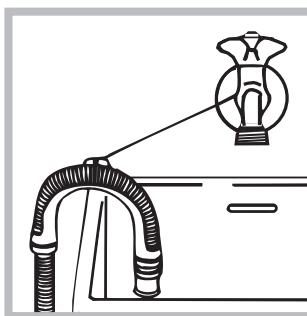
! Nu folosiți niciodată tuburi folosite deja.

! Utilizați tuburile furnizate împreună cu mașina.

Conectarea furtunului de golire



Conectați furtunul de golire - fără a-l îndoi - la canalizare sau la racordul de golire prevăzut pe perete, la o înălțime de 65 - 100 cm de sol;



Sprijiți-l de marginea căzii sau chiuvetei și racordați șina de ghidare din dotare la robinet (*a se vedea figura*). Capătul liber al furtunului de golire nu trebuie să rămână cufundat în apă.

! Nu se recomandă folosirea furtunurilor prelungitoare; dacă este indispensabil, acestea trebuie să aibă același diametru ca și furtunul original și nu trebuie să depășească 150 cm lungime.

Racordarea electrică

Înainte de a introduce stecherul în priză, asigurați-vă ca:

- priza să fie cu împământare și conform prevederilor legale;
- priza să poată suporta sarcina maximă de putere a mașinii, indicată în tabelul Date Tehnice (*a se vedea alături*);
- tensiunea de alimentare să fie cuprinsă în valorile indicate în tabelul Date Tehnice (*a se vedea alături*);
- priza să fie compatibilă cu stecherul mașinii de spălat. În caz contrar înlocuiți stecherul.

! Mașina de spălat nu trebuie instalată afară, nici chiar în cazul în care spațiul este adăpostit, deoarece este foarte periculoasă expunerea mașinii la ploi și furtuni.

! După instalarea mașinii de spălat, priza de curent trebuie să fie ușor accesibilă.

! Nu folosiți prelungitoare și prize multiple.


! Cablul nu trebuie să fie îndoit sau comprimat.

! Cablul de alimentare trebuie să fie înlocuit doar de tehnicieni autorizați ai centrului de service ce apare scris pe certificatul de garanție emis de producător.

Atenție! Producătorul își declină orice responsabilitate în cazul în care aceste norme nu se respectă.

Primul ciclu de spălare

După instalare, înainte de folosire, efectuați un ciclu de spălare cu detergent și fără rufe, selectând programul 2.

Date tehnice	
Model	IWUD 41051
Dimensiuni	lățime 59,5 cm înălțime 85 cm profundime 33 cm
Capacitate	de la 1 la 4 kg
Legături electrice	Vezi placuta cu caracteristicile tehnice, aplicata pe masina.
Legături hidrice	presiune maximă 1 MPa (10 bari) presiune minimă 0,05 MPa (0,5 bari) capacitatea cuvei 27 litri
Viteza de centrifugare	până la 1000 de rotații pe minut
Programe de control conform directivelor 1061/2010 și 1015/2010	Programul 2: program standard la 60°C pentru rufe din bumbac. Programul 3: program standard la 40°C pentru rufe din bumbac.
	Acest aparat este conform cu următoarele Directive Comunitare: - 2004/108/CE (Compatibilitate Electromagnetică) - 2006/95/CE (Tensiuni Joase) - 2012/19/EU

Întreținere și curățare

RO

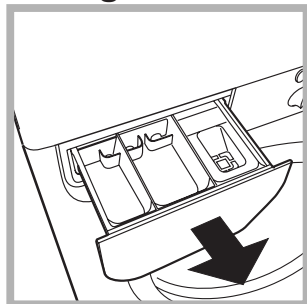
Înteruperea alimentării cu apă și curent electric

- Închideți robinetul de apă după fiecare spălare. Se limitează astfel uzura instalației hidraulice a mașinii de spălat și se elimină pericolul scurgerilor.
- Scoateți stecherul din priza de curent atunci când curățați mașina de spălat și când se efectuează lucrări de întreținere.

Curățarea mașinii de spălat

Partea externă și părțile din cauciuc pot fi curățate cu o lavetă înmuiată în apă caldută și săpun. Nu folosiți solvenți sau substanțe abrazive.

Curățarea compartimentului pentru detergent



Trageți afara compartimentul ridicându-l și tragându-l spre exterior (a se vedea figura). Spălați-l sub un jet de apă; această operație trebuie efectuată cât mai des posibil.

Îngrijirea ușii și a tamburului

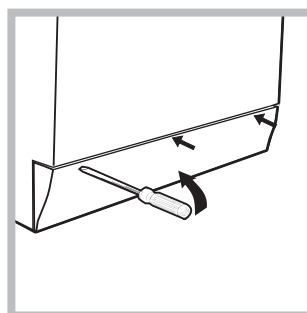
- Lăsați mereu ușa întredeschisă pentru a evita formarea de mirosuri neplăcute.

Curățarea pompei

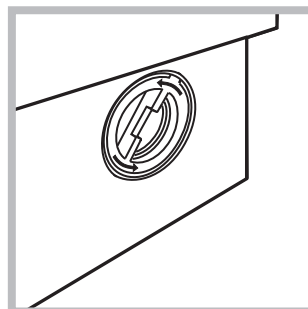
Mașina de spălat este dotată cu o pompă de autocurățare care nu are nevoie de întreținere. Se poate întâmpla însă ca unele obiecte mici (monede, nasturi) să cadă în anticamera care protejează pompa, situată în partea inferioară a acesteia.

! Verificați ca ciclul de spălare să fie încheiat și scoateți stecherul din priză.

Pentru a avea acces la anticameră:



1. scoateți panoul de acoperire din partea din față a mașinii de spălat folosind o șurubelniță (a se vedea figura);



2. deșurubați capacul rotindu-l în sens invers acelor de ceasornic (a se vedea figura). Este normal să iasă puțină apă;

3. curățați cu grijă interiorul;
4. înșurubați la loc capacul;
5. montați din nou panoul verificând, înainte de a-l împinge spre mașină, de a fi introdus cârligele în orificiile respective.

Controlarea furtunului de alimentare cu apă

Controlați tubul de alimentare cel puțin o dată pe an. Dacă prezintă crăpături sau fisuri trebuie înlocuit: pe parcursul spălărilor, presiunea puternică ar putea provoca crăpături neașteptate.

! Nu folosiți niciodată tuburi folosite deja.

! Mașina de spălat a fost proiectată și construită conform normelor internaționale de protecție. Aceste avertizări sunt furnizate din motive de siguranță și trebuie să fie citite cu atenție.

Norme de protecție și siguranță generale

- Acest aparat a fost conceput exclusiv pentru utilizarea în locuințe unifamiliale.
- Aparatul poate fi folosit de copii începând cu vârsta de 8 ani și de persoane cu capacități fizice, senzoriale sau mentale reduse sau cu experiență și cunoștințe insuficiente dacă sunt supravegheate sau dacă au primit o pregătire adecvată privind folosirea aparatului în mod sigur și înțelegând pericolele respective. Copiii nu trebuie să se joace cu aparatul. Întreținerea și curățarea nu trebuie să fie efectuate de copii fără supraveghere.
- Nu atingeți mașina când sunteți desculți sau cu mâinile sau picioarele ude sau umede.
- Nu scoateți stecherul din priză trăgând de cablu.
- Nu deschideți compartimentul pentru detergent în timp ce mașina se află în funcțiune.
- Nu atingeți apa goliță din mașină: poate avea o temperatură ridicată.
- Nu forțați în nici un caz ușa: s-ar putea deteriora mecanismul de siguranță care evită deschiderea accidentală.
- În caz de defecțiune, nu umblați în nici un caz la mecanismele din interior și nu încercați să o reparați singuri.
- Controlați mereu ca în apropierea mașinii aflate în funcțiune, să nu se afle copii.
- Pe durata spălării ușa se poate încălzi.
- Dacă trebuie să deplasați mașina, cereți ajutor unei alte (sau 2) persoane și fiți foarte atenți. Niciodată nu deplasați mașina singuri deoarece aceasta este foarte grea.
- Înainte de a introduce rufele, controlați cuva să fie goală.

Aruncarea reziduurilor

- Eliminarea ambalajelor: respectați normele locale, în acest fel ambalajele vor putea fi utilizate din nou.
- Directiva Europeană 2012/19/EU cu privire la deșeurile care provin de la aparatura electrică sau electronică prevede ca aparatele electrocasnice să nu fie colectate împreună cu deșeurile urbane solide, obișnuite. Aparatele scoase din uz trebuie să fie colectate separat atât pentru a optimiza rata de recuperare și de reciclare a materialelor componente cât și pentru a evita pericolele care pot duce la dăunarea sănătății omului sau poluarea mediului înconjurător. Simbolul tomberonului tăiat care apare pe toate produsele vă amintește tocmai obligația de a le colecta separat.

Pentru informații suplimentare cu privire la scoaterea din uz a electrocasnicilor, deținătorii acestora pot apela la centrele de colectare a deșeurilor sau la vânzătorii de la care au achiziționat produsele respective.

Atenționări în conformitate cu legislația în vigoare

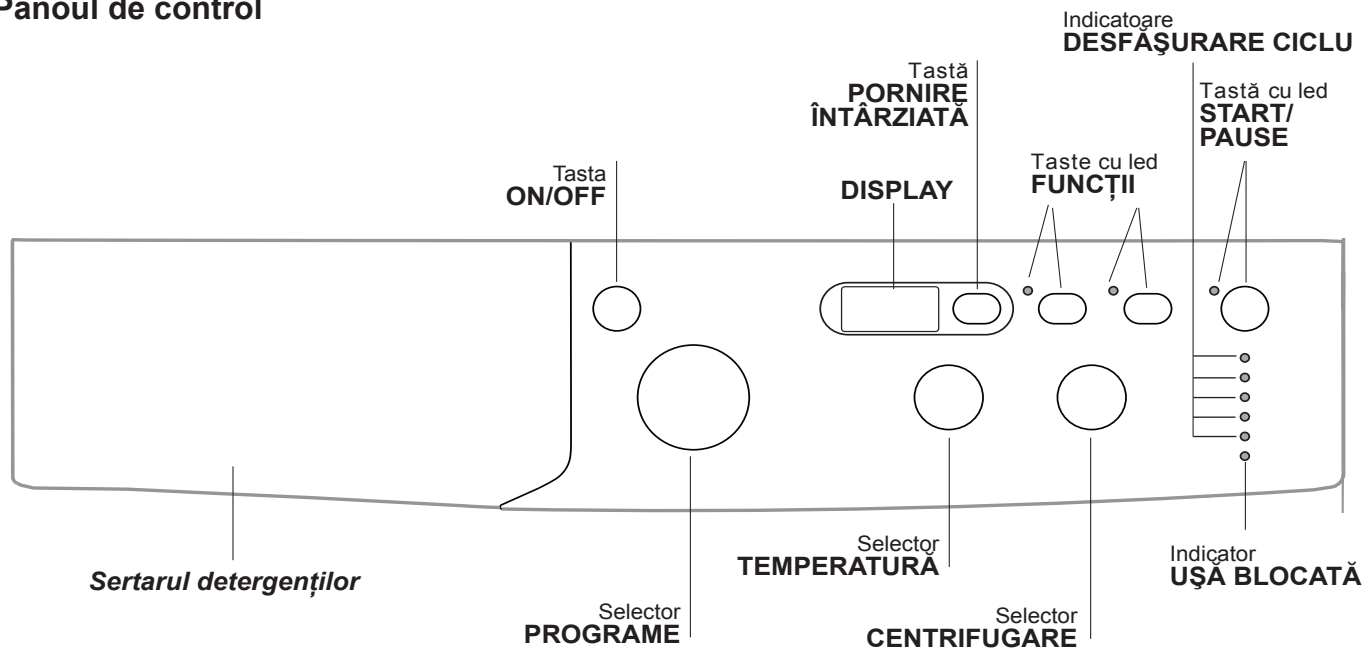
- Conform prevederilor legislației privind gestionarea deșeurilor, este interzisă eliminarea deșeurilor de echipamente electrice și electronice (DEEE) alături de deșeurile municipale nesortate. Ele trebuie predate la punctele municipale de colectare, societățile autorizate de colectare/reciclare sau distribuitori (în cazul în care se achiziționează echipamente noi de același tip).
- Autoritățile locale trebuie să asigure spațiile necesare pentru colectarea selectivă a deșeurilor precum și funcționalitatea acestora. Contactați societatea de salubritate sau compartimentul specializat din cadrul primăriei pentru informații detaliate.
- Deșeurile de echipamente electrice și electronice pot fi predate și distribuitorilor, la achiziționarea de echipamente noi de același tip (schimb 1 la 1).
- Predarea, de către utilizatori, a deșeurilor de echipamente electrice și electronice, la punctele de colectare municipale, societățile autorizate de colectare/reciclare sau distribuitori (în cazul în care se achiziționează echipamente noi de același tip) facilitează re folosirea, reciclarea sau alte forme de valorificare a acestora.
- Deșeurile de echipamente electrice și electronice pot conține substanțe periculoase care pot avea un impact negativ asupra mediului și sănătății umane în cazul în care DEEE nu sunt colectate selectiv și gestionate conform prevederilor legale.
- Simbolul alăturat (o pubela cu roți, barata cu două linii în forma de X), aplicat pe un echipament electric sau electronic, semnifică faptul că acesta face obiectul unei colectări separate și nu poate fi eliminat împreună cu deșeurile municipale nesortate.



Descrierea mașinii de spălat și activarea unui program

RO

Panoul de control



Sertarul detergenților: pentru a introduce detergenți sau aditivi (a se vedea "Detergenți și rufe albe").

Tasta ON/OFF: pentru a porni și opri mașina.


Selector PROGRAME: pentru a selecta programele. Pe durata desfășurării programului selectorul rămâne în aceeași poziție.

Taste cu led FUNCȚII: pentru a selecta funcțiile disponibile. Indicatorul corespunzător funcției alese va rămâne aprins.

Selector CENTRIFUGARE: pentru a activa / anula centrifugarea (a se vedea "Personalizare").

Selector TEMPERATURĂ: pentru a selecta temperatura sau spălarea la rece (a se vedea "Personalizare").

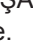
DISPLAY: pentru a afișa durata diferitelor programe la dispoziție și a celui restant, în cazul unui ciclu de spălare deja în desfășurare; dacă a fost programat un interval de PORNIRE ÎNTÂRZIATĂ, este afișat intervalul restant până la pornirea programului selectat.

Tastă PORNIRE ÎNTÂRZIATĂ : apăsați pentru a programa pornirea mașinii la o anumită oră. Întârzierea va fi indicată pe display.

Indicatoare DESFĂȘURARE CICLU: pentru a putea urmări avansarea programului de spălare. Indicatorul aprins arată faza în curs de desfășurare.

Indicador UȘĂ BLOCATĂ: pentru a înțelege dacă ușa se poate deschide sau nu (a se vedea pag. alăturată).

Tastă cu led START/PAUSE: pentru a activa / opri momentan programele.

N.B.: pentru a întrerupe momentan un ciclu apăsați această tastă; ledul se va aprinde intermitent (culoare portocalie) în timp ce ledul corespunzător fazei în curs de desfășurare va rămâne aprins. Dacă indicatorul UȘĂ BLOCATĂ  este stins, atunci ușa se poate deschide. Pentru a continua spălarea, de unde a fost întreruptă, apăsați din nou tasta.

Modalitatea de stand by


Această mașină de spălat rufe, conform noilor norme legate de economia de curent electric, este dotată cu un sistem de oprire automat (stand-by) care intră în funcțiune după 30 minute de neutilizare. Apăsați scurt tasta ON/OFF și așteptați repunerea în funcțiune a mașinii.

Indicatoare luminoase

Ledurile furnizează informații importante. Iată ce indică:

Indicatoare de fază

După alegerea și activarea ciclului dorit, indicatoarele luminoase se vor aprinde unul după altul, ceea ce vă indică starea de avansare a programului:

Spălare	
Clătire	
Centrifugă	
Golire	
Sfârșit Spălare	

Tastele de funcții și ledurile corespunzătoare

Alegerea unei funcții implică aprinderea ledului corespunzător.


Dacă funcția selectată nu este compatibilă cu programul ales, ledul corespunzător se va aprinde intermitent iar funcția nu se va activa.

Dacă funcția aleasă nu este compatibilă cu o funcție selectată anterior, indicatorul care corespunde primei funcții va emite un semnal intermitent iar indicatorul celei de a doua se va aprinde: acest lucru înseamnă că se va activa numai a doua funcție (ultima aleasă).

Indicator ușă blocată:

Aprinderea ledului indică faptul că hubloul s-a blocat, pentru a împiedica deschiderea sa; pentru a putea deschide hubloul, așteptați aproximativ 3 minute, până la stingerea ledului. Pentru a deschide hubloul în timpul executării unui ciclu, apăsați tasta PORNIRE/PAUZĂ; dacă ledul UȘĂ BLOCATĂ este stins, atunci puteți deschide hubloul.

Activarea unui program

1. Porniți mașina de spălat apăsând pe tasta ON/OFF. Toate indicatoarele se aprind câteva secunde, apoi se sting; indicatorul START/PAUSE se va aprinde intermitent.
2. Introduceți rufe și închideți ușa.
3. Selectați programul dorit cu ajutorul selectorului de PROGRAME.
4. Reglați temperatura de spălare (a se vedea "Personalizare").
5. Reglați viteza de centrifugare (a se vedea "Personalizare").
6. Adăugați detergentul și aditivii (a se vedea "Detergenți și rufe").
7. Alegeți funcțiile dorite.
8. Activați programul apăsând tasta START/PAUSE; indicatorul luminos se va aprinde (culoare verde). Pentru a anula un ciclu selectat, apăsați tasta START/PAUSE pentru a întrerupe momentan ciclul și alegeți un nou program.
9. La încheierea programului, indicatorul luminos END se va aprinde. După stingerea ledului corespunzător avertizării de UȘĂ BLOCATĂ , este posibilă deschiderea hubloului. Scoateți rufe și lăsați ușa întredeschisă pentru a se putea usca cuva și tamburul. Opriti mașina de spălat apăsând pe tasta ON/OFF.

Programe

RO

Tabel de programe

Programe	Descrierea Programului	Temp. max. (°C)	Viteza max. (rotații pe minut)	Detergenți			Sarcina Max. (kg)	Umiditate reziduală %	Consum energie kWh	Apă totală lt	Durata ciclului de spălare
				Pre-spălare	Spălare	Balsam rufe					
Programe zilnice (Daily)											
1	PRESPALARE BUMBAC: Rufe albe foarte murdare.	90°	1000	●	●	●	4	62	1,46	44	140'
2	Program standard la 60°C pentru rufe din bumbac (1): Albe și colorate rezistente foarte murdare.	60° (Max. 90°)	1000	-	●	●	4	62	0,77	30,6	145'
3	Program standard la 40°C pentru rufe din bumbac (2): Albe și colorate delicate puțin murdare.	40°	1000	-	●	●	4	62	0,66	44	140'
4	SINTETICE: Colorate rezistente foarte murdare.	60°	800	-	●	●	2	42	0,67	26	95'
4	SINTETICE (3): Colorate delicate puțin murdare.	40°	800	-	●	●	2	42	0,42	27	85'
5	COLORATE BUMBAC: Albe puțin murdare și colorate delicate.	40°	1000	-	●	●	4	62	0,65	32	85'
20° Zone											
6	Program standard la 20°C pentru rufe din bumbac: Albe și colorate delicate puțin murdare.	20°	1000	-	●	●	4	-	-	-	160'
7	Mix Light	20°	800	-	●	●	4	-	-	-	105'
8	20' Refresh	20°	800	-	●	●	1,5	-	-	-	20'
Programe Speciale (Special)											
9	MĂTASE /PERDELE: Pentru articolele din mătase, viscoză, lenjerie.	30°	0	-	●	●	1	-	-	-	50'
10	LĂNĂ: Pentru articolele din lână, cașmir.	40°	800	-	●	●	1	-	-	-	55'
11	JEANS	40°	800	-	●	●	1,5	-	-	-	70'
Sport											
12	Sport Intensive	30°	600	-	●	●	1,5	-	-	-	80'
13	Sport Light	30°	600	-	●	●	1,5	-	-	-	55'
14	Sport Shoes	30°	600	-	●	●	(Max 2 perechi.)	-	-	-	50'
Programe parțiale											
	CLĂTIRE	-	1000	-	-	●	4	-	-	-	36'
	CENTRIFUGARE + EVACUARE	-	1000	-	-	-	4	-	-	-	16'

Durata ciclului indicată pe display sau în carte este calculată în baza unor condiții standard. Timpul efectiv poate varia în baza a numeroși factori, precum temperatura și presiunea apei la intrare, temperatura mediului, cantitatea de detergent, cantitatea și tipul încărcăturii, echilibrarea încărcăturii, opțiunile suplimentare selectate.

1) Programul de control conform normei 1061/2010: selectați programul 2 și temperatura de 60°C.

Acest ciclu este potrivit pentru curățarea unei încărcături de bumbac cu grad de murdărie normal și este cel mai eficient din punct de vedere al consumului combinat de energie și apă; se folosește pentru articole de îmbrăcăminte care pot fi spălate la 60°C. Temperatura efectivă de spălare poate diferi de cea indicată.

2) Programul de control conform normei 1061/2010: selectați programul 3 și temperatura de 40°C.

Acest ciclu este potrivit pentru curățarea unei încărcături de bumbac cu grad de murdărie normal și este cel mai eficient din punct de vedere al consumului combinat de energie și apă; se folosește pentru articole de îmbrăcăminte care pot fi spălate la 40°C. Temperatura efectivă de spălare poate diferi de cea indicată.

Pentru toate Instituțiile de Testare:

2) Program pentru bumbac, prelungit: selectați programul 3 și temperatura de 40°C.

3) Program sintetic de-a lungul: selectați programul 4 și temperatura de 40°C.

Sport Intensive (programul 12) a fost studiat pentru spălarea țesăturilor utilizate la confecționarea hainelor sportive (echipamente, pantaloni scurți etc.) foarte murdare; pentru cele mai bune rezultate, se recomandă să nu depășiți cantitatea maximă admisă indicată în „Tabel de programe”.

Sport Light (programul 13) a fost studiat pentru spălarea țesăturilor utilizate la confecționarea hainelor sportive (echipamente, pantaloni scurți etc.) puțin murdare; pentru cele mai bune rezultate, se recomandă să nu depășiți cantitatea maximă admisă indicată în „Tabel de programe”. Se recomandă utilizarea detergentului lichid într-o cantitate adecvată unei încărcări pe jumătate a mașinii.

Sport Shoes (programul 14) a fost studiat pentru spălarea pantofilor de sport; pentru cele mai bune rezultate, nu spălați mai mult de 2 perechi deodată.

Programele 20° (20° Zone) oferă performanțe bune de spălare la temperaturi scăzute, permițând o folosire redusă a energiei electrice, ceea ce înseamnă un beneficiu pentru mediul înconjurător și o economie de bani.

Programele 20° corespund tuturor exigențelor:

Program standard la 20°C pentru rufe din bumbac (programul 6) ideal pentru rufe de bumbac murdare. Performanțele bune și la rece, comparabile cu o spălare la 40°, sunt garantate de o acțiune mecanică care lucrează prin varierea vitezei la intervale repetate și apropiate.

Mix Light (programul 7) ideal pentru rufe mixte (bumbac și sintetice) cu grad normal de murdărie. Performanțele bune de spălare și la rece sunt garantate de o acțiune mecanică care lucrează prin varierea vitezei la intervale medii și determinate.

20' Refresh (programul 8) ciclul ideal pentru a îmborsă și spăla rufe ușor murdare în câteva minute. Durează doar 20 de minute ceea ce economisește energie și timp. Este posibil să spălați împreună țesuturi diferite (în afară de lână și mătase); greutatea maximă admisă este de 1,5 kg.

Reglarea temperaturii

Rotind selectorul de TEMPERATURĂ se fixează temperatura de spălare (a se vedea Tabelul programelor).

Temperatura poate fi redusă până la spălarea la rece (❄).

Mașina va împiedica în mod automat de a alege o temperatură mai mare decât maxima admisă pentru fiecare program.

! Excepție: dacă selectați programul 2 temperatura poate fi crescută până la 90°.

Reglarea centrifugării

Rotind selectorul de CENTRIFUGARE se stabilește viteza de stoarcere pentru programul selectat.

Vitezele maxime, prevăzute pentru programe sunt:

Program	Viteză maximă
Bumbac	1000 rotații pe minut
Sintetice	800 rotații pe minut
Lână	800 rotații pe minut

Viteza de centrifugaare poate fi redusă sau centrifugarea poate fi exclusă selectând simbolul (⊘).

Mașina va împiedica în mod automat alegerea unei viteze mai mari decât maxima admisă pentru fiecare program.

Funcții

Diferitele funcții de spălare prevăzute pentru mașina de spălat, permit obținerea unor rufe curate și albe, după dorință.

Pentru a activa funcțiile:

1. apăsați tasta corespunzătoare funcției dorite;
2. aprinderea ledului respectiv indică activarea funcției.

Notă:

- Dacă funcția selectată nu este compatibilă cu programul ales, ledul corespunzător se va aprinde intermitent iar funcția nu se va activa.
- Dacă funcția aleasă nu este compatibilă cu o funcție selectată anterior, indicatorul care corespunde primei funcții va emite un semnal intermitent iar indicatorul celei de a doua se va aprinde: acest lucru înseamnă că se va activa numai a doua funcție (ultima aleasă).

Pornirea întârziată

Pentru a programa pornirea întârziată a mașinii, apăsați tasta respectivă pentru a alege timpul de întârziere dorit. Când opțiunea este activă, pe ecran se va aprinde simbolul . Pentru a anula pornirea întârziată, apăsați tasta până când pe ecran veți vedea mesajul "OFF".

Ec@Time

Prin selectarea acestei opțiuni, mișcarea mecanică, temperatura și apa sunt optimizate pentru o cantitate scăzută de țesături de bumbac și sintetice puțin murdare (vezi „Tabelul programelor”). Cu “Ec@Time” puteți spăla în timp mai scurt, economisind apă și energie. Se recomandă utilizarea unei cantități de detergent lichid adecvată cantității de rufe.

Energy Savér

Funcția Energy Savér contribuie la economia de energie, neîncălzind apa folosită pentru spălarea rufelor – un avantaj atât pentru mediul înconjurător, cât și pentru factura de curent electric. Într-adevăr, acțiunea mai puternică și consumul optimizat de apă garantează rezultate optime în aceeași durată medie a unui ciclu standard. Pentru a obține rezultate mai bune ale spălării, se recomandă folosirea unui detergent lichid.

Detergenți și rufe albe

RO

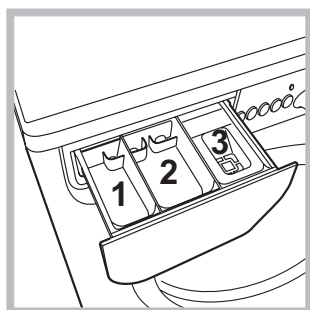
Compartimentul pentru detergenți

Un rezultat bun la spălare depinde și de dozarea corectă a detergentului: excesul de detergent nu garantează o spălare mai eficientă, ci contribuie la deteriorarea părților interne ale mașinii de spălat și la poluarea mediului înconjurător.

! Nu introduceți în mașină detergenții pentru spălarea manuală deoarece formează prea multă spumă.

! Utilizați detergenți praf pentru rufe albe de bumbac, pentru prespălare și pentru spălarea la temperaturi mai mari de 60°C.

! Respectați indicațiile de pe ambalajul detergentului.



Deschideți compartimentul pentru detergenți și introduceți detergentul sau aditivul după cum urmează:

compartiment 1: Detergent pentru prespălare (sub formă de praf)

compartiment 2: Detergent pentru spălare (sub formă de praf sau lichid)

Detergentul lichid trebuie vărsat doar înainte de pornire.

compartiment 3: Aditivi (soluție de înmuiat, balsam rufe etc.)

Soluția de înmuiat nu trebuie să iasă deasupra grătarului.

Pregătirea rufelor

- Sortați rufe în funcție de:
 - tipul de material / simbolul de pe etichetă.
 - culori: separați rufe colorate de cele albe.
- Goliți buzunarele și controlați nasturii.
- Nu depășiți valorile indicate în "Tabel de Programe" referitoare la greutatea rufelor uscate:


Cât cântăresc rufe?

- 1 cearceaf 400-500 g.
- 1 față de pernă 150-200 g.
- 1 față de masă 400-500 g.
- 1 halat de baie 900-1.200 g.
- 1 prosop 150-250 g.

Articole delicate

Mătase: utilizați programul special **9** pentru spălarea articolelor din mătase. Se recomandă folosirea unui detergent special pentru articole delicate.

Perdele: împăturiți-le și așezați-le într-o față de pernă sau într-un sac de tip plasă. Utilizați programul **9**.

Lână: cu programul **10** se pot spăla cu mașina toate hainele de lână, inclusiv cele cu eticheta „a se spăla numai manual” . Pentru a obține cele mai bune rezultate, folosiți un detergent specific și nu depășiți 1 kg de rufe.

Jeans: întoarceți pe dos rufe înainte de spălare și utilizați un detergent lichid. Utilizați programul **11**.

Sistemul de echilibrare a încărcăturii

Pentru a evita trepidațiile excesive, înainte de stocare, cuva mașinii va distribui cantitatea de rufe în mod uniform, centrifuga efectuând câteva rotații la o viteză mai mare decât viteza de spălare. Dacă, după numeroase încercări, mașina nu reușește să echilibreze greutatea, stocarea rufelor se va face la o viteză mai mică decât cea prevăzută în program. Dacă instabilitatea este prea mare, mașina va distribui greutatea în locul centrifugei. Pentru a favoriza o mai bună repartizare a rufelor și echilibrarea corectă a mașinii, se recomandă să introduceți în mașină atât articole mari cât și mici.

Se poate întâmpla ca mașina de spălat să nu funcționeze. Înainte de a apela serviciul de Service (a se vedea "Asistență"), verificați dacă nu este vorba de o problemă ușor de rezolvat:

Anomalii:

Cauze posibile / Rezolvare:

Mașina de spălat nu pornește.

- Stecherul nu este introdus în priză de curent, sau nu face contact.
- Aveți o pană de curent la domiciliu.

Ciclul de spălare nu pornește.

- Ușa nu este bine închisă.
- Tasta ON/OFF nu a fost apăsată.
- Tasta START/PAUSE nu a fost apăsată.
- Robinetul de apă nu este deschis.
- A fost fixată o întârziere de pornire (a se vedea "Personalizare").

Mașina de spălat nu se alimentează cu apă (pe afișaj se aprinde intermitent mesajul „H2O”).

- Furtunul de alimentare cu apă nu este racordat la robinet.
- Furtunul este îndoit.
- Robinetul de apă nu este deschis.
- Apa la domiciliul dumneavoastră.
- Apa nu are presiune suficientă.
- Tasta START/PAUSE nu a fost apăsată.

Mașina de spălat încarcă și descarcă apă continuu.

- Furtunul de golire nu a fost instalat la o înălțime cuprinsă între 65 și 100 cm de pământ (a se vedea "Instalare").
- Capătul furtunului de evacuare este cufundat în apă (a se vedea "Instalare").
- Evacuarea din perete nu are răsuflare pentru aer.

Dacă după aceste verificări problema nu se rezolvă, închideți robinetul de apă, opriți mașina de spălat și chemați Service-ul. Dacă locuința se află la ultimele etaje ale unui edificiu, este posibil să aibă loc fenomene de sifonare, motiv pentru care mașina de spălat încarcă și descarcă apă încontinuu. Pentru a elimina acest inconvenient, se găsesc în comerț supape anti-sifonare.

Mașina de spălat nu se golește sau nu stoarce.

- Programul nu prevede golirea apei: în cazul anumitor programe, este necesară activarea manuală.
- Furtunul de golire este îndoit (a se vedea "Instalare").
- Conducta de descărcare este înfundată.

Mașina de spălat vibrează foarte mult în timpul stocării.

- Cuva, în momentul instalării, nu a fost deblocată în mod corespunzător (a se vedea "Instalare").
- Mașina de spălat este în pantă (a se vedea "Instalare").
- Mașina de spălat este prea aproape de pereți și mobilier (a se vedea "Instalare").

Mașina de spălat pierde apă.

- Furtunul de alimentare cu apă nu este bine înșurubat (a se vedea "Instalare").
- Compartimentul de detergenți este înfundat (pentru a-l curăța a se vedea "Întreținere și curățare").
- Furtunul de golire nu este bine fixat (a se vedea "Instalare").

Indicatoarele de „Funcții” și „START/PAUSE” sunt intermitente; unul din indicatoarele ptr. „faza în curs” și „ușă blocată” sunt aprinse.

- Opriți mașina și scoateți stecherul din priză; așteptați aproximativ 1 minut înainte de a o reaprinde.
- Dacă nu obțineți nici un rezultat, apelați Centrul de service pentru asistență.

Se formează prea multă spumă.

- Detergentul nu este compatibil cu mașina de spălat (trebuie să fie scris „pentru mașina de spălat”, „de mână sau în mașina de spălat”, sau ceva asemănător).
- Dozajul a fost excesiv.

Asistență

RO

Înainte de a lua legătura cu Service-ul:

- Verificați dacă puteți rezolva singuri problema (*a se vedea "Anomalii și remedii"*);
- Porniți din nou programul pentru a controla dacă inconvenientul a fost eliminat;
- În caz negativ, luați legătura cu asistența tehnică autorizată la numărul telefonic indicat pe certificatul de garanție.

! Nu apelați niciodată la persoane neautorizate.

Comunicați:

- tipul de anomalie;
- modelul mașinii (Mod.);
- numărul de serie (S/N).

Aceste informații sunt specificate pe plăcuța cu date tehnice, lipită în partea din spate a mașinii de spălat precum și în partea anterioară, după ce deschideți ușa.

REGULAMENTUL DELEGAT (UE) NR. 1061/2010 AL COMISIEI

Marca	INDESIT
Modelul	IWUD 41051 C ECO EU
Capacitatea nominală exprimată în kg de rufe din bumbac	4.0
Clasa de eficiență energetică pe o scară de la A+++ (consum redus) la G (consum ridicat)	A+
Consumul de energie anual exprimat în kWh ¹⁾	140.0
Consumul de energie la programul de spălare rufe din bumbac standard la 60 °C la capacitate maximă exprimat în kWh ²⁾	0.77
Consumul de energie la programul de spălare rufe din bumbac standard la 60 °C la capacitate parțială exprimat în kWh ²⁾	0.502
Consumul de energie la programul de spălare rufe din bumbac standard la 40 °C la capacitate parțială exprimat în kWh ²⁾	0.431
Consumul de energie în modul off (oprit) exprimat în W	0.5
Consumul de energie în modul left-on (rămas în funcțiune) exprimat în W	8.0
Consumul de apă anual exprimat în litri ³⁾	5286
Clasa de eficiență la centrifugare pe o scară de la G (eficiență minimă) la A (eficiență maximă)	C
Numărul maxim de rotații ⁴⁾	1000
Conținutul de apă rămas ⁵⁾	62%
Durata programului de spălare rufe din bumbac standard la 60 °C la capacitate maximă exprimată în minute.	145
Durata programului de spălare rufe din bumbac standard la 60 °C la capacitate parțială exprimată în minute.	115
Durata programului de spălare rufe din bumbac standard la 40°C la capacitate parțială exprimată în minute.	110
Durata modului left-on (rămas în funcțiune) exprimată în minute	30
Nivelul de zgomot exprimat în dB(A) re 1 pW spălare ⁶⁾	59
Nivelul de zgomot exprimat în dB(A) re 1 pW centrifugare ⁶⁾	79

¹⁾ "Programul de spălare rufe din bumbac standard la 60 °C" la capacitate maximă și parțială și "programul de spălare rufe din bumbac standard la 40 °C" la capacitate parțială sunt programele de spălare standard la care fac referire informațiile de pe etichetă și din fișa produsului. Programul de spălare rufe din bumbac standard la 60 °C și programul de spălare rufe din bumbac standard la 40 °C sunt adecvate pentru spălarea rufelor din bumbac cu grad de murdărie normal și sunt cele mai eficiente programe din punct de vedere al consumului combinat de energie și apă. Încărcarea parțială reprezintă jumătate din încărcarea nominală.

²⁾ Pe baza programelor cu 220 de cicluri de spălare rufe din bumbac standard la 60°C și 40°C la încărcare maximă și parțială, și a consumului modurilor cu consum redus. Consumul real de energie va depinde de modul în care este utilizat aparatul.

³⁾ Pe baza programelor cu 220 de cicluri de spălare rufe din bumbac standard la 60°C și 40°C la capacitate maximă și parțială. Consumul real de apă va depinde de modul în care este utilizat aparatul.

⁴⁾ Pentru programul de spălare rufe standard la 60 °C la încărcare maximă și parțială sau la 40°C la încărcare parțială, oricare dintre acestea este mai scăzut.

⁵⁾ S-a obținut pentru programul de spălare rufe din bumbac standard la 60 °C la încărcare maximă și parțială sau la 40°C la încărcare parțială, oricare dintre acestea este mai ridicat.

⁶⁾ Pe baza fazelor de spălare și centrifugare pentru programul de spălare rufe din bumbac standard la 60 °C la încărcare maximă.

FR

Français

IWUD 41051

Sommaire

Installation, 62-63

Déballage et mise à niveau
Raccordements eau et électricité
Premier cycle de lavage
Caractéristiques techniques

Entretien et soin, 64

Coupure de l'arrivée d'eau et du courant
Nettoyage du lave-linge
Nettoyage du tiroir à produits lessiviels.
Entretien du hublot et du tambour
Nettoyage de la pompe
Contrôle du tuyau d'arrivée de l'eau

Précautions et conseils, 65

Sécurité générale
Mise au rebut

Description du lave-linge et démarrage d'un programme, 66-67

Bandeau de commandes
Voyants
Démarrage d'un programme

Programmes, 68

Tableau des programmes

Personnalisations, 69

Sélection de la température
Sélection de l'essorage
Fonctions

Produits lessiviels et linge, 70

Tiroir à produits lessiviels
Triage du linge
Linge ou vêtements particuliers
Système d'équilibrage de la charge

Anomalies et remèdes, 71

Assistance, 72

Installation

FR

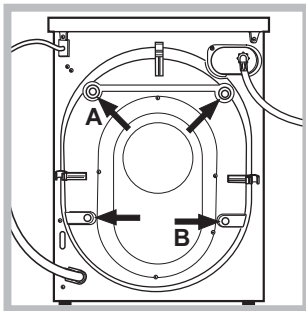
! Conserver ce mode d'emploi pour pouvoir le consulter à tout moment. En cas de vente, de cession ou de déménagement, veiller à ce qu'il suive toujours le lave-linge pour que son nouveau propriétaire soit informé sur son mode de fonctionnement et puisse profiter des conseils correspondants.

! Lire attentivement les instructions: elles fournissent des conseils importants sur l'installation, l'utilisation et la sécurité de l'appareil.

Déballage et mise à niveau

Déballage

1. Déballer le lave-linge.
2. Contrôler que le lave-linge n'a pas été endommagé pendant le transport. S'il est abîmé, ne pas le raccorder et contacter le vendeur.



3. Enlever les 4 vis de protection servant au transport, le caoutchouc et la cale, placés dans la partie arrière (voir figure).

4. Boucher les trous à l'aide des bouchons plastique fournis.

5. Conserver toutes ces pièces: il faudra

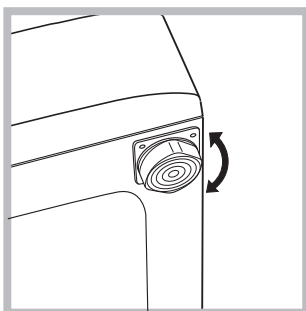
les remonter en cas de transport du lave-linge.

! Chaque fois que la machine doit être inclinée ou déplacée, pour assurer l'intégrité des composants internes, il convient de replacer les vis, le caoutchouc et la cale en position **A** et **B**. Veiller à les retirer au terme de l'opération.

! Les pièces d'emballage ne sont pas des jouets pour enfants.

Mise à niveau

1. Installer le lave-linge sur un sol plat et rigide, sans l'appuyer contre des murs, des meubles ou autre.

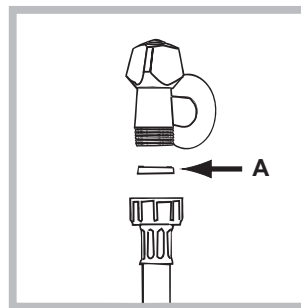


2. Si le sol n'est pas parfaitement horizontal, visser ou dévisser les pieds de réglage avant (voir figure) pour niveler l'appareil; son angle d'inclinaison, mesuré sur le plan de travail, ne doit pas dépasser 2°.

Une bonne mise à niveau garantit la stabilité de l'appareil et évite qu'il y ait des vibrations, du bruit et des déplacements en cours de fonctionnement. Si la machine est posée sur de la moquette ou un tapis, régler les pieds de manière à ce qu'il y ait suffisamment d'espace pour assurer une bonne ventilation.

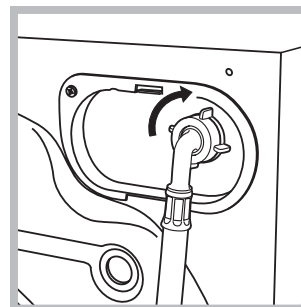
Raccordements eau et électricité

Raccordement du tuyau d'arrivée de l'eau



1. Montez le joint **A** sur l'extrémité du tuyau d'alimentation et vissez-le à un robinet d'eau froide à embout fileté 3/4 gaz (voir figure).

Faites couler l'eau jusqu'à ce qu'elle soit limpide et sans impuretés avant de raccorder.



2. Raccorder le tuyau d'arrivée de l'eau au lave-linge en le vissant à la prise d'eau prévue, dans la partie arrière en haut à droite (voir figure).

3. Attention à ce que le tuyau ne soit pas plié ou écrasé.

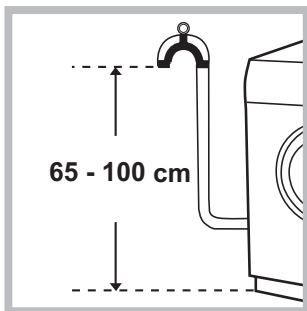
! La pression de l'eau doit être comprise entre les valeurs indiquées dans le tableau des Caractéristiques techniques (voir page ci-contre).

! Si la longueur du tuyau d'alimentation ne suffit pas, s'adresser à un magasin spécialisé ou à un technicien agréé.

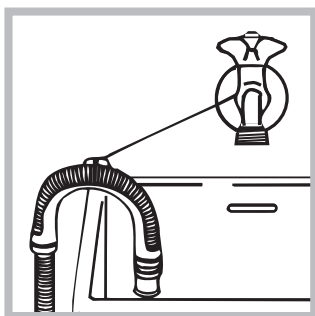
! N'utiliser que des tuyaux neufs.

! Utiliser ceux qui sont fournis avec l'appareil.

Raccordement du tuyau de vidange



Raccorder le tuyau d'évacuation, sans le plier, à un conduit d'évacuation ou à une évacuation murale placés à une distance du sol comprise entre 65 et 100 cm;



ou bien l'accrocher à un évier ou à une baignoire, dans ce cas, fixer le support en plastique fourni avec l'appareil au robinet (voir figure). L'extrémité libre du tuyau d'évacuation ne doit pas être plongée dans l'eau.

! L'utilisation d'un tuyau de rallonge est absolument déconseillée mais si on ne peut faire autrement, il faut absolument qu'il ait le même diamètre que le tuyau original et sa longueur ne doit pas dépasser 150 cm.

Branchement électrique

Avant de brancher la fiche dans la prise de courant, s'assurer que:

- la prise est bien reliée à la terre et est conforme aux réglementations en vigueur;
- la prise est bien apte à supporter la puissance maximale de l'appareil indiquée dans le tableau des Caractéristiques techniques (voir ci-contre);
- la tension d'alimentation est bien comprise entre les valeurs figurant dans le tableau des Caractéristiques techniques (voir ci-contre);
- la prise est bien compatible avec la fiche du lave-linge. Autrement, remplacer la prise ou la fiche.

! Le lave-linge ne doit pas être installé dehors, même à l'abri, car il est très dangereux de le laisser exposé à la pluie et aux orages.

! Après installation du lave-linge, la prise de courant doit être facilement accessible.

! N'utiliser ni rallonges ni prises multiples.

! Le câble ne doit être ni plié ni trop écrasé.

! Le câble d'alimentation ne doit être remplacé que par des techniciens agréés.

Attention! Nous déclinons toute responsabilité en cas de non-respect des normes énumérées ci-dessus.

Premier cycle de lavage

Avant la première mise en service de l'appareil, effectuer un cycle de lavage avec un produit lessiviel mais sans linge et sélectionner le programme 2.

Caractéristiques techniques

Modèle	IWUD 41051
Dimensions	largeur 59,5 cm hauteur 85 cm profondeur 33 cm
Capacité	de 1 à 4 kg
Raccordements électriques	Voir la plaque signalétique appliquée sur la machine
Raccorde-ments hydrauliques	pression maximale 1 MPa (10 bar) pression minimale 0,05 MPa (0,5 bar) capacité du tambour 27 litres
Vitesse d'essorage	jusqu'à 1000 tours minute
Programmes de contrôle selon les directives 1061/2010 et 1015/2010	programme 2; programme coton standard à 60°C. programme 3; programme coton standard à 40°C.
 	Cet appareil est conforme aux Directives Communautaires suivantes: - 2004/108/CE (Compatibilité électromagnétique) - 2012/19/EU - 2006/95/CE (Basse Tension)

Entretien et soin

FR

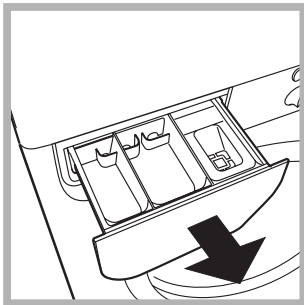
Coupure de l'arrivée d'eau et du courant

- Fermer le robinet de l'eau après chaque lavage. Cela réduit l'usure de l'installation hydraulique du lave-linge et évite tout danger de fuites.
- Débrancher la fiche de la prise de courant lors de tout nettoyage du lave-linge et pendant tous les travaux d'entretien.

Nettoyage du lave-linge

Pour nettoyer l'extérieur et les parties en caoutchouc, utiliser un chiffon imbibé d'eau tiède et de savon. N'utiliser ni solvants ni abrasifs.

Nettoyage du tiroir à produits lessiviels.



Soulever le tiroir et le tirer vers soi pour le sortir de son logement (voir figure). Le laver à l'eau courante; effectuer cette opération assez souvent.

Entretien du hublot et du tambour

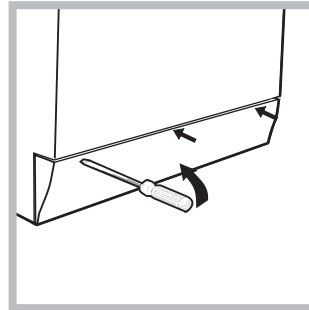
- Il faut toujours laisser le hublot entrouvert pour éviter la formation de mauvaises odeurs.

Nettoyage de la pompe

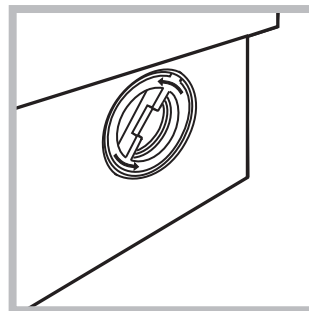
Le lave-linge est équipé d'une pompe autonettoyante qui n'exige aucune opération d'entretien. Il peut toutefois arriver que de menus objets (pièces de monnaie, boutons) tombent dans la préchambre qui protège la pompe, placée en bas de cette dernière.

! S'assurer que le cycle de lavage est bien terminé et débrancher la fiche.

Pour accéder à cette préchambre:



1. démonter le panneau situé à l'avant du lave-linge à l'aide d'un tournevis (voir figure);



2. dévisser le couvercle en le tournant dans le sens inverse des aiguilles d'une montre (voir figure); il est normal qu'un peu d'eau s'écoule;

3. nettoyer soigneusement l'intérieur;
4. revisser le couvercle;
5. remonter le panneau en veillant à bien enfiler les crochets dans les fentes prévues avant de le pousser contre l'appareil.

Contrôle du tuyau d'arrivée de l'eau

Contrôler le tuyau d'alimentation au moins une fois par an. Procéder à son remplacement en cas de craquements et de fissures; car les fortes pressions subies pendant le lavage pourraient provoquer des cassures.

! N'utiliser que des tuyaux neufs.

! Ce lave-linge a été conçu et fabriqué conformément aux normes internationales de sécurité. Ces consignes sont fournies pour des raisons de sécurité, il faut les lire attentivement.

Les consommateurs devront contacter les autorités locales ou leur revendeur concernant la démarche à suivre pour l'enlèvement de leur vieil appareil.

FR

Sécurité générale

- Cet appareil est conçu pour un usage domestique.
- Cet appareil peut être utilisé par les enfants à partir de 8 ans et par les personnes dont les capacités physiques, sensorielles ou mentales sont réduites ou qui ne disposent pas des connaissances suffisantes, à condition qu'ils soient encadrés ou aient été formés de façon appropriée pour l'utilisation de l'appareil de façon sûre et en comprenant les dangers qui y sont liés. Les enfants ne doivent pas jouer avec l'appareil. L'entretien et le nettoyage ne doivent pas être effectués par les enfants sans surveillance.
- Ne jamais toucher l'appareil si l'on est pieds nus et si les mains sont mouillées ou humides.
- Ne jamais tirer sur le câble pour débrancher la fiche de la prise de courant.
- Ne pas ouvrir le tiroir à produits lessiviels si la machine est branchée.
- Ne pas toucher à l'eau de vidange, elle peut atteindre des températures très élevées.
- Ne pas forcer pour ouvrir le hublot: le verrouillage de sécurité qui protège contre les ouvertures accidentelles pourrait s'endommager.
- En cas de panne, éviter à tout prix d'accéder aux mécanismes internes pour tenter une réparation.
- Veiller à ce que les enfants ne s'approchent pas de l'appareil pendant son fonctionnement.
- Pendant le lavage, le hublot a tendance à se réchauffer.
- Deux ou trois personnes sont nécessaires pour déplacer l'appareil avec toutes les précautions nécessaires. Ne jamais le déplacer tout seul car il est très lourd.
- Avant d'introduire le linge, s'assurer que le tambour est bien vide.

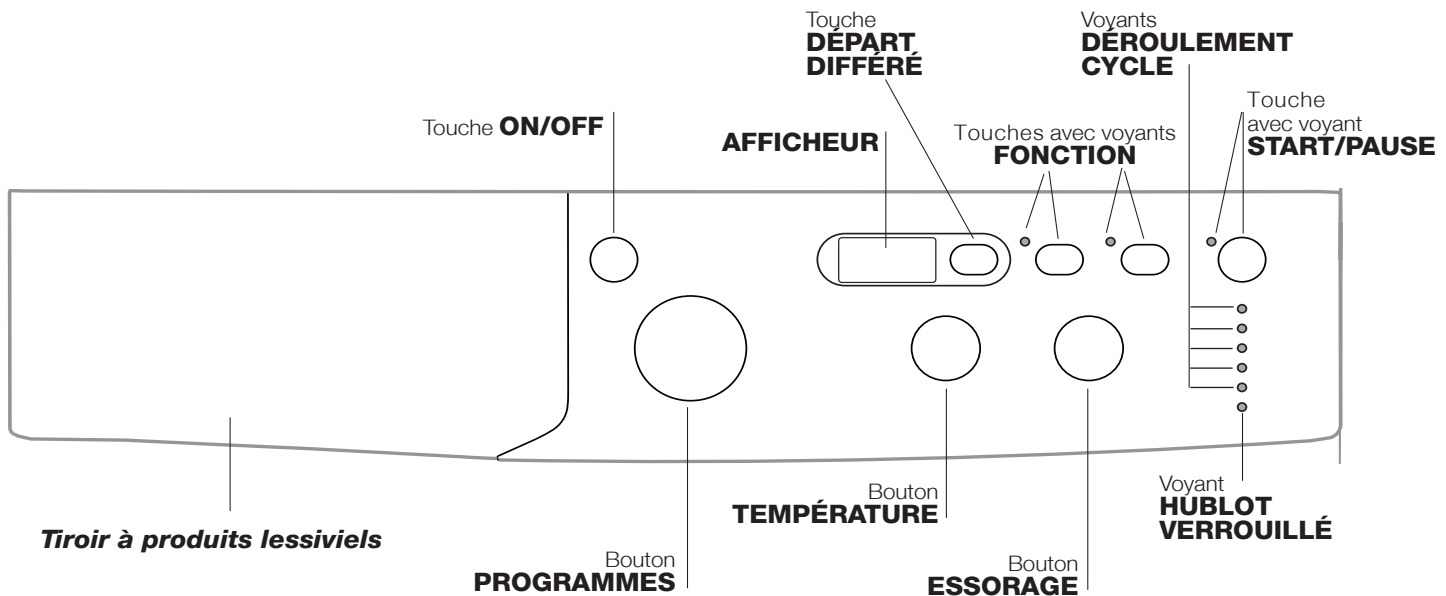
Mise au rebut

- Mise au rebut du matériel d'emballage: se conformer aux réglementations locales de manière à ce que les emballages puissent être recyclés.
- La Directive Européenne 2012/19/EU sur les Déchets des Equipements Electriques et Electroniques, exige que les appareils ménagers usagés ne soient pas jetés dans le flux normal des déchets municipaux. Les appareils usagés doivent être collectés séparément afin d'optimiser le taux de récupération et le recyclage des matériaux qui les composent et réduire l'impact sur la santé humaine et l'environnement. Le symbole de la "poubelle barrée" est apposée sur tous les produits pour rappeler les obligations de collecte séparée.

Description du lave-linge et démarrage d'un programme

FR

Bandeau de commandes



Tiroir à produits lessiviels: pour charger les produits lessiviels et les additifs (voir "Produits lessiviels et linge").

Touche **ON/OFF:** pour allumer ou éteindre le lave-linge.


Bouton **PROGRAMMES:** pour sélectionner les programmes. Pendant le programme, le bouton ne tournera pas.

Touches avec voyants **FONCTION:** pour sélectionner les fonctions disponibles. Le voyant correspondant à la fonction sélectionnée restera allumé.

Bouton **TEMPÉRATURE:** pour sélectionner la température ou un lavage à froid (voir "Personnalisations").

Bouton **ESSORAGE:** pour sélectionner l'essorage ou le supprimer (voir "Personnalisations").


AFFICHEUR: pour afficher la durée des différents programmes disponibles et, une fois le cycle lancé, le temps restant jusqu'à la fin du programme. Si un DÉPART DIFFÉRÉ a été sélectionné, le temps restant avant le démarrage du programme sélectionné est affiché.

Touche **DÉPART DIFFÉRÉ** : appuyer sur cette touche pour sélectionner un départ différé pour le programme choisi. Le retard est affiché à l'écran.

Voyants **DÉROULEMENT CYCLE:** pour suivre le stade d'avancement du programme de lavage. Le voyant allumé indique la phase de lavage en cours.

Voyant **HUBLOT VERROUILLÉ:** indique si la porte est verrouillée (voir page ci-contre).

Touche avec voyant **START/PAUSE:** pour démarrer les programmes ou les interrompre momentanément.

N.B.: pour effectuer une pause du lavage en cours, appuyer sur cette touche, le voyant correspondant se mettra à clignoter en orange tandis que celui de la phase en cours restera allumé fixe. Si le voyant HUBLOT VERROUILLÉ  est éteint, on peut ouvrir la porte (3 minutes environ). Pour faire redémarrer le lavage exactement de l'endroit où il a été interrompu, appuyer une nouvelle fois sur la touche.

Stand-by




Ce lave-linge, conformément aux nouvelles normes en vigueur dans le domaine de l'économie d'énergie, est équipée d'un système d'extinction automatique (veille) activé après 30 minutes environ d'inutilisation. Appuyez brièvement sur la touche ON/OFF et attendre que la machine soit réactivée.

Voyants

Les voyants fournissent des informations importantes. Voilà ce qu'ils signalent:

Voyants phase en cours

Une fois que le cycle de lavage sélectionné a démarré, les voyants s'allument progressivement pour indiquer son stade d'avancement:

Lavage	
Rinçage	
Essorage	
Vidange	
Fin de Lavage	

Touches fonction et voyants correspondants

La sélection d'une fonction entraîne l'allumage du voyant correspondant.


Si la fonction sélectionnée est incompatible avec le programme sélectionné, le voyant correspondant se met à clignoter et la fonction n'est pas activée.

Si l' fonction sélectionnée est incompatible avec une autre fonction précédemment sélectionnée, le voyant correspondant à la première fonction se met à clignoter et seule la deuxième fonction est activée, le voyant de la touche s'allume au fixe.

Voyant hublot verrouillé

Le voyant allumé indique que le hublot est verrouillé pour en empêcher l'ouverture. Attendre que le voyant cesse de clignoter avant d'ouvrir la porte (3 minutes environ). Pour ouvrir le hublot tandis qu'un cycle est en cours, appuyer sur la touche START/PAUSE; si le voyant HUBLOT VERROUILLÉ est éteint, on peut ouvrir le hublot.



Démarrage d'un programme

1. Allumer le lave-linge en appuyant sur la touche ON/OFF. Tous les voyants s'allument pendant quelques secondes puis s'éteignent, seul le voyant START/PAUSE flashe.
2. Charger le linge et fermer le hublot.
3. Sélectionner à l'aide du bouton PROGRAMMES le programme désiré.
4. Sélectionner la température de lavage (voir "Personnalisations").
5. Sélectionner la vitesse d'essorage (voir "Personnalisations").
6. Verser les produits lessiviels et les additifs (voir "Produits lessiviels et linge").
7. Sélectionner les fonctions désirées.
8. Appuyer sur la touche START/PAUSE pour démarrer le programme, le voyant correspondant vert restera allumé en fixe. Pour annuler le cycle sélectionné, appuyer sur la touche START/PAUSE pour placer l'appareil en pause et choisir un nouveau cycle.
9. A la fin du programme, le voyant END s'allume. Quand le voyant HUBLOT VERROUILLÉ  s'éteint, on peut ouvrir le hublot (3 minutes environ). Sortir le linge et laisser le hublot entrouvert pour faire sécher le tambour. Eteindre le lave-linge en appuyant sur la touche ON/OFF.

Programmes

FR

Tableau des programmes

Programmes	Description du Programme	Temp. maxi. (°C)	Vitesse maxi (tours minute)	Lessive			Charge maxi (kg)	Humidité résiduelle %	Consommation d'énergie kWh	Eau totale lt	Durée cycle
				Pré-lavage	Lavage	Assouplissant					
Programmes Quotidiens (Daily)											
1	Coton avec pré-lavage: blancs extrêmement sales.	90°	1000	●	●	●	4	62	1,46	44	140'
2	Coton standard (1): blancs et couleurs résistantes très sales.	60° (Max. 90°)	1000	-	●	●	4	62	0,77	30,6	145'
3	Coton standard (2): blancs et couleurs délicates peu sales.	40°	1000	-	●	●	4	62	0,66	44	140'
4	Synthétiques: couleurs résistantes très sales.	60°	800	-	●	●	2	42	0,67	26	95'
4	Synthétiques (3): couleurs résistantes peu sales.	40°	800	-	●	●	2	42	0,42	27	85'
5	Mix couleurs: blancs peu sales et couleurs délicates.	40°	1000	-	●	●	4	62	0,65	32	85'
Zone 20°											
6	Coton standard): blancs et couleurs délicates peu sales.	20°	1000	-	●	●	4	-	-	-	160'
7	Mix quotidien	20°	800	-	●	●	4	-	-	-	105'
8	20' fraîcheur	20°	800	-	●	●	1,5	-	-	-	20'
Spéciaux (Special)											
9	Soie et voilage: pour linge en soie, viscose, lingerie.	30°	0	-	●	●	1	-	-	-	50'
10	Laine: pour laine, cachemire, etc.	40°	800	-	●	●	1	-	-	-	55'
11	Jeans	40°	800	-	●	●	1,5	-	-	-	70'
Sport											
12	Sport Intensif	30°	600	-	●	●	1,5	-	-	-	80'
13	Sport Léger	30°	600	-	●	●	1,5	-	-	-	55'
14	Baskets	30°	600	-	●	●	Max. 2 Paires	-	-	-	50'
Programmes partiels											
	Rinçage	-	1000	-	-	●	4	-	-	-	36'
	Essorage + Vidange	-	1000	-	-	-	4	-	-	-	16'

La durée du cycle indiquée sur l'écran ou dans la notice représente une estimation calculée dans des conditions standard. Le temps effectif peut varier en fonction de nombreux facteurs tels que : température et pression de l'eau en entrée, température ambiante, quantité de lessive, quantité et type de charge, équilibrage de la charge, options supplémentaires sélectionnées.

Pour tous les instituts qui effectuent ces tests :

1) Programme de contrôle selon la norme 1061/2010: sélectionner le programme 2 et une température de 60°C.

Ce cycle convient au lavage d'une charge de coton normalement sale et c'est le plus performant en termes de consommation d'eau et d'énergie, l'utiliser pour du linge lavable à 60°C. La température effective de lavage peut différer de la température indiquée.

2) Programme de contrôle selon la norme 1061/2010: sélectionner le programme 3 et une température de 40°C.

Ce cycle convient au lavage d'une charge de coton normalement sale et c'est le plus performant en termes de consommation d'eau et d'énergie, l'utiliser pour du linge lavable à 40°C. La température effective de lavage peut différer de la température indiquée.

2) Programme coton long: sélectionner le programme 3 et une température de 40°C.

3) Programme synthétiques: sélectionner le programme 4 et une température de 40°C.

Sport Intensif (programme 12): est spécialement conçu pour laver des textiles vêtements de sport (survêtements, shorts, etc.) très sales; pour obtenir d'excellents résultats nous recommandons de ne pas dépasser la charge maximale indiquée dans le "Tableau des programmes".

Sport Léger (programme 13): est spécialement conçu pour laver des textiles vêtements de sport (survêtements, shorts, etc.) peu sales; pour obtenir d'excellents résultats nous recommandons de ne pas dépasser la charge maximale indiquée dans le "Tableau des programmes". Nous recommandons d'utiliser de la lessive liquide, avec une dose pour la demi-charge.

Baskets (programme 14): est spécialement conçu pour laver des chaussures de sport; pour obtenir d'excellents résultats nous recommandons de ne pas en laver plus de 2 paires à la fois.

Les programmes 20° (Zone 20°) offrent de bonnes performances de lavage aux basses températures avec une consommation d'électricité réduite qui permet de faire des économies tout en respectant l'environnement. Les programmes 20° satisfont toutes les exigences:

Coton standard (programme 6) idéal pour des charges de linge sale en coton. Les bonnes performances, même à froid, comparables à celles d'un lavage à 40°, sont assurées grâce à une action mécanique qui brasse en variant la vitesse et avec des pics répétés et rapprochés.

Mix quotidien (programme 7) idéal pour des charges mixtes (coton et synthétiques) moyennement sales. Les bonnes performances de lavage, même à froid, sont assurées grâce à une action mécanique qui brasse en variant la vitesse à des intervalles moyens et déterminés.

20' fraîcheur (programme 8) cycle idéal pour rafraîchir du linge peu sale en quelques minutes.

Il ne dure que 20 minutes et permet ainsi de faire des économies de temps et d'énergie. Il permet de laver ensemble des textiles différents (sauf laine et soie) avec une charge maximum de 1,5 kg.

Sélection de la température

Tourner le bouton TEMPÉRATURE pour sélectionner la température de lavage (voir *Tableau des programmes*).

La température peut être abaissée jusqu'au lavage à froid (❄).

La machine interdira automatiquement toute sélection d'une température supérieure à la température maximale prévue pour chaque programme.

! Exception: lors de la sélection du programme **2** la température peut être augmentée jusqu'à 90°.

Sélection de l'essorage

Tourner le bouton ESSORAGE pour sélectionner la vitesse d'essorage du programme sélectionné.

Les vitesses maximales prévues pour les programmes sont:

Programmes	Vitesse maximale
Coton	1000 tours/minute
Synthétiques	800 tours/minute
Laine	800 tours/minute
Soie	vidange seule

La vitesse d'essorage peut être réduite ou l'essorage supprimé en sélectionnant le symbole (⊘).

La machine interdira automatiquement tout essorage à une vitesse supérieure à la vitesse maximale prévue pour chaque programme.

Fonctions

Les différentes fonctions de lavage prévues par le lave-linge permettent d'obtenir la propreté et le blanc souhaités.

Pour activer les fonctions:

1. appuyer sur la touche correspondant à la fonction désirée;
2. l'allumage du voyant correspondant signale que la fonction est activée.

Remarque:

- Si la fonction sélectionnée est incompatible avec le programme sélectionné, le voyant correspondant se met à clignoter et la fonction n'est pas activée.
- Si l'option sélectionnée est incompatible avec une autre fonction précédemment sélectionnée, le voyant correspondant à la première fonction se met à clignoter et seule la deuxième fonction est activée, le voyant de la touche s'allume au fixe.

Départ différé

Pour programmer le départ différé d'un programme sélectionné, appuyer sur la touche correspondante jusqu'à ce que le retard désiré soit atteint. Quand cette option est active, le symbole (🕒) s'affiche à l'écran. Pour annuler le départ différé, appuyer sur la touche jusqu'à ce que l'inscription OFF s'affiche à l'écran.

EcoTime

La sélection de cette option permet d'optimiser les mouvements mécaniques, la température et l'eau en fonction d'une charge réduite de coton et synthétiques peu sales (voir "*Tableau des programmes*"). "EcoTime" permet de laver en faisant des économies considérables de temps et de consommations d'eau et d'énergie. Il est conseillé d'utiliser une dose de lessive liquide adaptée à la charge.

Energy Saver

La fonction Energy Saver h permet d'économiser l'énergie puisque l'eau utilisée pour la lessive n'est pas réchauffée : un plus pour l'environnement et pour votre facture d'électricité. L'action renforcée et l'optimisation de la consommation de l'eau garantissent d'excellents résultats pour une durée moyenne identique à celle d'un cycle standard. Pour de meilleurs résultats en matière de lavage, utilisez une lessive liquide.

Produits lessiviels et linge

FR

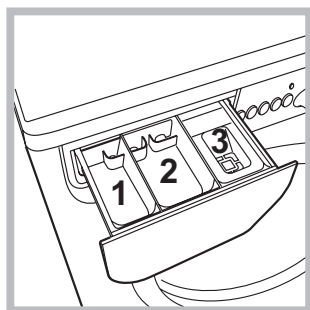
Tiroir à produits lessiviels

Un bon résultat de lavage dépend aussi d'un bon dosage de produit lessiviel: un excès de lessive ne lave pas mieux, il incruste l'intérieur du lave-linge et pollue l'environnement. Toutefois plus de linge signifie plus de saleté, c'est pourquoi pour obtenir d'excellents résultats à chaque lavage, vous devez ajuster la quantité de lessive nécessaire.

! Ne pas utiliser de lessives pour lavage à la main, elles moussent trop.

! Utiliser des lessives en poudre pour du linge en coton blanc et en cas de pré-lavage et de lavages à une température supérieure à 60°C.

! Respecter les indications figurant sur le paquet de lessive.



Sortir le tiroir à produits lessiviels et verser la lessive ou l'additif comme suit.

bac 1: Lessive pré-lavage (en poudre)

bac 2: Lessive lavage (en poudre ou liquide)

Versez la lessive liquide juste avant la mise en marche.

bac 3: Additifs (adoucissant, etc.)

L'assouplissant ne doit pas déborder de la grille.

Triage du linge

- Trier correctement le linge d'après:
 - le type de textile / le symbole sur l'étiquette.
 - les couleurs: séparer le linge coloré du blanc.
- Vider les poches et contrôler les boutons.
- Ne pas dépasser les valeurs indiquées dans le "Tableau des programmes" correspondant au poids de linge sec..


Combien pèse le linge ?

- 1 drap 400-500 g
- 1 taie d'oreiller 150-200 g
- 1 nappe 400-500 g
- 1 peignoir 900-1200 g
- 1 serviette éponge 150-250 g

Linge ou vêtements particuliers

Soie: sélectionner le programme de lavage spécial **9** pour vêtements en soie. Il est conseillé d'utiliser une lessive spéciale pour linge délicat.

Voilage: pliez-les bien et glissez-les dans une taie d'oreiller ou dans un sac genre filet. Sélectionner le programme **9**.

Laine: grâce au programme **10** vous pouvez laver à la machine tous vos vêtements en laine, y compris ceux qui portent l'étiquette " lavage à la main uniquement " .

Pour obtenir d'excellents résultats utilisez un produit lessiviel spécial et ne dépassez pas une charge de 1 kg.

Jeans: mettez les jeans à l'envers avant de les laver et utilisez une lessive liquide. Sélectionnez le programme **11**.

Système d'équilibrage de la charge

Avant tout essorage, pour éviter toute vibration excessive et répartir le linge de façon uniforme, le lave-linge fait tourner le tambour à une vitesse légèrement supérieure à la vitesse de lavage. Si au bout de plusieurs tentatives, la charge n'est toujours pas correctement équilibrée, l'appareil procède à un essorage à une vitesse inférieure à la vitesse normalement prévue. En cas de déséquilibre excessif, le lave-linge préfère procéder à la répartition du linge plutôt qu'à son essorage. Pour une meilleure répartition de la charge et un bon équilibrage, nous conseillons de mélanger de grandes et petites pièces de linge.

Il peut arriver que le lave-linge ne fonctionne pas bien. Avant d'appeler le Service de dépannage (voir "Assistance"), contrôler s'il ne s'agit pas par hasard d'un problème facile à résoudre à l'aide de la liste suivante.

Anomalies:

Causes / Solutions possibles:

Le lave-linge ne s'allume pas.

- La fiche n'est pas branchée dans la prise de courant ou mal branchée.
- Il y a une panne de courant.

Le cycle de lavage ne démarre pas.

- Le hublot n'est pas bien fermé.
- La touche ON/OFF n'a pas été enfoncée.
- La touche START/PAUSE n'a pas été enfoncée.
- Le robinet de l'eau n'est pas ouvert.
- Un départ différé a été sélectionné (voir "Personnalisations").

Il n'y a pas d'arrivée d'eau (Il y aura affichage du message "H2O" clignotant).

- Le tuyau d'arrivée de l'eau n'est pas raccordé au robinet.
- Le tuyau est plié.
- Le robinet de l'eau n'est pas ouvert.
- Il y a une coupure d'eau.
- La pression n'est pas suffisante.
- La touche START/PAUSE n'a pas été enfoncée.

Le lave-linge prend l'eau et vidange continuellement.

- Le tuyau de vidange n'est pas installé à une distance du sol comprise entre 65 et 100 cm (voir "Installation").
- L'extrémité du tuyau de vidange est plongée dans l'eau (voir "Installation").
- L'évacuation murale n'a pas d'évent.

Si après ces vérifications, le problème persiste, fermer le robinet de l'eau, éteindre la machine et appeler le service Assistance. Si l'appartement est situé en étage dans un immeuble, il peut y avoir des phénomènes de siphonnage qui font que le lave-linge prend et évacue l'eau continuellement. Pour supprimer cet inconvénient, on trouve dans le commerce des soupapes spéciales anti-siphonnage.

Le lave-linge ne vidange pas et n'essore pas.

- Le programme ne prévoit pas de vidange: pour certains programmes, il faut la faire partir manuellement.
- Le tuyau de vidange est plié (voir "Installation").
- La conduite d'évacuation est bouchée.

Le lave-linge vibre beaucoup pendant l'essorage.

- Le tambour n'a pas été débloqué comme il faut lors de l'installation du lave-linge (voir "Installation").
- Le lave-linge n'est pas posé à plat (voir "Installation").
- Le lave-linge est coincé entre des meubles et le mur (voir "Installation").

Le lave-linge a des fuites.

- Le tuyau d'arrivée de l'eau n'est pas bien vissé (voir "Installation").
- Le tiroir à produits lessiviels est bouché (pour le nettoyer voir "Entretien et soin").
- Le tuyau de vidange n'est pas bien fixé (voir "Installation").

Les voyants des fonctions et le voyant START/PAUSE clignotent. Le voyant du phase de lavage et le voyant hublot bloqué restent fixes.

- Eteindre l'appareil et débrancher la fiche de la prise de courant, attendre 1 minute environ avant de rallumer.
Si l'anomalie persiste, appeler le service d'assistance.

Il y a un excès de mousse.

- Le produit de lavage utilisé n'est pas une lessive spéciale machine (il faut qu'il y ait l'inscription "pour lave-linge", "main et machine", ou autre semblable).
- La quantité utilisée est excessive.

Avant d'appeler le service après-vente:

- Vérifier si on ne peut pas résoudre l'anomalie par ses propres moyens (voir "Anomalies et Remèdes");
- Remettre le programme en marche pour contrôler si l'inconvénient a disparu;
- Autrement, contacter le Centre d'Assistance technique agréé au numéro de téléphone indiqué sur le certificat de garantie.

! Ne jamais s'adresser à des techniciens non agréés.

Communiquer:

- le type de panne;
- le modèle de l'appareil (Mod.);
- son numéro de série (S/N).

Ces informations se trouvent sur la plaque signalétique apposée à l'arrière du lave-linge et à l'avant quand on ouvre la porte hublot.

RÈGLEMENT DÉLÉGUÉ (UE) N o 1061/2010 DE LA COMMISSION	
Marque	INDESIT
Modèle	IWUD 41051 C ECO EU
Capacité nominale en kg de coton	4
Classe énergétique sur une échelle de A+++ (faible consommation) à G (consommation élevée)	A+
Consommation d'énergie par année en kWh ¹⁾	140
Consommation d'énergie d'un programme coton standard à 60°C et à pleine charge en kWh ²⁾	0.77
Consommation d'énergie d'un programme coton standard à 60°C et à demi-charge en kWh ²⁾	0.502
Consommation d'énergie d'un programme coton standard à 40°C et à demi-charge en kWh ²⁾	0.431
Consommation d'énergie en mode "off" en W	0.5
Consommation d'énergie en mode "on" en W	8
Consommation d'eau par an en litres ³⁾	5720
Classe d'efficacité d'essorage sur une échelle de G (efficacité minimum) à A (efficacité maximum)	C
Vitesse d'essorage maximum ⁴⁾	1000
Taux d'humidité résiduelle (en %) ⁵⁾	62.0%
Durée du « programme coton standard à 60°C » à pleine charge en minutes	145
Durée du « programme coton standard à 60°C » à demi-charge en minutes	115
Durée du « programme coton standard à 40°C » à demi-charge en minutes	110
Durée du mode laissé en marche en minutes	30
Émissions acoustiques dans l'air, exprimées en dB(A) re 1 pW en phase de lavage ⁶⁾	59
Émissions acoustiques dans l'air, exprimées en dB(A) re 1 pW en phase d'essorage ⁶⁾	79
Encastrable	

¹⁾ Le programme "coton standard 60°C" pleine et demi-charge et le programme "coton standard 40°C" demi-charge sont les programmes de lavage standard auxquels se rapportent les informations qui figurent sur l'étiquette et sur la fiche. Ils conviennent pour laver du linge en coton normalement sale, et il s'agit des programmes les plus efficaces en termes de consommation combinée d'eau et d'énergie. La demi-charge correspond à la moitié de la charge nominale.

²⁾ Sur la base de 220 cycles de lavage standard pour les programmes coton à 60°C et à 40°C à pleine et à demi-charge, et de la consommation des modes à faible puissance. La consommation réelle d'énergie dépend des conditions d'utilisation de l'appareil.

³⁾ Sur la base de 220 cycles de lavage standard pour les programmes coton à 60°C et à 40°C à pleine et à demi-charge. La consommation réelle d'eau dépend des conditions d'utilisation de l'appareil.

⁴⁾ Pour le programme standard à 60°C à pleine ou demi-charge, ou le programme standard à 40°C à demi-charge, la valeur la plus faible des deux étant retenue.

⁵⁾ Atteint avec le programme coton à 60°C à pleine et demi-charge, ou le programme coton à 40°C à demi-charge, la valeur la plus élevée des deux étant retenue.

⁶⁾ Sur la base des phases de lavage et d'essorage pour le programme coton standard à 60°C à pleine charge.

Изготовитель –
 ЗАО «ИНДЕЗИТ ИНТЕРНЭШНЛ».
 РОССИЯ, 398040, г. Липецк, пл. Металлургов, 2
 ЗАО «ИНДЕЗИТ ИНТЕРНЭШНЛ».
 Служба сервиса тел. (4742) 42-41-00
www.indesit.com